



US00D418682S

United States Patent [19] Crane

[11] Patent Number: **Des. 418,682**

[45] Date of Patent: **** Jan. 11, 2000**

[54] **SWEATER AND CLOTHING TREATMENT TOOL**

[76] Inventor: **Carl R. Crane**, 4712 Admiralty Way, Suite 533, Marina del Rey, Calif. 90292

[**] Term: **14 Years**

[21] Appl. No.: **29/100,254**

[22] Filed: **Feb. 8, 1999**

[51] **LOC (7) Cl.** **04-02**

[52] **U.S. Cl.** **D4/129; D4/137; D32/52**

[58] **Field of Search** D4/129, 137, 138; D32/40, 52; 15/208, 209.1, 210.1, 143.1, 244.1, 104.002, 235.4; D8/45, 90

[56] **References Cited**

U.S. PATENT DOCUMENTS

D. 196,959	11/1963	Huch	D4/129
D. 200,151	1/1965	Martin	D4/137
D. 205,929	10/1966	Morgan	D4/137
D. 222,792	12/1971	Krusche et al.	D4/137
D. 236,071	7/1975	Zemke	D32/52
D. 247,143	2/1978	Rivas	D4/137

D. 274,388	6/1984	Colemore-Williams	D4/129
D. 328,374	7/1992	Goin	D32/45
D. 360,763	8/1995	Camp, Jr. et al.	D4/138
D. 369,472	5/1996	Laubach, III et al.	D4/138
5,036,561	8/1991	Calafut	15/105
5,781,956	7/1998	Kelsay et al.	15/143.1

Primary Examiner—Alan P. Douglas
Assistant Examiner—Lavone D. Tabor
Attorney, Agent, or Firm—Cislo & Thomas LLP

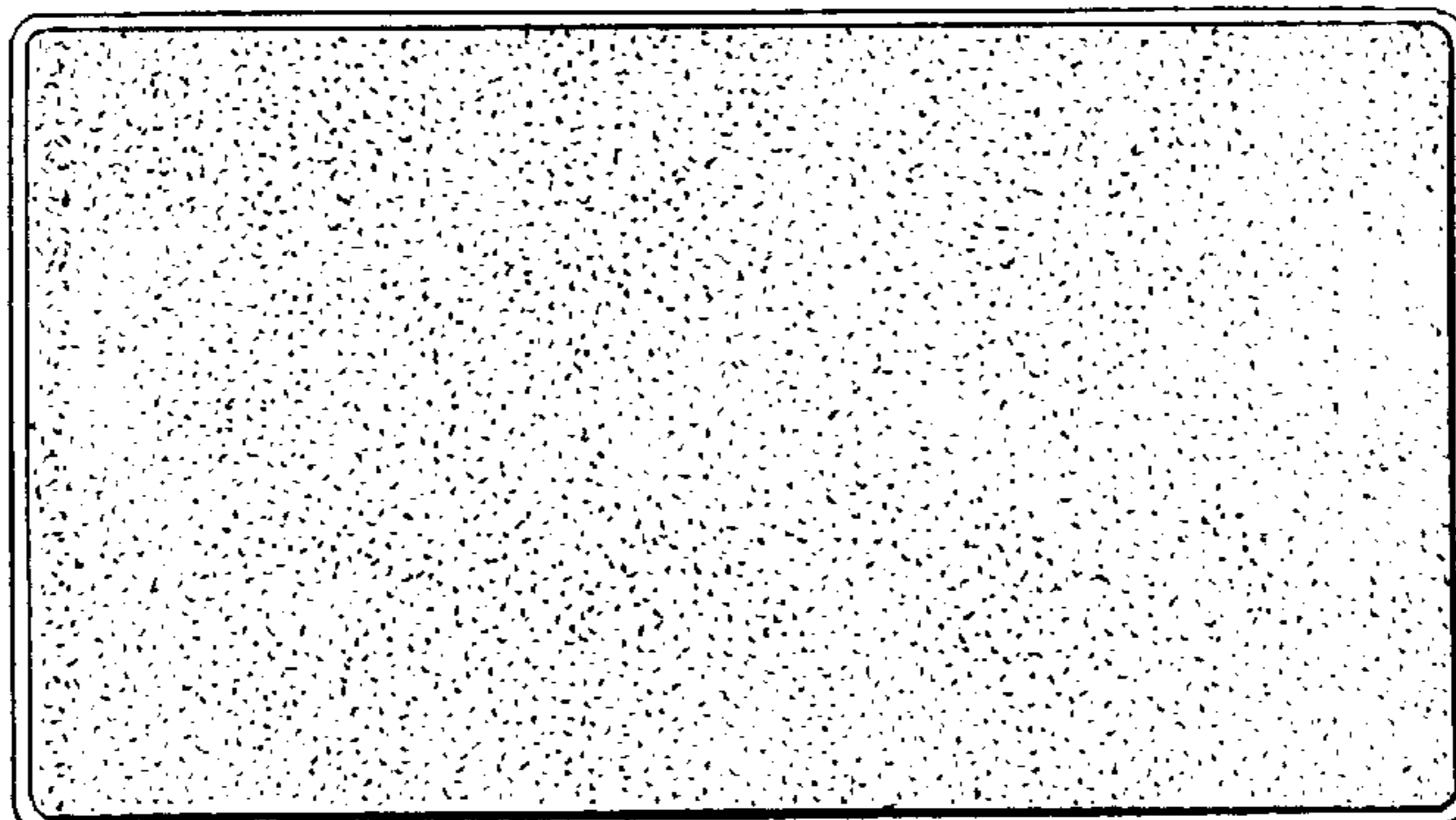
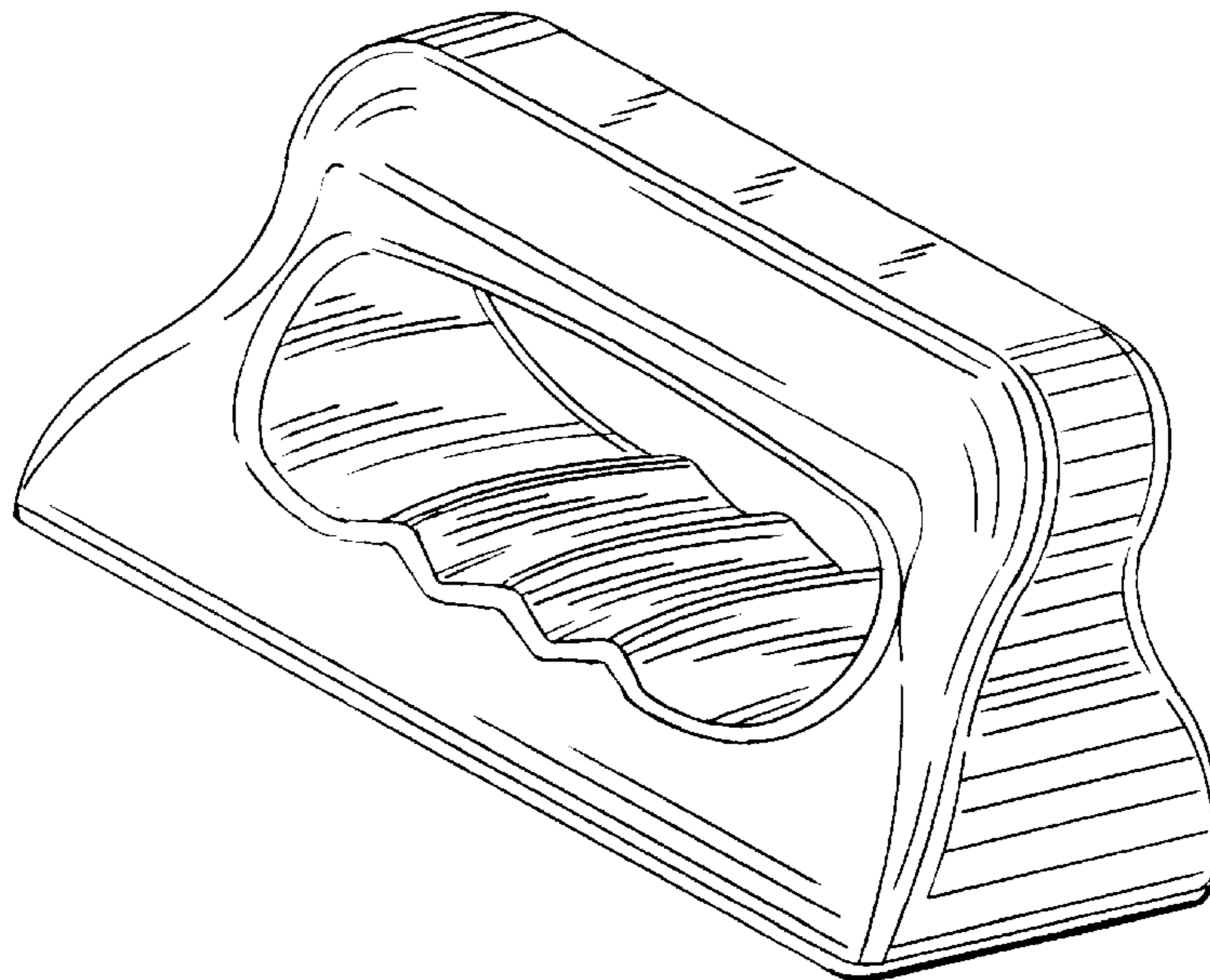
[57] **CLAIM**

The ornamental design for a sweater and clothing treatment tool, as shown and described.

DESCRIPTION

FIG. 1. is a perspective view of my new design for a sweater and clothing treatment tool;
FIG. 2. is a left side elevational view with the right side elevational view being a mirror image thereof;
FIG. 3. is a front elevational view thereof with the rear elevational view being a mirror image thereof;
FIG. 4. is a top plan view thereof; and,
FIG. 5. is a bottom plan view thereof.

1 Claim, 2 Drawing Sheets



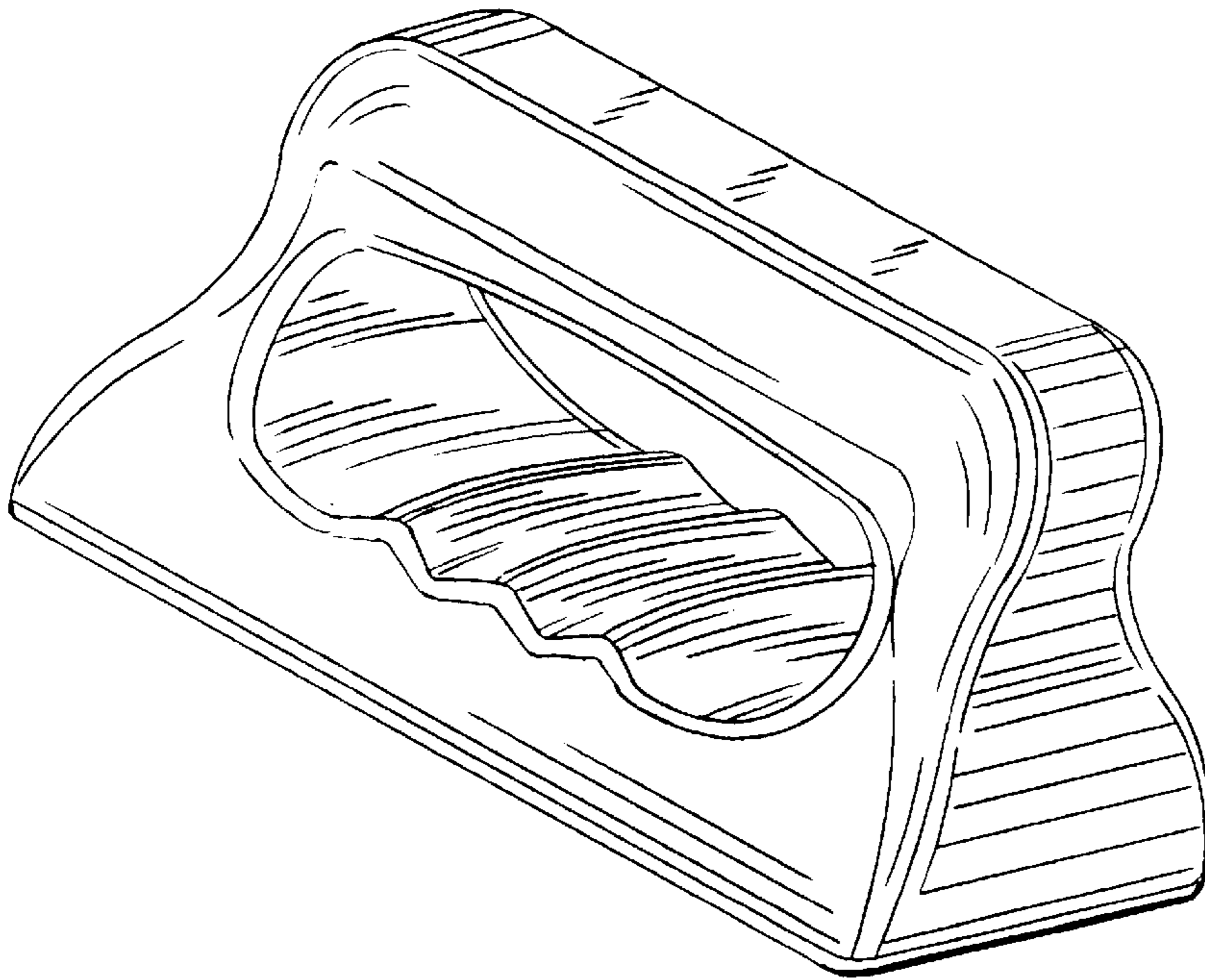


FIG. 1

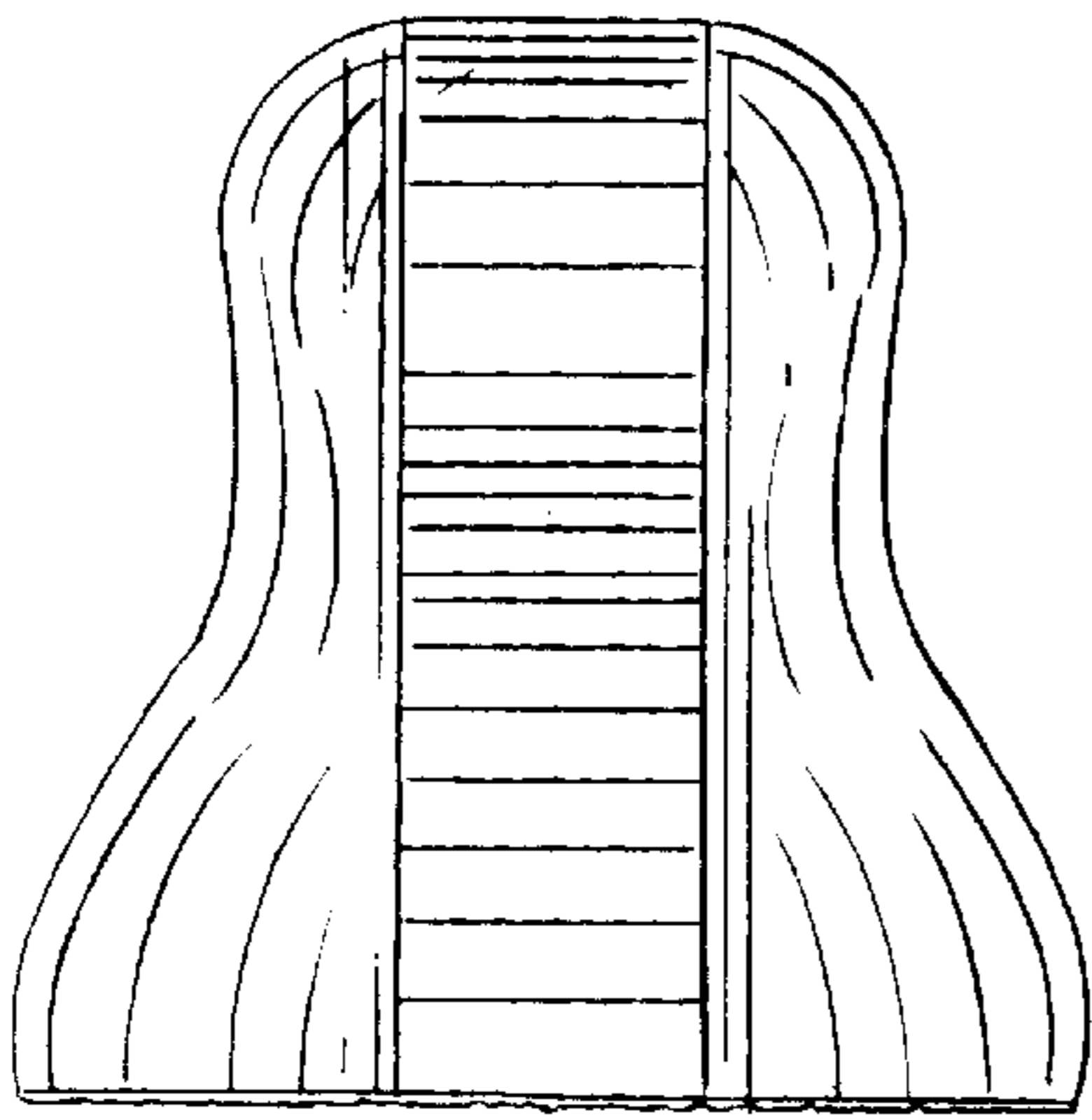
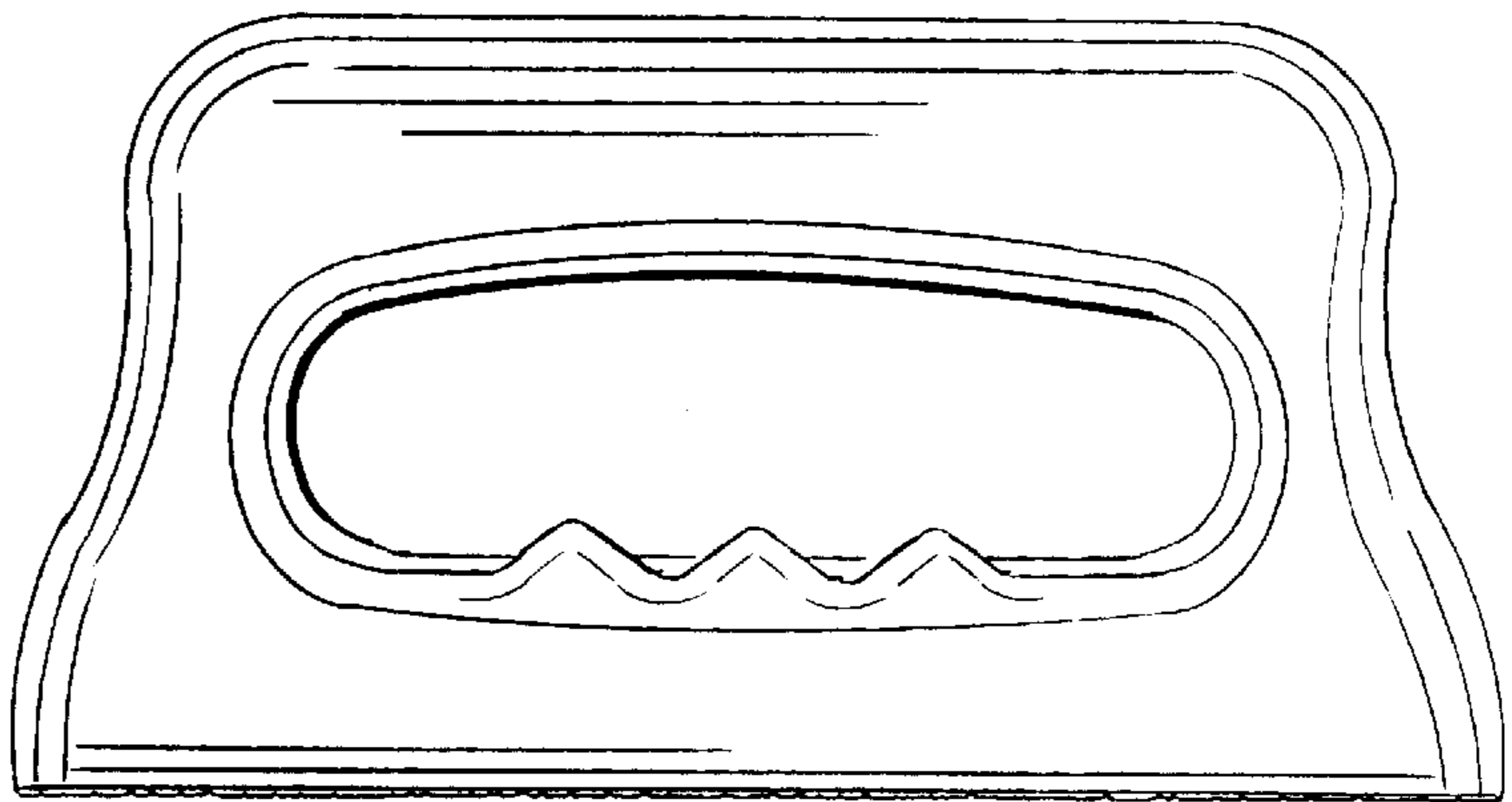


FIG. 2

FIG. 3



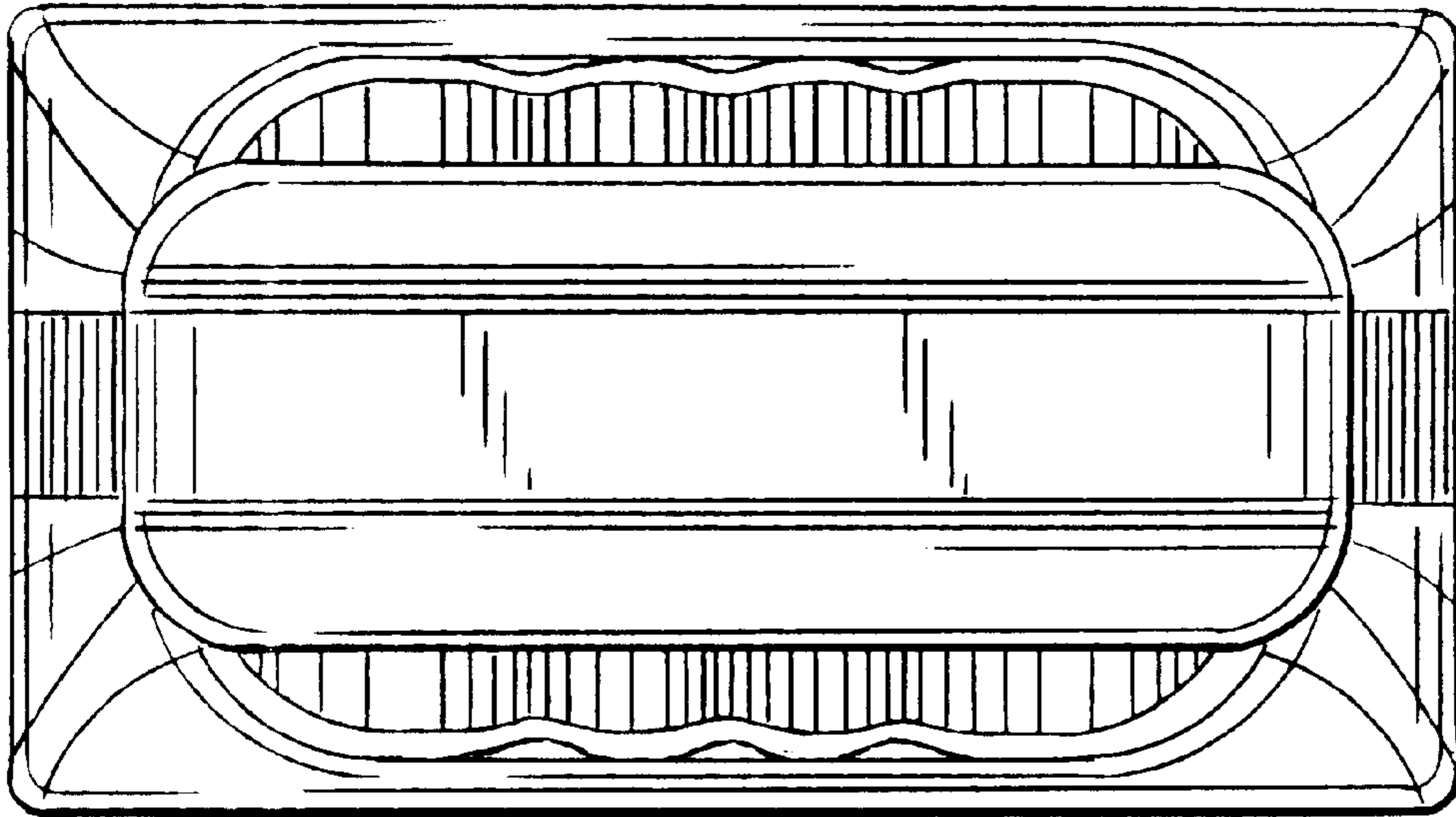


FIG. 4

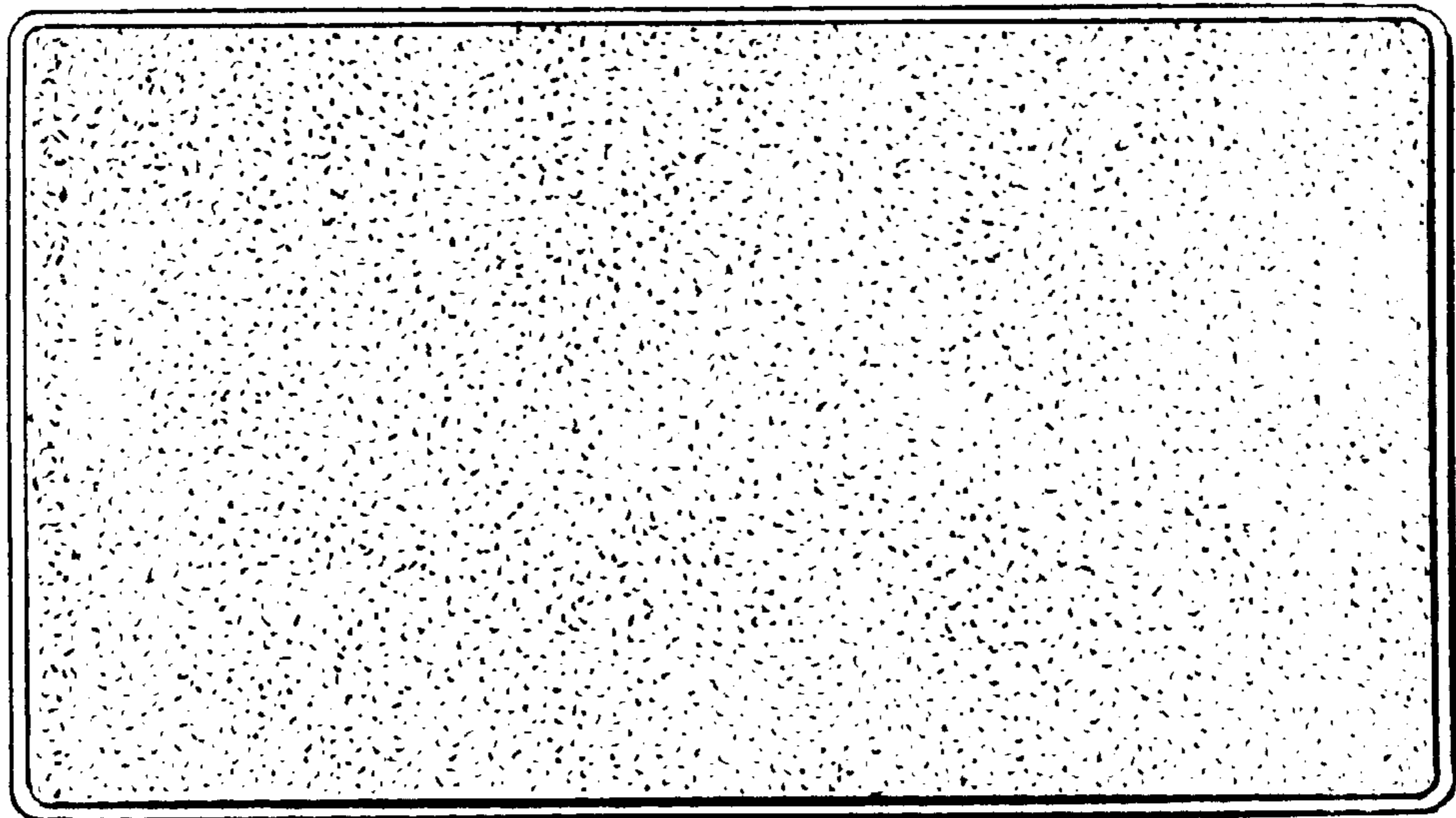


FIG. 5