



US00D418680S

United States Patent [19] du Sartel

[11] **Patent Number: Des. 418,680**

[45] **Date of Patent: ** Jan. 11, 2000**

[54] **HANDBAG**

[75] Inventor: **Vincent du Sartel**, Paris, France

[73] Assignee: **Louis Vuitton Malletier, S.A.**, Paris, France

[**] Term: **14 Years**

[21] Appl. No.: **29/100,880**

[22] Filed: **Feb. 19, 1999**

[30] Foreign Application Priority Data

Aug. 21, 1998 [FR] France DM/044929

[51] **LOC (7) Cl.** **03-01**

[52] **U.S. Cl.** **D3/303; D3/232; D3/245; D3/246**

[58] **Field of Search** D3/232, 248, 246, D3/303; 150/118; 190/115; 383/6, 15, 16, 18, 97

[56] References Cited

U.S. PATENT DOCUMENTS

D. 135,734 5/1943 Hickman et al. D3/303

D. 403,159	12/1998	Bellehchile	D3/232 X
1,375,070	4/1921	Wheildon	383/15
1,741,527	12/1929	Lackey	383/18
2,045,354	6/1936	Haven	383/6
3,180,385	4/1965	Kuroda	150/118
5,699,564	12/1997	Heh	383/6
5,810,166	9/1998	Weinreb	383/97

Primary Examiner—Stella Reid
Assistant Examiner—Monica A. Weingart
Attorney, Agent, or Firm—Finnegan, Henderson, Farabow, Garrett & Dunner, L.L.P.

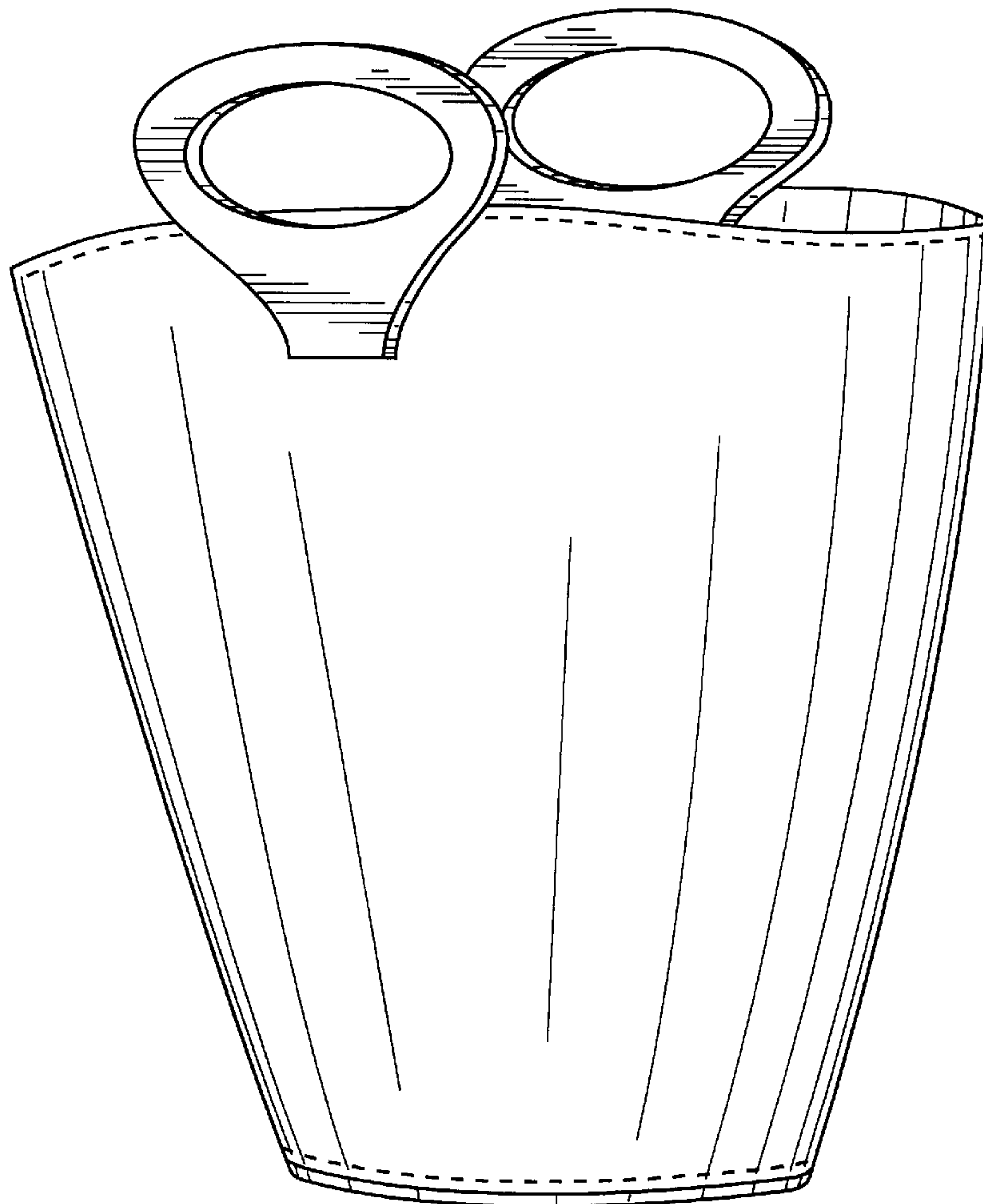
[57] CLAIM

The ornamental design for a handbag, as shown and described.

DESCRIPTION

FIG. 1 is a left side perspective view of the new design; FIG. 2 is the right side view of the design of FIG. 1, the left side view being a mirror image thereof; FIG. 3 is the top view; FIG. 4 is the end view thereof, with the opposite end view being a mirror image thereof; and, FIG. 5 is the bottom view.

1 Claim, 3 Drawing Sheets



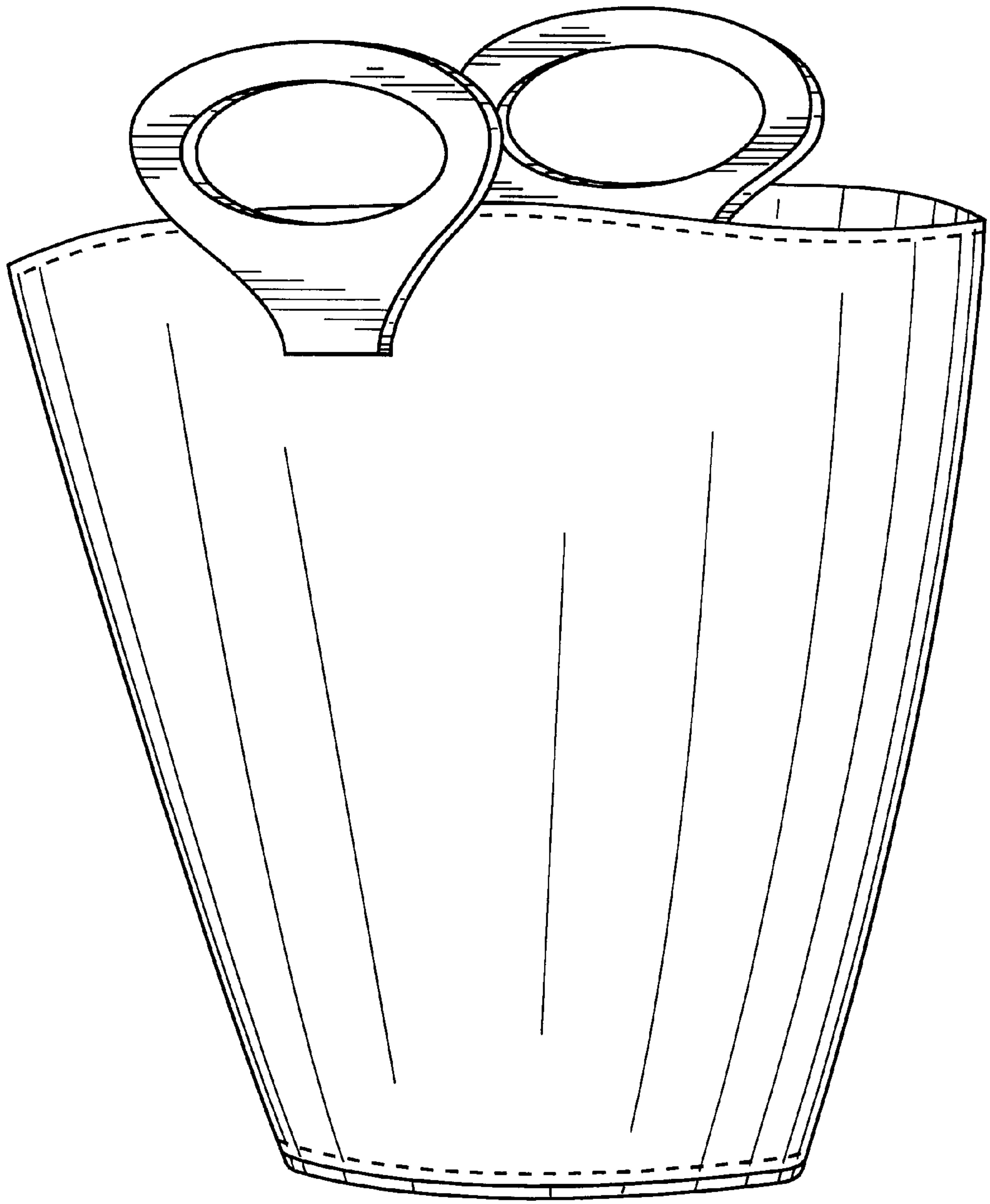


FIG. 1

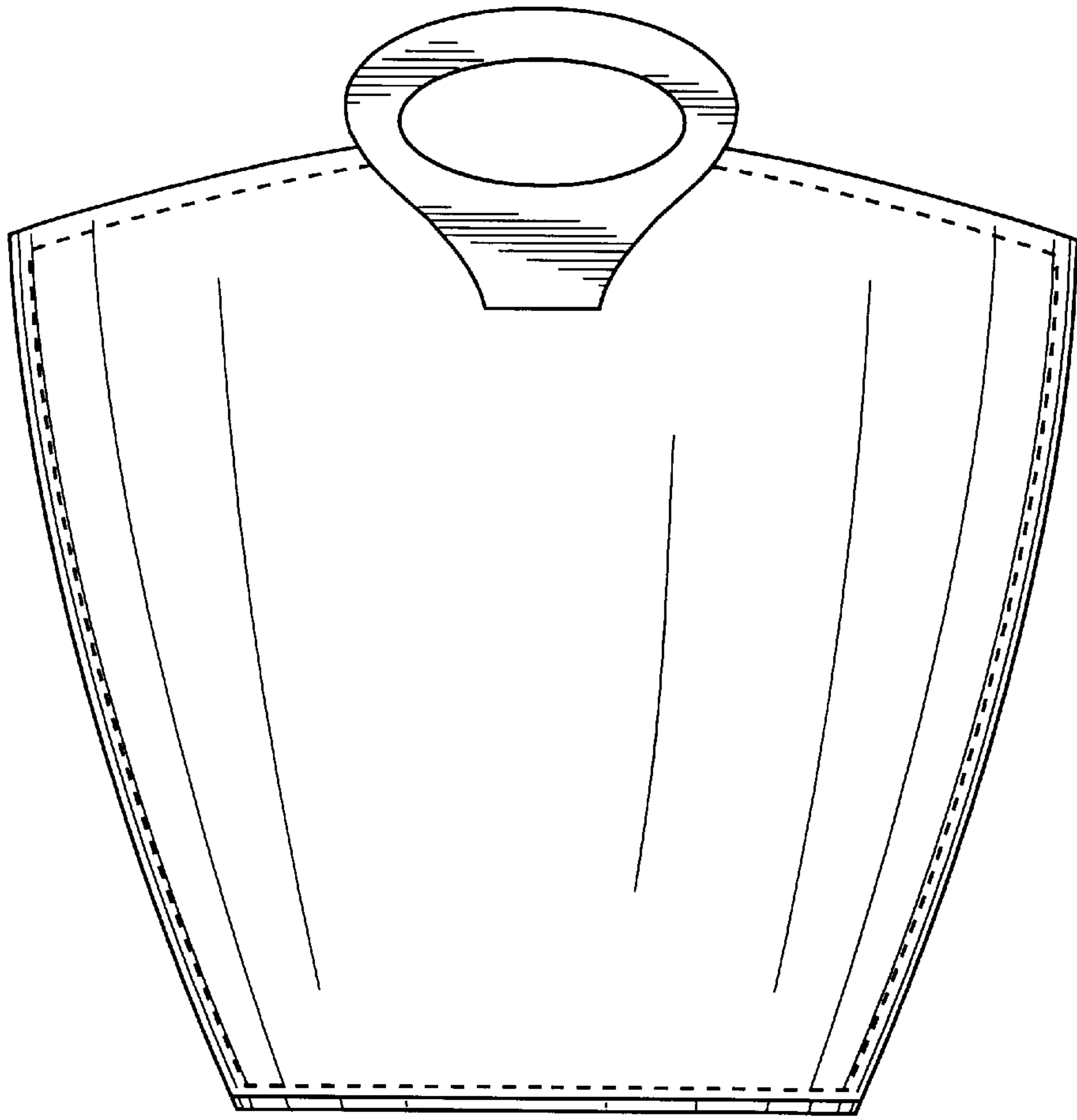


FIG. 2

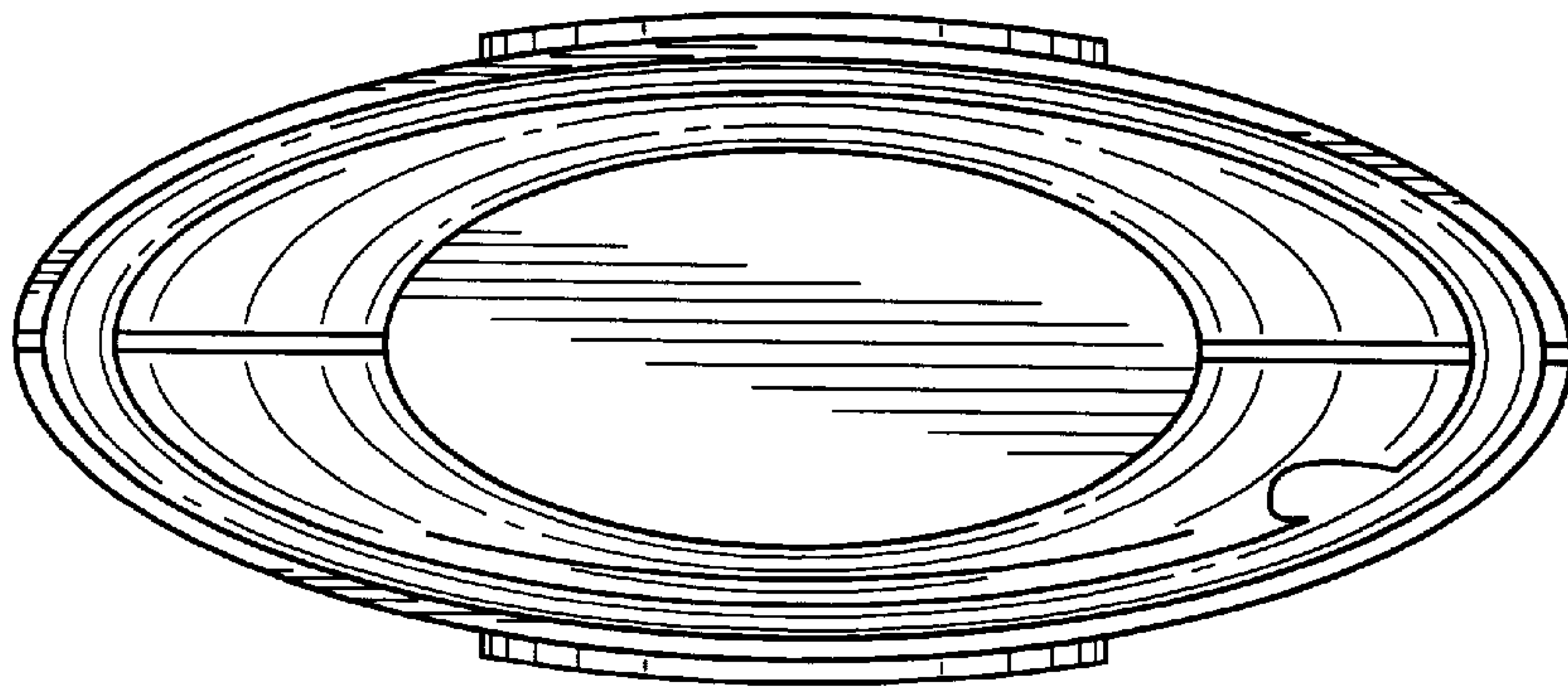


FIG. 3

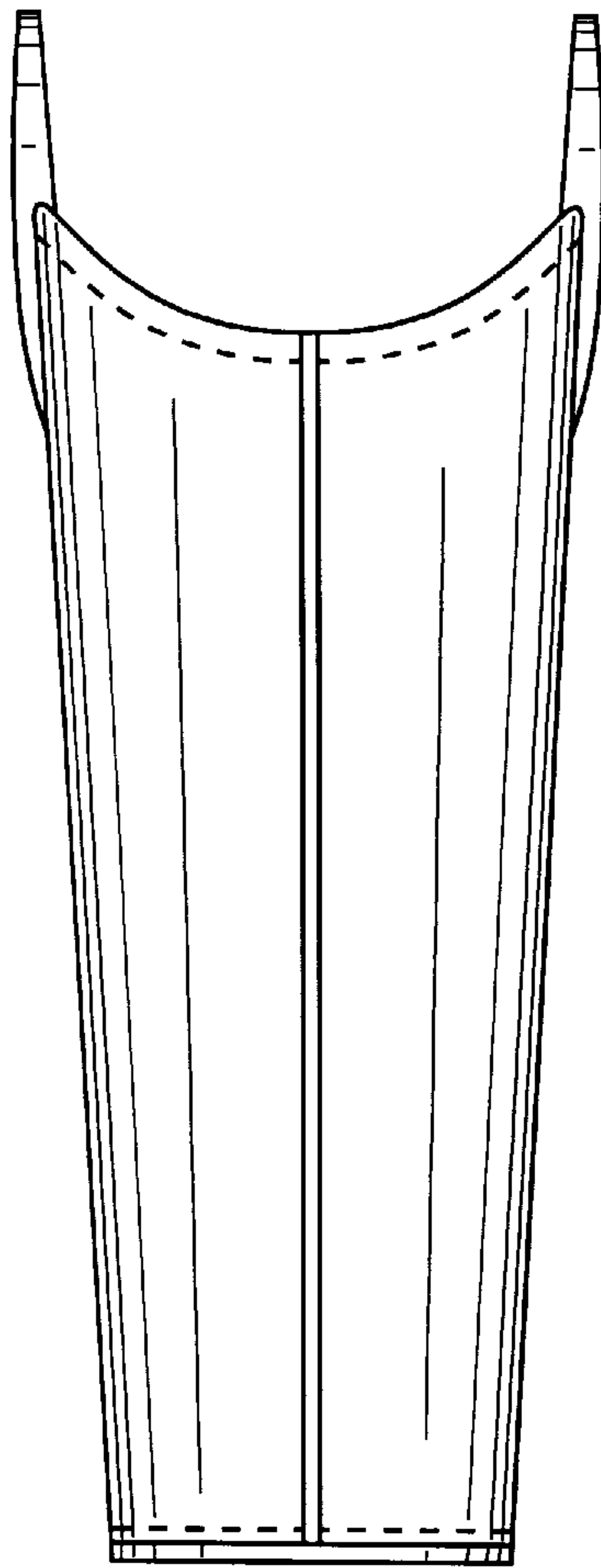


FIG. 4

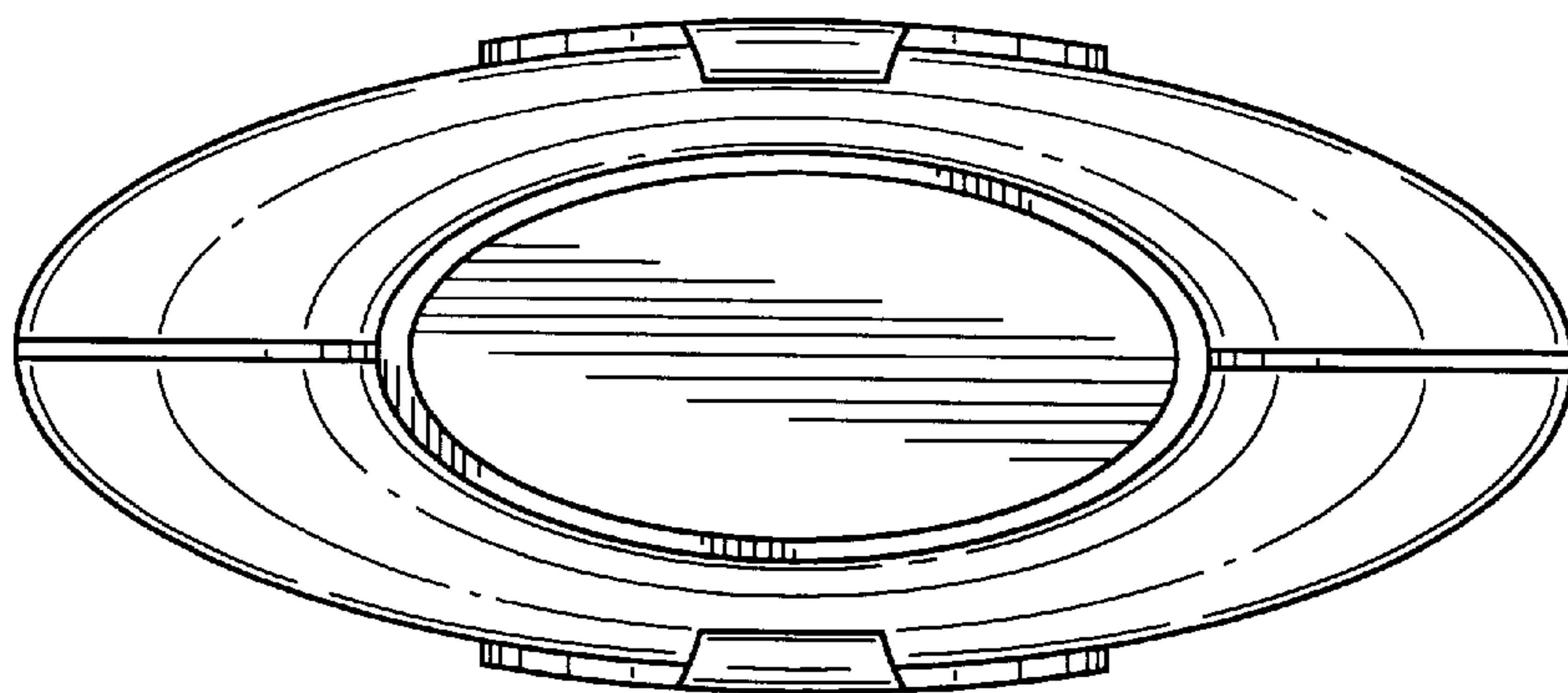


FIG. 5