



US00D418678S

United States Patent [19]

[11] Patent Number: **Des. 418,678**

Robson

[45] Date of Patent: **** Jan. 11, 2000**

[54] **KIT BOX**

[75] Inventor: **Nigel Robson**, Durham, United Kingdom

[73] Assignee: **Black & Decker, Inc.**, Newark, Del.

[**] Term: **14 Years**

D. 353,048	12/1994	VanSkiver et al.	D3/276
D. 353,265	12/1994	Newby, Sr.	D3/269
D. 358,709	5/1995	Chang	D3/282
D. 364,957	12/1995	Turbowitz	D3/276
D. 368,371	4/1996	Calmeise	D3/276
D. 373,022	8/1996	Sagol	D3/279
D. 374,771	10/1996	Guegan et al.	D3/276
D. 377,714	2/1997	Fenton et al.	D3/260

(List continued on next page.)

[21] Appl. No.: **29/092,465**

[22] Filed: **Aug. 19, 1998**

[30] Foreign Application Priority Data

Mar. 6, 1998 [GB] United Kingdom 2073029

[51] **LOC (7) Cl.** **03-01**

[52] **U.S. Cl.** **D3/282; D3/905**

[58] **Field of Search** D3/272, 273, 276, D3/281, 282, 291, 294, 905; 206/349, 372, 373, 315.1; 190/110, 111, 112, 113, 114, 115

[56] References Cited

U.S. PATENT DOCUMENTS

D. 62,042	3/1923	Yarder	D3/905
D. 194,339	1/1963	Harty, Jr. et al.	D3/282
D. 205,579	8/1966	Schurman	D3/281
D. 220,151	3/1971	Waters	.	
D. 220,233	3/1971	Schurman	.	
D. 221,317	7/1971	Muller	D3/282
D. 222,012	9/1971	Harris	D3/282
D. 236,291	8/1975	Schurman	.	
D. 257,191	10/1980	Wilcox	D3/282
D. 260,454	9/1981	Pepicelli, Jr. et al.	D3/282
D. 260,456	9/1981	Davies et al.	D3/282
D. 286,231	10/1986	Werk	D3/281
D. 294,776	3/1988	Gander et al.	D3/282
D. 300,036	2/1989	Mariol	D3/282
D. 306,936	4/1990	McMillan	.	
D. 309,143	7/1990	Yang	D3/281
D. 314,667	2/1991	Hussain	D3/282
D. 321,433	11/1991	Dickinson	D3/905
D. 321,985	12/1991	Ward	D3/282
D. 328,189	7/1992	Hillinger	D3/282
D. 331,836	12/1992	Newby, Sr.	D3/905
D. 346,825	5/1994	Ros	D3/281
D. 347,731	6/1994	Hayakawa et al.	D3/282

FOREIGN PATENT DOCUMENTS

252759	12/1987	Germany	.
28804317	8/1990	Germany	.
8906945	12/1990	Germany	.
9004761	4/1991	Germany	.
022097	2/1992	Germany	.
9204522	12/1992	Germany	.
025421	3/1993	Germany	.
030317	8/1994	Germany	.

OTHER PUBLICATIONS

ZAG Quality by Design Brochure showing several kit boxes. Date Unknown.

Primary Examiner—Philip S. Hyder
Attorney, Agent, or Firm—Bruce S. Shapiro; Dennis A. Dearing; John D. Del Ponti

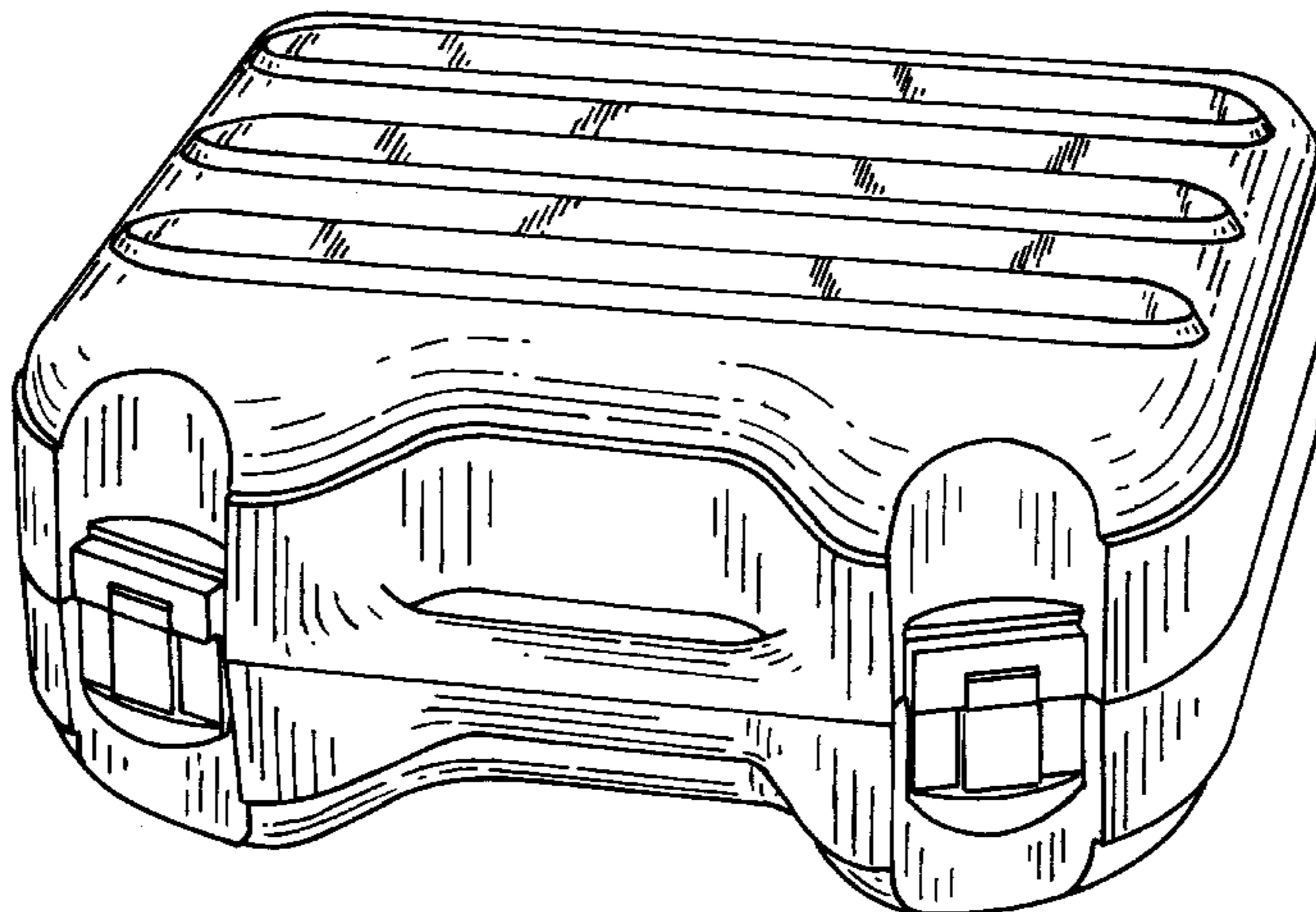
[57] CLAIM

The ornamental design for a kit box, as shown and described.

DESCRIPTION

FIG. 1 is a front perspective view of a kit box showing my new design;
FIG. 2 is a top plan view thereof;
FIG. 3 is a bottom plan view thereof;
FIG. 4 is a front elevational view thereof;
FIG. 5 is a rear elevational view thereof;
FIG. 6 is a left side elevational view thereof; and,
FIG. 7 is a right side elevational view thereof.

1 Claim, 5 Drawing Sheets



U.S. PATENT DOCUMENTS

D. 379,715	6/1997	Yemini	D3/282	4,244,612	1/1981	Schurman .	
D. 382,115	8/1997	Chang	D3/282	4,340,139	7/1982	Wilcox et al.	206/349
D. 384,501	10/1997	Rosen	D3/276	4,703,852	11/1987	Verdier	206/349
D. 385,110	10/1997	Yemini	D3/282	4,773,536	9/1988	Rau	206/379
D. 390,358	2/1998	Calmeise	D3/282	4,917,239	4/1990	Smith	206/349
D. 391,760	3/1998	Zeller	D3/276	4,927,021	5/1990	Taylor	206/373
3,317,076	5/1967	Enders .		4,998,616	3/1991	Hillinger	206/45.11
3,730,576	5/1973	Schurman .		5,145,064	9/1992	Chen	206/372
3,933,381	1/1976	Schurman .		5,533,843	7/1996	Chung	206/349
				5,579,947	12/1996	Yemini .	

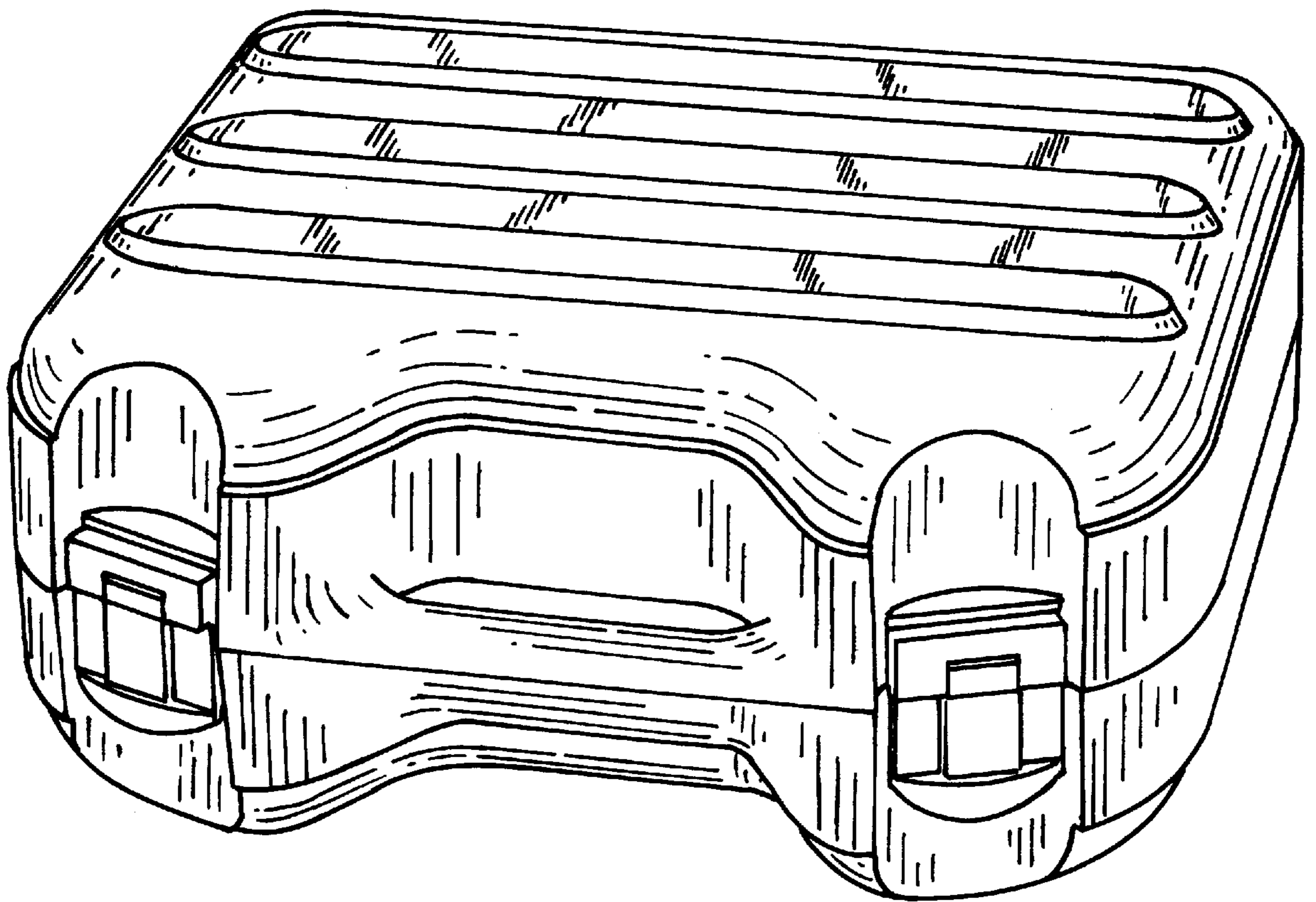


FIG.1

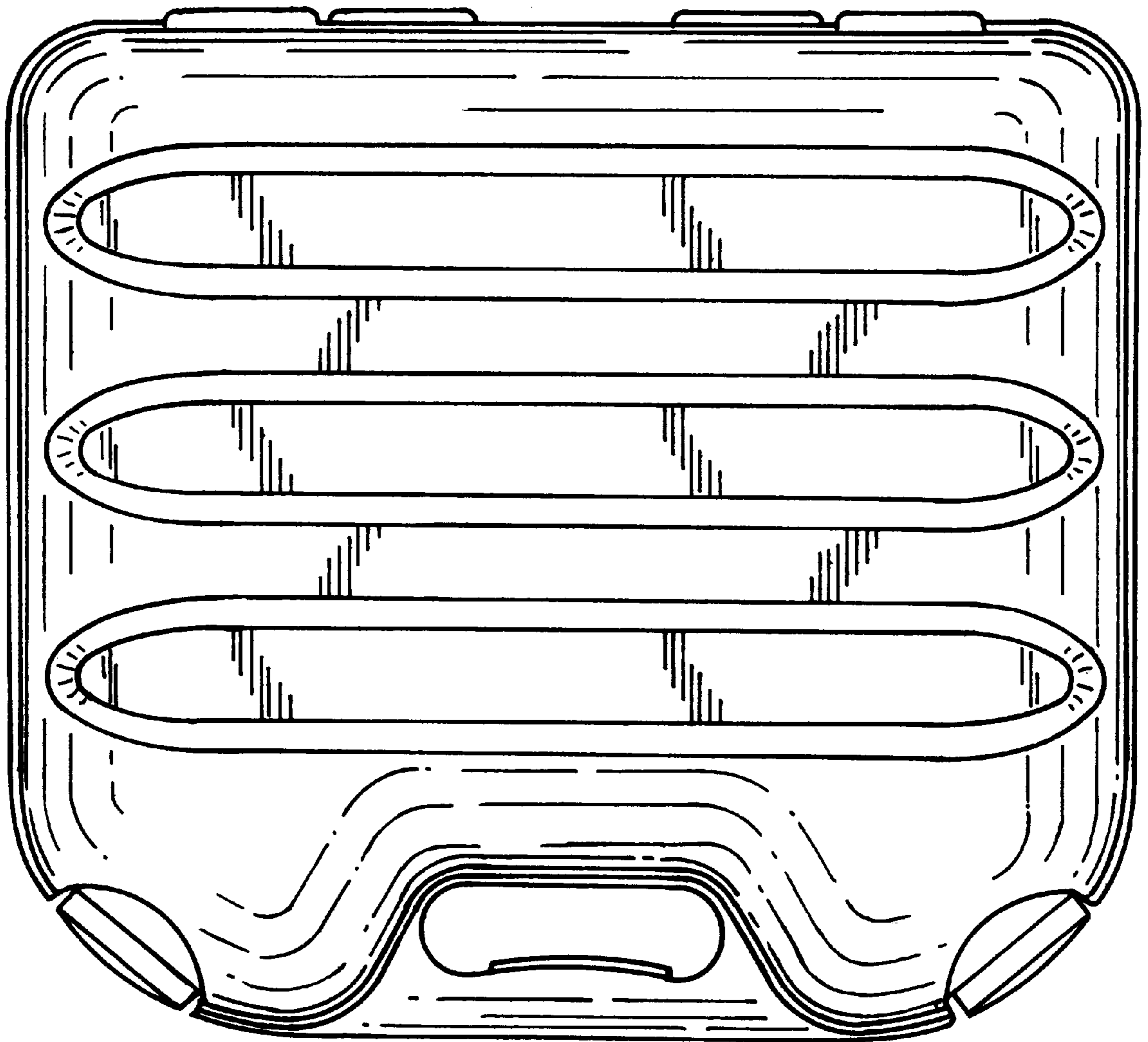


FIG.2

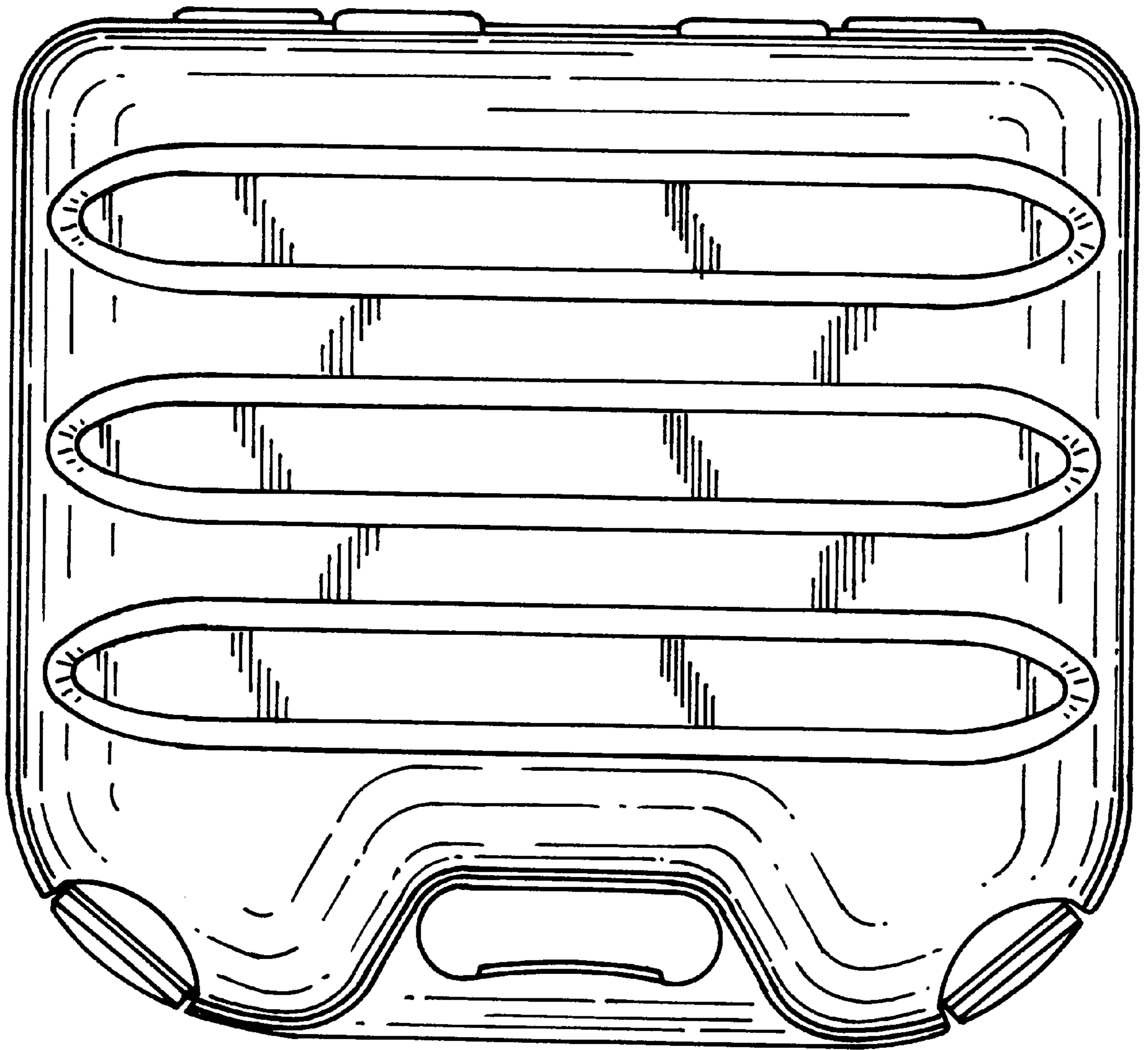


FIG.3

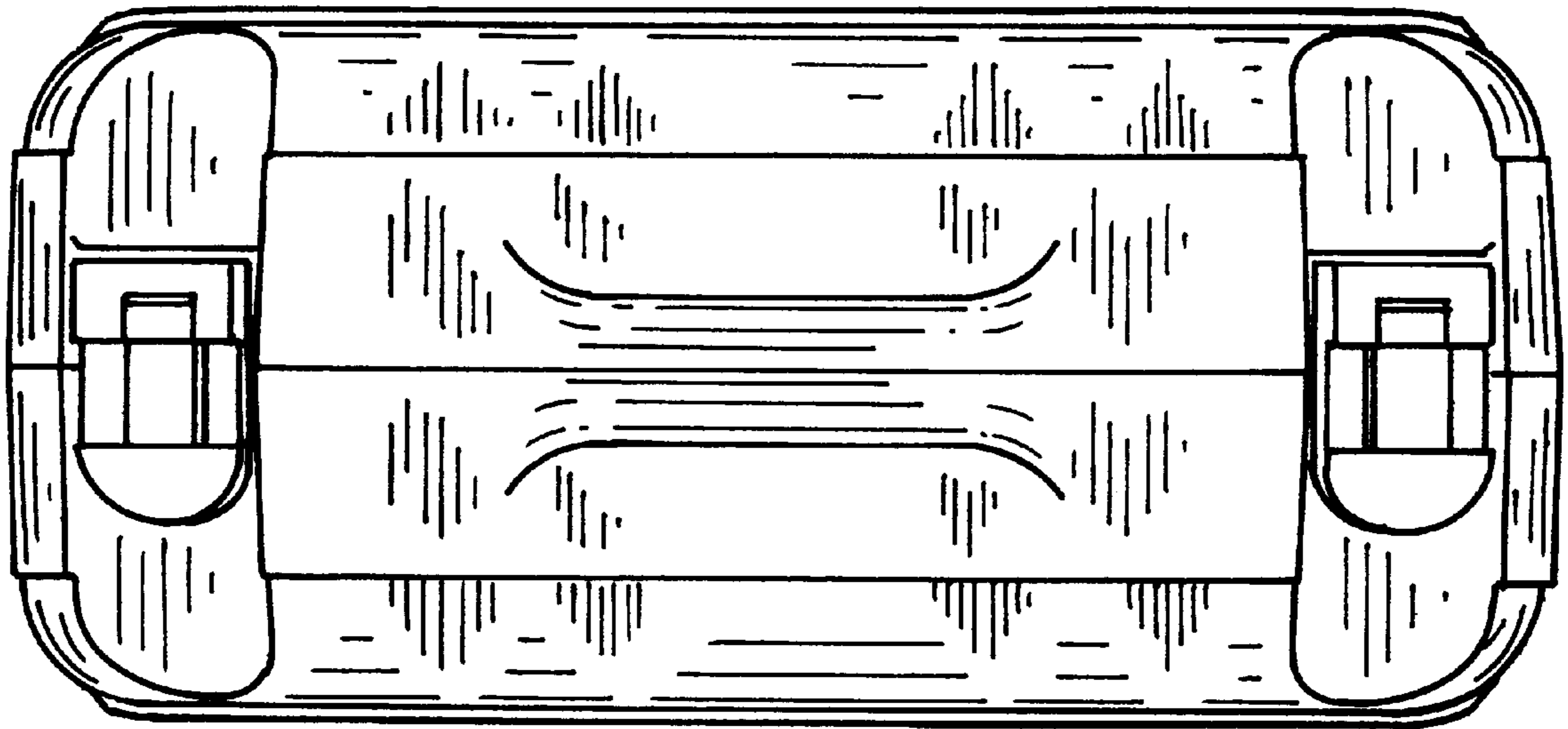


FIG. 4

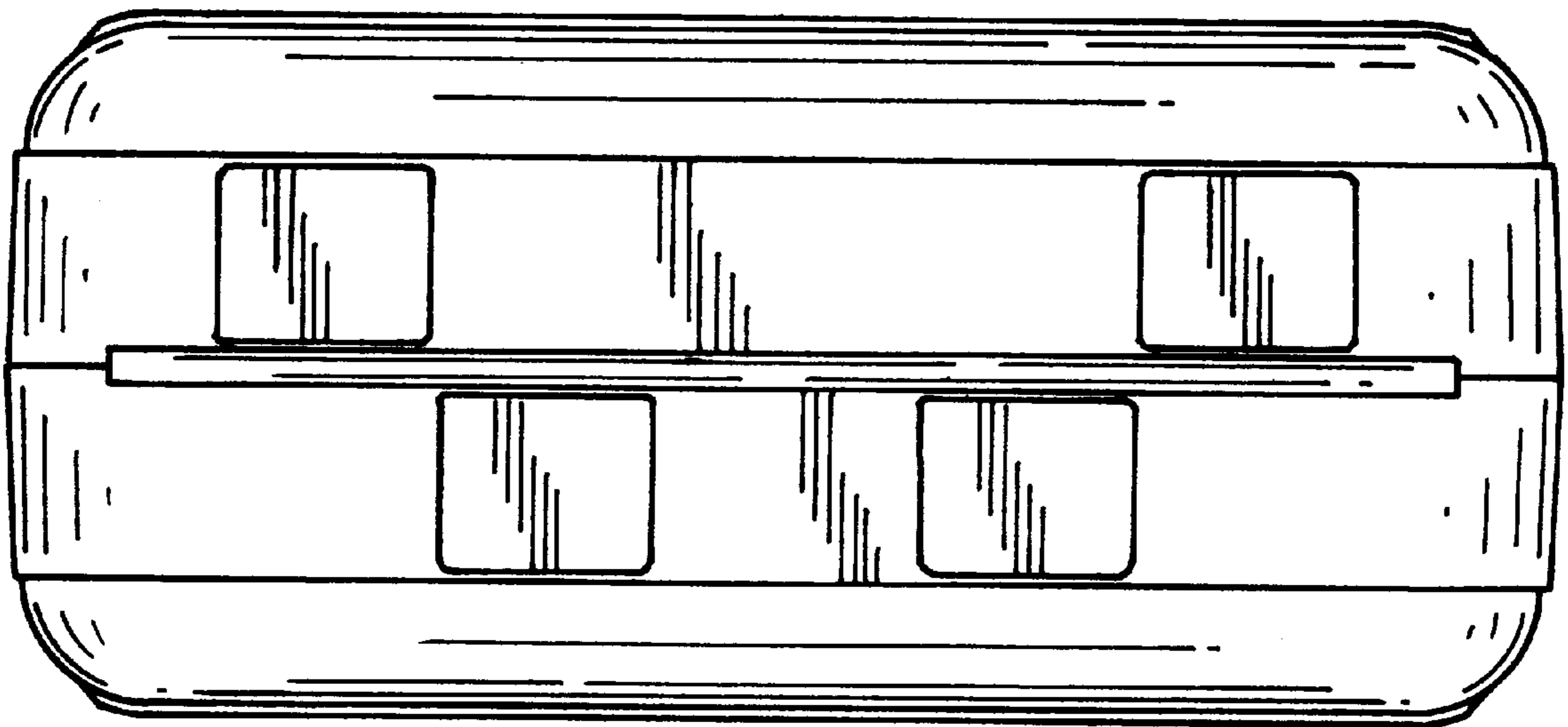


FIG. 5

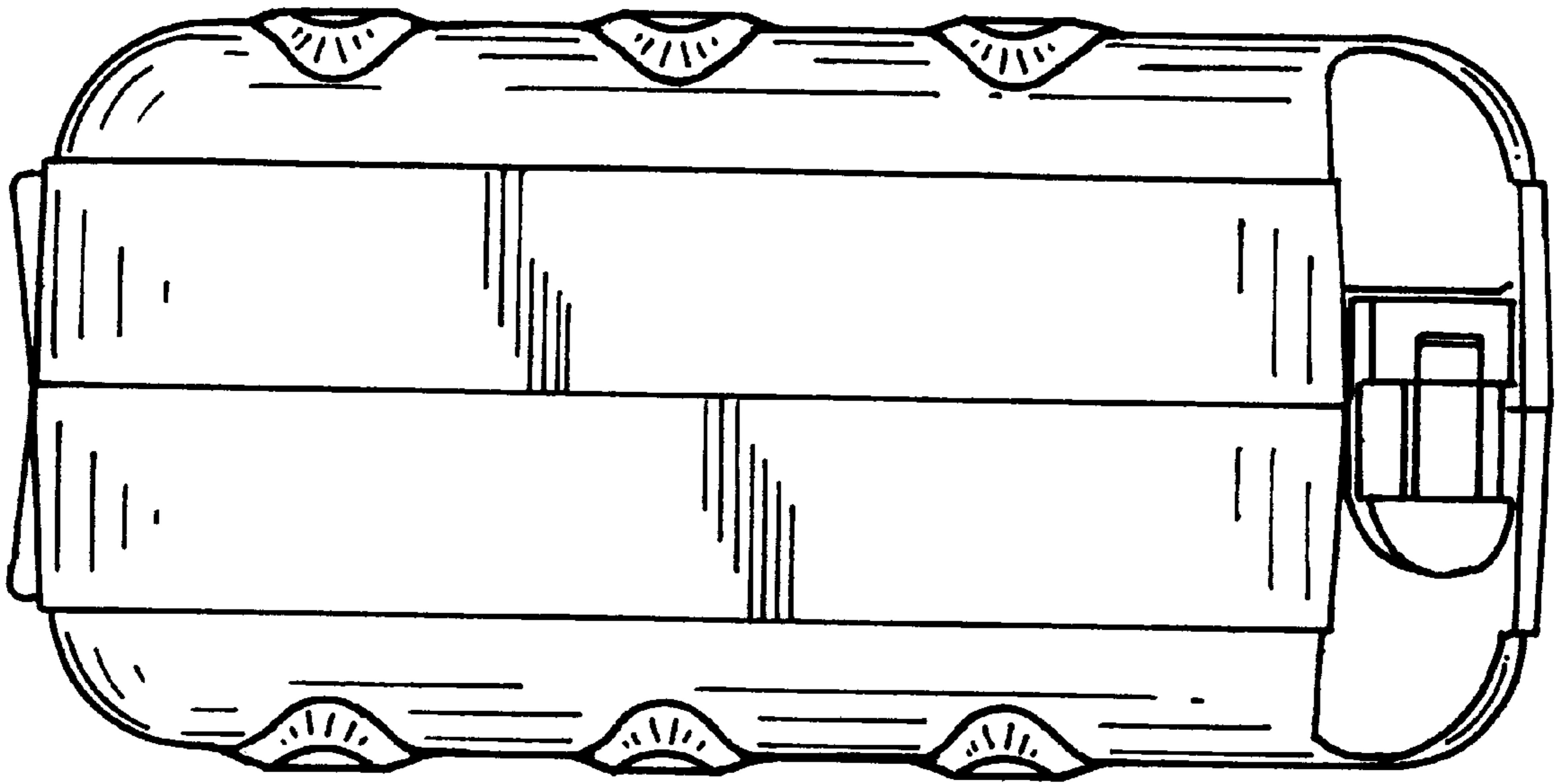


FIG. 6

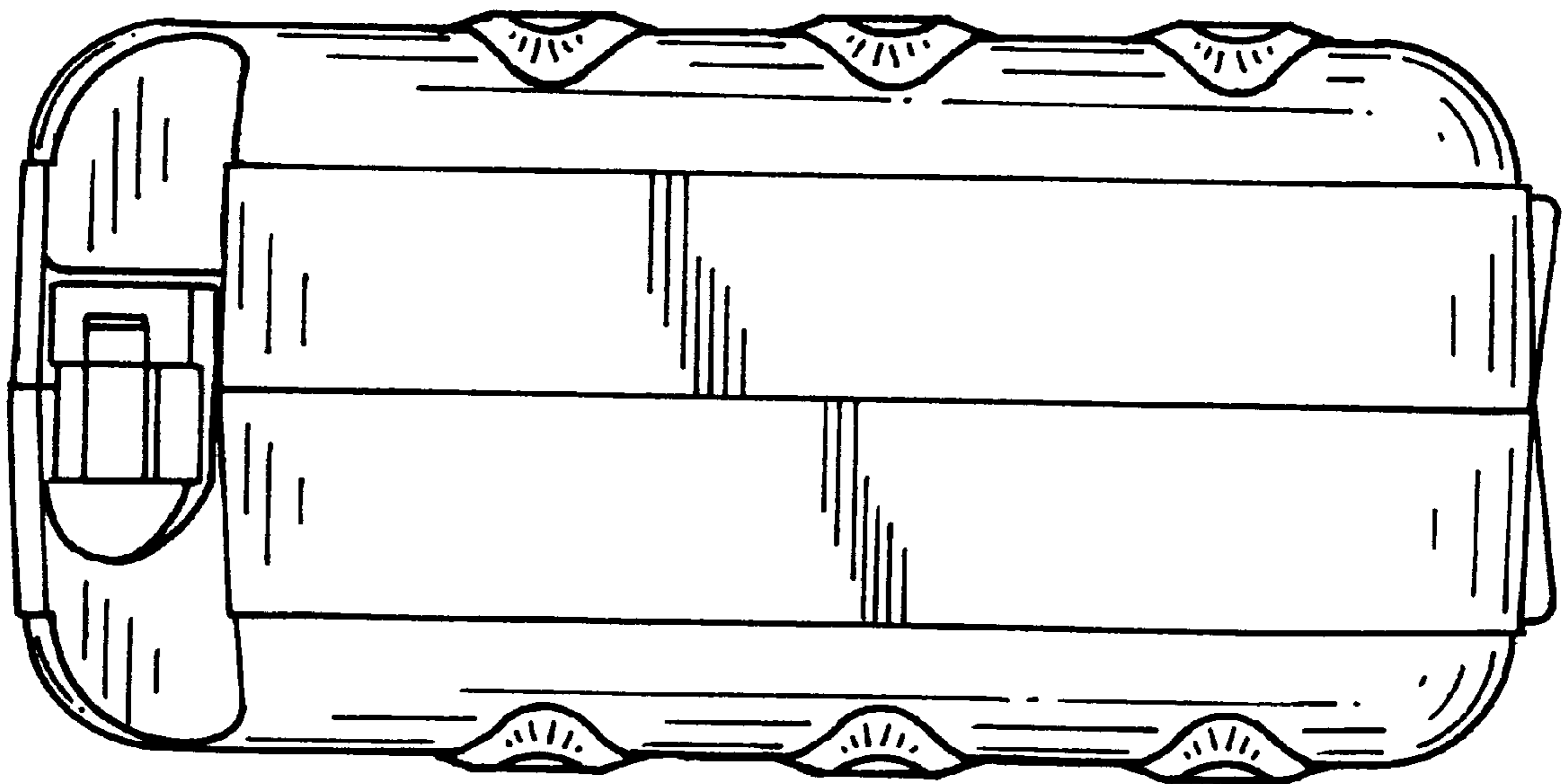


FIG. 7