



US00D418677S

United States Patent [19] Sijmons

[11] **Patent Number: Des. 418,677**
[45] **Date of Patent: ** Jan. 11, 2000**

[54] **SHINY MOLDED LUGGAGE CASE**

[75] Inventor: **Erik Josef Leo Dominique Sijmons,**
Oudenaarde, Belgium

[73] Assignee: **Samsonite Corporation,** Denver, Colo.

[**] Term: **14 Years**

[21] Appl. No.: **29/093,487**

[22] Filed: **Sep. 11, 1998**

Related U.S. Application Data

[63] Continuation-in-part of application No. 29/091,367, Jul. 28, 1998.

[51] **LOC (7) Cl. 03-01**

[52] **U.S. Cl. D3/273; D3/276; D3/900**

[58] **Field of Search D3/273, 276, 281,**
D3/282, 279, 294, 900; 190/100, 110, 111,
112, 113, 114, 115

[56] References Cited

U.S. PATENT DOCUMENTS

D. 309,215 7/1990 Wei-Mu D3/279
D. 309,980 8/1990 King D3/279
D. 310,450 9/1990 Castelli et al. D3/279

D. 322,359 12/1991 Diefenbach D3/279
D. 329,138 9/1992 Hsieh D3/900
D. 333,914 3/1993 Van Hove et al. D3/279
D. 351,282 10/1994 Masaru D3/279
D. 352,168 11/1994 Aumasson D3/276
D. 372,796 8/1996 Ferris D3/276
D. 373,246 9/1996 Stokes et al. D3/279

Primary Examiner—Philip S. Hyder
Attorney, Agent, or Firm—Gregory W. O'Connor

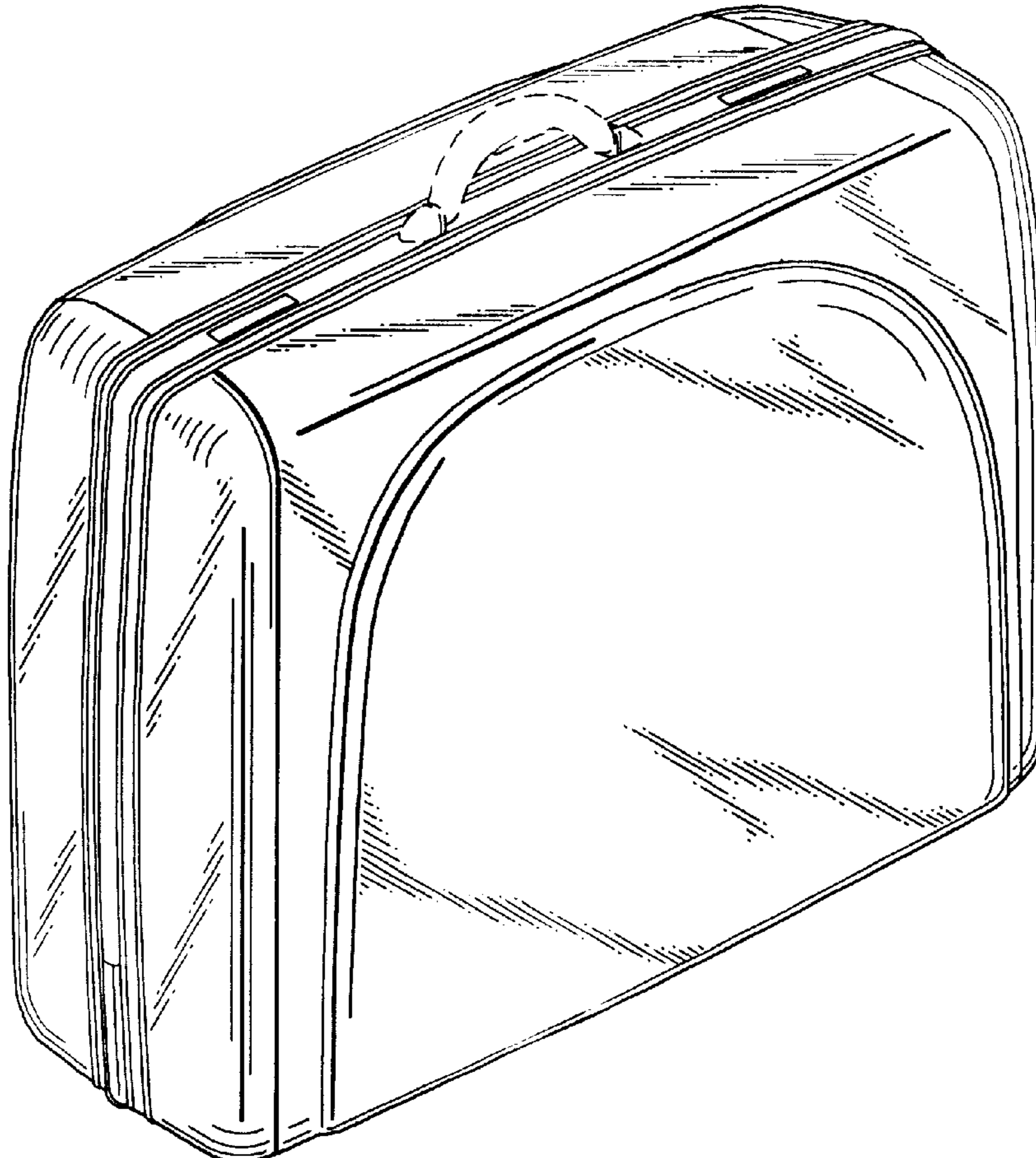
[57] CLAIM

The ornamental design for a shiny molded luggage case, as shown and described.

DESCRIPTION

FIG. 1 is a perspective view taken from the upper lefthand corner of the case embodying my new design;
FIG. 2 is a front view of the case shown in FIG. 1;
FIG. 3 is a back view thereof showing the side opposite that shown in FIG. 2;
FIG. 4 is a top view thereof;
FIG. 5 is a bottom view thereof;
FIG. 6 is a left side view thereof; and,
FIG. 7 is a right side view thereof.
The broken line showing of the handle is for illustrative purposes only and forms no part of the claimed design.

1 Claim, 3 Drawing Sheets



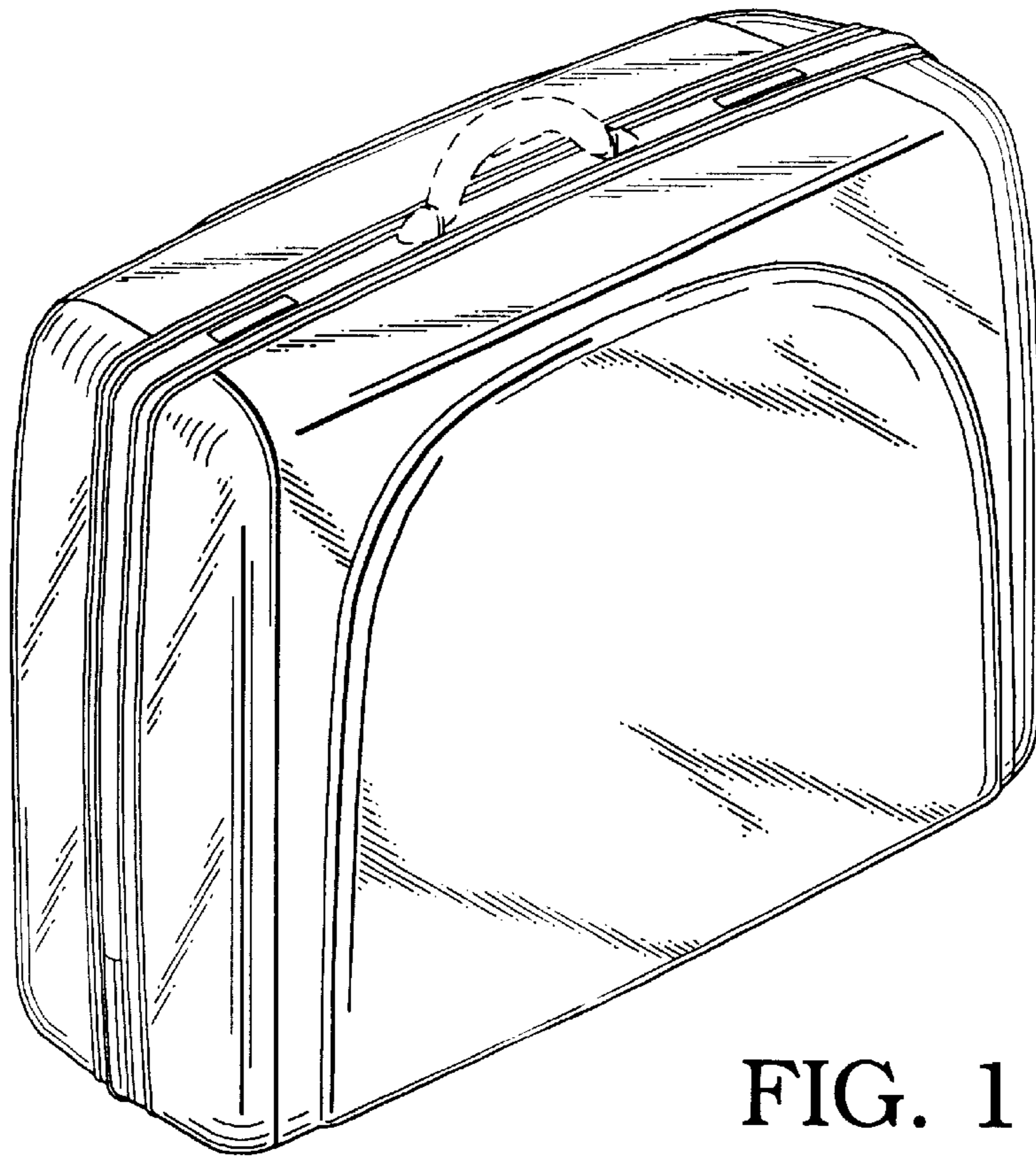


FIG. 1

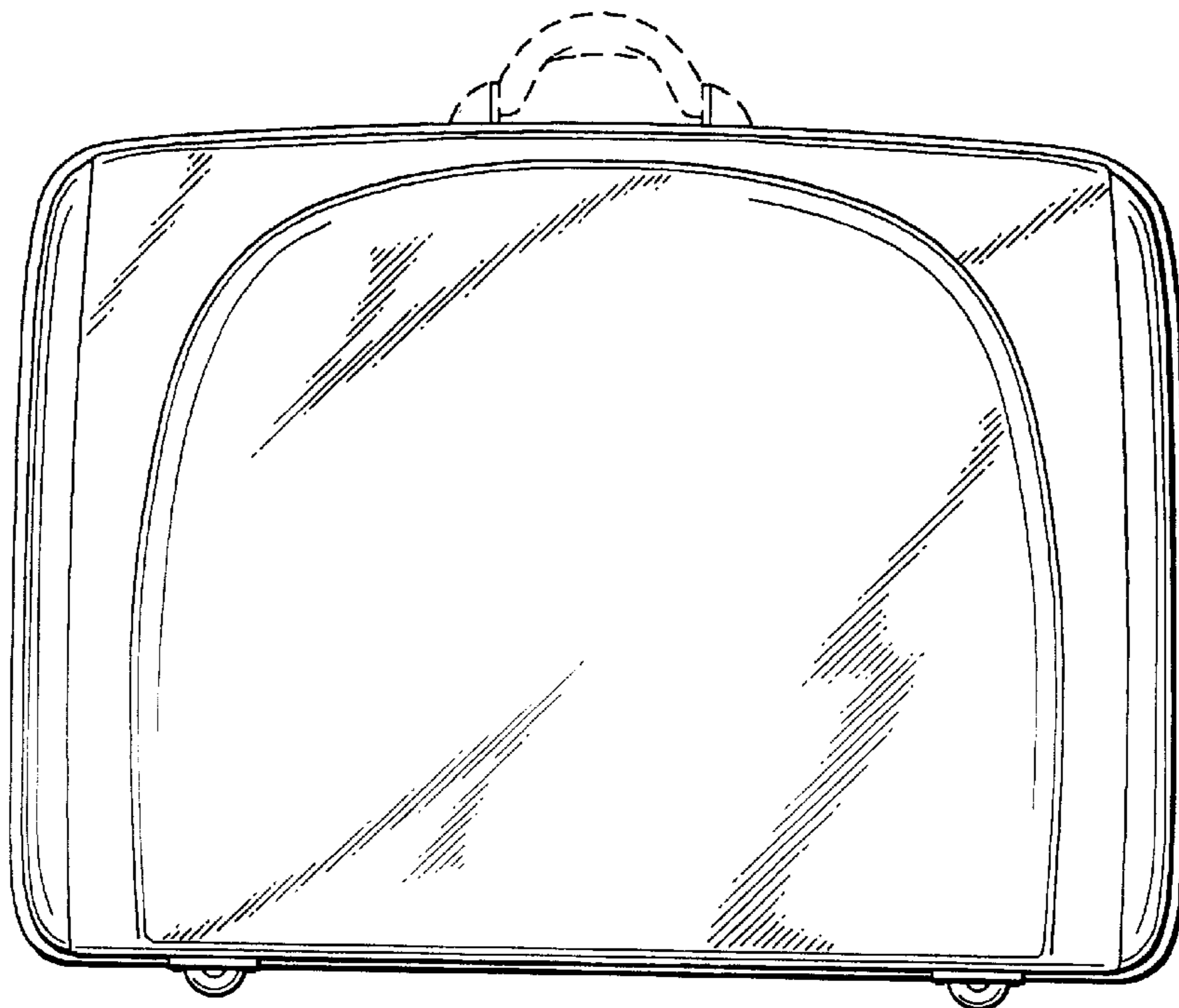


FIG. 2

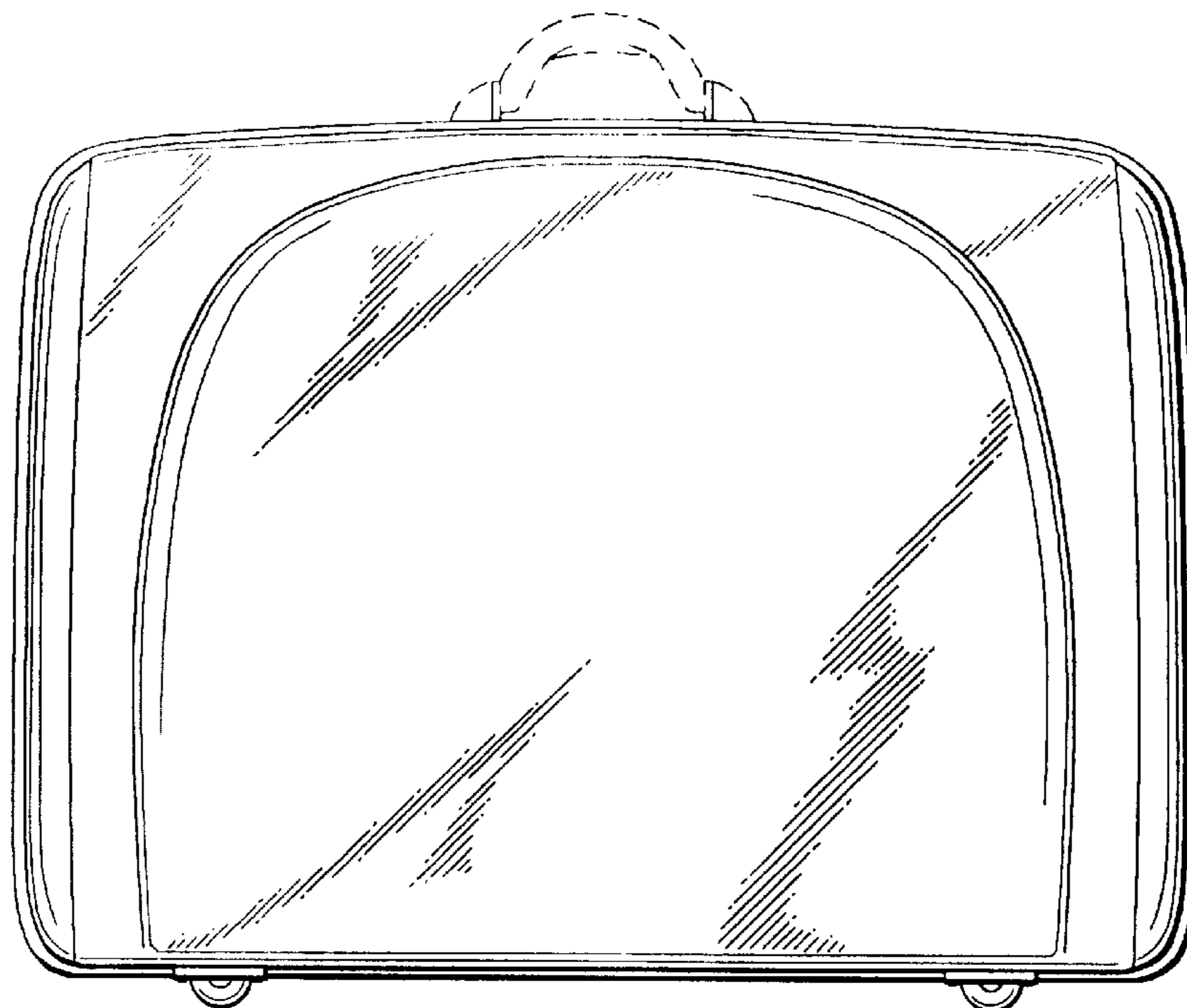


FIG. 3

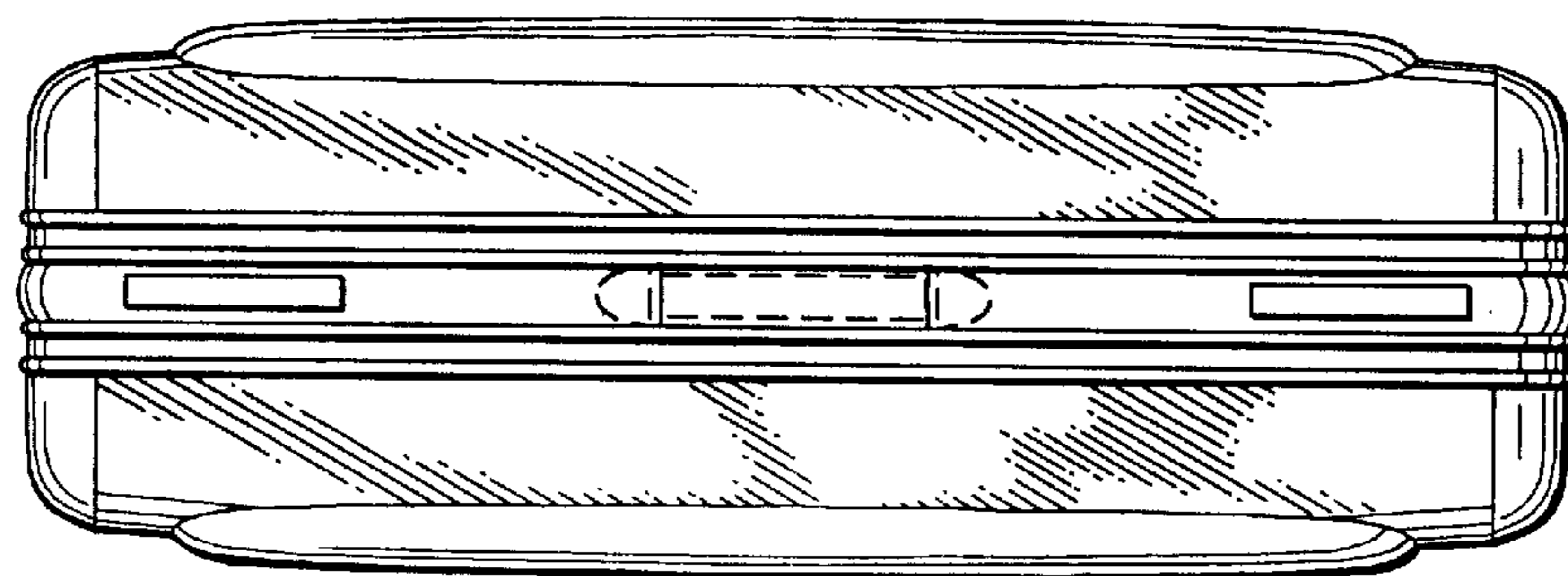


FIG. 4

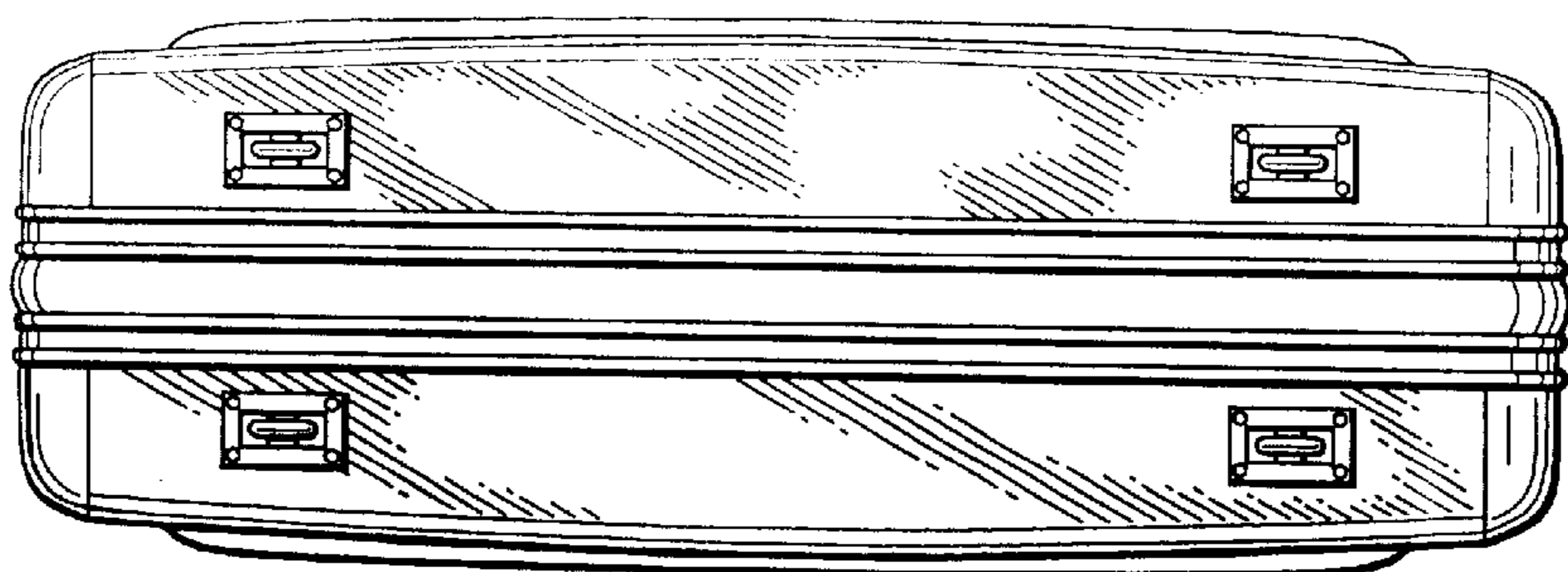


FIG. 5

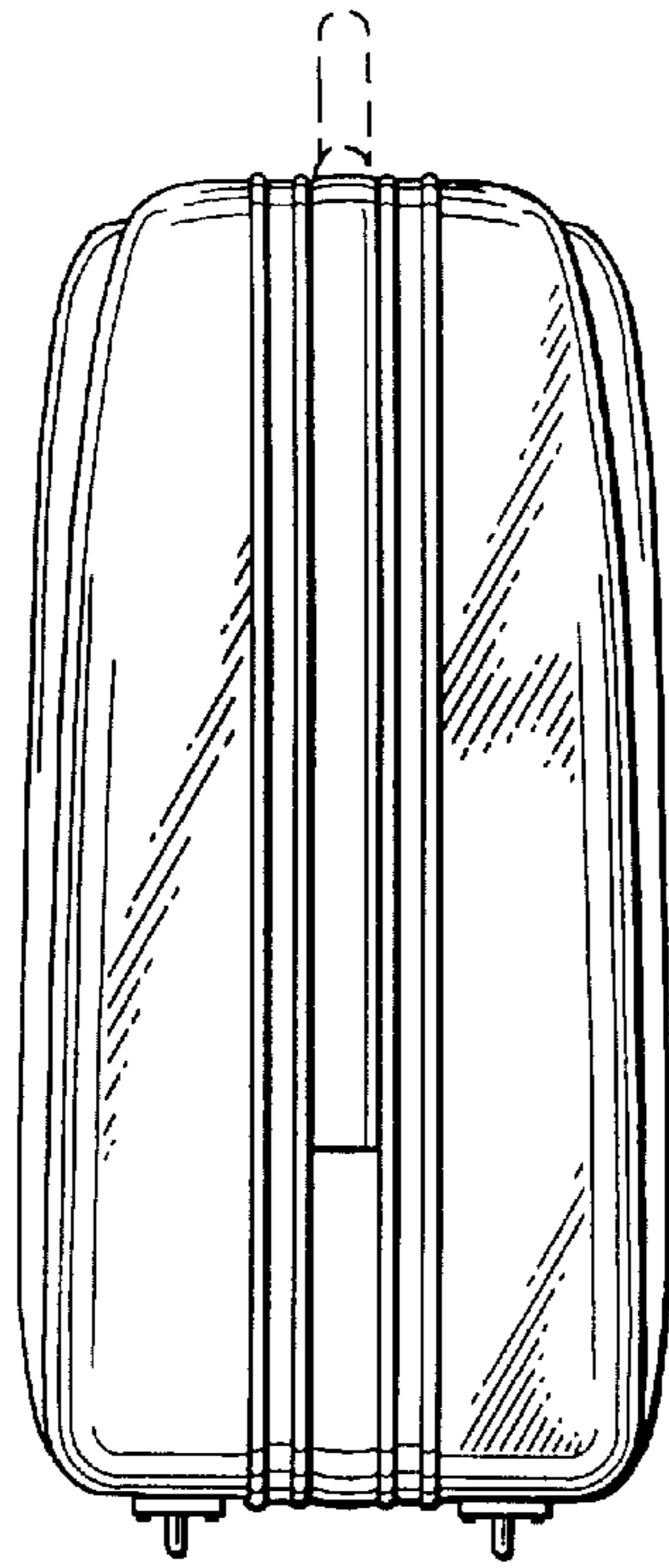


FIG. 6

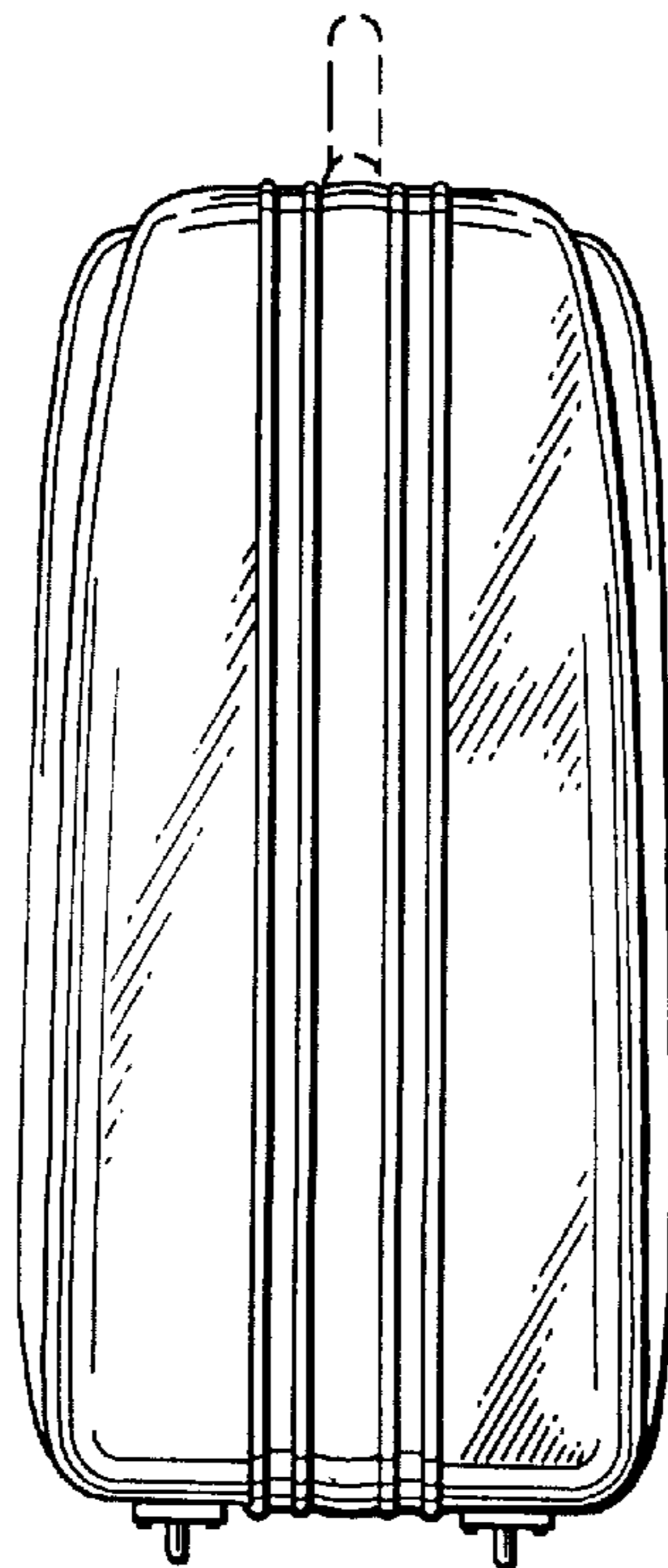


FIG. 7