



US00D418674S

United States Patent [19]

[11] **Patent Number: Des. 418,674**

Deas

[45] **Date of Patent: ** Jan. 11, 2000**

[54] **COMBINED ARMBAND HOLSTER AND AMMUNITION POUCH**

Attorney, Agent, or Firm—Bielen, Peterson & Lampe

[76] Inventor: **Edward P. Deas**, 141 Mountaire Pkwy., Clayton, Calif. 94517

[57] **CLAIM**

The ornamental design for an combined armband holster and ammunition pouch, as shown and described.

[**] Term: **14 Years**

DESCRIPTION

[21] Appl. No.: **29/091,668**

FIG. 1 is a perspective view showing my new design of an combined holster and ammunition pouch as viewed from the back of a wearer when the unit is worn;

[22] Filed: **Aug. 3, 1998**

FIG. 2 is a front elevational view thereof;

[51] **LOC (7) Cl.** **03-01**

FIG. 3 is a bottom view thereof;

[52] **U.S. Cl.** **D3/222**

FIG. 4 is a rear view thereof;

[58] **Field of Search** D3/222, 223; 224/192, 224/193, 198, 199, 219, 222, 239, 267, 911, 914, 901, 912; D2/624

FIG. 5 is a top view thereof;

FIG. 6 is a right side view of the holster portion of the unit thereof;

[56] **References Cited**

U.S. PATENT DOCUMENTS

D. 234,840	4/1975	Adams	D3/222
4,408,706	10/1983	Hurley	224/192
4,787,540	11/1988	Barry	224/192
5,484,093	1/1996	Hellweg et al.	224/914 X
5,558,440	9/1996	Miller	224/219

FIG. 7 is a left side view of the holster portion of the unit thereof;

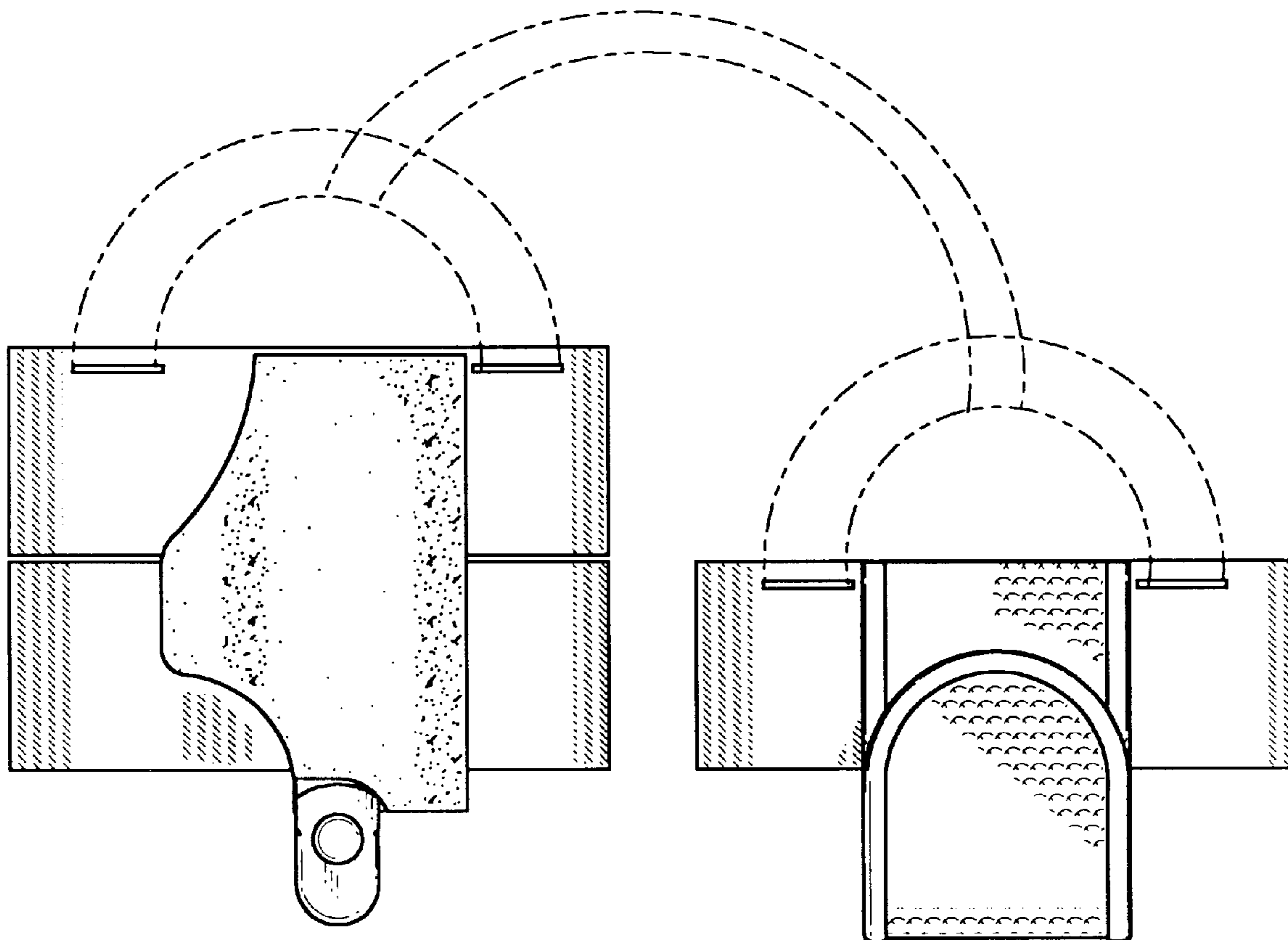
FIG. 8 is a right side view of the ammunition pouch portion of the unit thereof; and,

FIG. 9 is a left side view of the ammunition pouch portion of the unit thereof.

The broken line showing of environment in the drawings is for illustrative purposes only and forms no part of the claimed design.

Primary Examiner—Louis S. Zarfaz
Assistant Examiner—Catherine R. Oliver

1 Claim, 4 Drawing Sheets



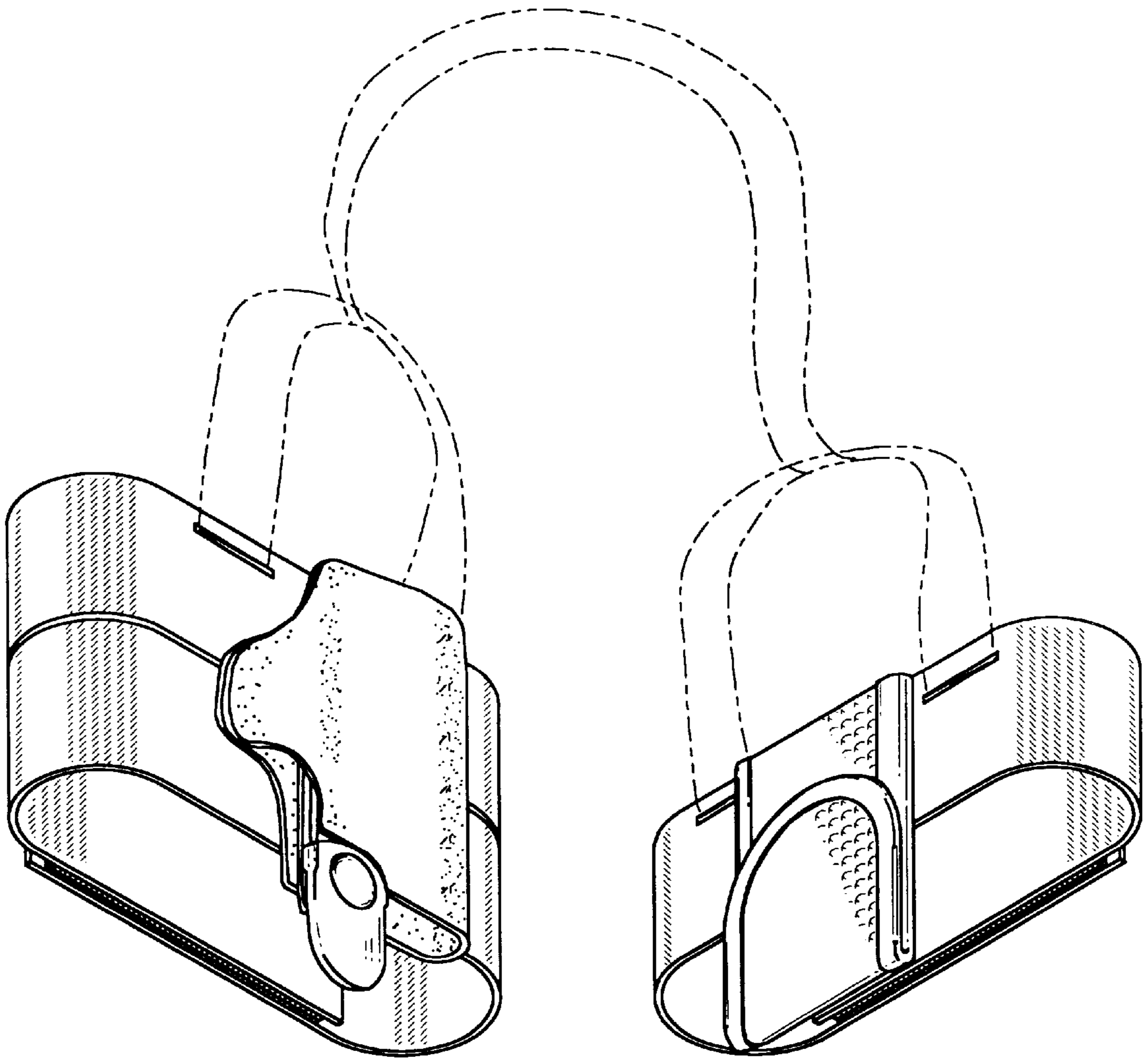


FIG. 1

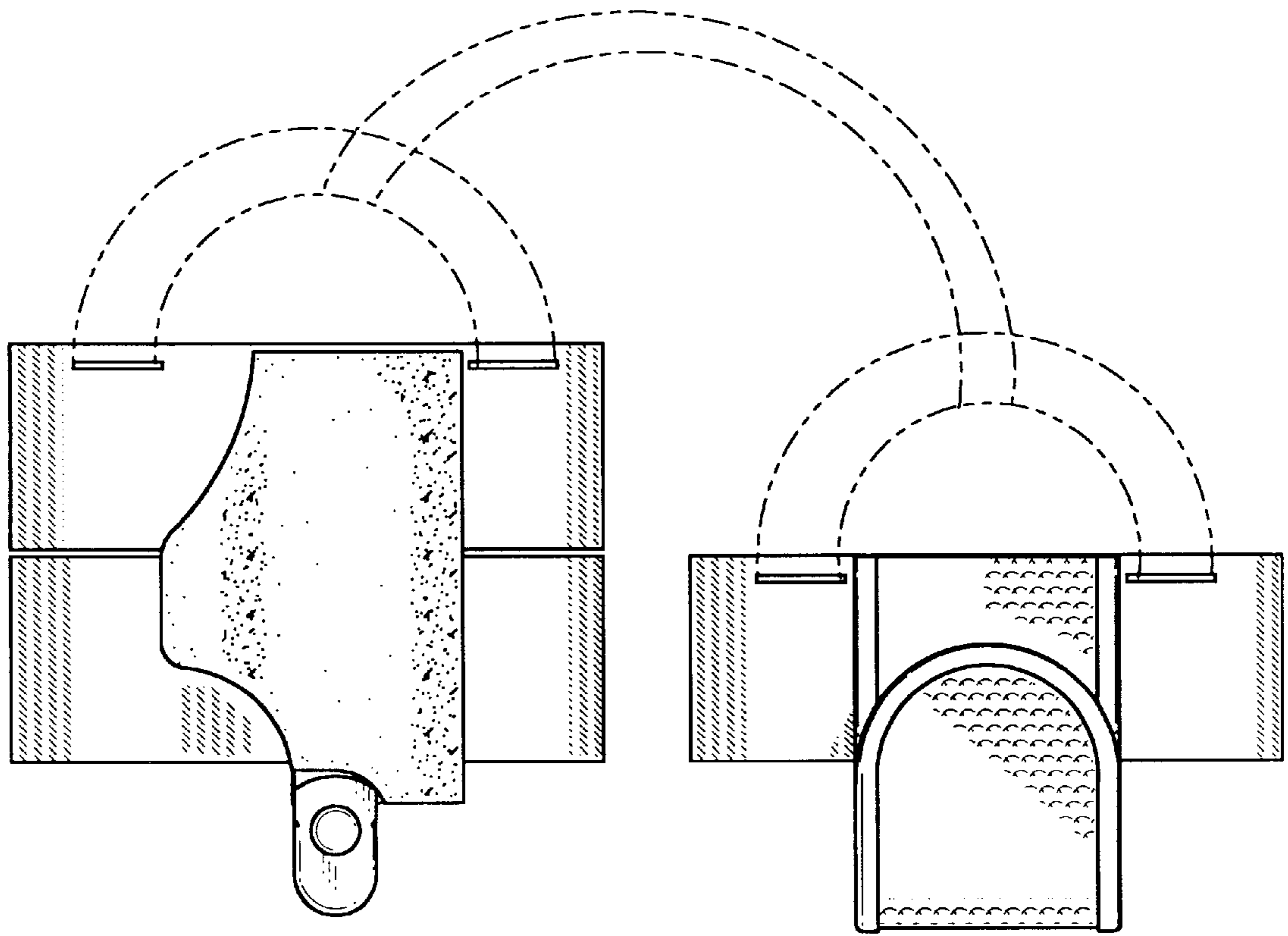


FIG. 2

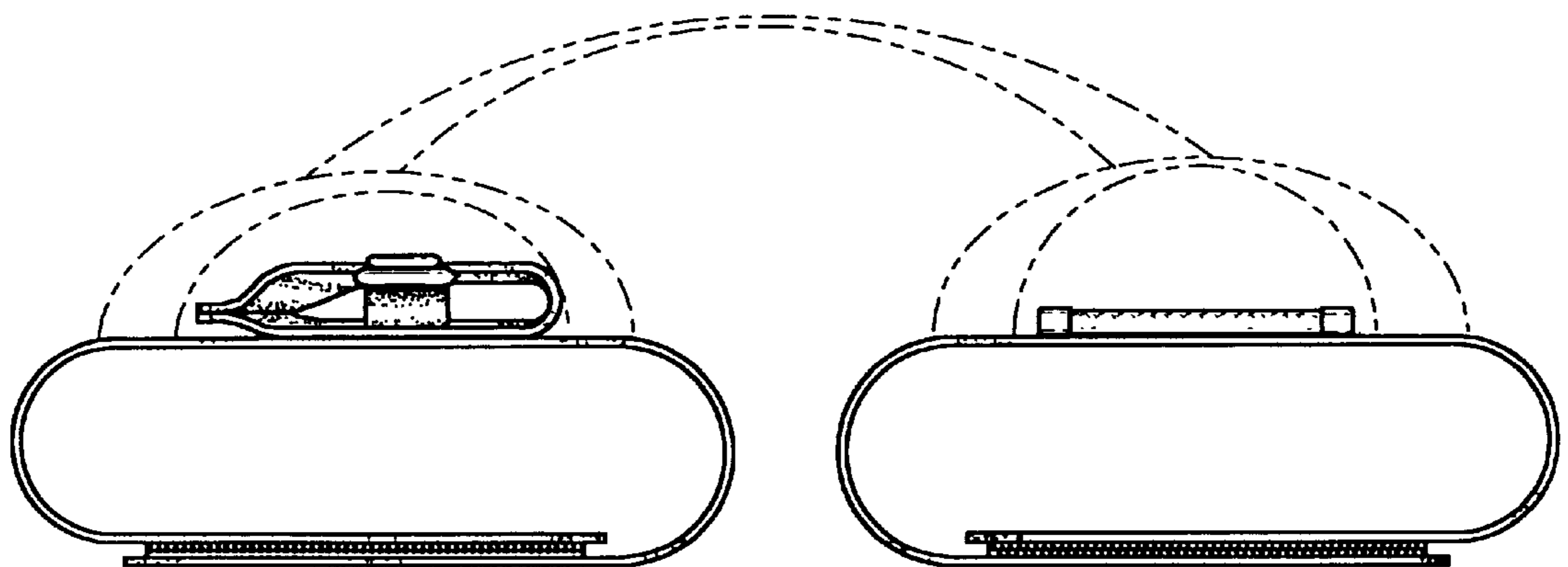


FIG. 3

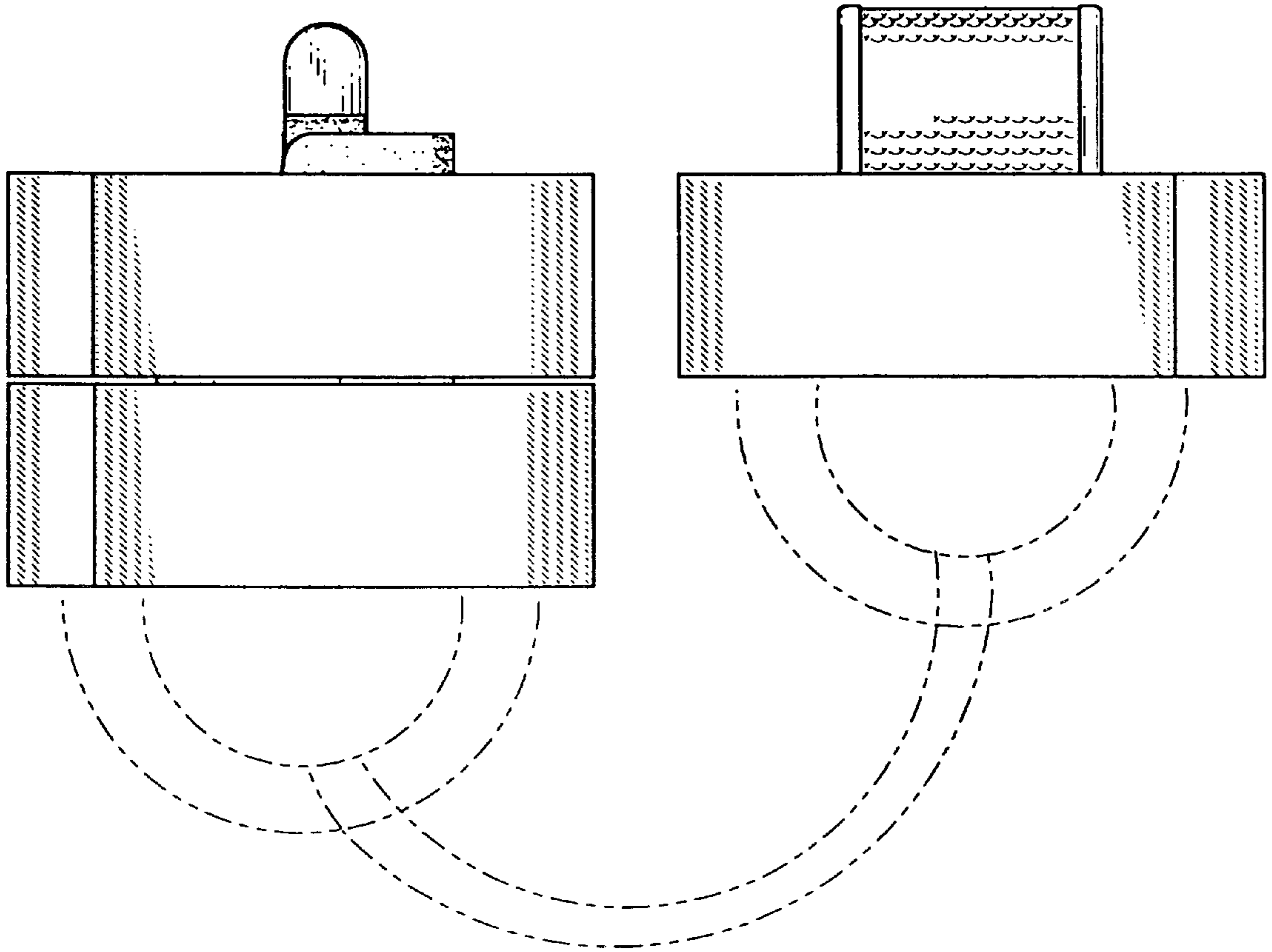


FIG. 4

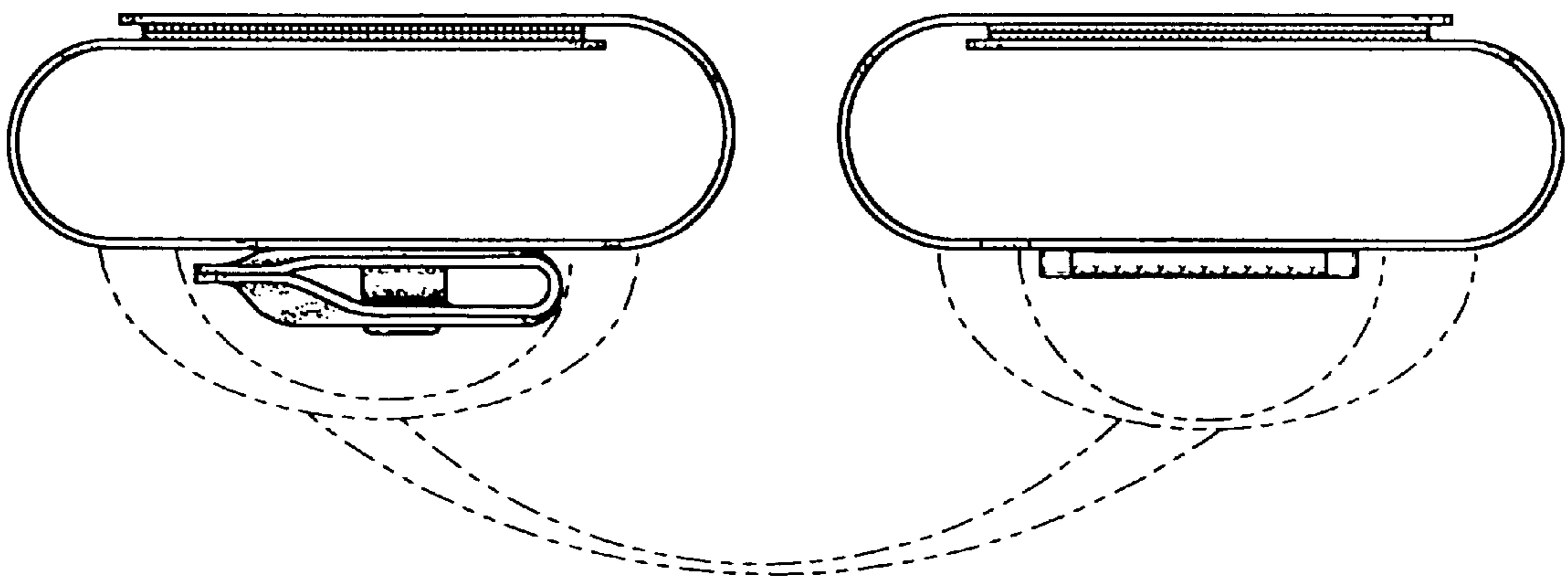


FIG. 5

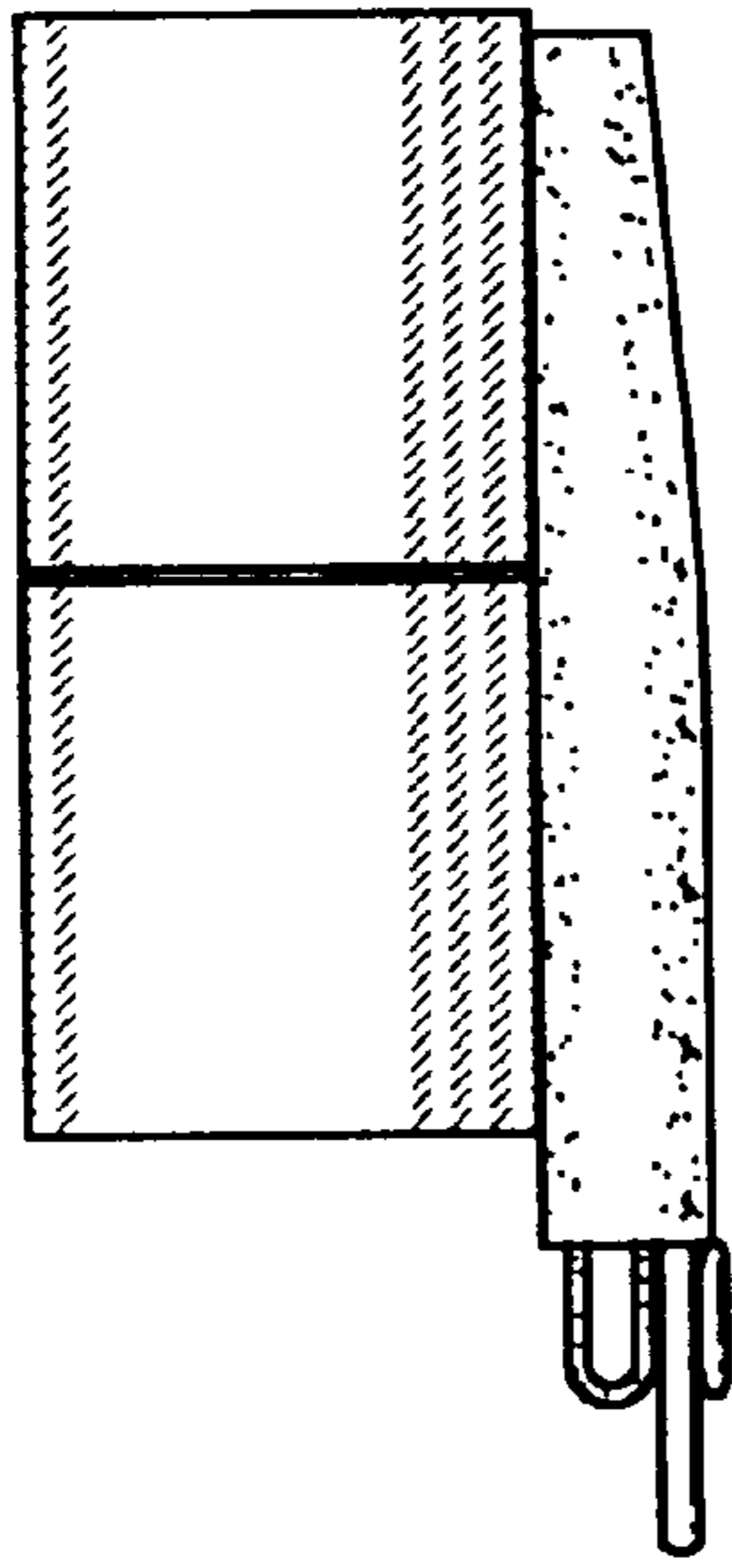


FIG. 6

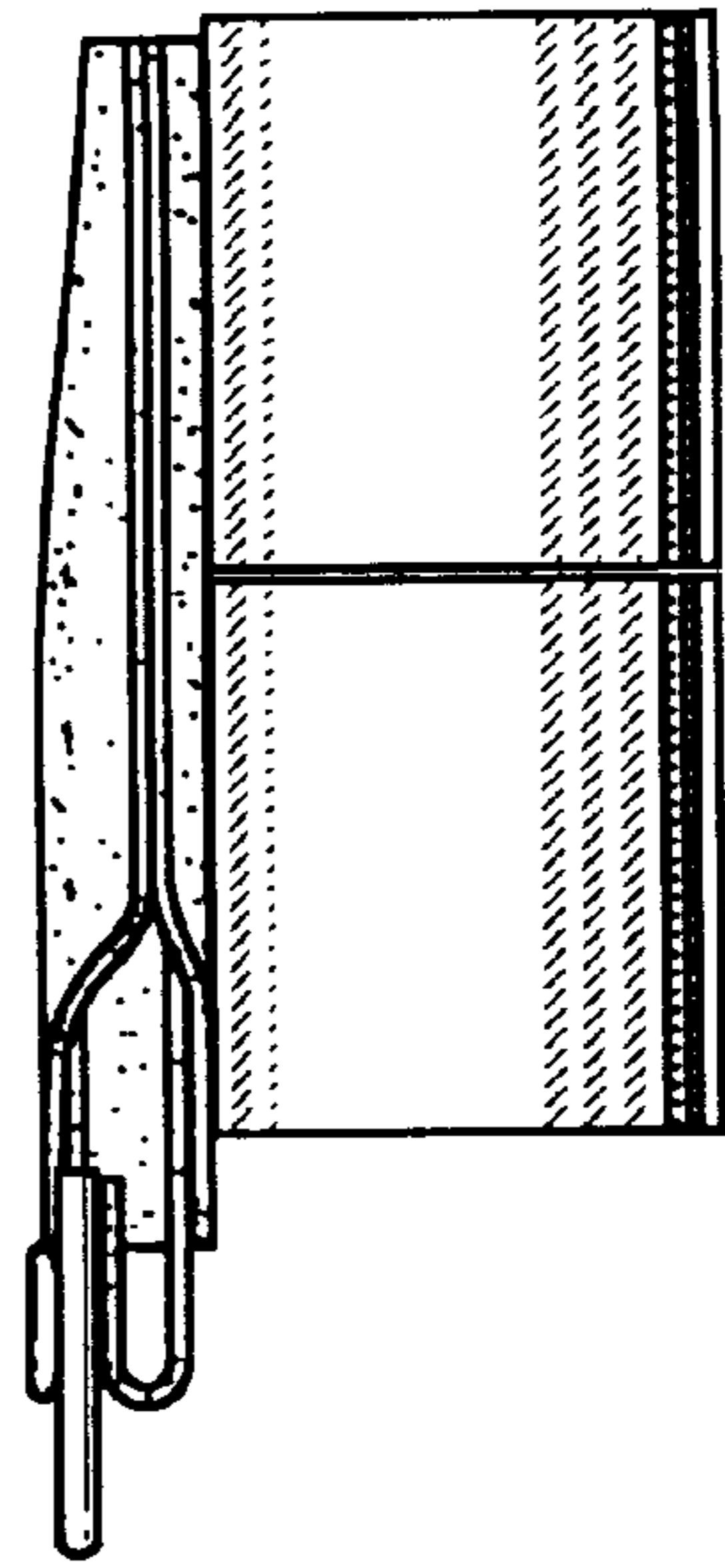


FIG. 7

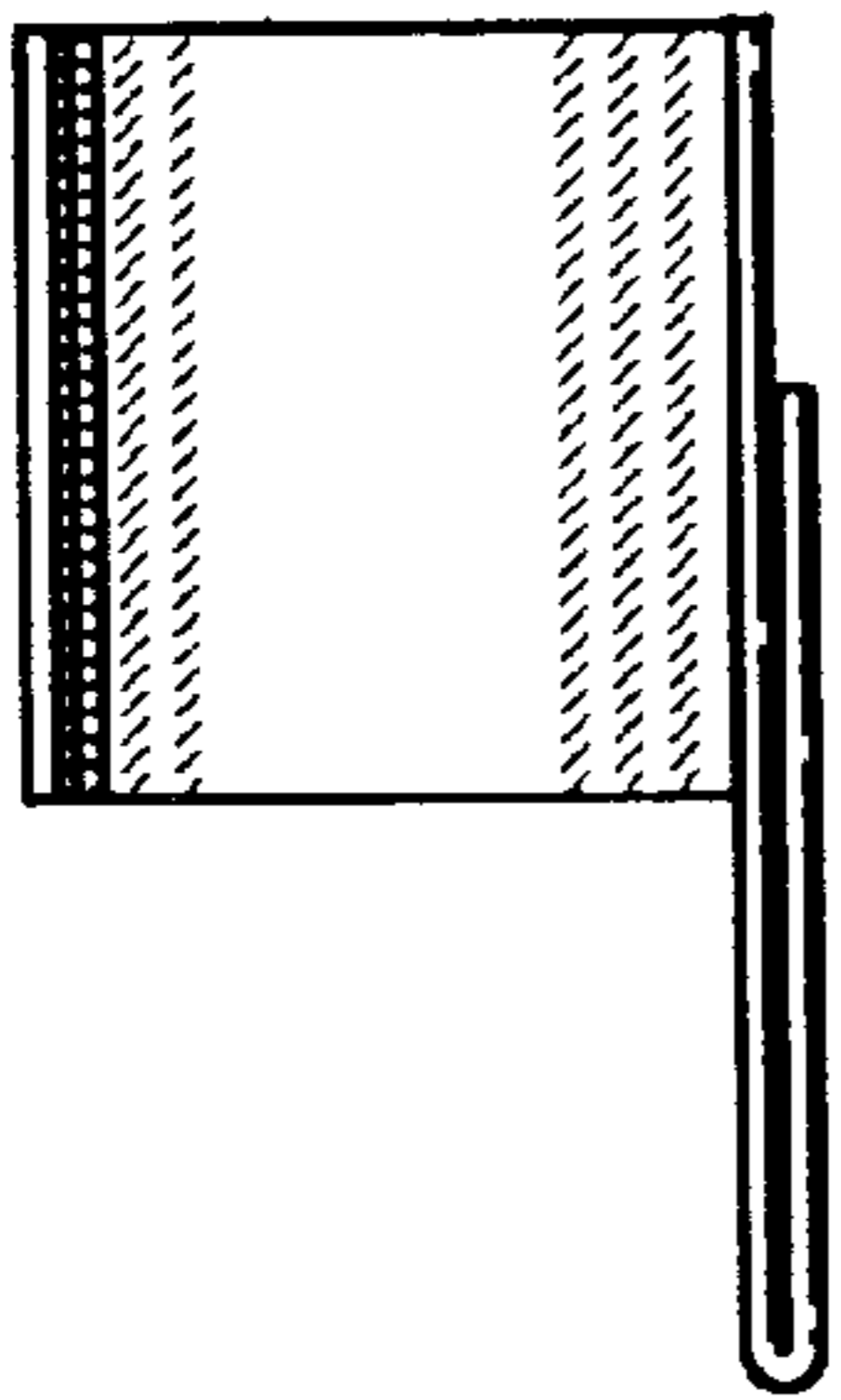


FIG. 8

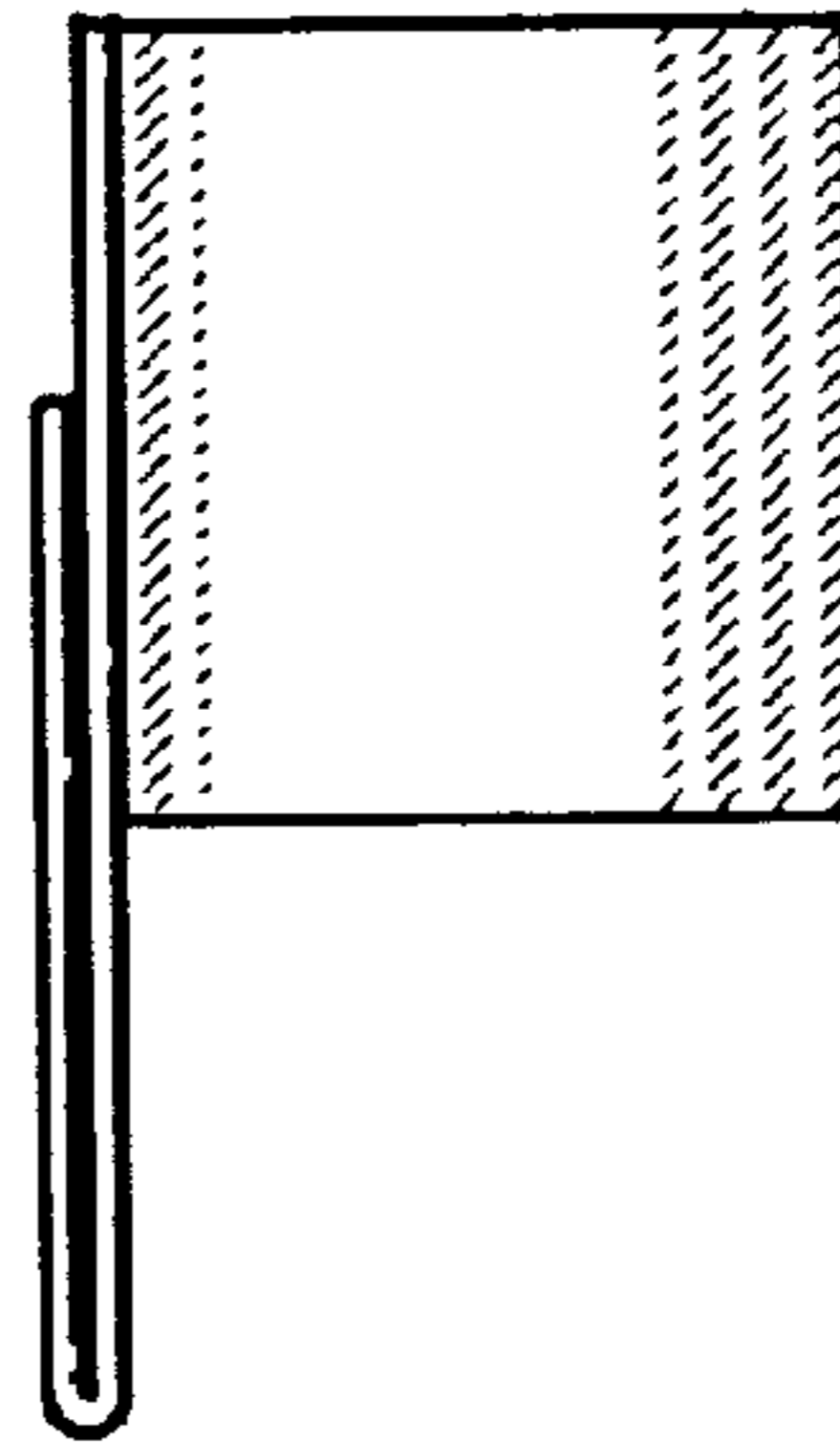


FIG. 9