



US00D418673S

United States Patent [19]
Madsen

[11] **Patent Number: Des. 418,673**
[45] **Date of Patent: ** Jan. 11, 2000**

[54] **MODULAR HUNTING BACKPACK AND VEST**

[75] Inventor: **Rod Madsen**, Castle Rock, Colo.

[73] Assignee: **Huntpak Systems, LLC**, Highlands Ranch, Colo.

[**] Term: **14 Years**

[21] Appl. No.: **29/097,569**

[22] Filed: **Dec. 9, 1998**

[51] **LOC (7) Cl.** **03-01**

[52] **U.S. Cl.** **D3/216; D3/217; D2/830; D2/839**

[58] **Field of Search** **D2/830-839, 829; D3/216, 217, 230; 2/94, 46, 102; 224/576, 583; 441/108**

[56] **References Cited**

U.S. PATENT DOCUMENTS

D. 249,594	9/1978	Stewart	D3/217
D. 291,262	8/1987	Colby	D3/230
D. 352,165	11/1994	Covertson	D3/217
D. 352,816	11/1994	Kirn et al.	D2/829
D. 357,342	4/1995	Gelinas et al.	D2/830
D. 375,622	11/1996	Croft	D3/217
D. 387,198	12/1997	Lehmann et al.	D3/217
2,717,391	9/1955	Bracken	2/94
4,523,914	6/1985	Faulconer et al.	441/108

4,669,127	6/1987	Swanson	2/46
5,014,359	5/1991	Hanson	2/94
5,020,941	6/1991	Bulin et al.	405/186
5,673,836	10/1997	Bush	224/576
5,799,851	9/1998	Wulf et al.	224/583
5,909,802	6/1999	Puco et al.	2/102
5,913,409	6/1999	Test	2/102

Primary Examiner—Celia Murphy
Attorney, Agent, or Firm—Gibson, Dunn & Crutcher LLP

[57] **CLAIM**

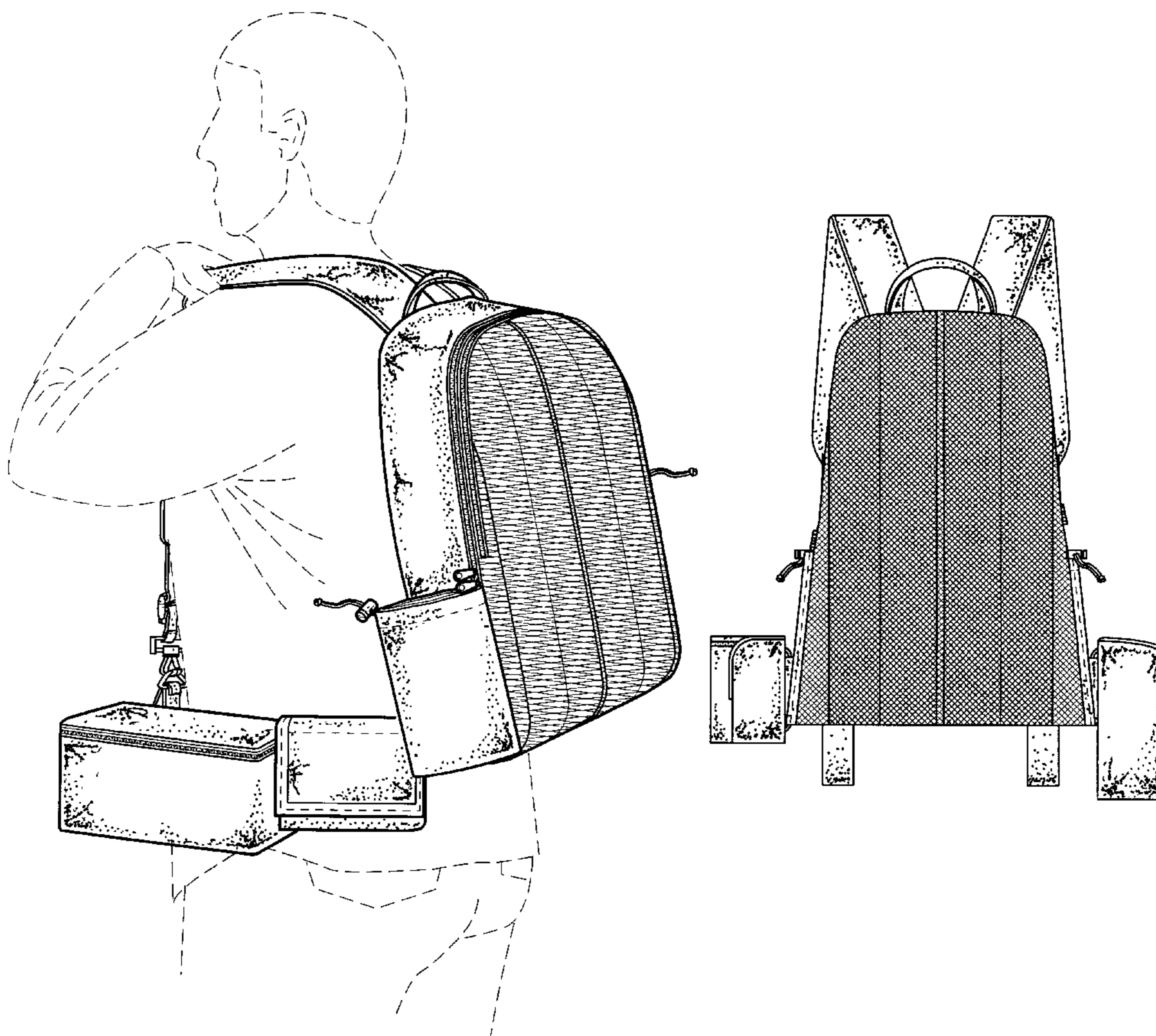
I claim the ornamental design for a modular hunting backpack and vest, as shown and described.

DESCRIPTION

FIG. 1 is a perspective view of a modular hunting backpack and vest showing my new design, a more accurate indication of the rear surface of the article being shown in FIG. 3; FIG. 2 is a front elevation view thereof; FIG. 3 is a back elevation view thereof; FIG. 4 is a left side elevational view thereof; FIG. 5 is a right side elevational view thereof; FIG. 6 is top view thereof; and, FIG. 7 is a bottom view thereof.

The broken lines showing a human torso in FIG. 1 are for illustrative purposes to show how the article is used, said lines forming no part of the claimed design; and the broken lines shown on the surface of the claimed article throughout the views are understood to represent stitching.

1 Claim, 4 Drawing Sheets



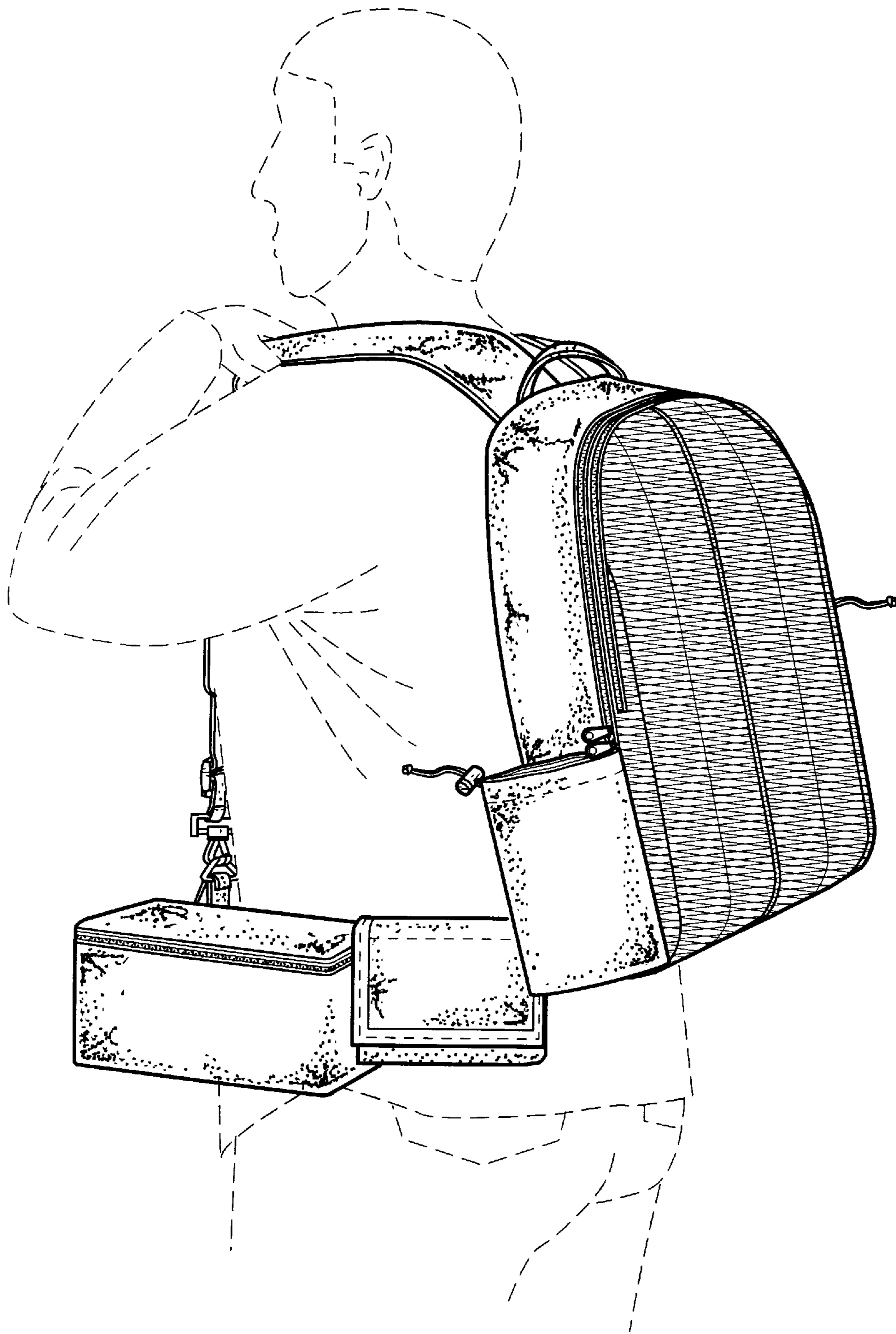


FIG. 1

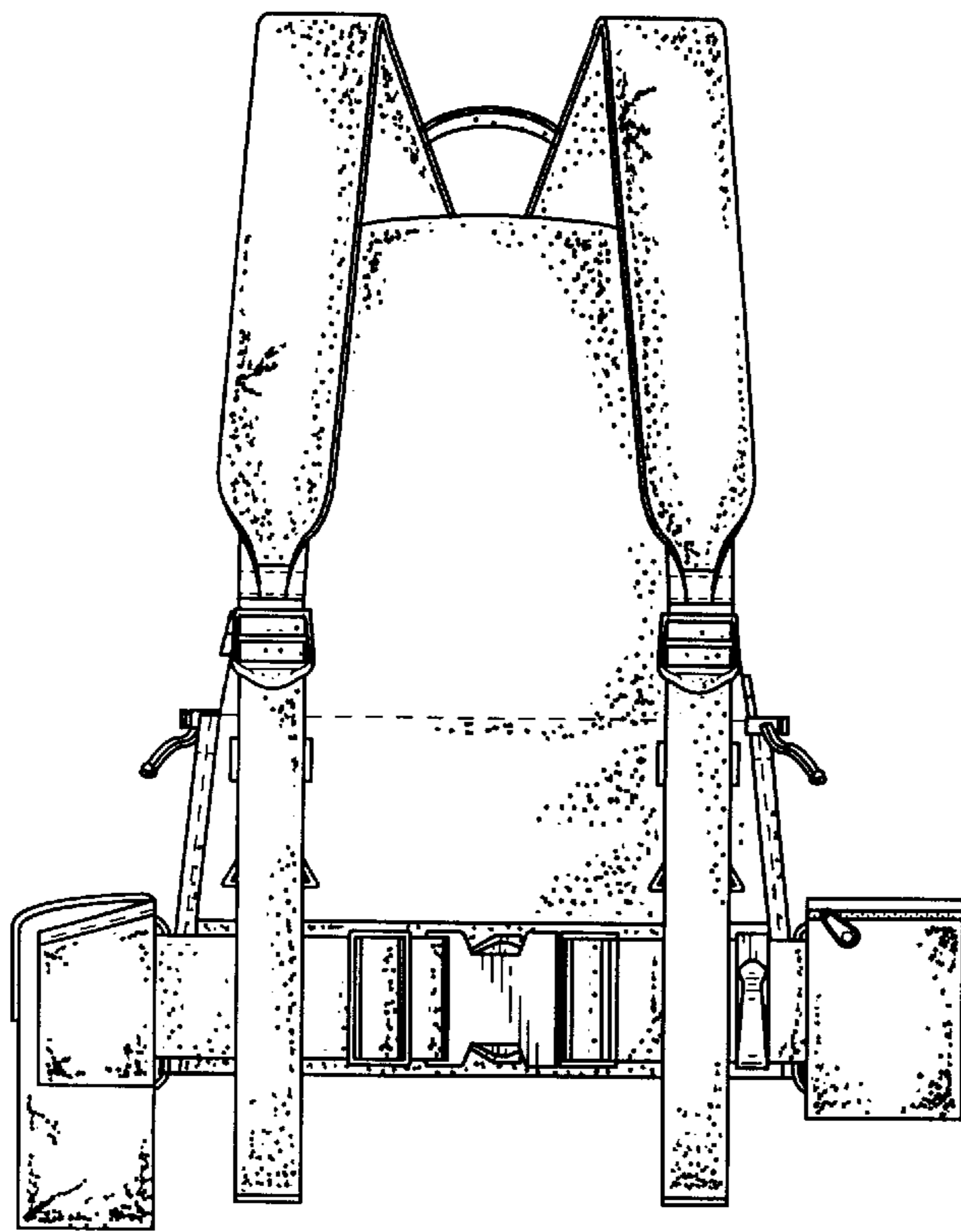


FIG. 2

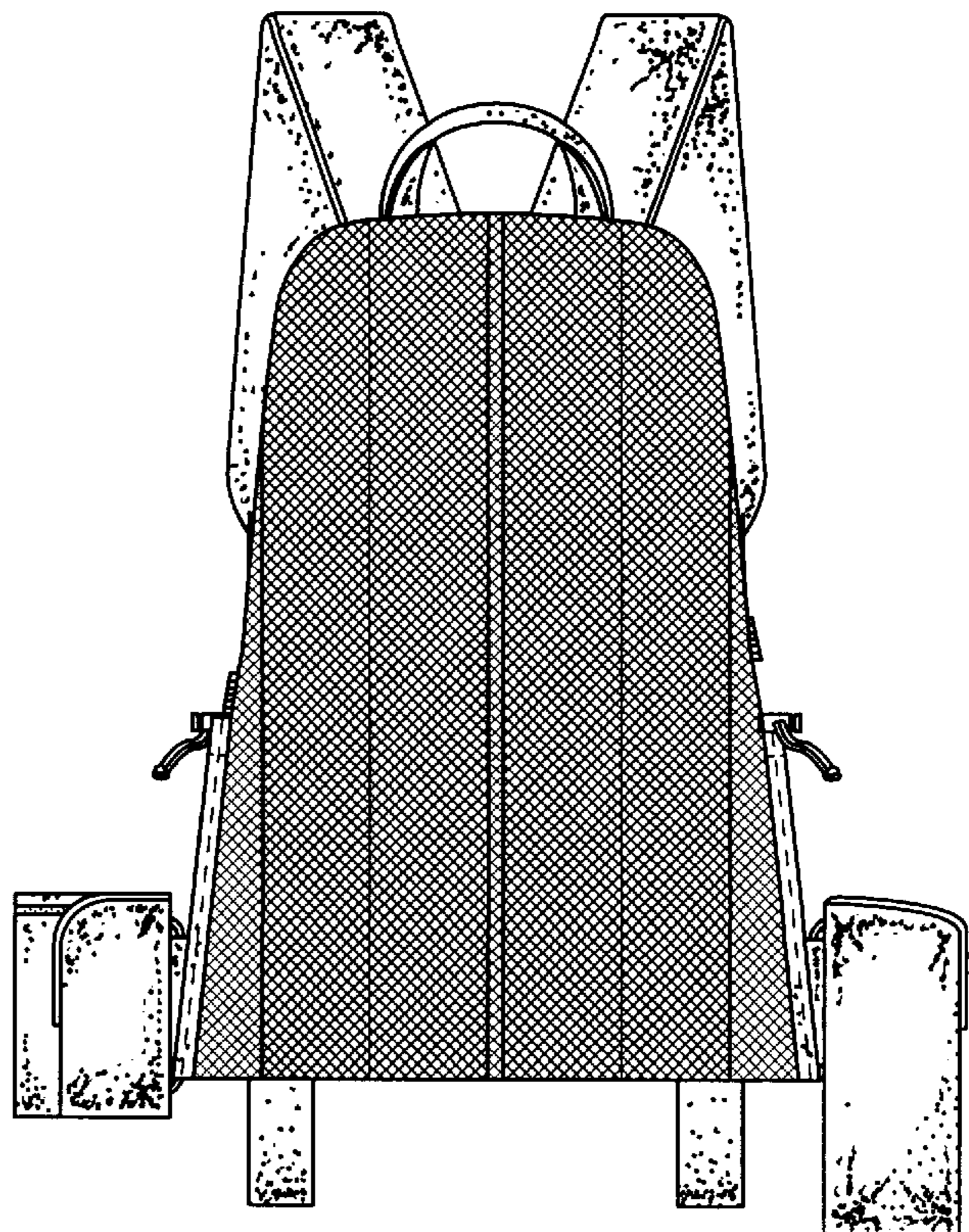


FIG. 3

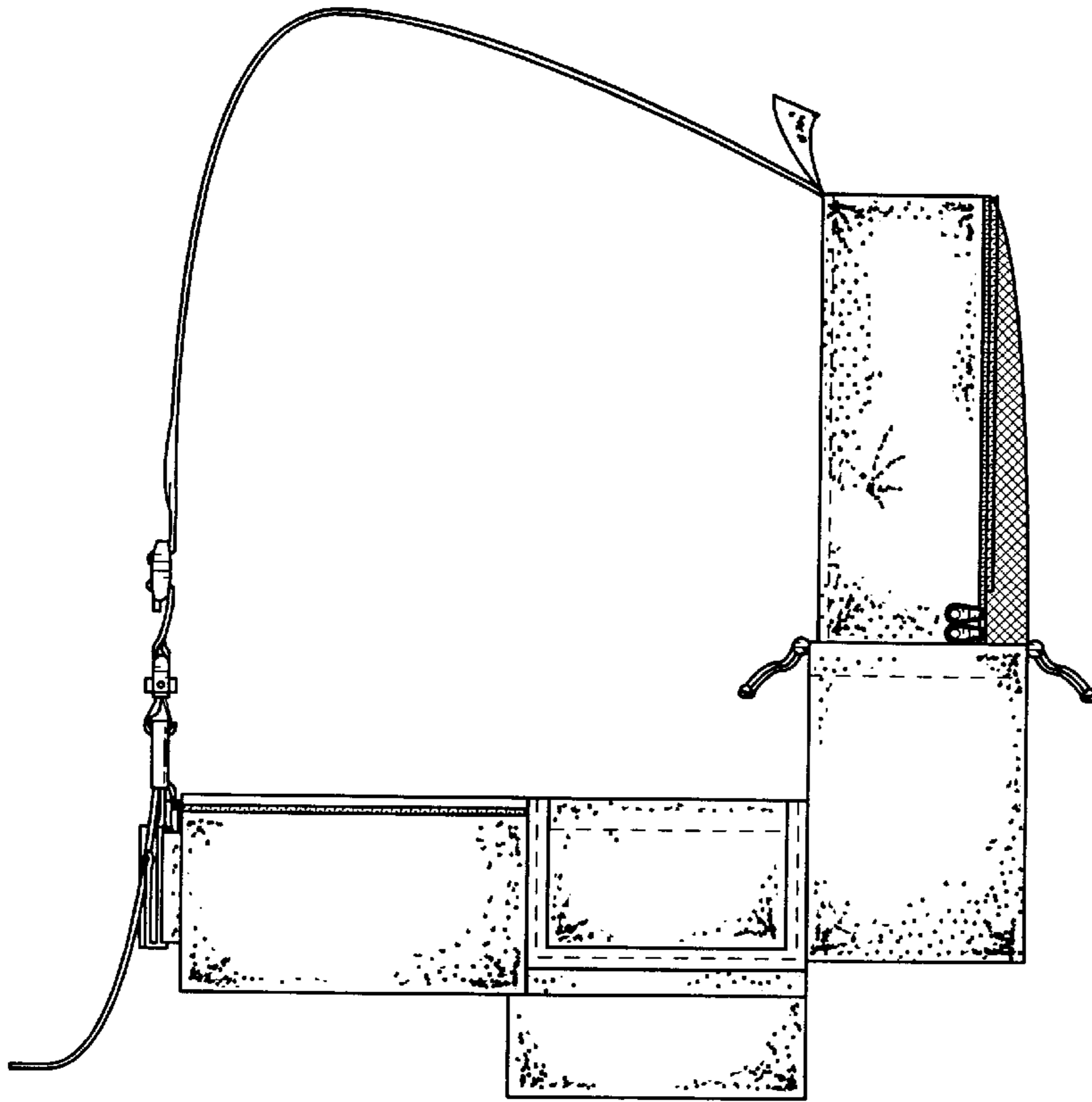


FIG. 4

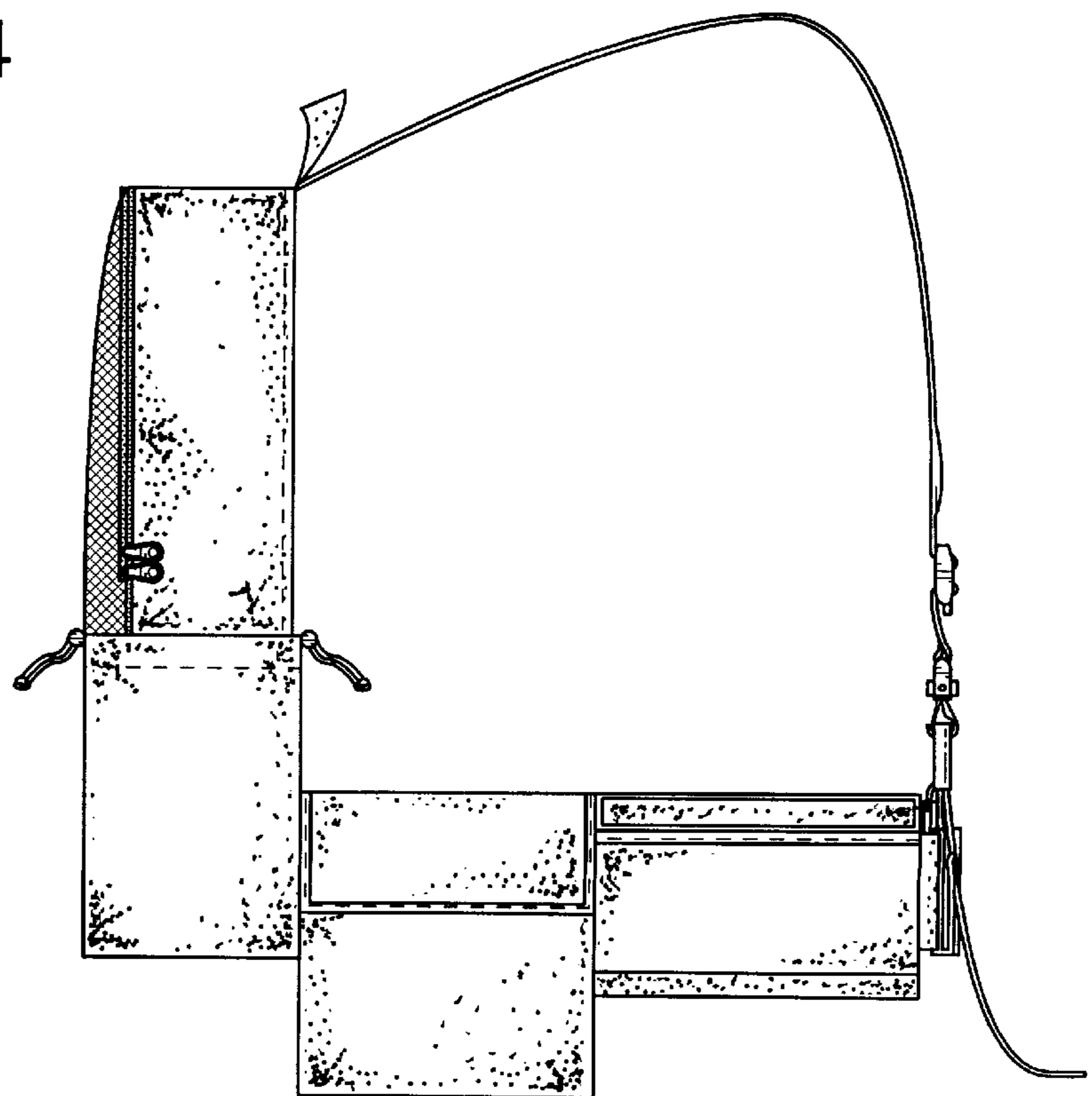


FIG. 5

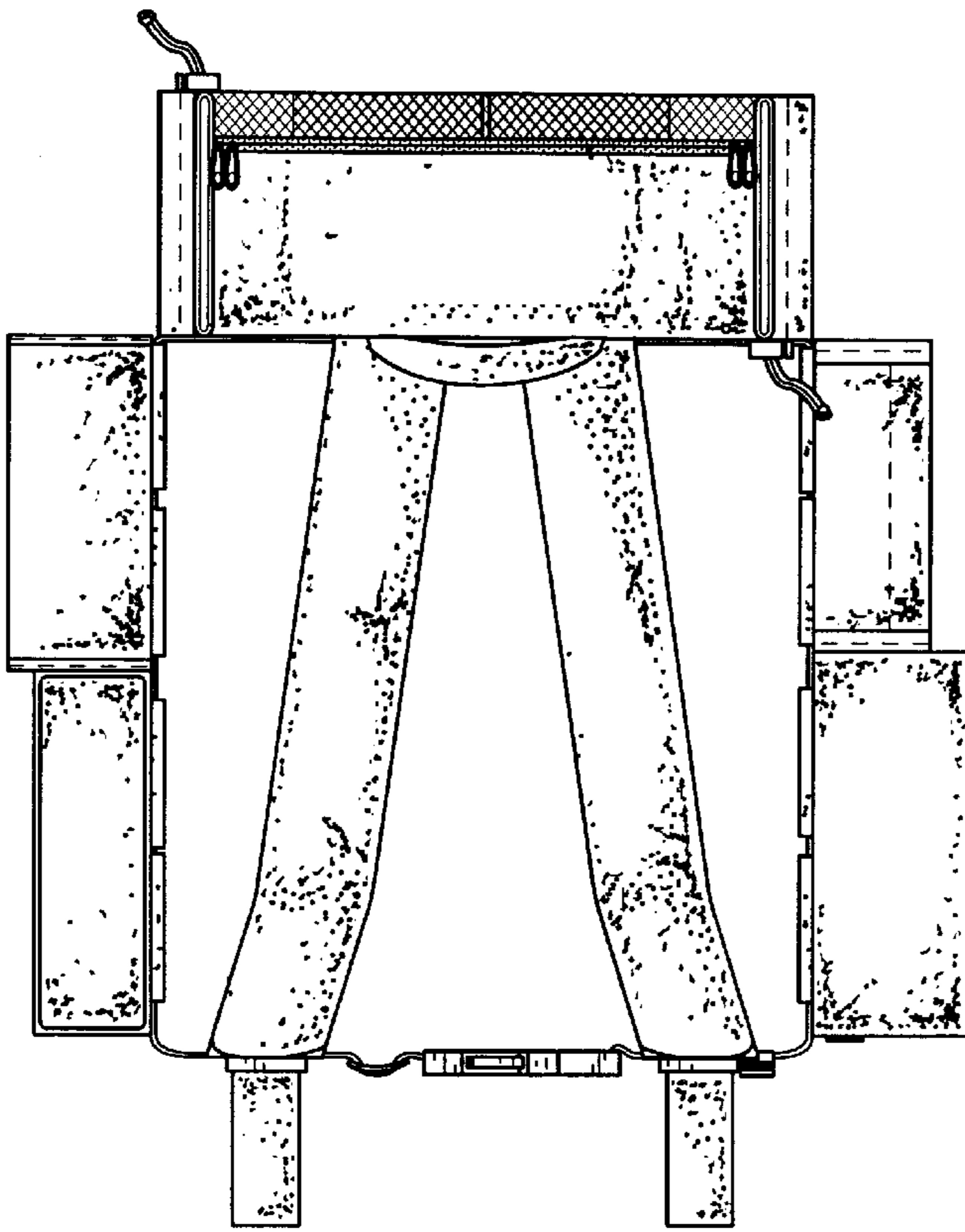


FIG. 6

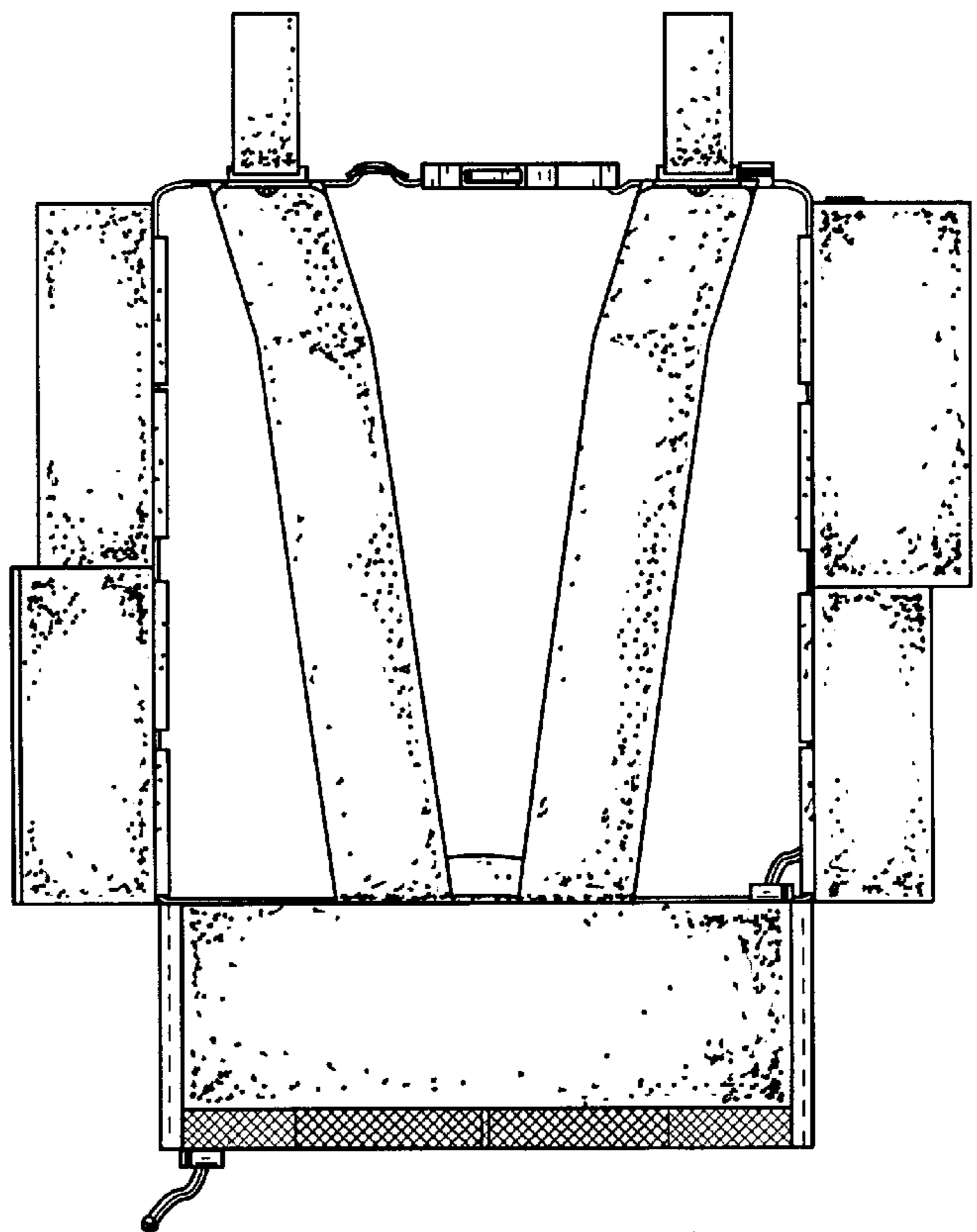


FIG. 7