



US00D418671S

United States Patent [19]

Tsai

[11] Patent Number: **Des. 418,671**

[45] Date of Patent: **** Jan. 11, 2000**

[54] **SUNSHADE**

[75] Inventor: **Chin-Fu Tsai**, Changhua Hsien, Taiwan

[73] Assignee: **Yuan Jinn Fwu Co., Ltd.**, Changhua Hsien, Taiwan

[**] Term: **14 Years**

[21] Appl. No.: **29/096,854**

[22] Filed: **Nov. 20, 1998**

[51] **LOC (7) Cl.** **03-04**

[52] **U.S. Cl.** **D3/6**

[58] **Field of Search** D3/5, 6; 135/87,
135/98, 99, 121, 15.1, 16, 33.7, 33.71,
904; D26/128

[56] **References Cited**

U.S. PATENT DOCUMENTS

- D. 379,116 5/1997 Selberg D3/6
- D. 390,696 2/1998 Bauman D3/5

- 3,151,621 10/1964 Jackson 135/16
- 5,135,018 8/1992 Anderson 135/99
- 5,823,212 10/1998 Allen 135/16

Primary Examiner—Stella Reid
Assistant Examiner—Catherine R. Oliver
Attorney, Agent, or Firm—Browdy and Neimark

[57] **CLAIM**

The ornamental design for “sunshade”, as shown and described.

DESCRIPTION

FIG. 1 is a perspective view of sunshade showing my new design.

FIG. 2 is a front view thereof;

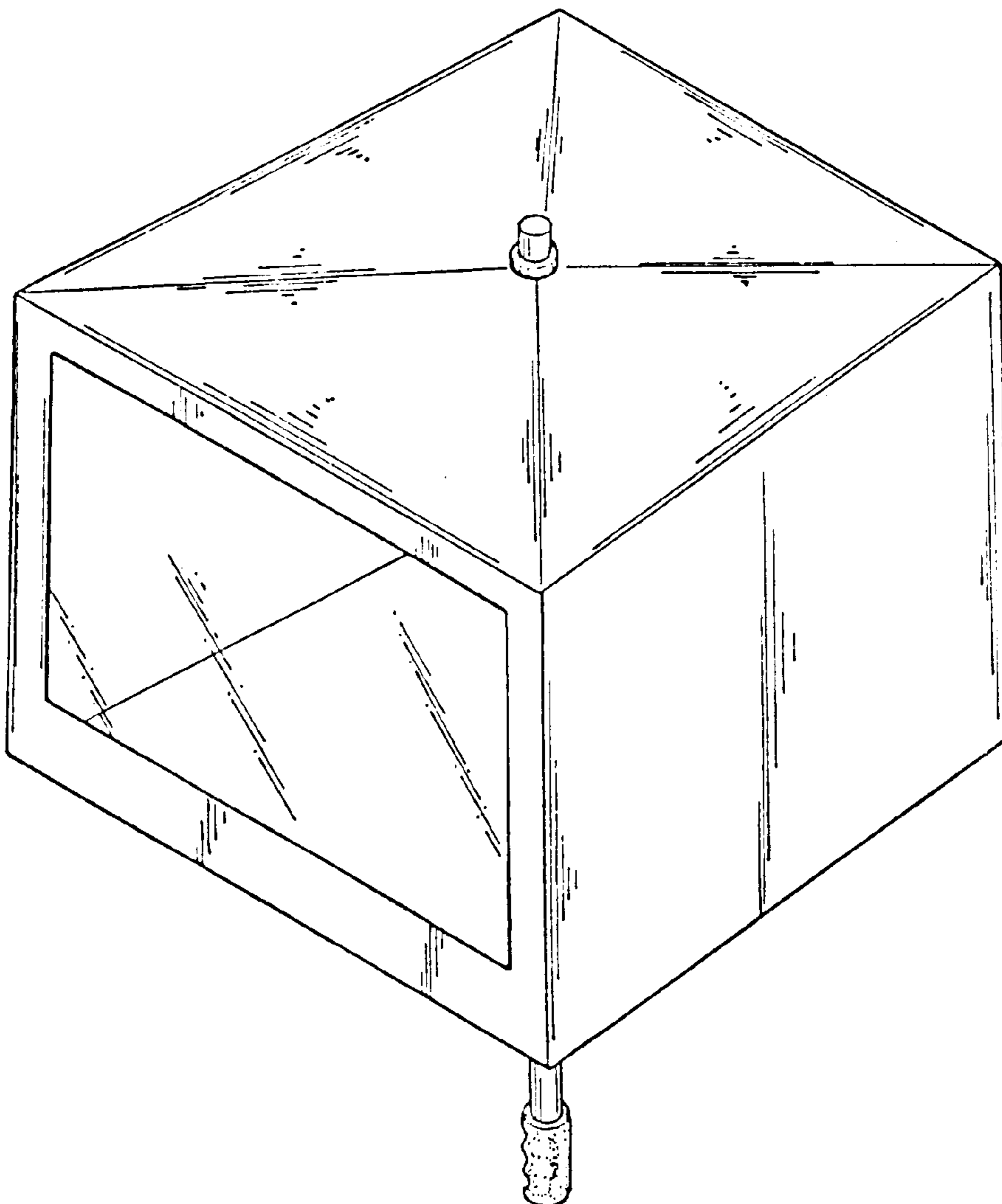
FIG. 3 is a rear view thereof;

FIG. 4 is a left side view thereof, the right side is identical;

FIG. 5 is top view thereof; and,

FIG. 6 is a bottom view thereof.

1 Claim, 3 Drawing Sheets



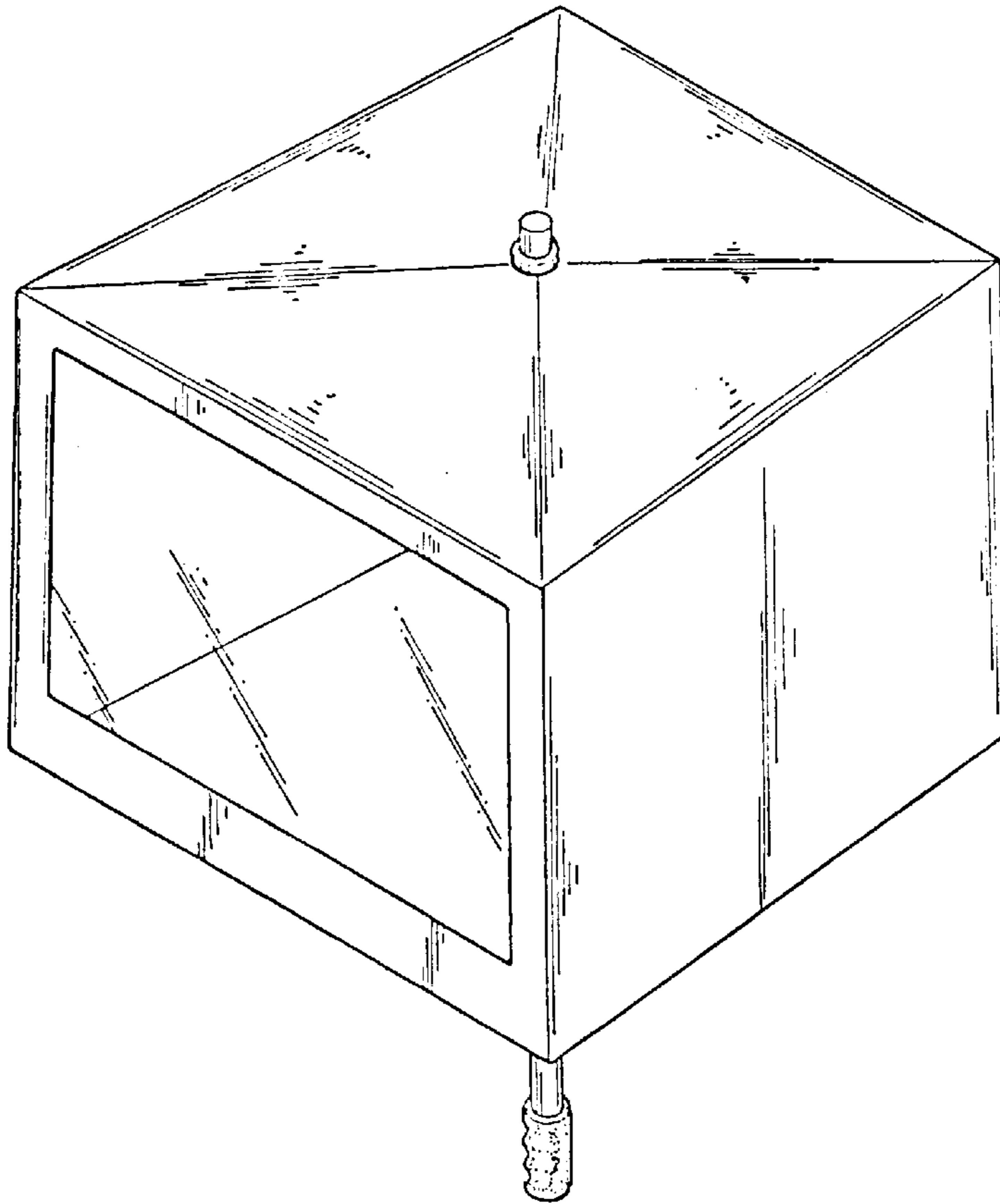


FIG. 1

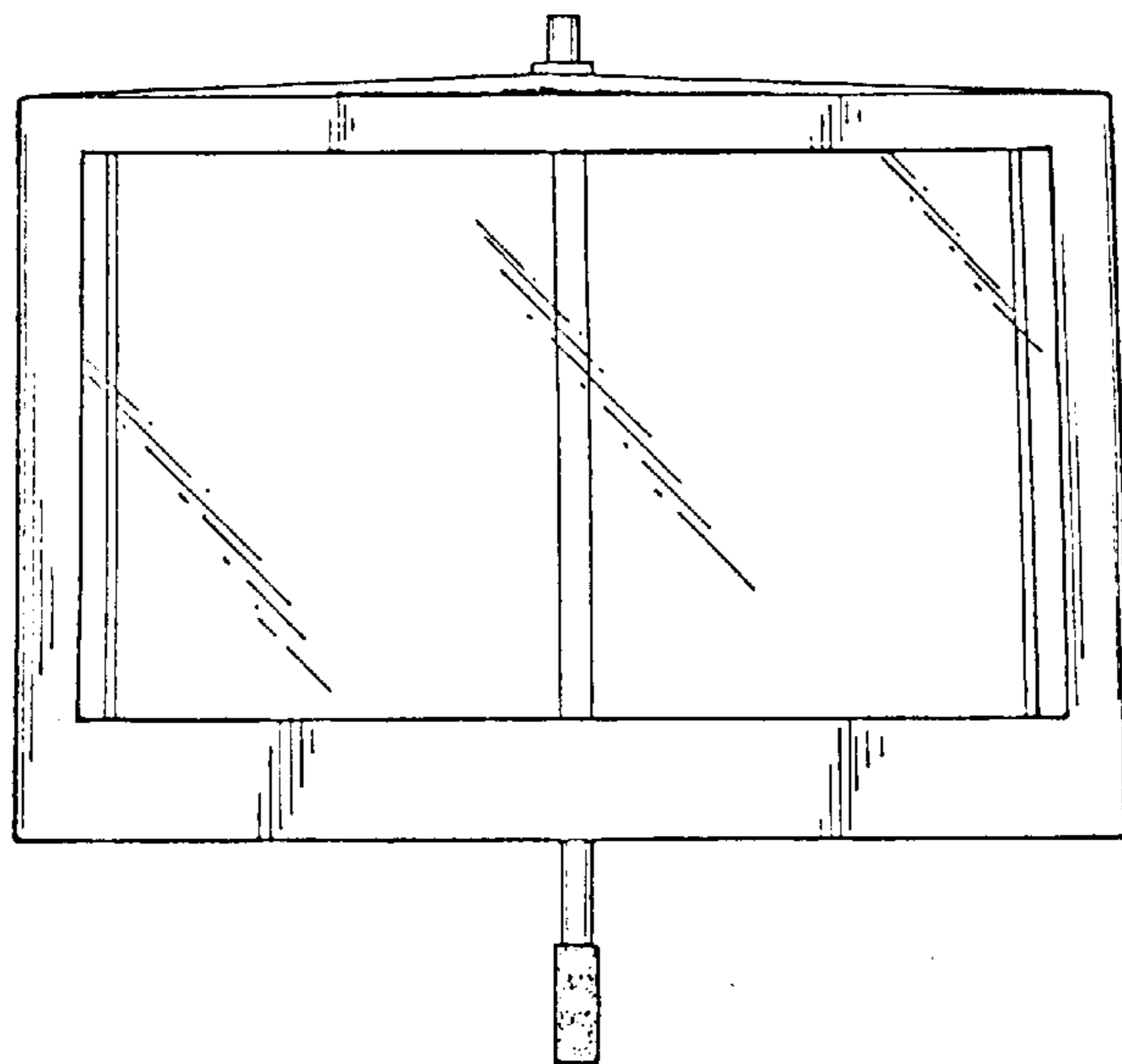


FIG. 2

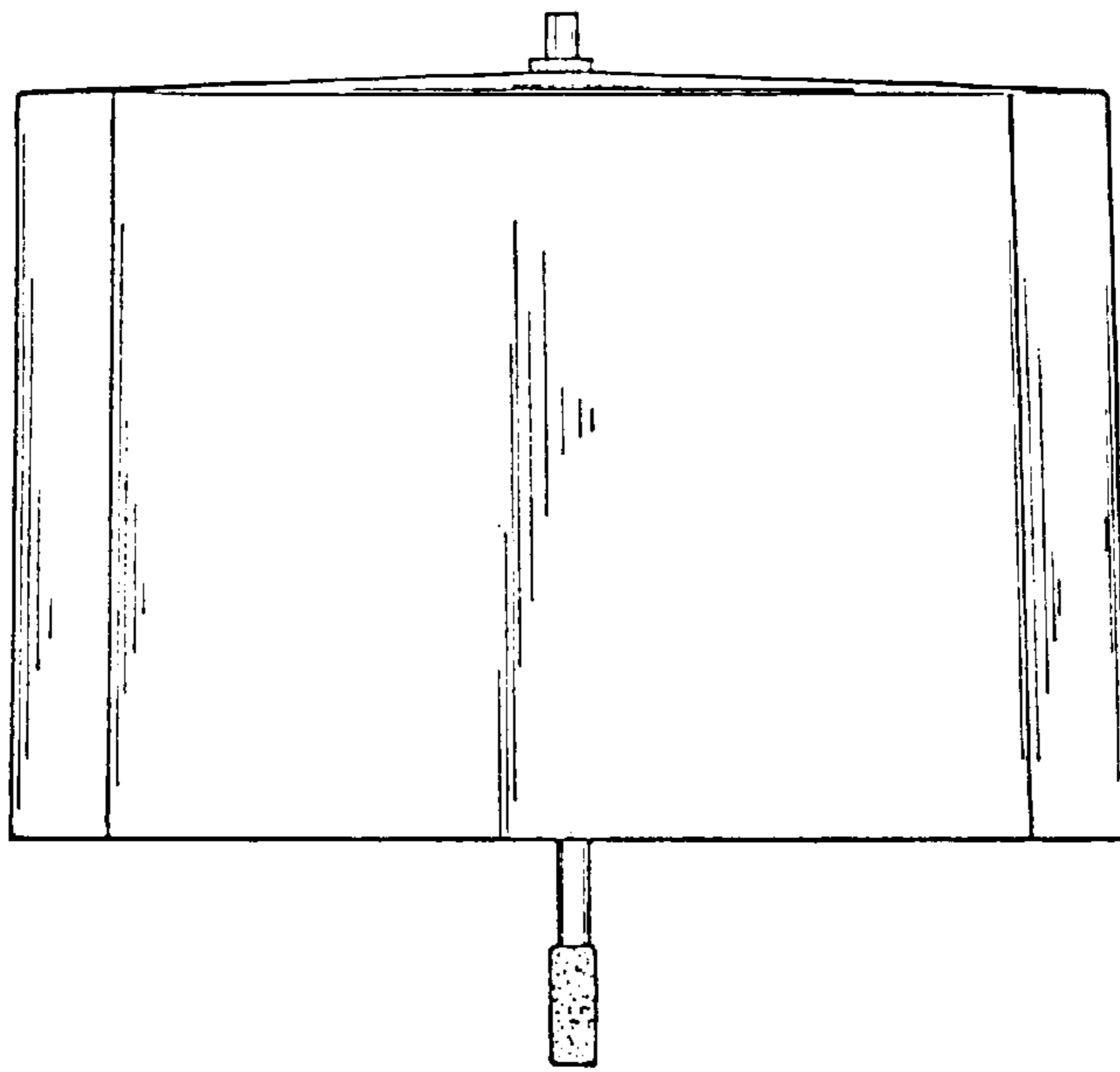


FIG. 3

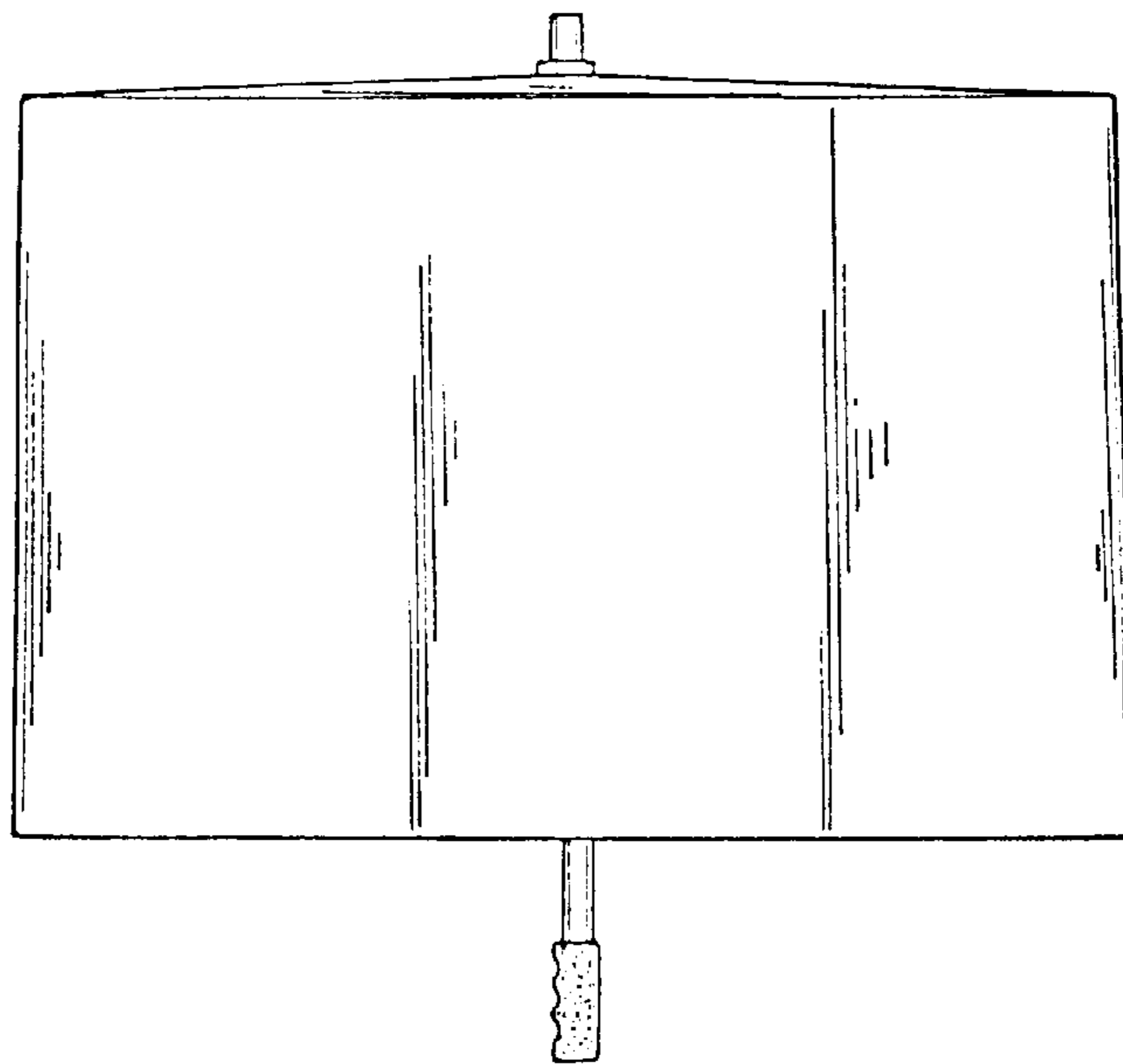


FIG. 4

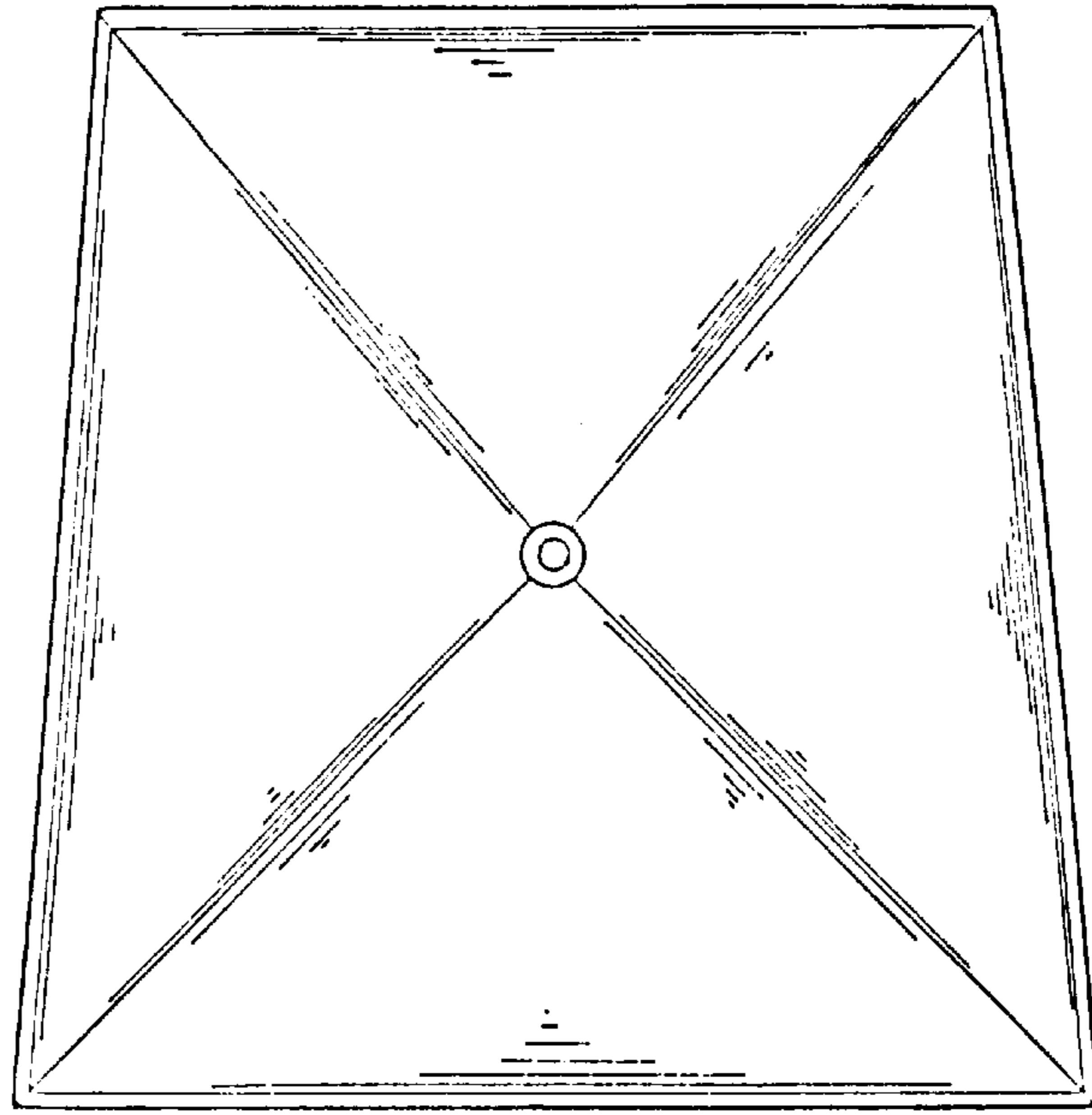


FIG. 5

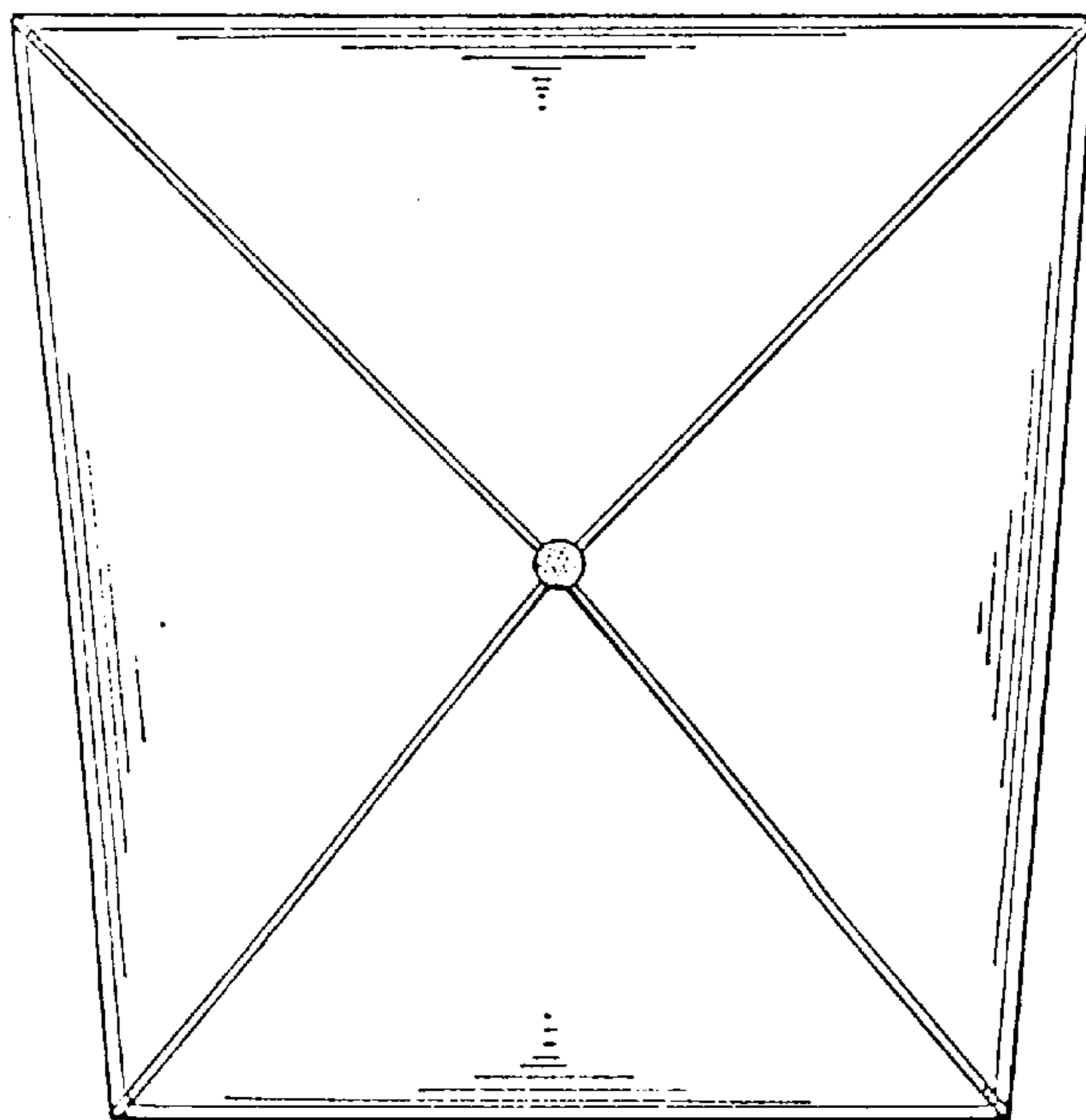


FIG. 6