



US00D418670S

United States Patent [19] Wilcox

[11] **Patent Number: Des. 418,670**
[45] **Date of Patent: ** Jan. 11, 2000**

[54] **LIGHTWEIGHT SHOE TREE**

2,473,176 6/1949 Schoshusen 12/115.8
2,879,527 3/1959 Davis 12/115.8
3,239,860 3/1966 Iredale 12/115.8

[75] Inventor: **Jay P. Wilcox**, Cedarburg, Wis.

[73] Assignee: **Allen-Edmonds Shoe Corporation**,
Port Washington, Wis.

Primary Examiner—Dominic Simone
Attorney, Agent, or Firm—Andrus, Scales, Starke &
Sawall

[**] Term: **14 Years**

[57] CLAIM

[21] Appl. No.: **29/080,030**

The ornamental design for a lightweight shoe tree, as shown and described.

[22] Filed: **Nov. 26, 1997**

DESCRIPTION

[51] **LOC (7) Cl.** **02-99**

[52] **U.S. Cl.** **D2/979**

[58] **Field of Search** D2/979; 12/114.2–117.4

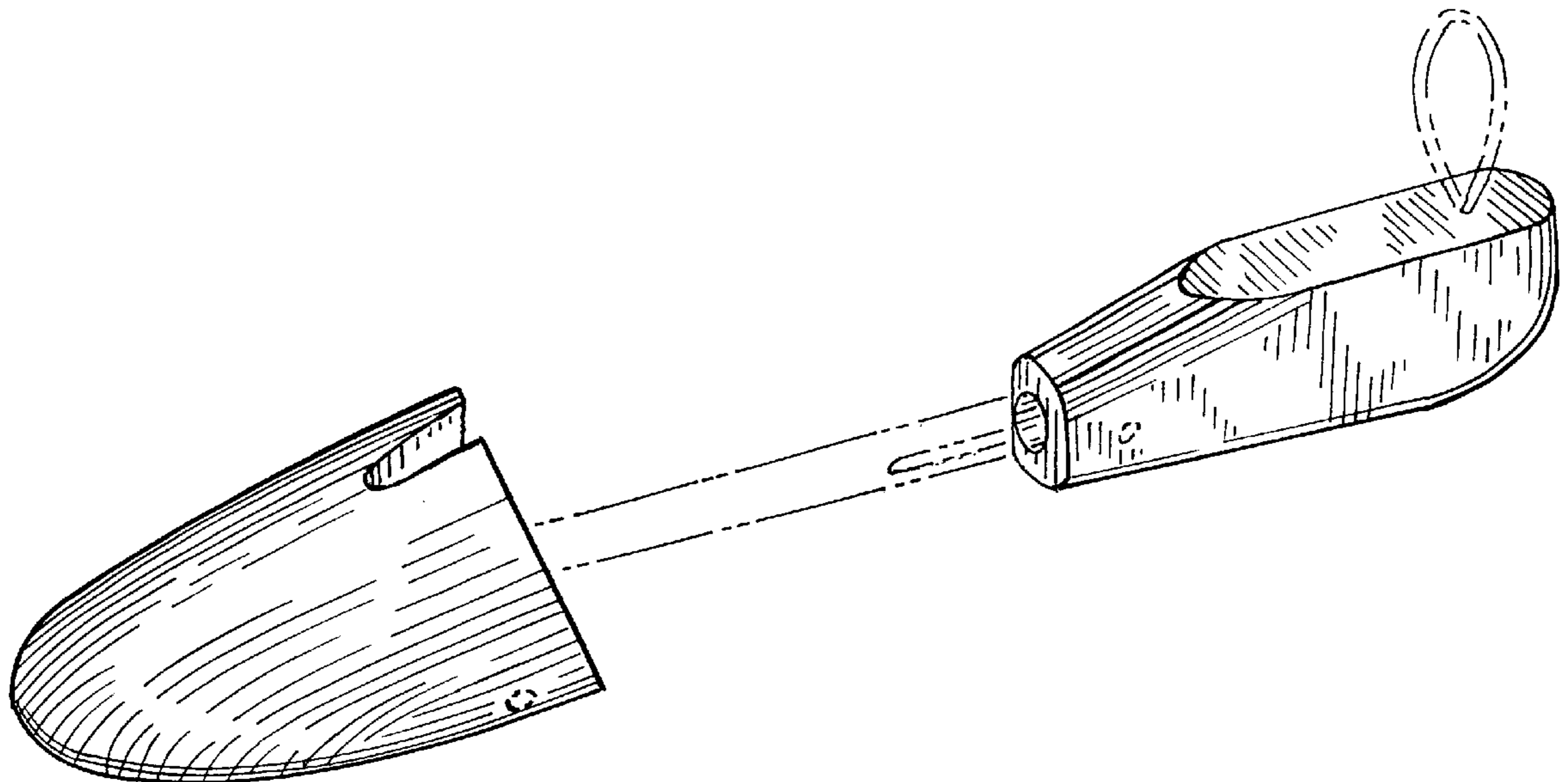
FIG. 1 is a perspective view of a lightweight shoe tree showing my new design;
FIG. 2 is a front elevational view thereof;
FIG. 3 is a rear elevational view thereof;
FIG. 4 is a top plan view thereof;
FIG. 5 is a bottom plan view thereof; and,
FIG. 6 is a left side elevational view thereof, the right side elevational view being a mirror image.

[56] References Cited

U.S. PATENT DOCUMENTS

D. 135,936	7/1943	Mutch	D2/979
D. 154,681	8/1949	Ironside et al.	D2/979
D. 331,828	12/1992	Issler	D2/979
D. 336,149	6/1993	Carmichael	D2/979

1 Claim, 2 Drawing Sheets



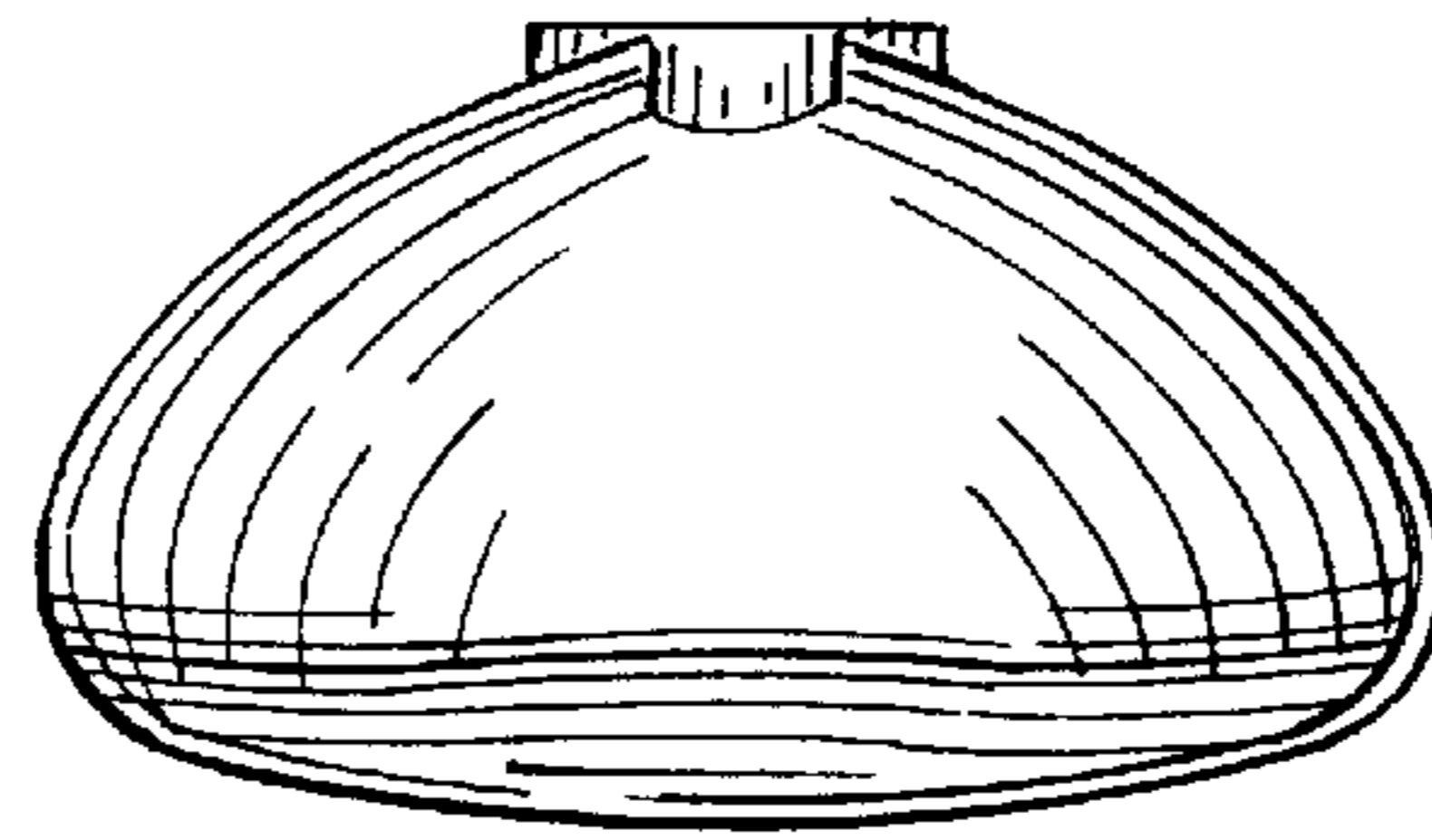
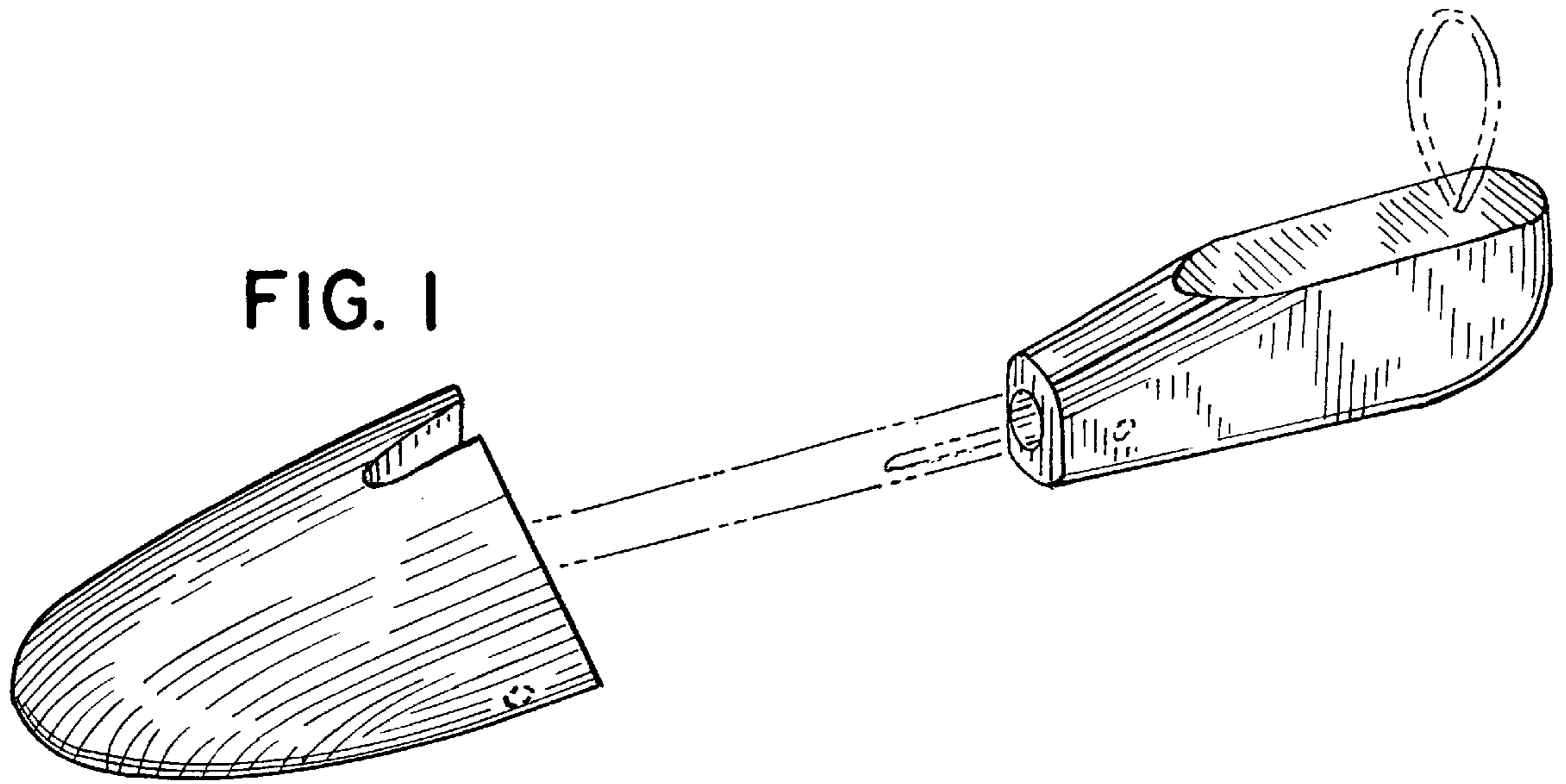


FIG. 2

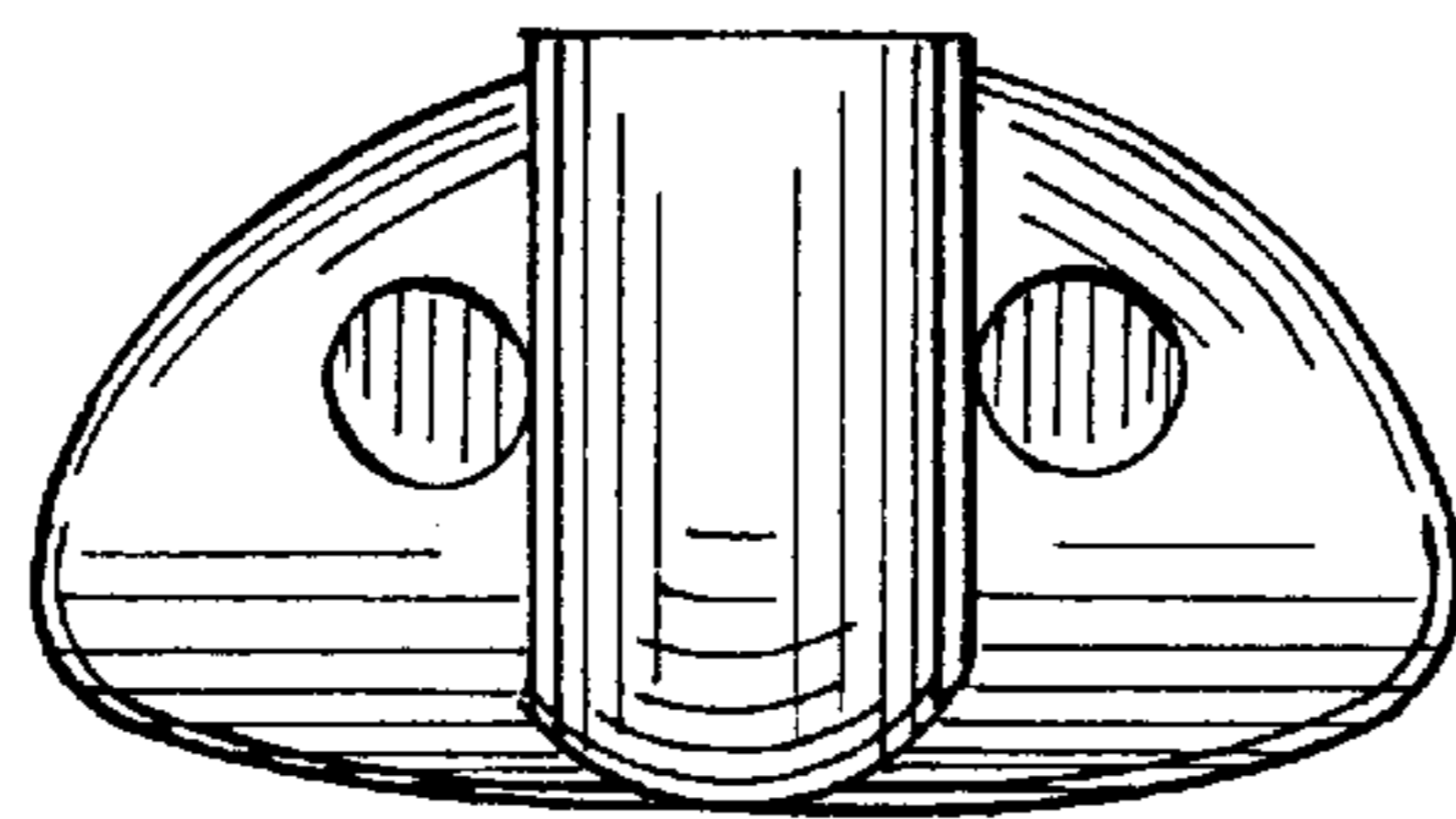


FIG. 3

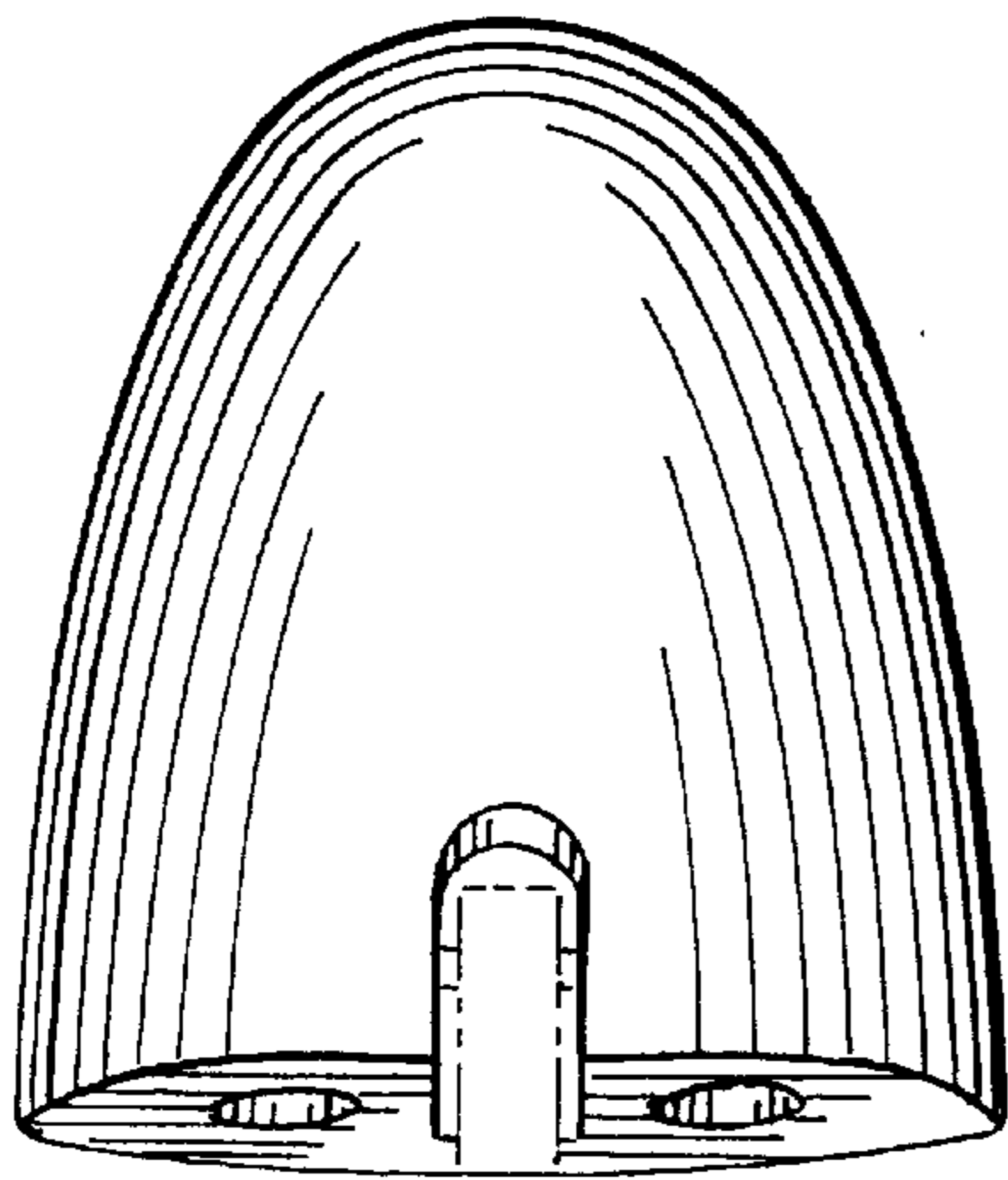


FIG. 4

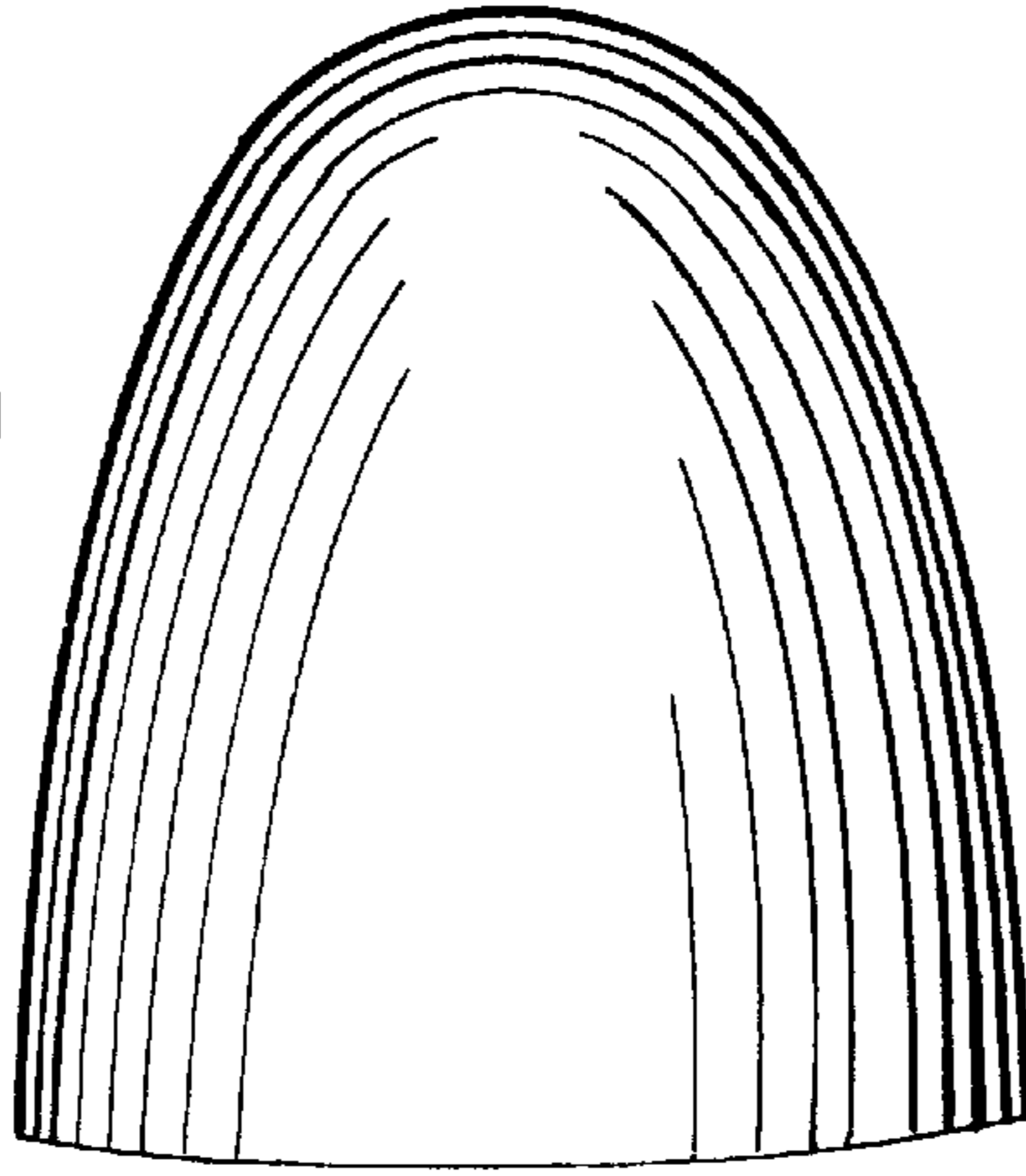


FIG. 5

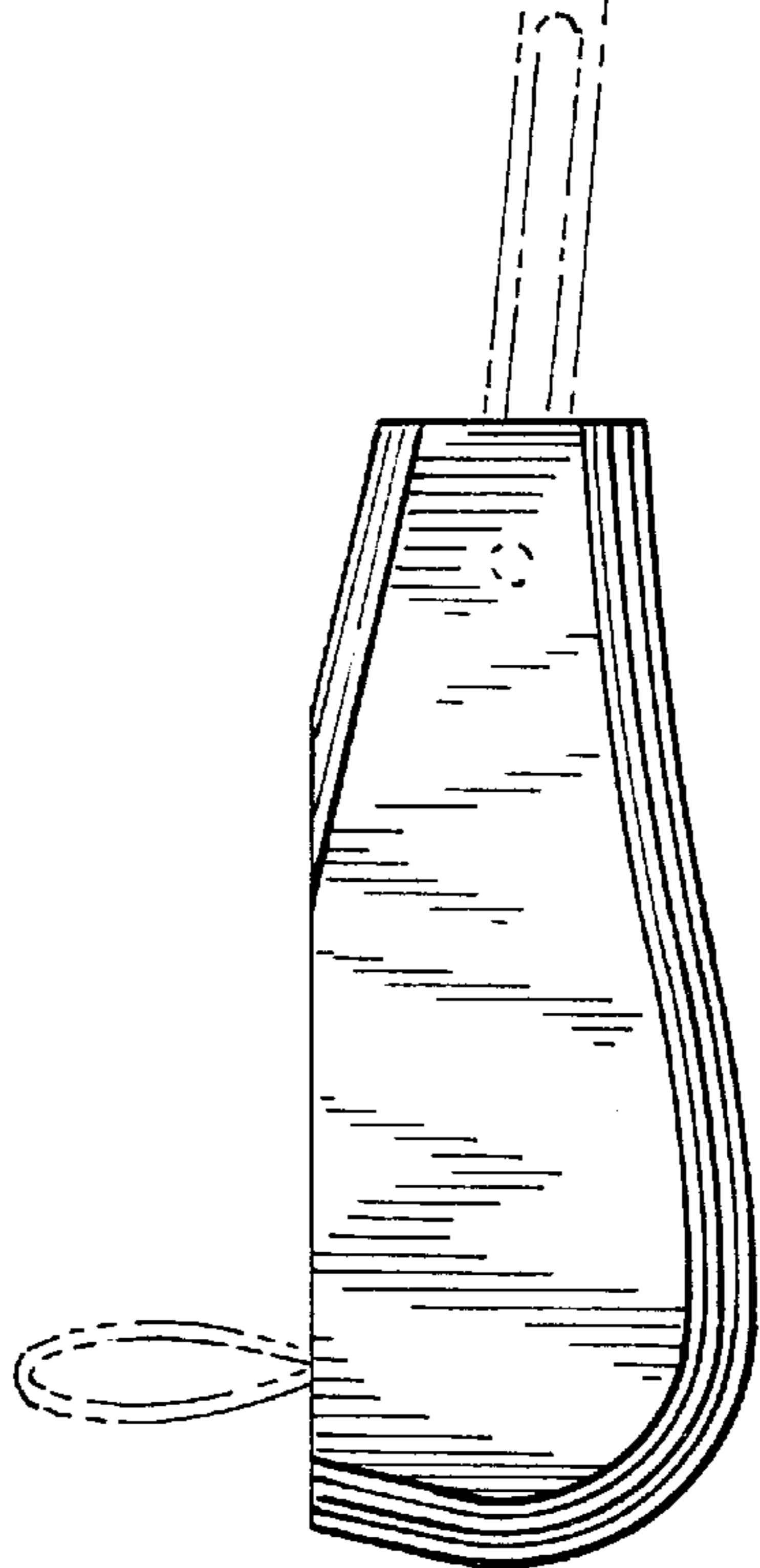
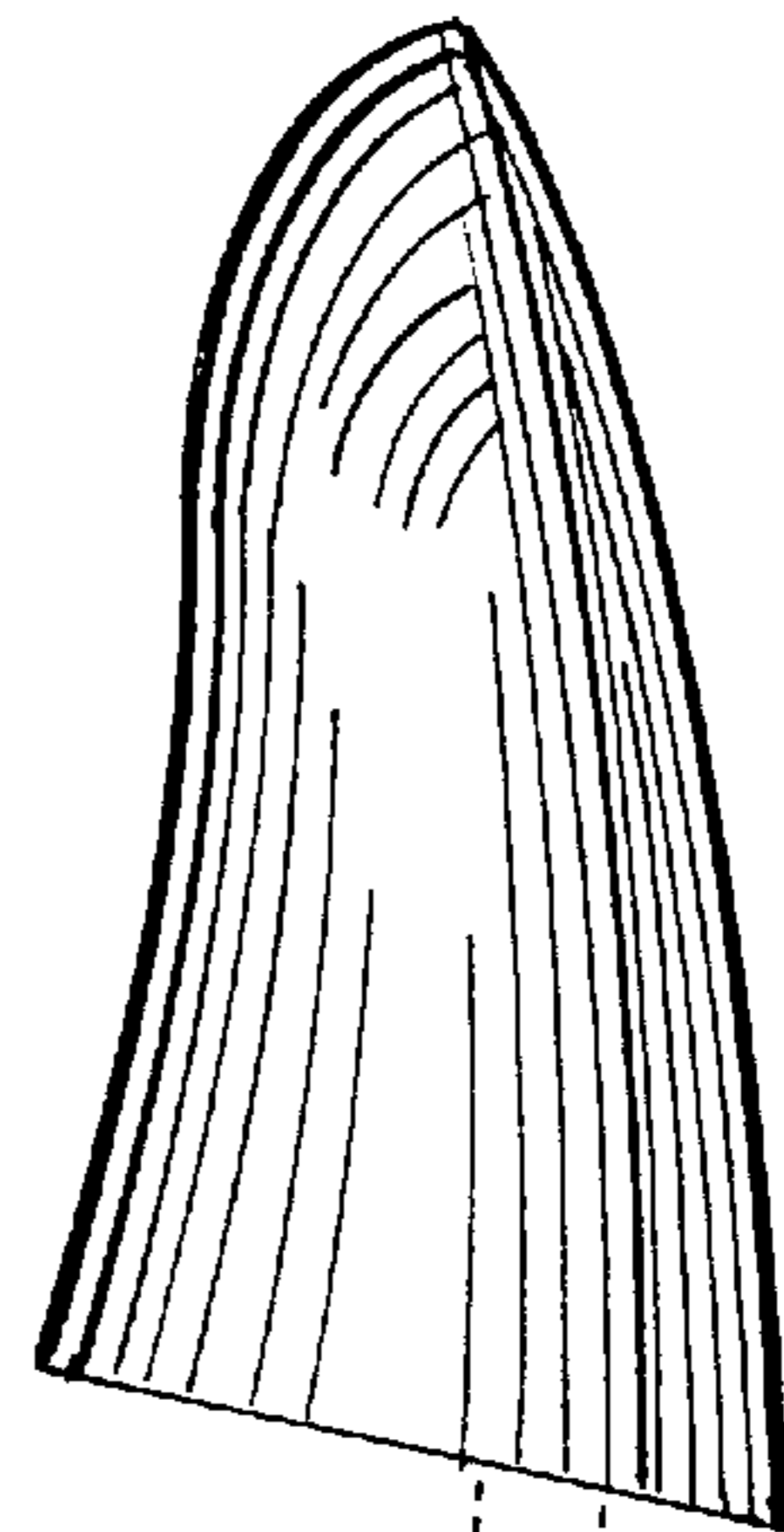
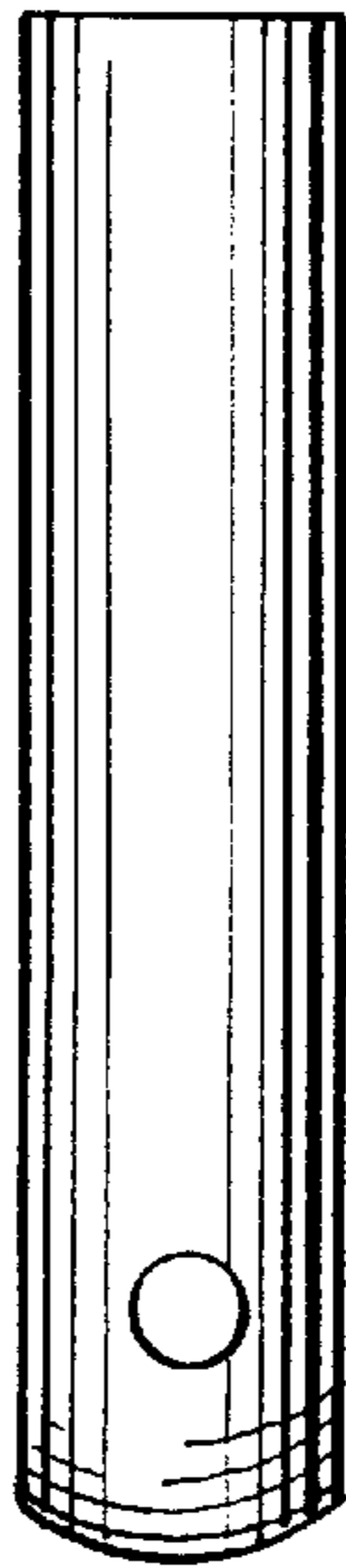


FIG. 6