



US00D418656S

United States Patent [19] Andersson

[11] Patent Number: Des. 418,656
[45] Date of Patent: ** Jan. 4, 2000

[54] **VIBRATING SCREEN**

[75] Inventor: **Anders Andersson**, Arbrå, Sweden

[73] Assignee: **Svedala Arbrå AB**, Arbrå, Sweden

[**] Term: **14 Years**

[21] Appl. No.: **29/095,523**

[22] Filed: **Oct. 26, 1998**

[30] **Foreign Application Priority Data**

May 14, 1998 [SE] Sweden 98 1068

[51] **LOC (7) Cl.** **12-05**

[52] **U.S. Cl.** **D34/29**

[58] **Field of Search** D32/29, 28; 198/624,
198/643; 210/236, 400, 526; 209/314, 399,
405, 332

4,732,670 3/1988 Nelson 209/314
4,840,728 6/1989 Conolly et al. 209/405
4,842,076 6/1989 Welp 210/400
5,219,078 6/1993 Hadden 209/314
5,242,583 9/1993 Thomas 210/400
5,571,404 11/1996 Derental 210/400
5,641,070 6/1997 Seyffert 209/314
5,676,829 10/1997 Cotterill 210/400
5,749,471 5/1998 Andersson 209/314
5,816,413 10/1998 Boccabella et al. 209/399
5,919,358 7/1999 Williams 210/236

Primary Examiner—Susan J. Lucas
Assistant Examiner—Cynthia E Ramirez
Attorney, Agent, or Firm—Smith, Gambrell & Russell, LLP;
Beveridge, DeGrandi, Weilacher & Young Intellectual
Property Group

[57] CLAIM

The ornamental design for a vibrating screen, as shown.

DESCRIPTION

FIG. 1 is a top perspective view showing the top surface, the left side and the back of the vibrating screen according to the new design.

FIG. 2 is a bottom perspective view showing the bottom surface, the right side and the front of the design.

FIG. 3 is an elevational view of the left side of the design.

FIG. 4 is a plan view of the bottom surface of the design; and,

FIG. 5 is a plan view of the top surface of the design.

1 Claim, 2 Drawing Sheets

[56] **References Cited**

U.S. PATENT DOCUMENTS

1,564,451 12/1925 Schroeder 210/236
1,758,557 5/1930 Bullock 210/400
1,981,081 11/1934 Simpson 209/332
2,485,952 10/1949 Apgar et al. 210/236
3,241,671 3/1966 Brauchla 210/236
3,255,885 6/1966 Burls 209/399
3,454,162 7/1969 Cover 198/624
3,666,095 5/1972 Krynock et al. 209/314
4,692,242 9/1987 Jackson 210/400

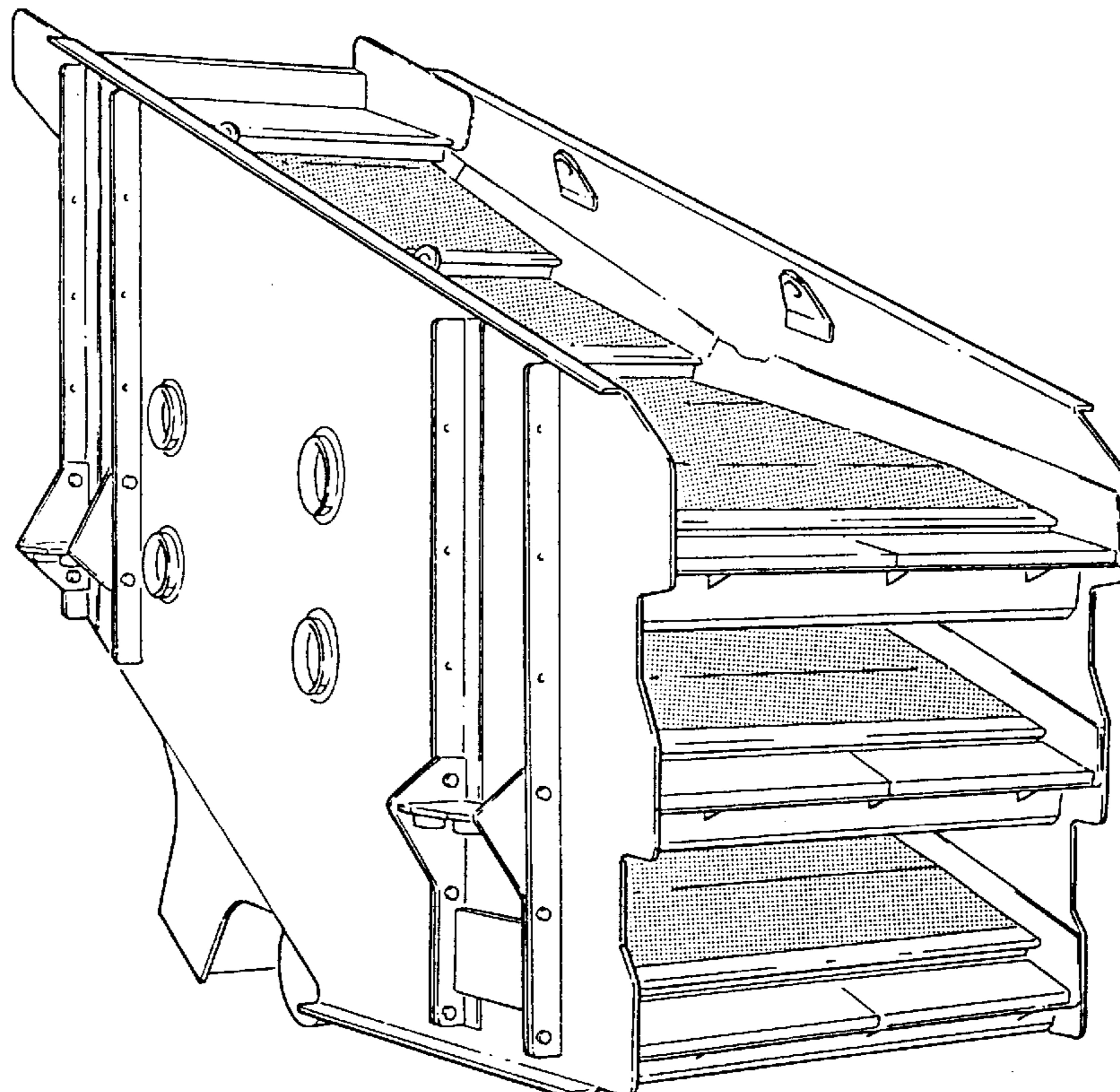


FIG 1

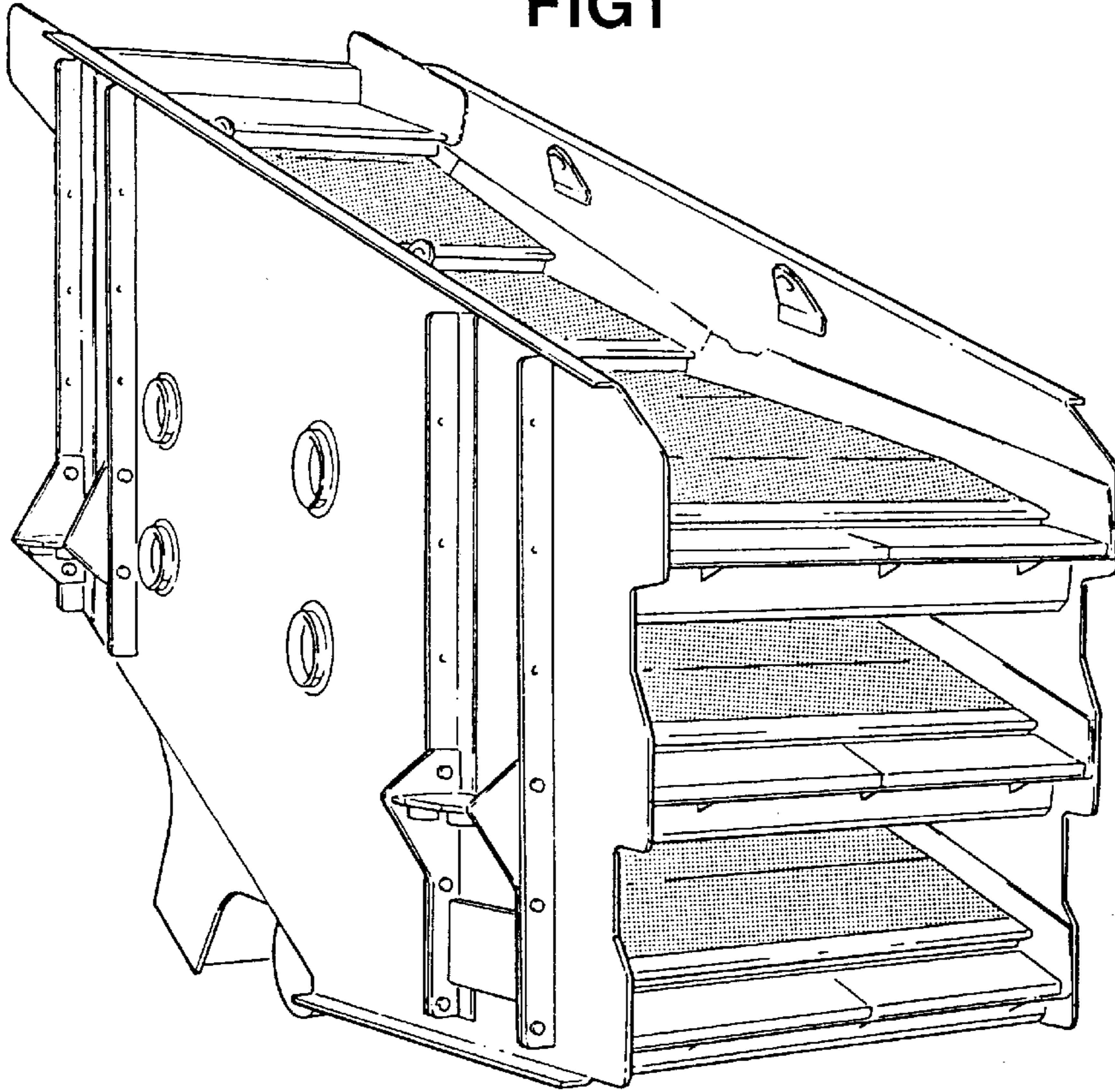
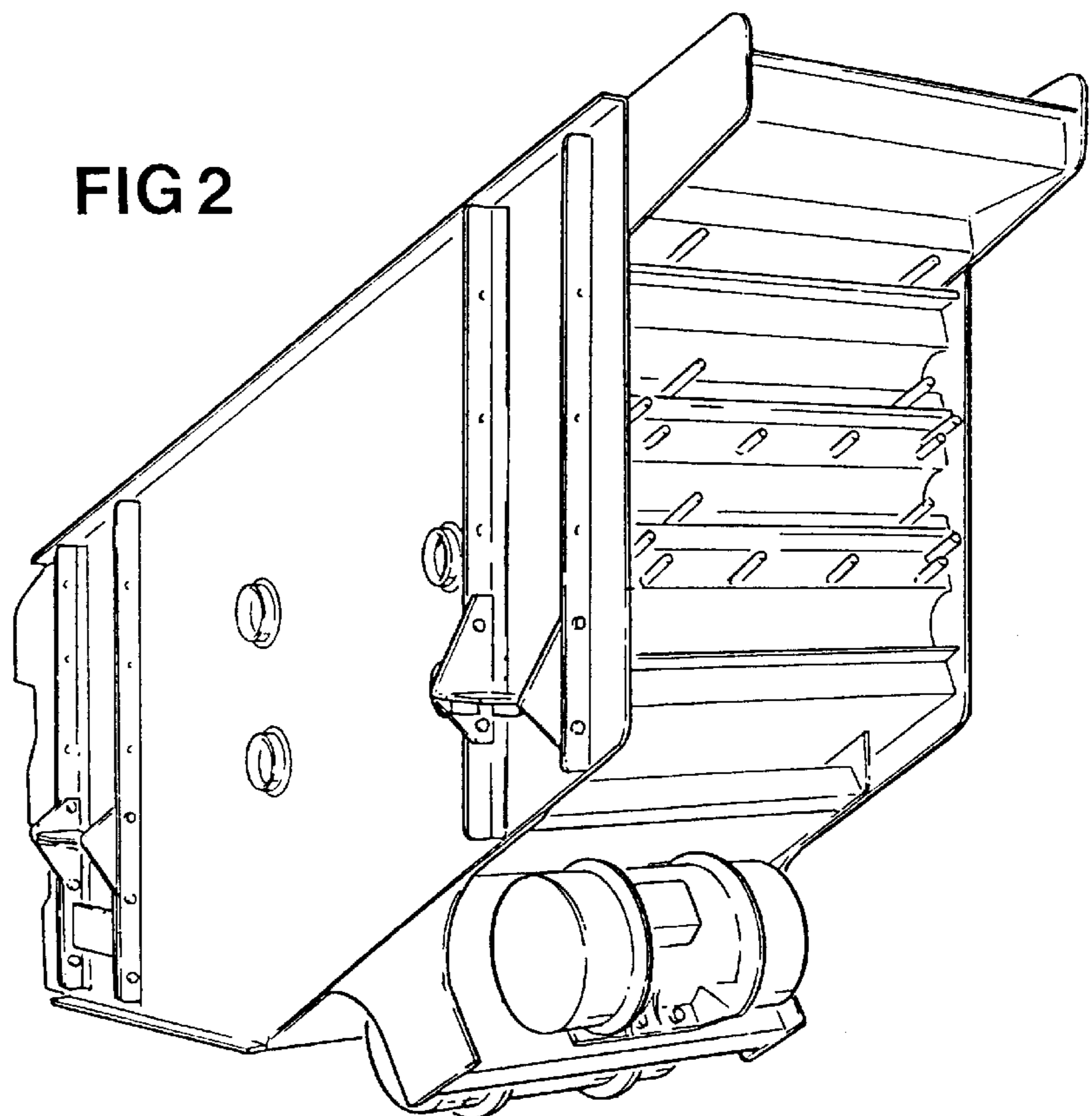


FIG 2



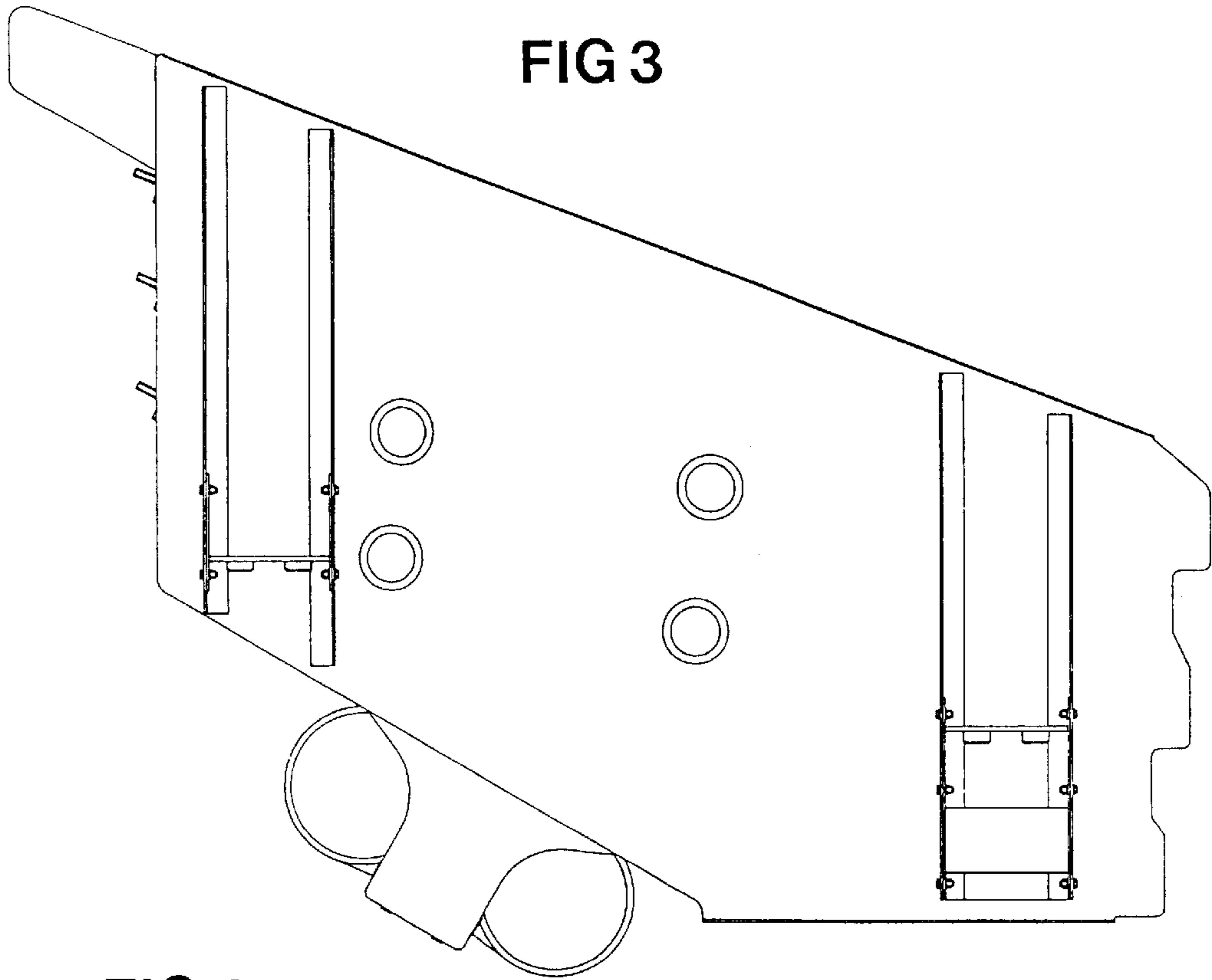


FIG 4

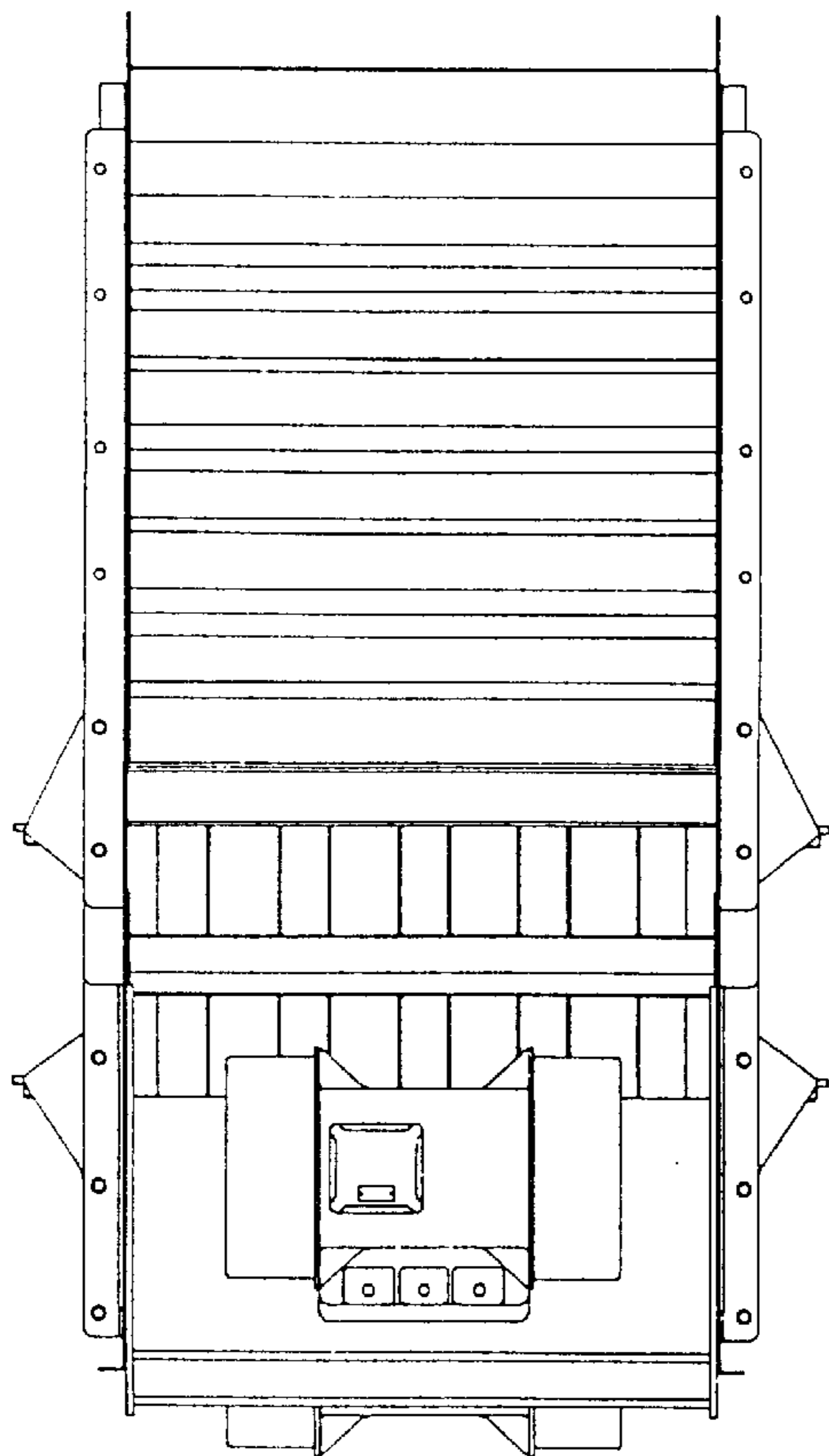


FIG.5

