



US00D418653S

United States Patent [19] Kent, Jr.

[11] **Patent Number: Des. 418,653**
[45] **Date of Patent: ** Jan. 4, 2000**

[54] **TRASH BAG HOLDER**
[76] Inventor: **John E. Kent, Jr.**, 900 Siskiyou Blvd., #A-3, Medford, Oreg. 97504
[**] Term: **14 Years**
[21] Appl. No.: **29/103,442**
[22] Filed: **Apr. 13, 1999**
[51] **LOC (7) Cl.** **09-09**
[52] **U.S. Cl.** **D34/6**
[58] **Field of Search** D34/1, 6; 248/95, 248/97, 100, 175, 176.1, 126, 133, 107; 220/908, 909, 910, 911

5,427,340 6/1995 Stromsmoe et al. 248/97
5,570,862 11/1996 Nugent .
5,775,646 7/1998 O'Leary 248/97
5,881,975 3/1999 Bianco 248/95

Primary Examiner—Susan J. Lucas
Assistant Examiner—Cynthia E Ramirez
Attorney, Agent, or Firm—Kolisch, Hartwell, Dickinson, McCormack & Heuser

[57] CLAIM

The ornamental design for a trash bag holder, as shown and described.

DESCRIPTION

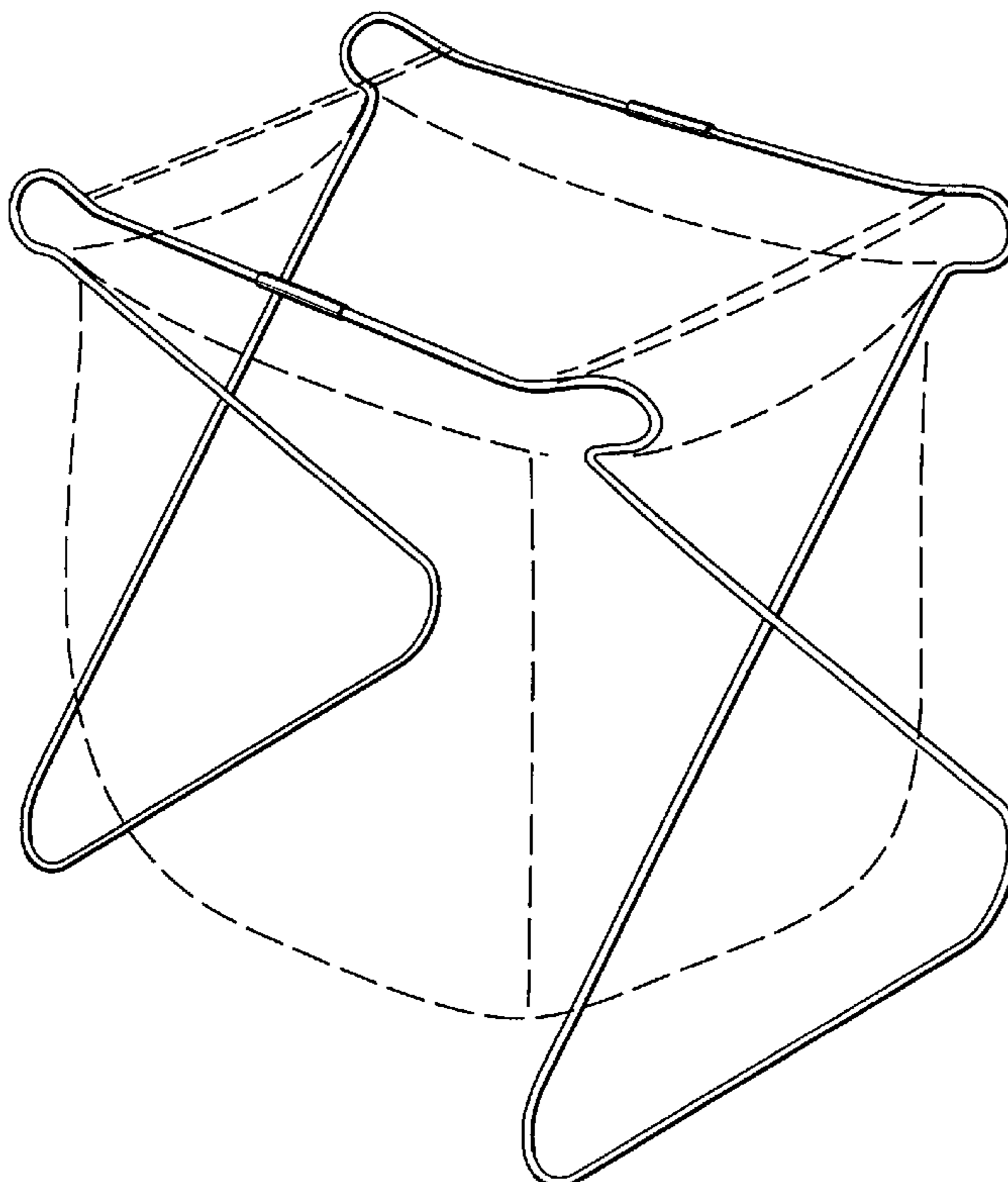
FIG. 1 is an isometric view of a trash bag holder constructed in accordance with the present invention, a trash bag being shown as environment in dashed lines;
FIG. 2 is a front elevation view of the trash bag holder shown in FIG. 1, the rear elevation view being a mirror image thereof;
FIG. 3 is a right-side elevation view of the trash bag holder shown in FIG. 1, the left-side elevation view being a mirror image thereof;
FIG. 4 is a top plan view of the trash bag holder shown in FIG. 1; and,
FIG. 5 is a bottom plan view of the trash bag holder shown in FIG. 1.
The broken line showing of a bag in the figures is for illustrative purposes only and forms no part of the claimed design.

[56] References Cited

U.S. PATENT DOCUMENTS

D. 404,861	1/1999	Balensiefer, II	D32/37
957,652	5/1910	Bush .		
2,010,789	8/1935	Roesel	248/97
2,908,463	10/1959	Chenette	220/909
3,420,483	1/1969	Stalker	248/97
4,175,602	11/1979	Cavalaris et al. .		
4,196,880	4/1980	Hynes .		
4,467,989	8/1984	Stroh	248/97
4,638,967	1/1987	MacDuffee .		
4,664,455	5/1987	Greenhow	248/95
4,692,050	9/1987	Kaufman	248/97 X
4,893,769	1/1990	Rotelli .		
4,953,815	9/1990	Beymer et al.	248/97
5,169,101	12/1992	Wenzel et al.	248/97
5,213,291	5/1993	Wiebe	248/97
5,360,189	11/1994	Hart .		

1 Claim, 2 Drawing Sheets



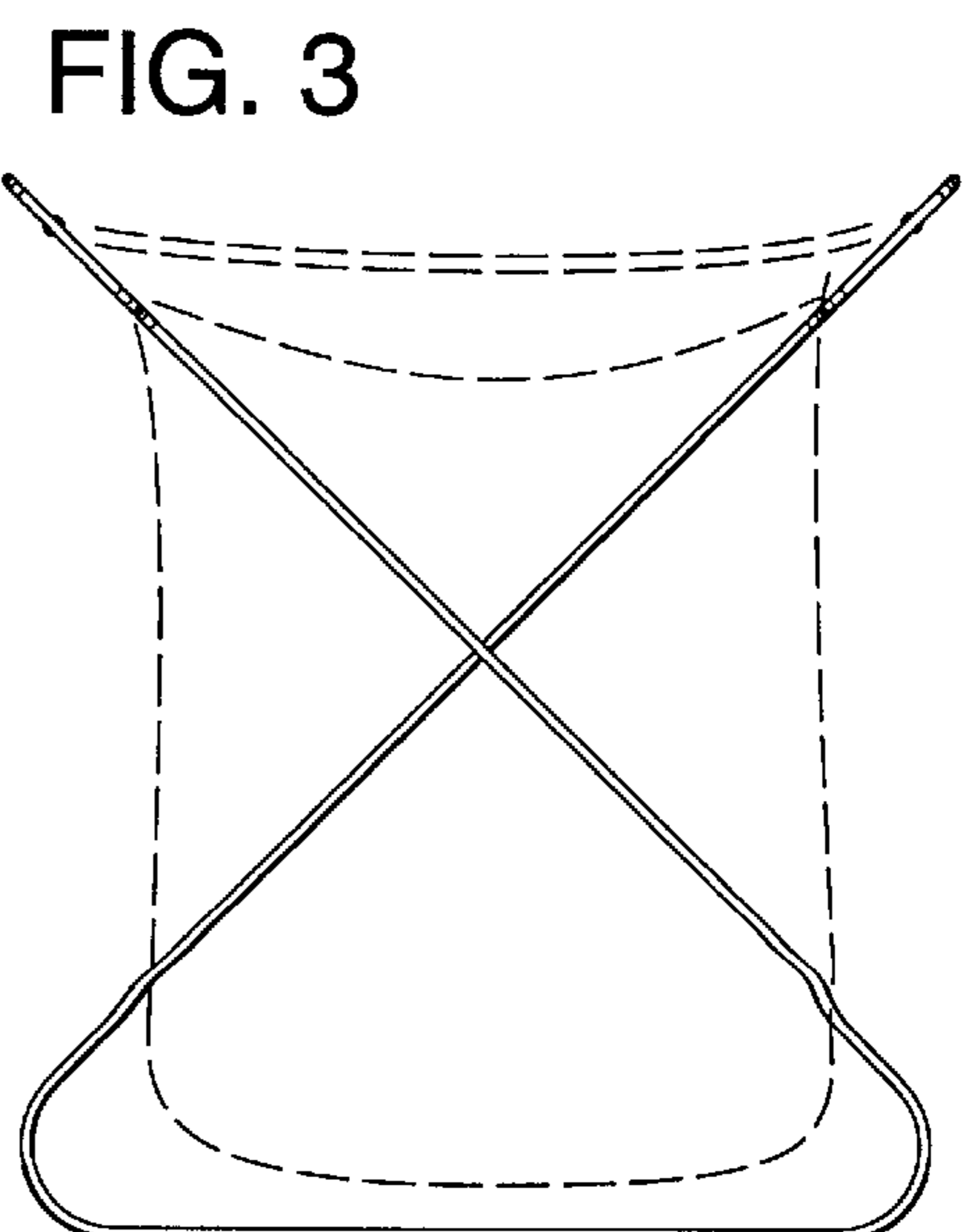
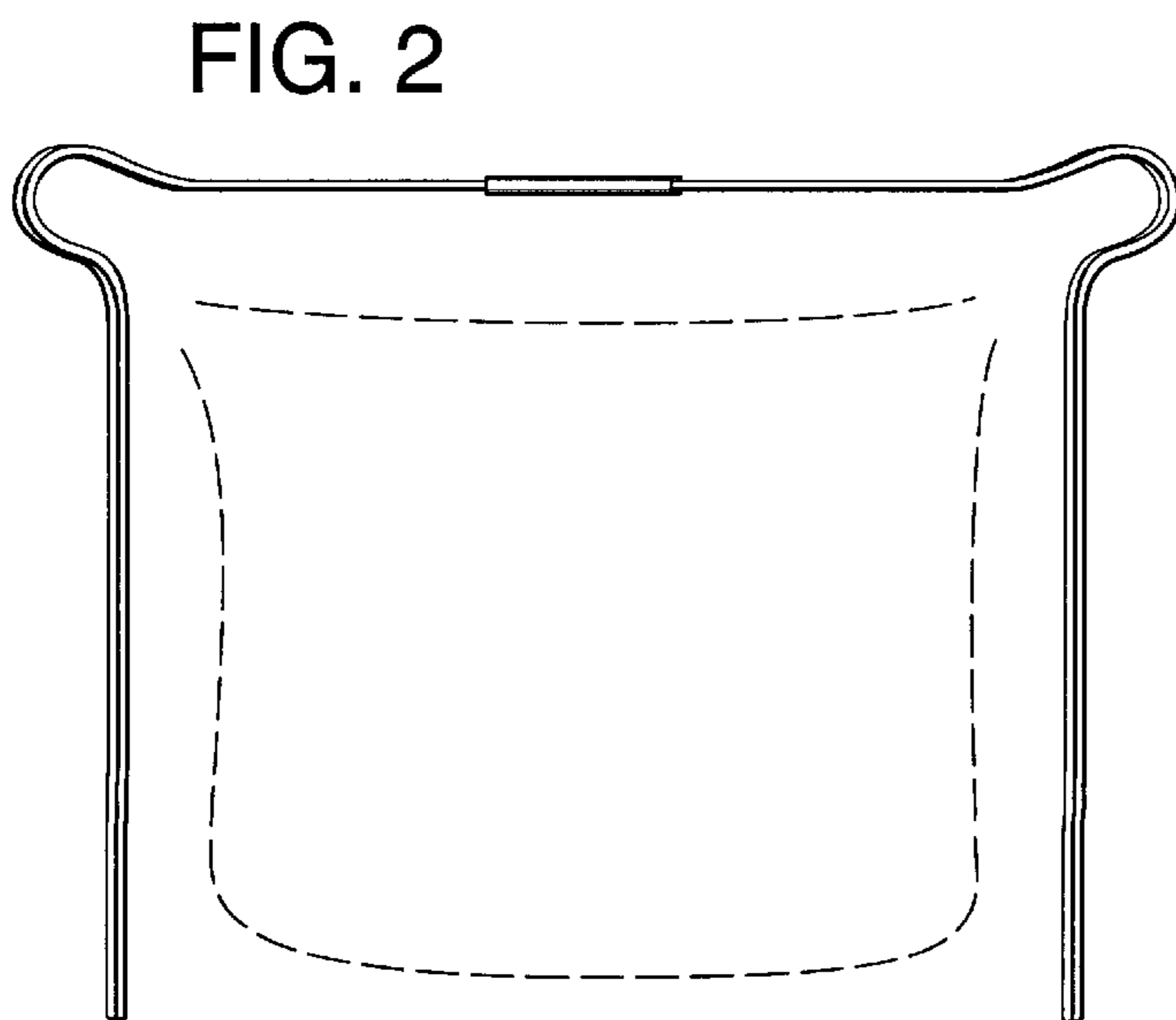
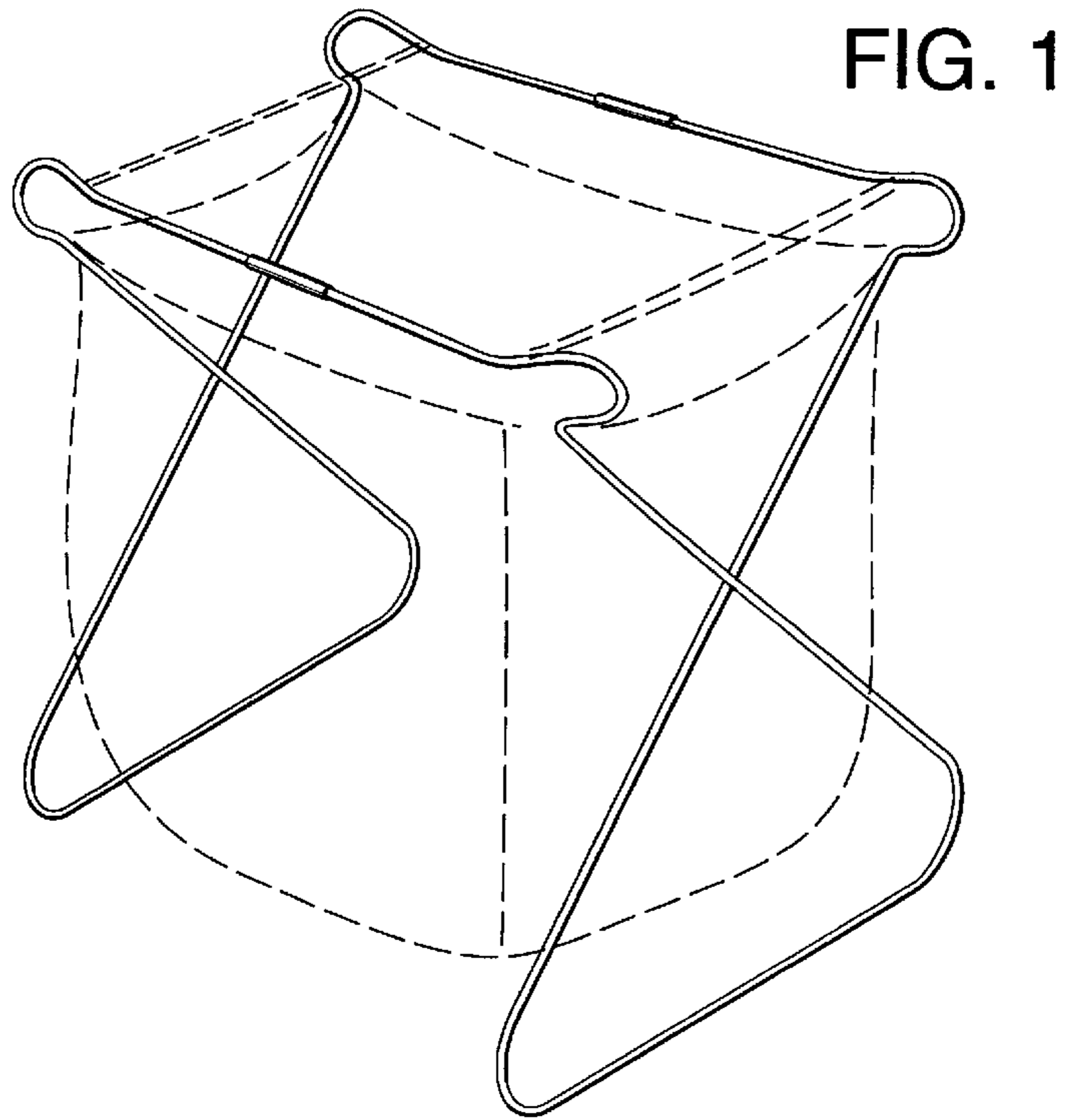


FIG. 4

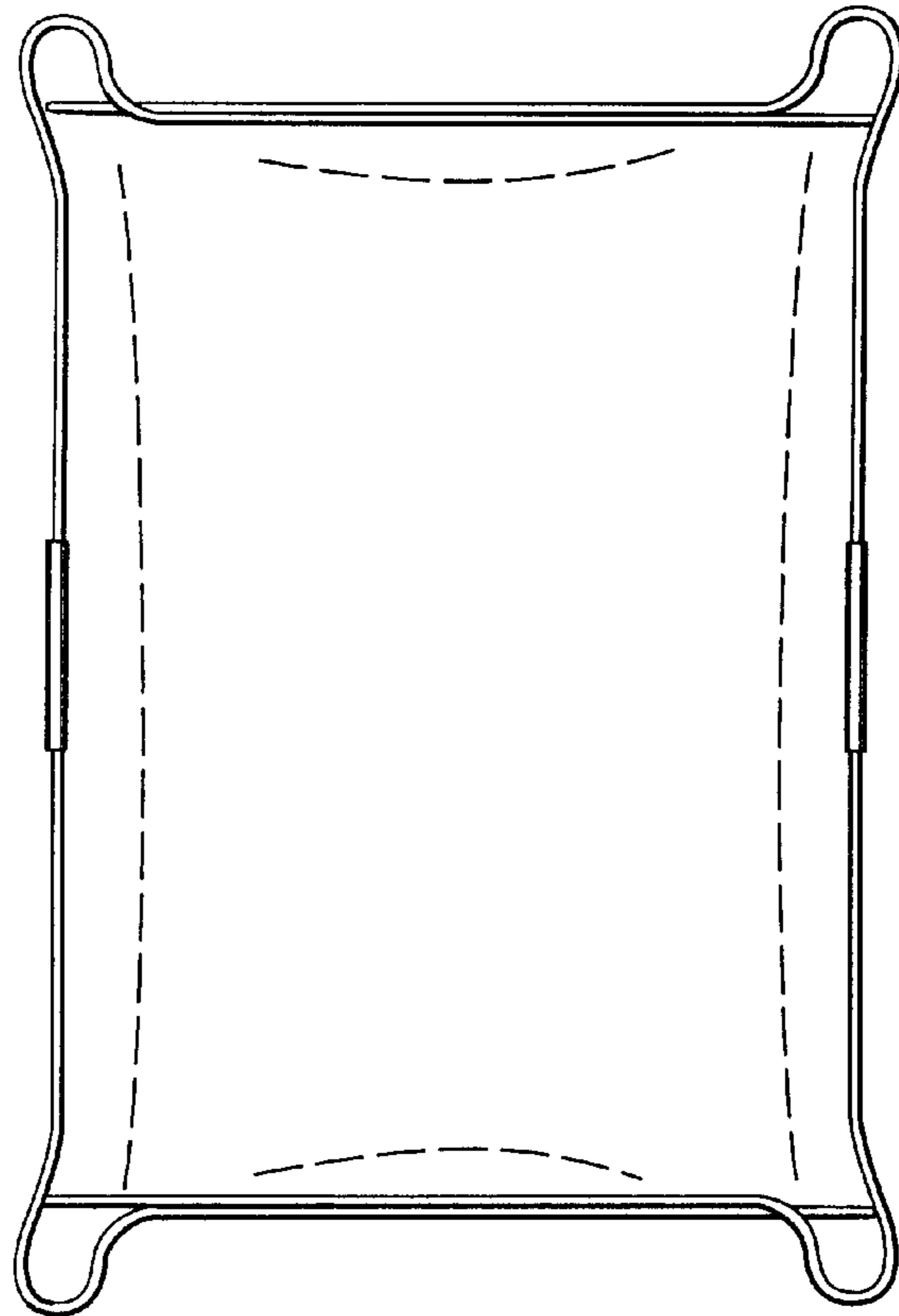


FIG. 5

