



US00D418650S

**United States Patent** [19]  
**Neuhaus**

[11] **Patent Number: Des. 418,650**  
[45] **Date of Patent: \*\* Jan. 4, 2000**

[54] **TRASH CAN**

[75] Inventor: **Egbert Neuhaus**, Arnsberg, Germany

[73] Assignee: **Westermann KG**, Arnsberg, Germany

[\*\*] Term: **14 Years**

[21] Appl. No.: **29/091,538**

[22] Filed: **Jul. 31, 1998**

[30] **Foreign Application Priority Data**

Feb. 13, 1998 [DE] Germany ..... M 98 01 339

[51] **LOC (7) Cl.** ..... **09-09**

[52] **U.S. Cl.** ..... **D34/1**

[58] **Field of Search** ..... D34/1-11; 220/262,  
220/908, 909, 910, 911, 263, 263.4; 232/43.2

[56] **References Cited**

**U.S. PATENT DOCUMENTS**

D. 123,212	10/1940	Lumley	.....	D34/1
D. 196,079	8/1963	Marsh	.....	D34/1
D. 359,825	6/1995	Freedland	.....	D34/1
D. 383,277	9/1997	Peters	.....	D34/1
2,063,507	12/1936	Karper	.	
2,348,349	5/1944	Lumley	.....	220/908
3,219,227	11/1965	Deisner	.....	220/909
3,904,218	9/1975	Kostic	.....	220/909 X
5,170,904	12/1992	Neuhaus	.	
5,292,023	3/1994	Yen	.....	220/264
5,295,607	3/1994	Chang	.....	220/263
5,881,896	3/1999	Presnell et al.	.....	220/263 X

**FOREIGN PATENT DOCUMENTS**

0426956 5/1992 European Pat. Off. .

0440889	5/1993	European Pat. Off. .
530271	7/1931	Germany .
9002081	6/1990	Germany .
9206655	10/1993	Germany .

**OTHER PUBLICATIONS**

Promaco Inc. Catalog, p. 4, Dome Top Waste Receptacle, 1988.

Hold Everything Catalog, p. 30, Bullet Wastebin, Aug. 1989.

*Primary Examiner*—Susan J. Lucas

*Assistant Examiner*—Cynthia E. Ramirez

*Attorney, Agent, or Firm*—Martin A. Farber

[57] **CLAIM**

The ornamental design for a trash can, as shown and described.

**DESCRIPTION**

FIG. 1 is a perspective view of a trash can of my invention; FIG. 2 is a front elevational view of FIG. 1 of the trash can in accordance with my invention;

FIG. 3 is a right-side elevational view of FIG. 1 of a trash can of my invention;

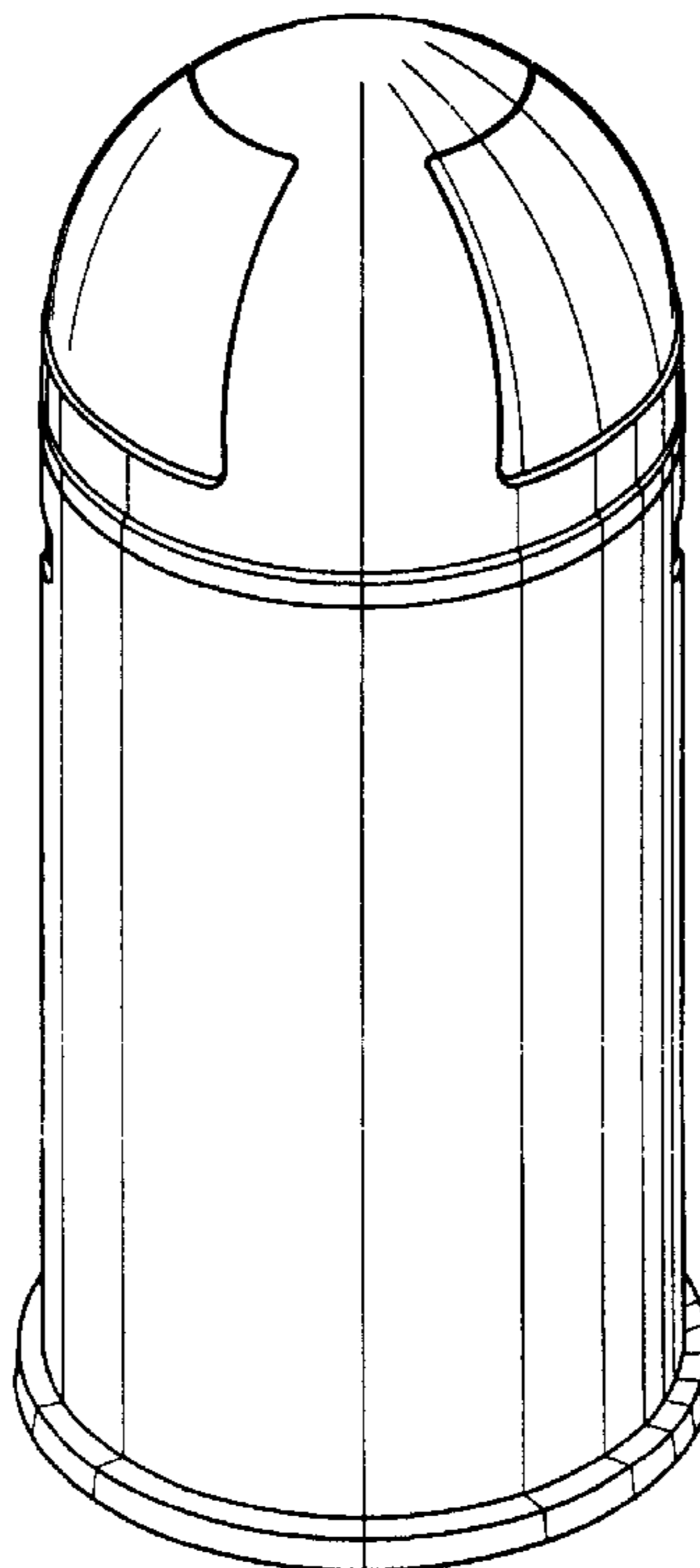
FIG. 4 is a left-side elevational view of FIG. 1 of a trash can of my invention;

FIG. 5 is a rear elevational view of FIG. 1 of a trash can of my invention;

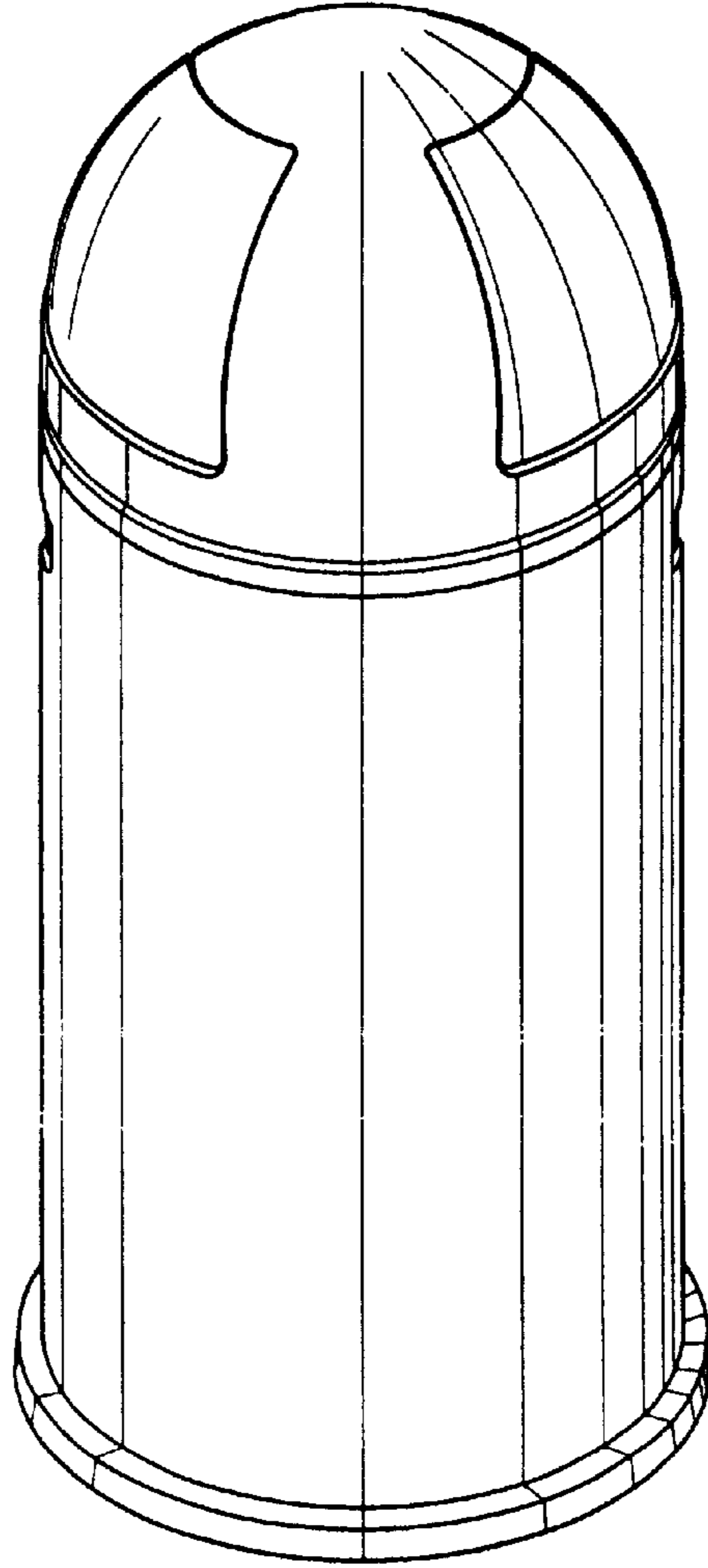
FIG. 6 is a bottom view of FIG. 1 of a trash can of my invention; and,

FIG. 7 is a top view of FIG. 1 of a trash can of my invention.

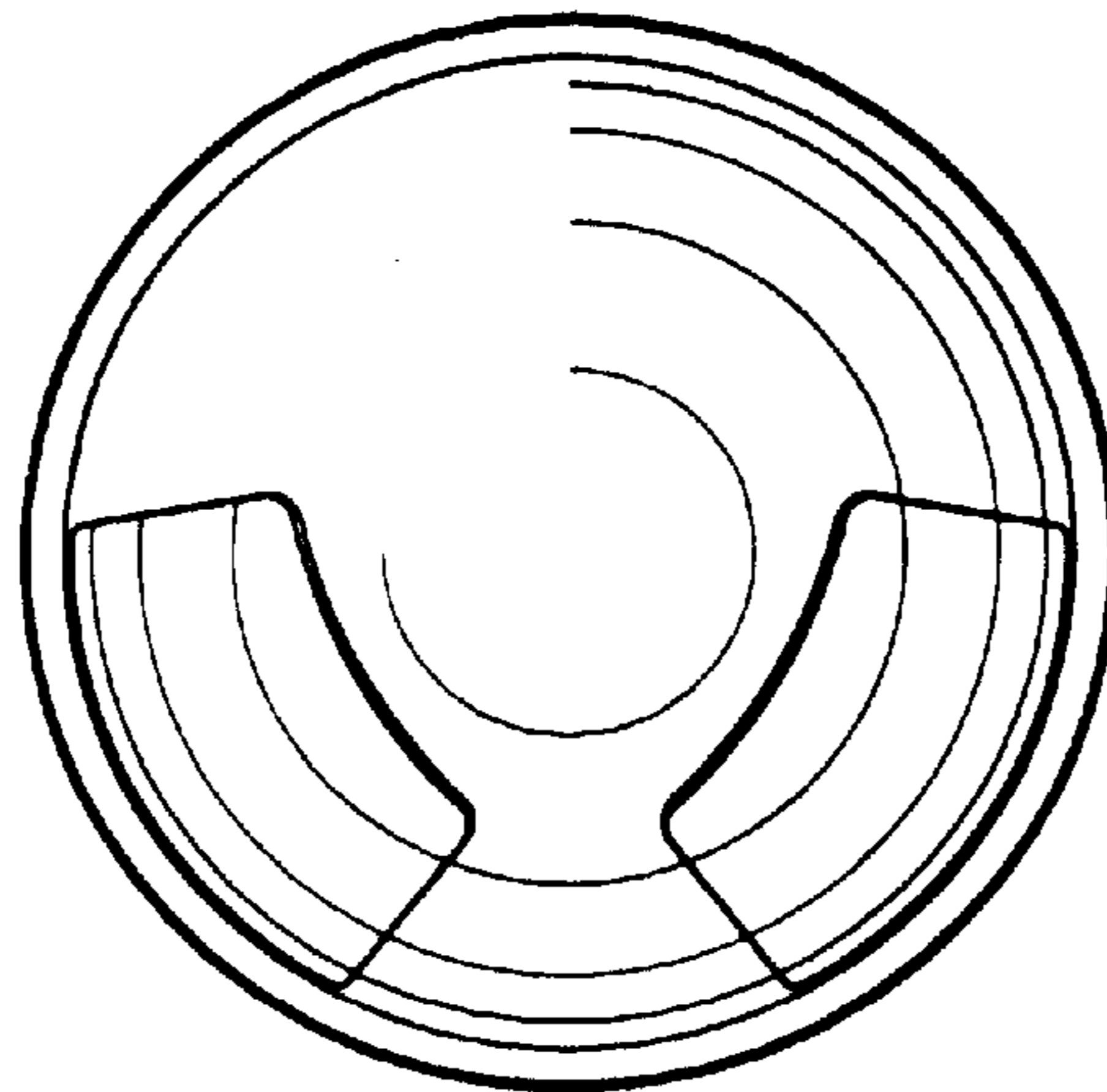
**1 Claim, 2 Drawing Sheets**

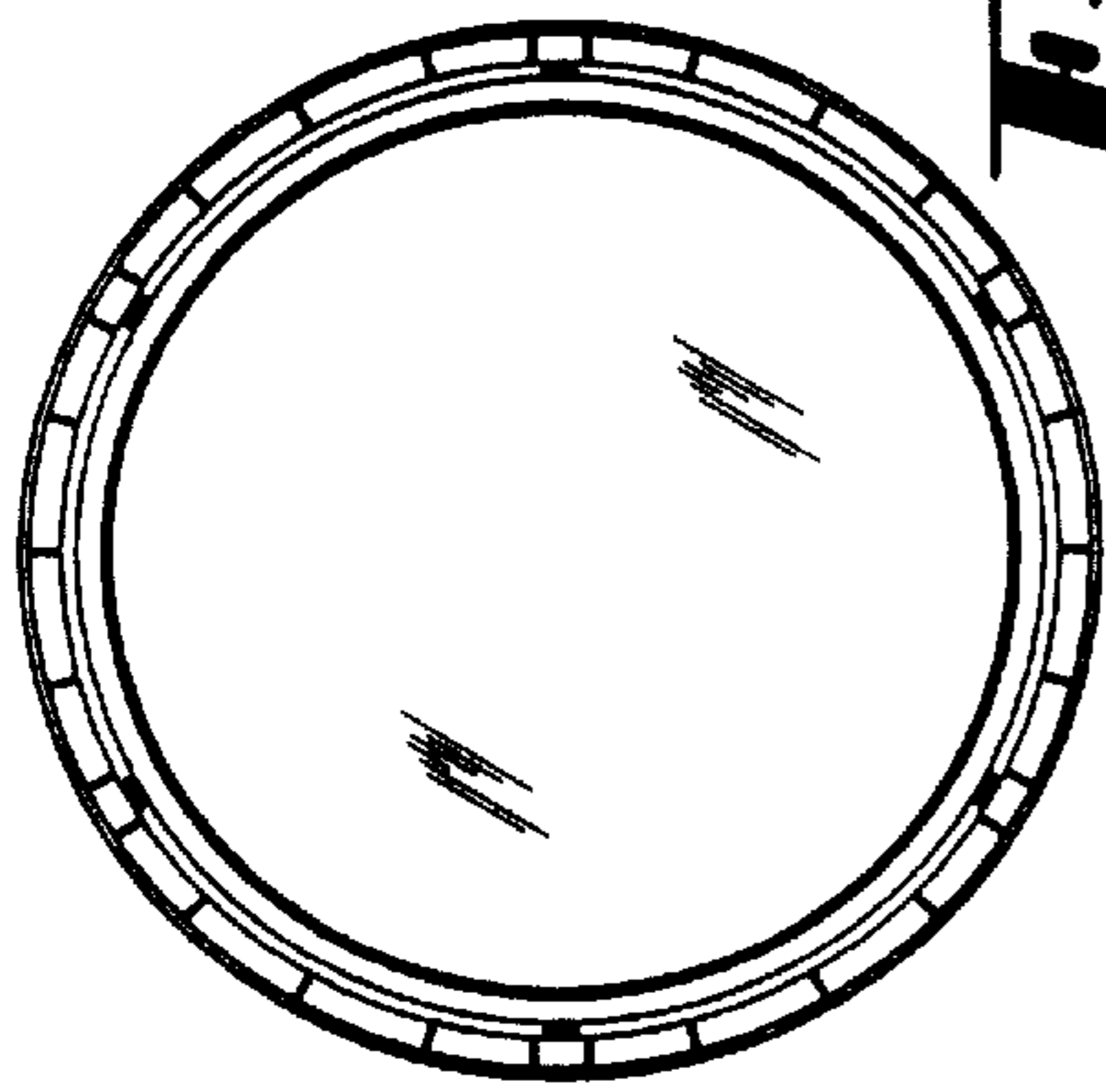


***Fig. 1***

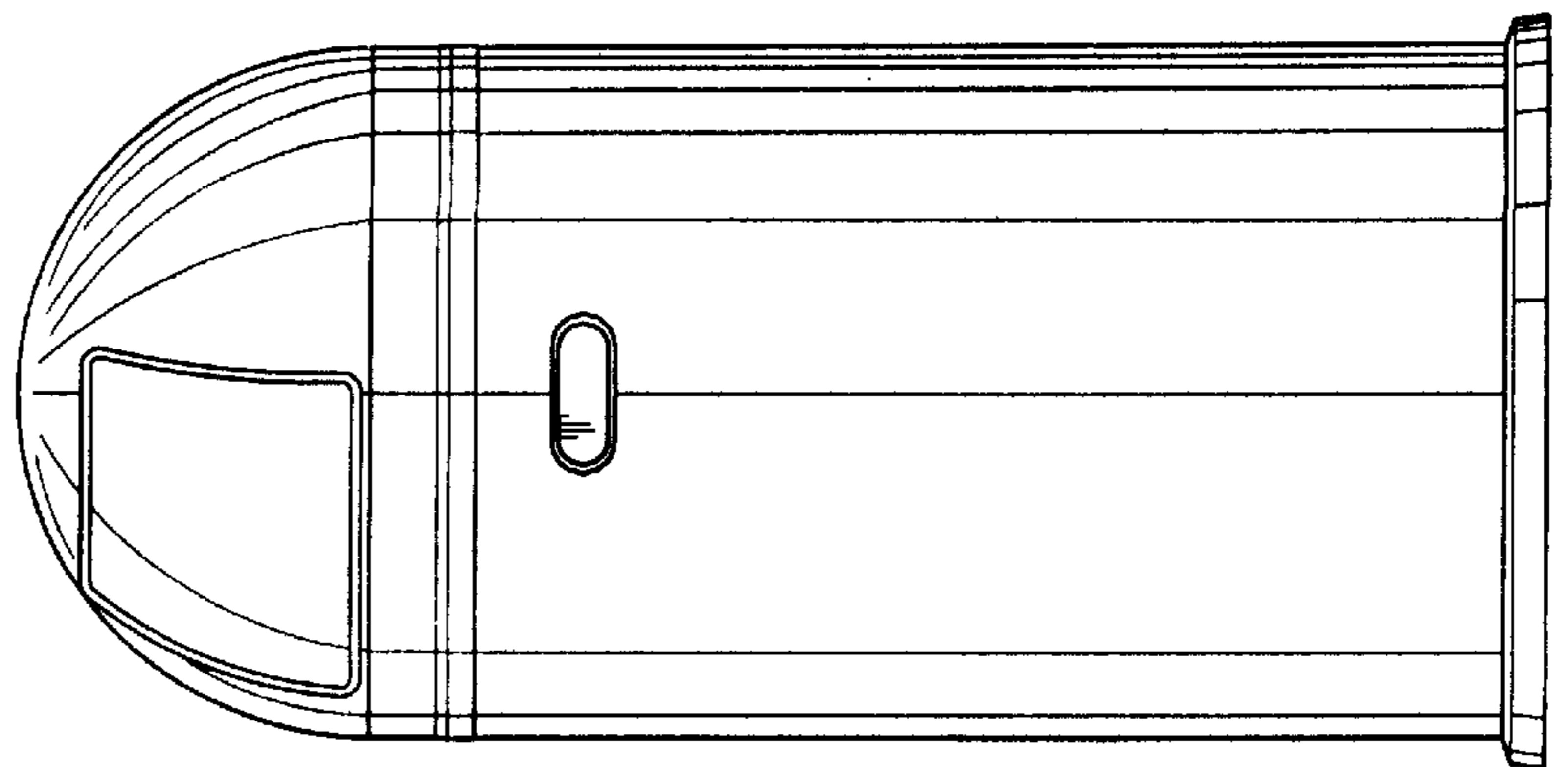


***Fig. 2***

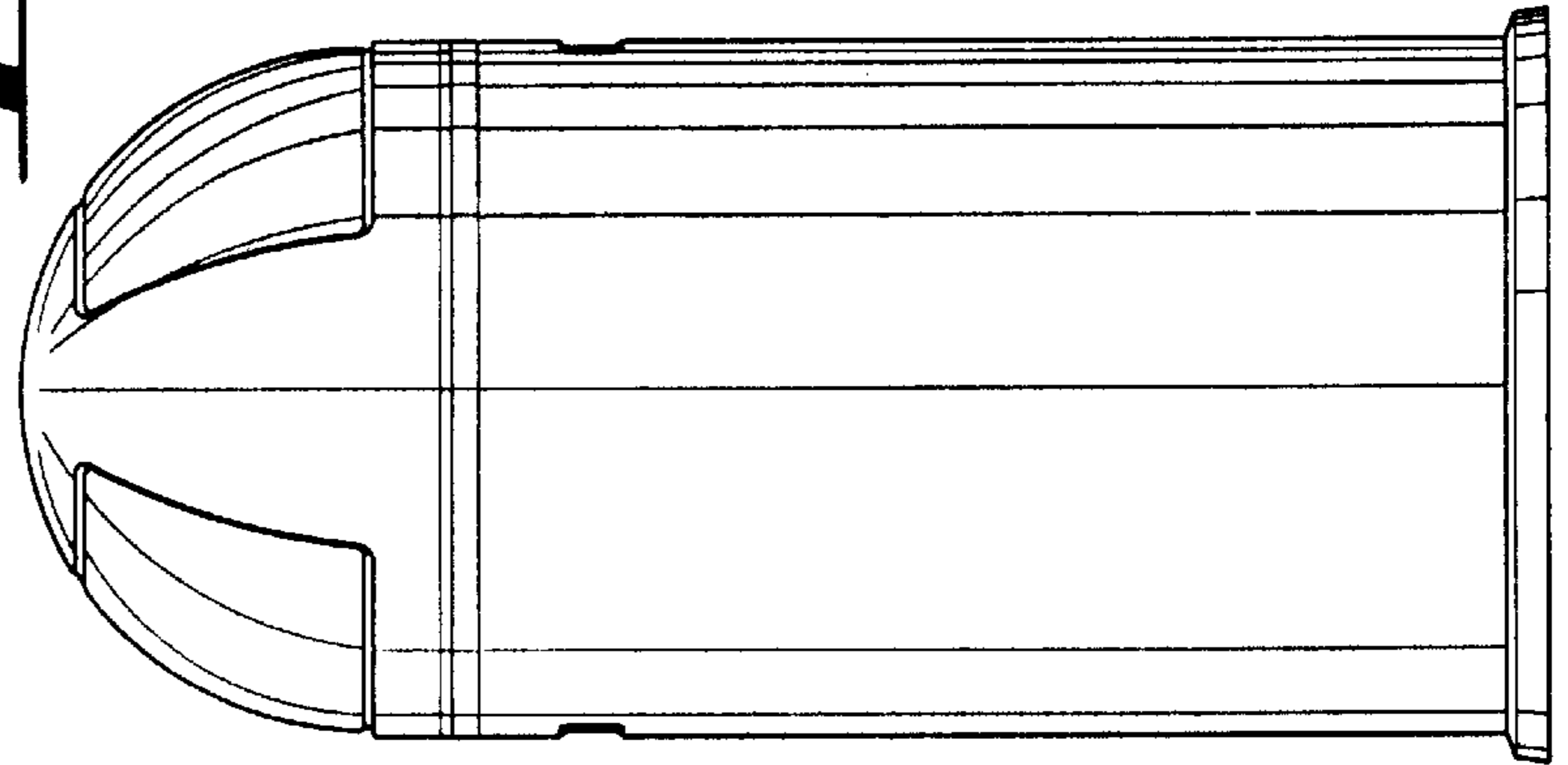




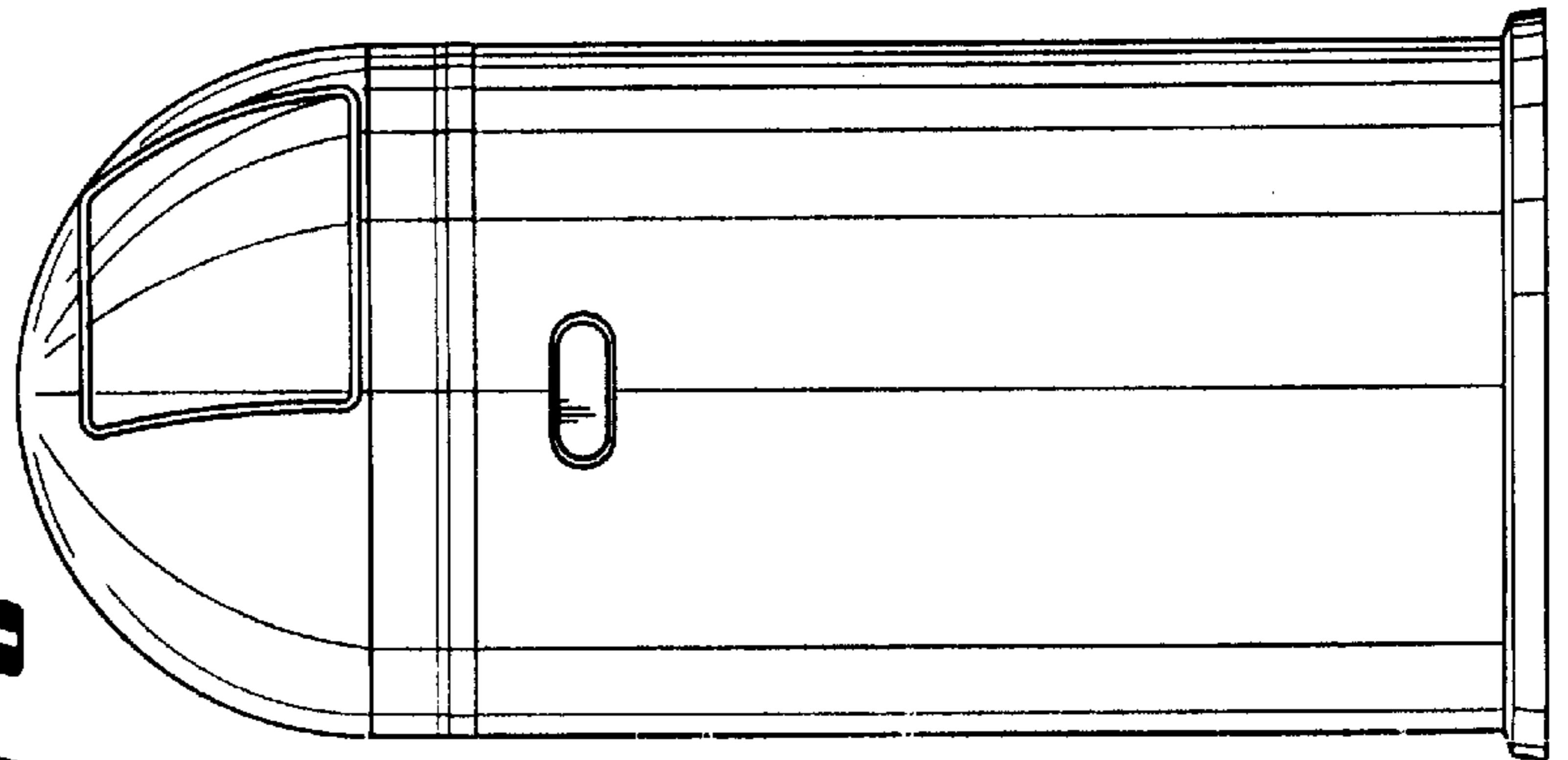
**Fig. 6**



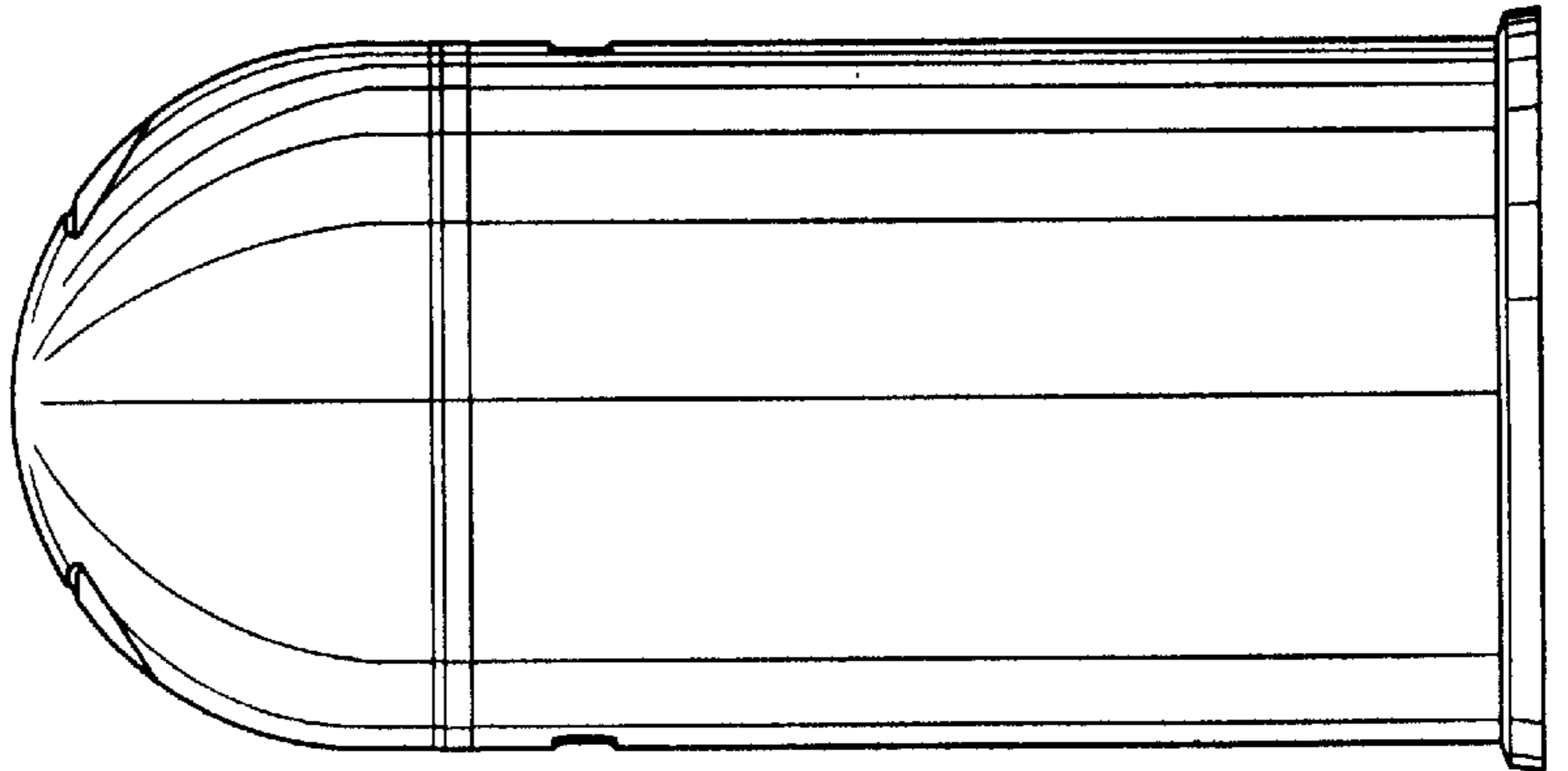
**Fig. 4**



**Fig. 2**



**Fig. 3**



**Fig. 5**