



US00D418644S

United States Patent [19]

Bowden, III et al.

[11] Patent Number: Des. 418,644

[45] Date of Patent: ** Jan. 4, 2000

[54] SLEEVE FOR HAND HELD SCRAPER

[75] Inventors: Francis L. Bowden, III, Wayne; Harry W. Sternberg, Huntingdon Valley, both of Pa.

[73] Assignee: Fun-Damental Too, Ltd., Huntingdon Valley, Pa.

[**] Term: 14 Years

[21] Appl. No.: 29/096,743

[22] Filed: Nov. 19, 1998

[51] LOC (7) Cl. 07-05

[52] U.S. Cl. D32/40; D2/615; D29/118

[58] Field of Search D2/610, 614, 615, D2/622; D29/113, 118, 122; D32/35, 40; 15/105, 227, 236.02, 248.1; 2/16-17, 158, 160; D7/402; D14/114; D21/433

[56] References Cited

U.S. PATENT DOCUMENTS

D. 387,748	12/1997	Martella	D14/114
D. 395,982	7/1998	Dunn et al.	D7/402
D. 404,027	1/1999	Bush	D14/114
1,330,406	2/1920	Stricklin	2/17
4,538,320	9/1985	Batt	15/236.02

4,683,592	8/1987	Strongwater	2/17
4,748,711	6/1988	Markus	15/227
5,729,857	3/1998	Martin et al.	15/227 X

Primary Examiner—Alan P. Douglas
Assistant Examiner—Lavone D. Tabor
Attorney, Agent, or Firm—Eichen & Associates; Jeffrey L. Eichen, Esq.

[57] CLAIM

We claim the ornamental design for the sleeve for hand held scraper, as shown and described.

DESCRIPTION

FIG. 1 is a front side perspective view of a sleeve for hand held scraper showing our new design;
FIG. 2 is a right side elevational view thereof, the opposite side being a mirror image;
FIG. 3 is a bottom elevational view thereof;
FIG. 4 is a front elevational view thereof; and,
FIG. 5 is a rear elevational view thereof;
The broken lines showing in FIGS. 1 and 3 are for illustrative purposes only and form no part of the claimed design. The broken lines showing the FIG. 3 indicate surface indicia and are intended by the inventors to be merely exemplary and nonlimitative.

1 Claim, 4 Drawing Sheets

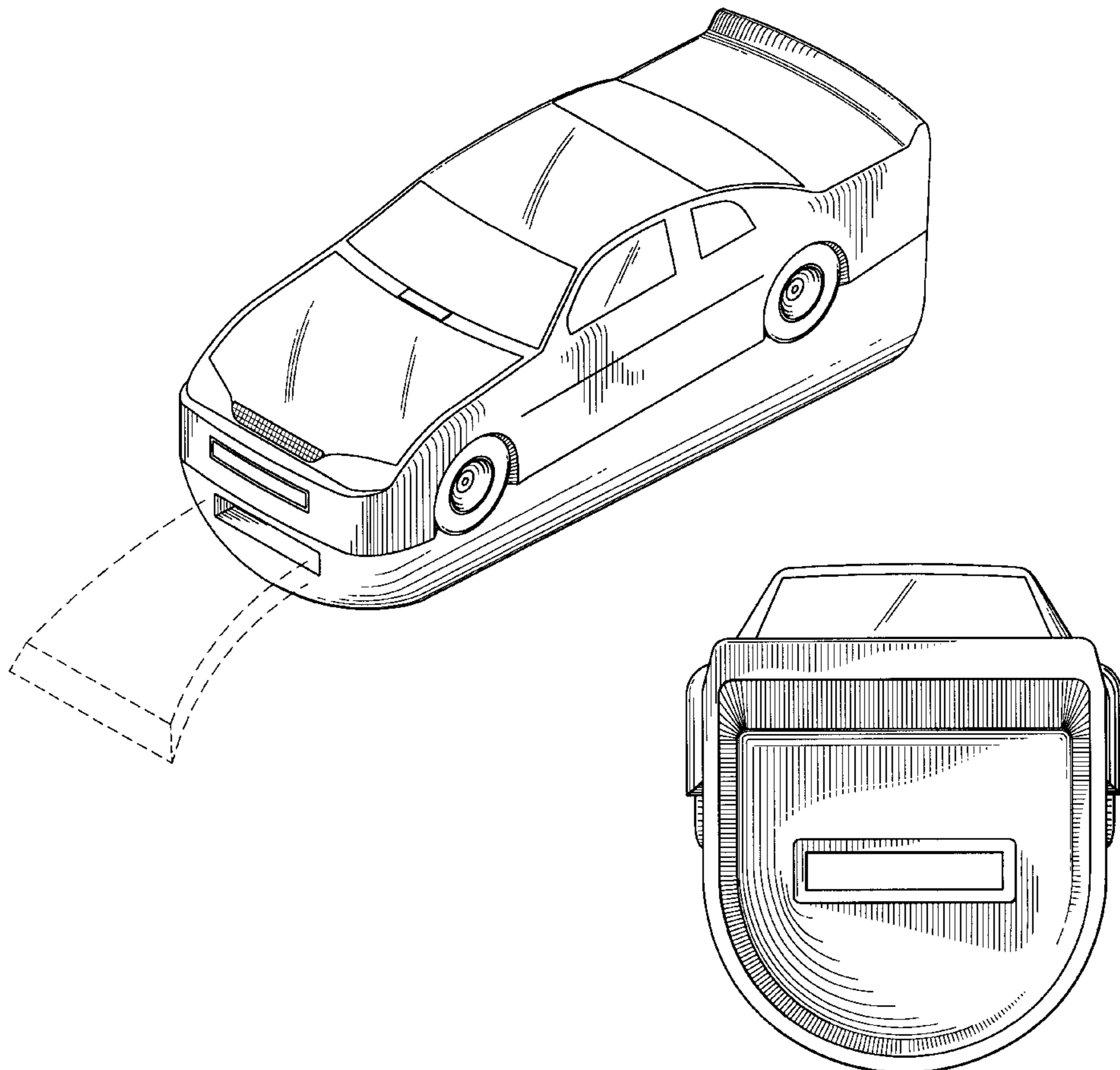


FIG. 1

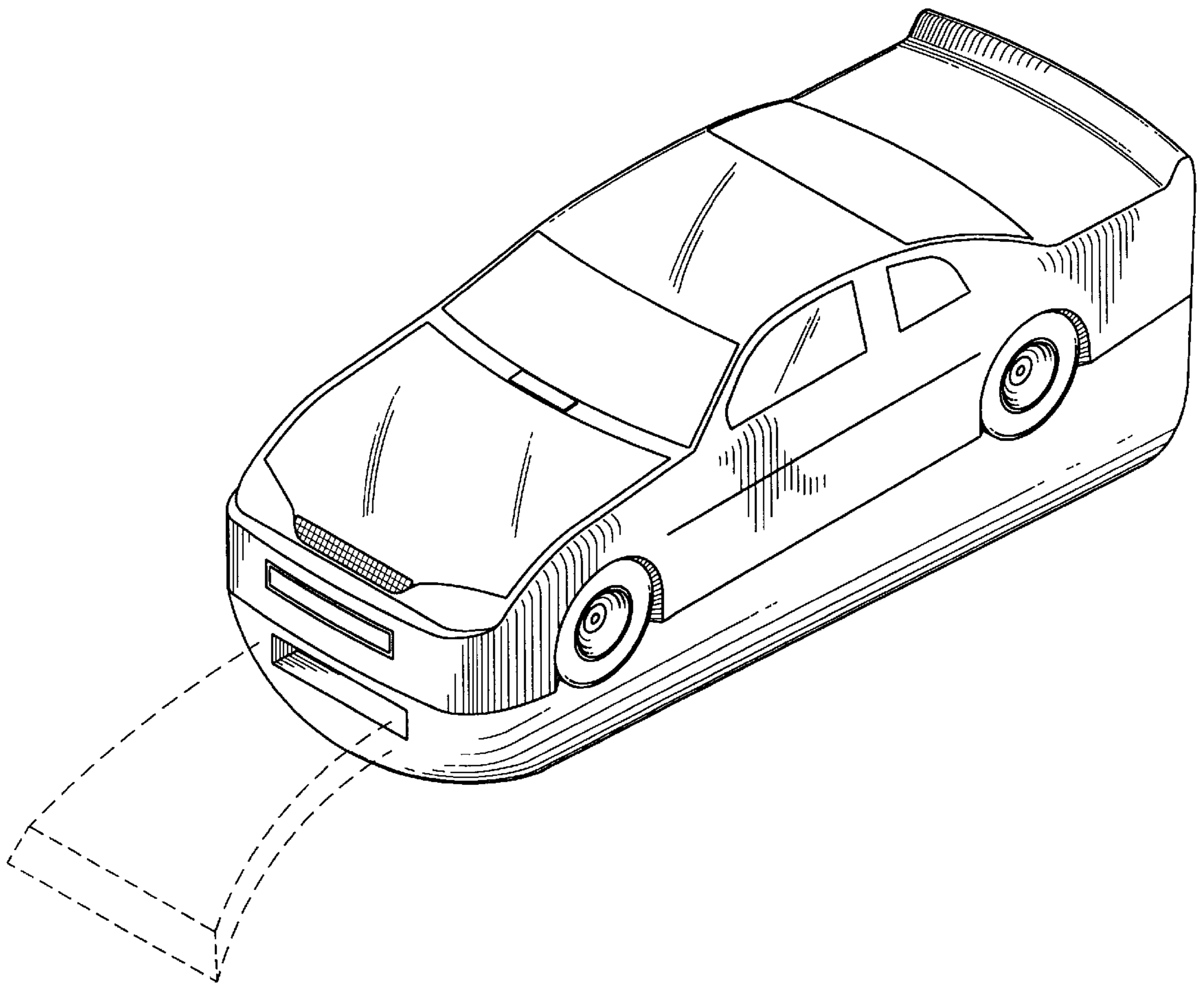


FIG. 2

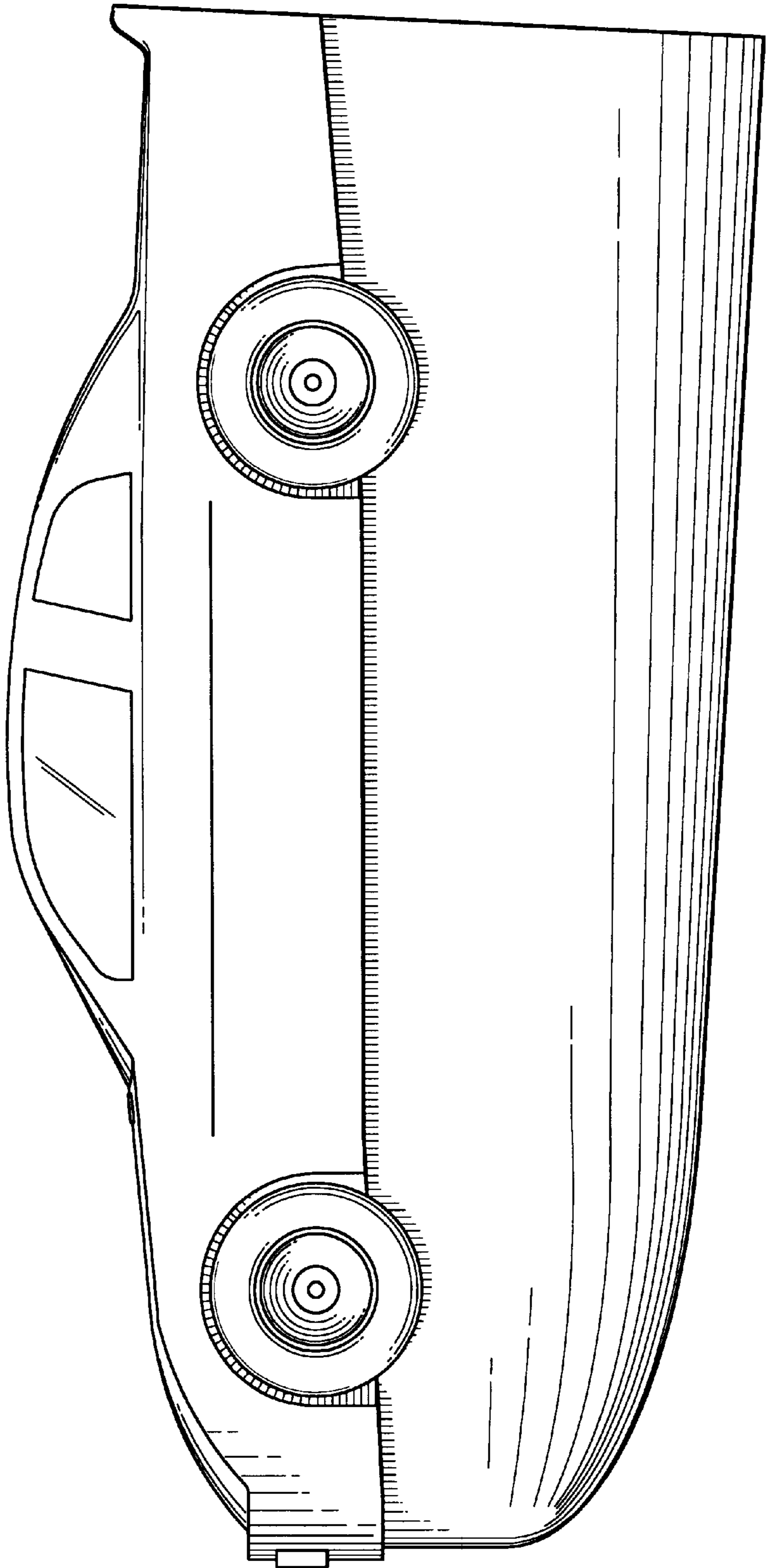


FIG. 3

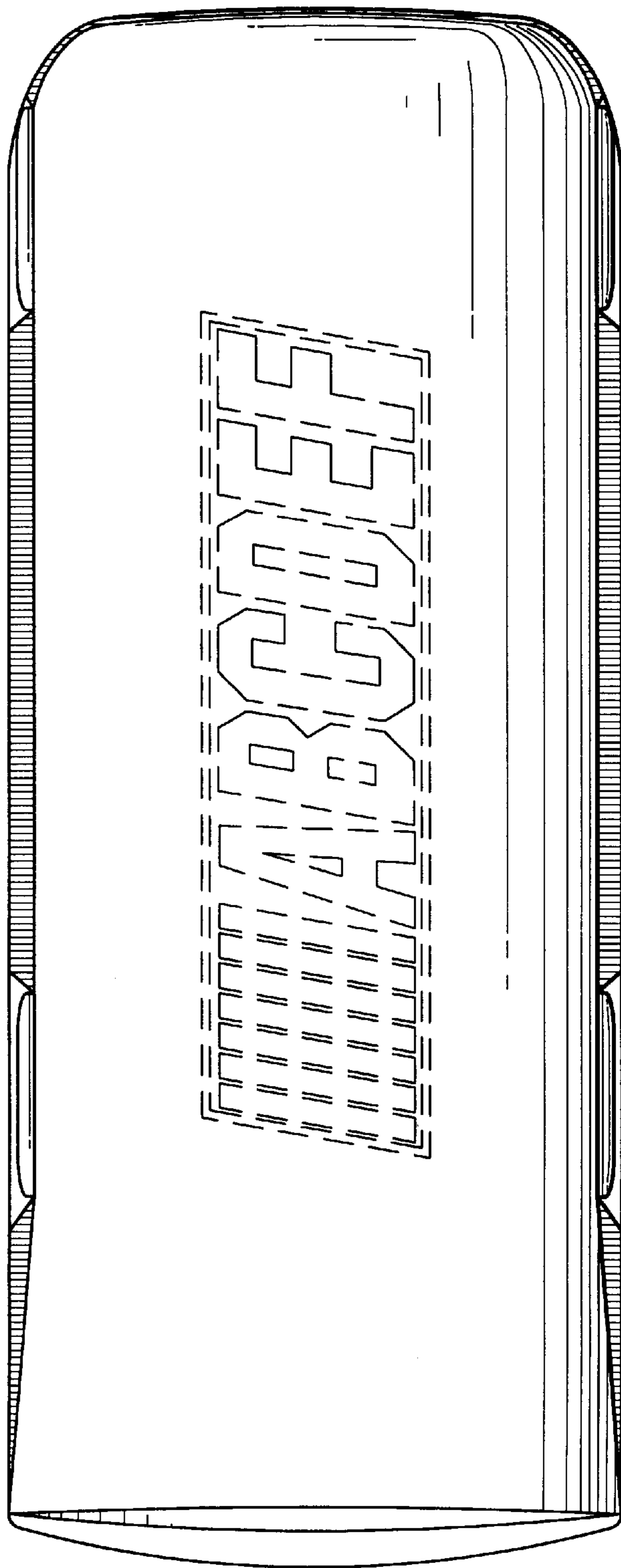


FIG. 4

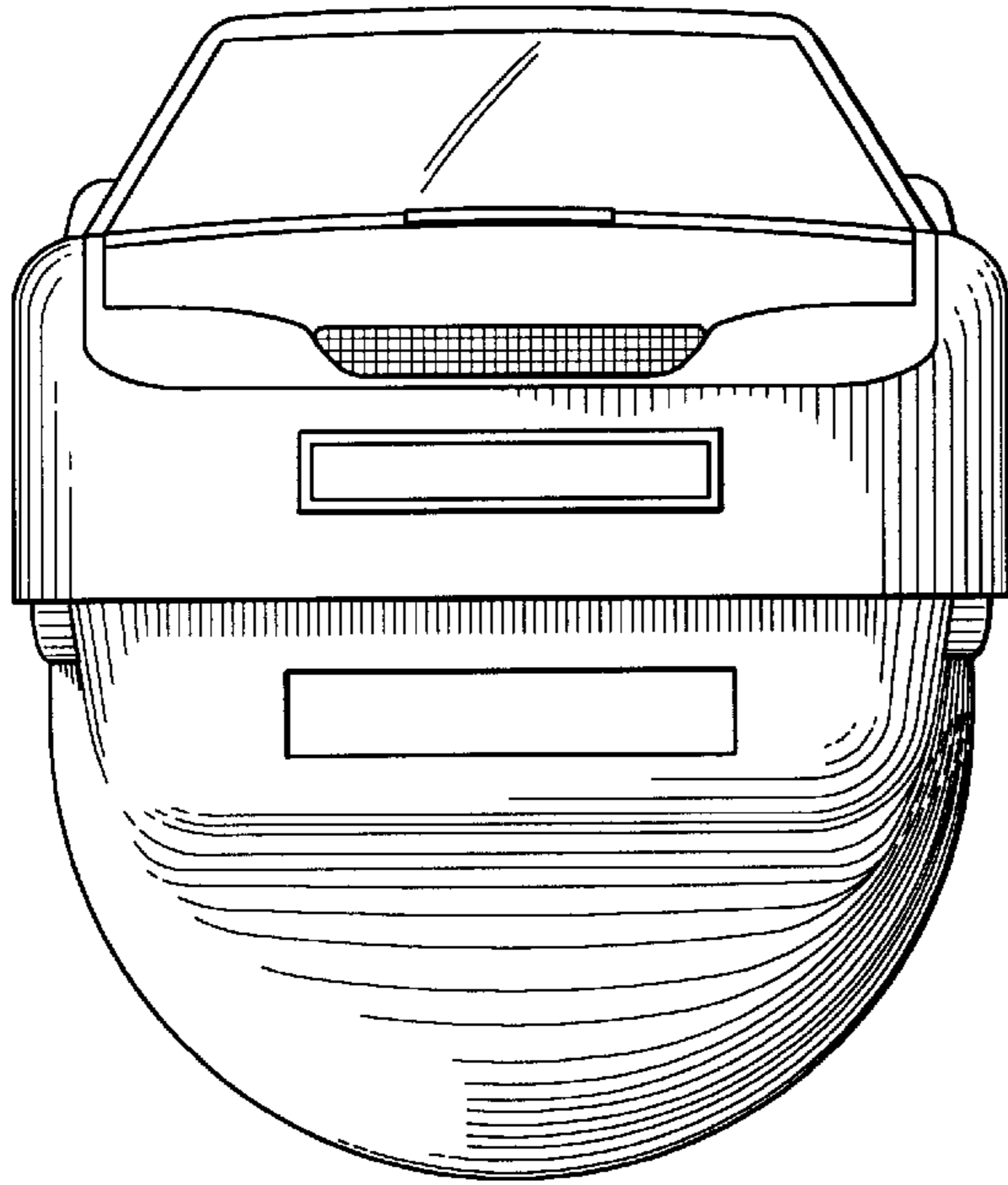


FIG. 5

