



US00D418642S

United States Patent [19]
Rees

[11] **Patent Number: Des. 418,642**
[45] **Date of Patent: ** Jan. 4, 2000**

[54] **ELECTRICALLY POWERED WAXER/
POLISHER**

[75] Inventor: **Jeffrey Paul Rees**, Lake In The Hills,
Ill.

[73] Assignee: **Wen Products, Inc.**, Bensenville, Ill.

[**] Term: **14 Years**

[21] Appl. No.: **29/099,523**

[22] Filed: **Jan. 22, 1999**

[51] **LOC (7) Cl.** **15-05**

[52] **U.S. Cl.** **D32/19**

[58] **Field of Search** D32/15, 19, 20,
D32/25, 31, 33, 34; D8/62, 61, 67; D4/102;
15/28, 29, 97.1, 22.1

[56] **References Cited**

U.S. PATENT DOCUMENTS

- D. 315,281 3/1991 Boston et al. D8/67
- D. 336,229 6/1993 Bunyea D8/62

D. 391,698 3/1998 McCracken et al. D32/15

Primary Examiner—Louis S. Zarfes
Assistant Examiner—Robert A. Delehanty
Attorney, Agent, or Firm—Richard A. Zachar

[57] **CLAIM**

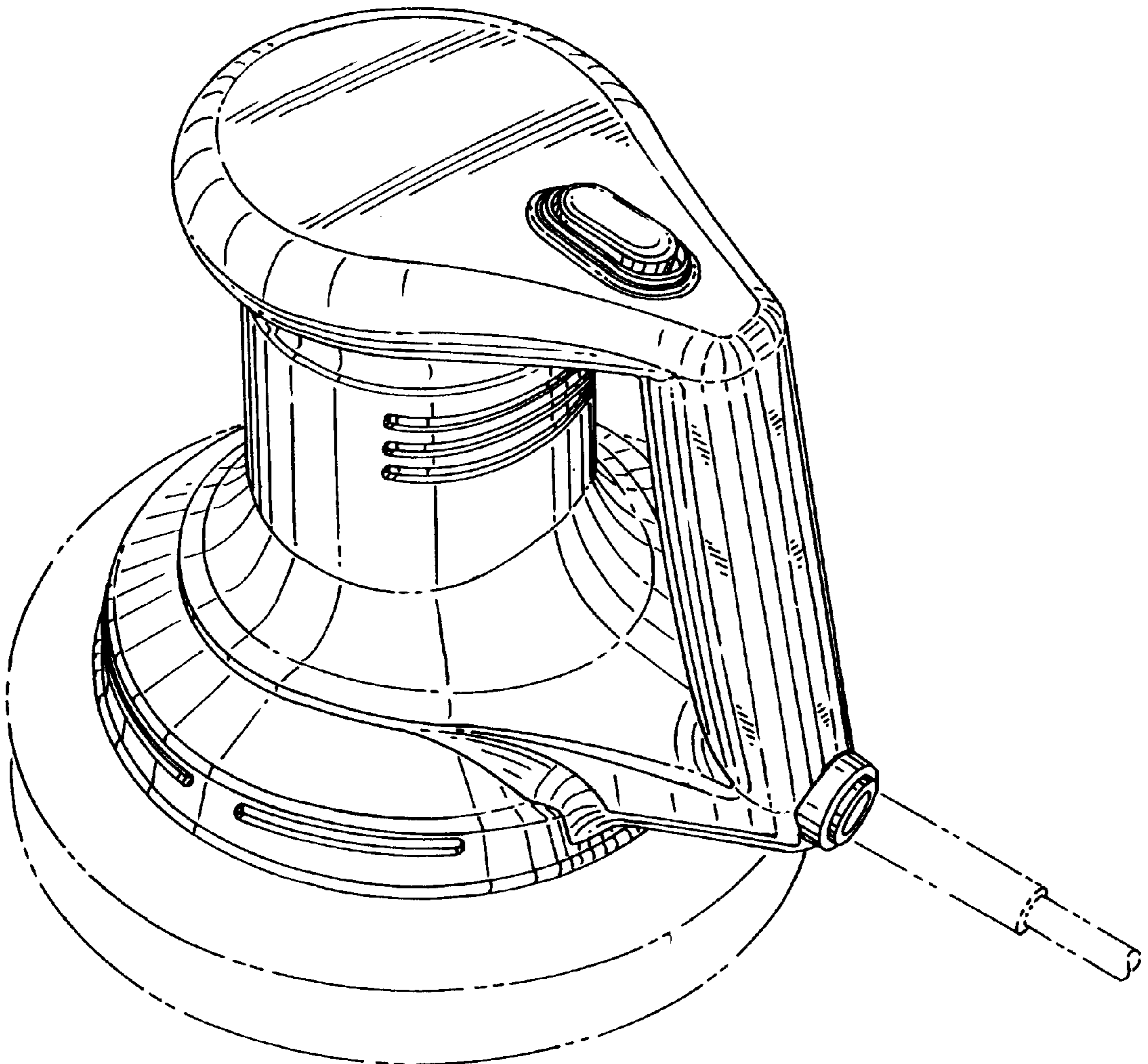
The ornamental design for an “electrically powered waxer/
polisher”, as shown and described.

DESCRIPTION

FIG. 1 is a perspective view of the electrically powered
waxer/polisher showing my new design;
FIG. 2 is a right side elevational view thereof;
FIG. 3 is a left side elevational view thereof;
FIG. 4 is a front elevational view thereof;
FIG. 5 is a rear elevational view thereof; and,
FIG. 6 is a top plan view thereof.

Broken lines in the figures are for illustrative purposes only
and represent an environment in connection with which the
invention is used, and the broken lines form no part of the
claimed design.

1 Claim, 3 Drawing Sheets



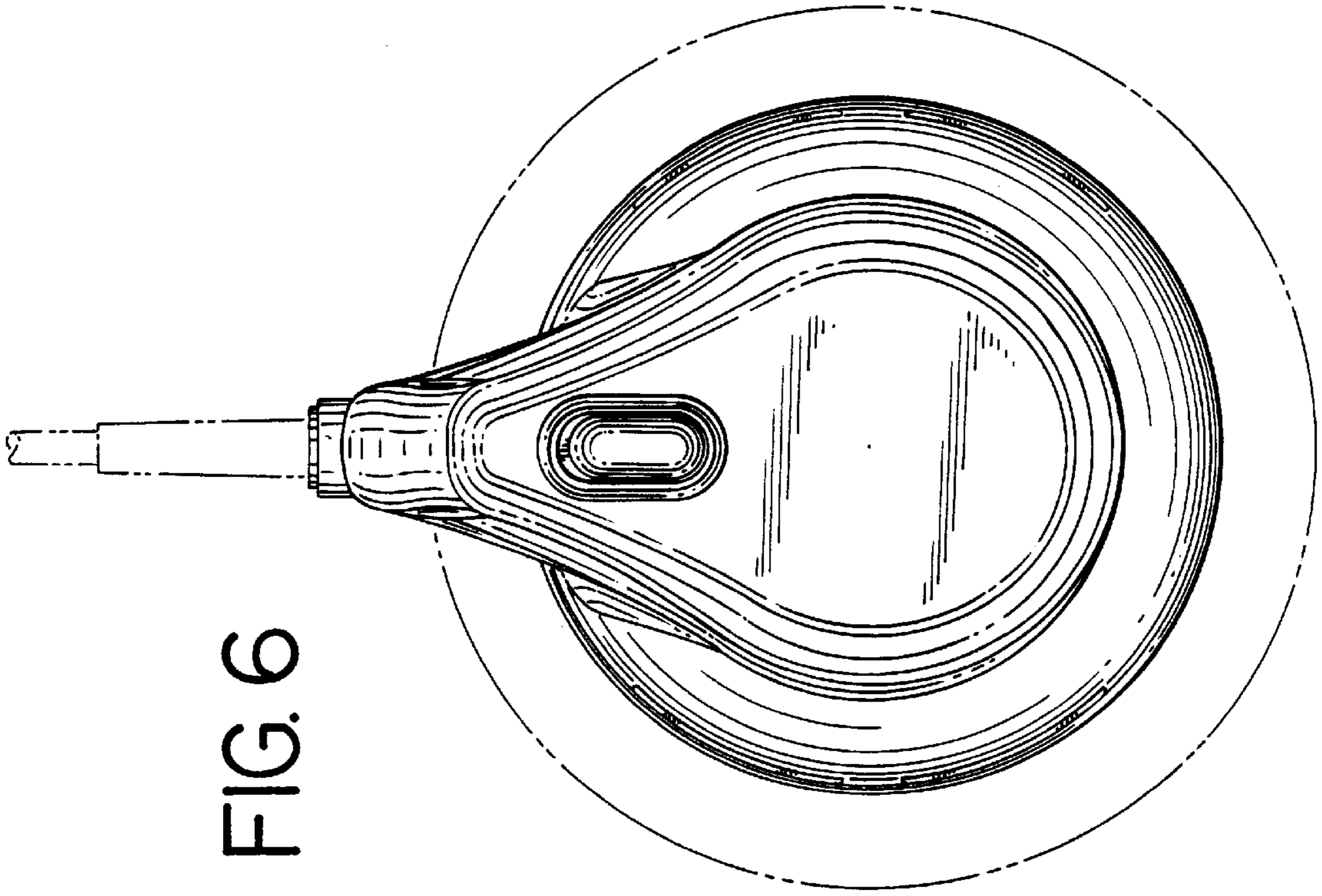


FIG. 6

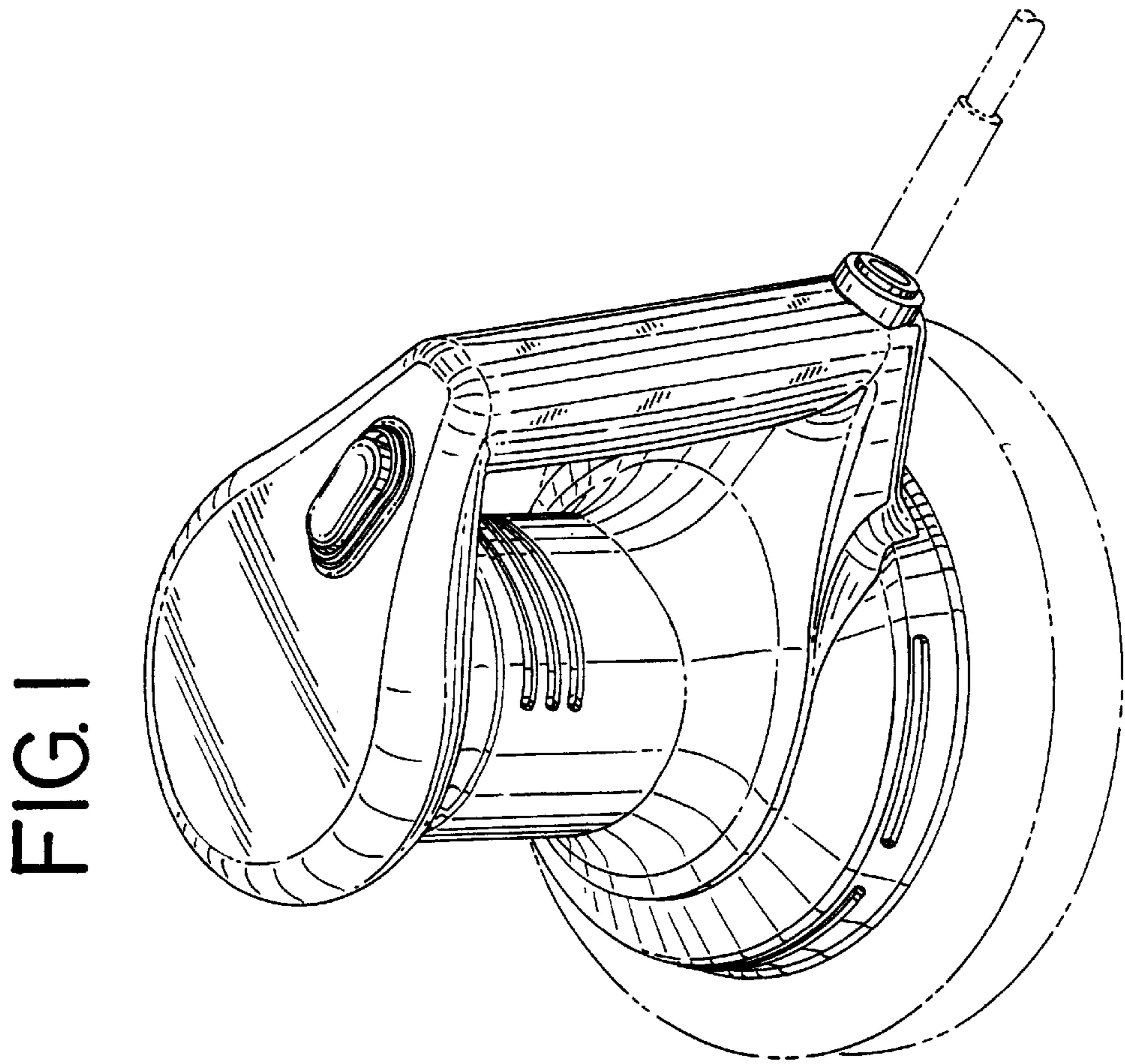


FIG. 1

FIG. 2

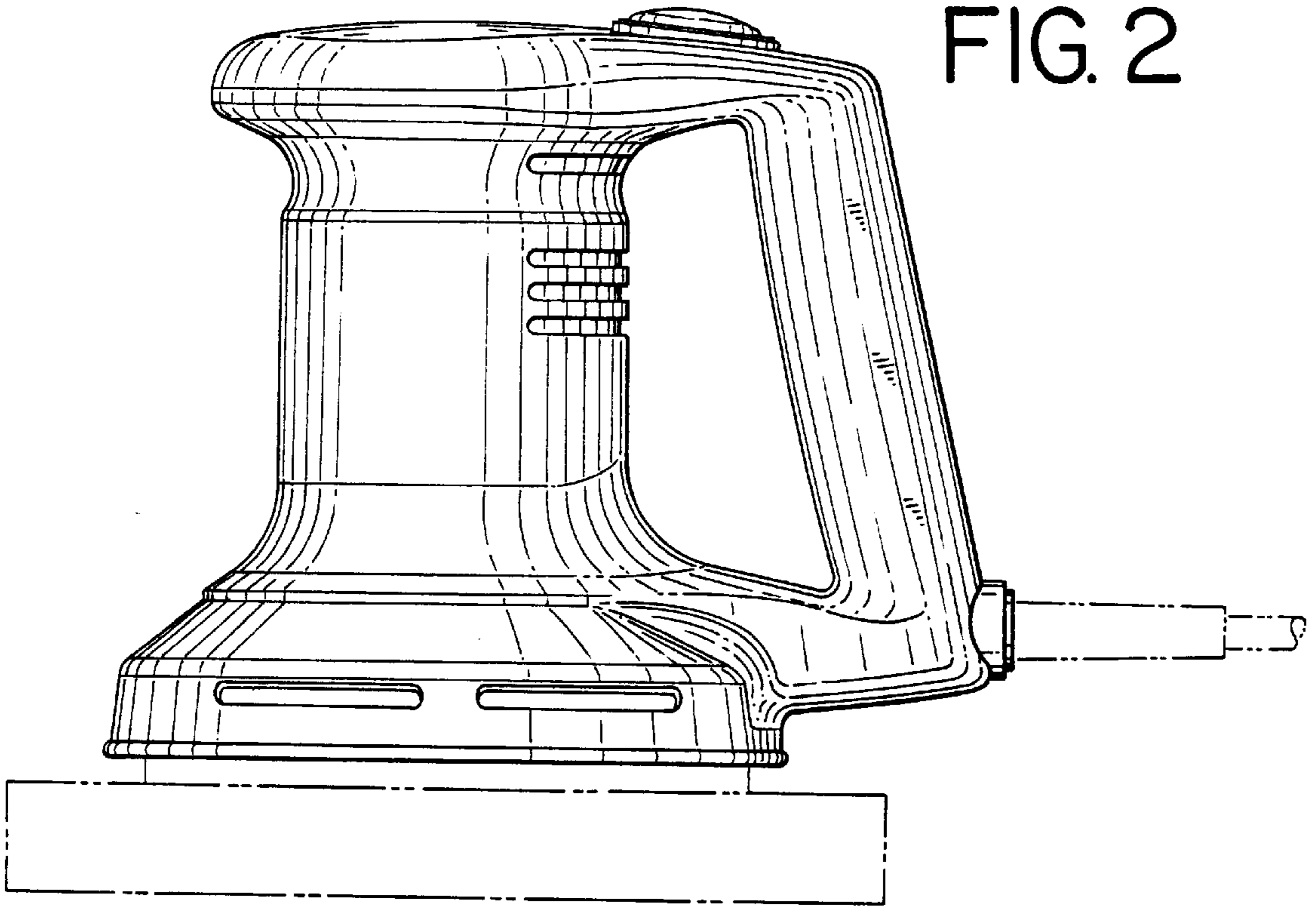


FIG. 3

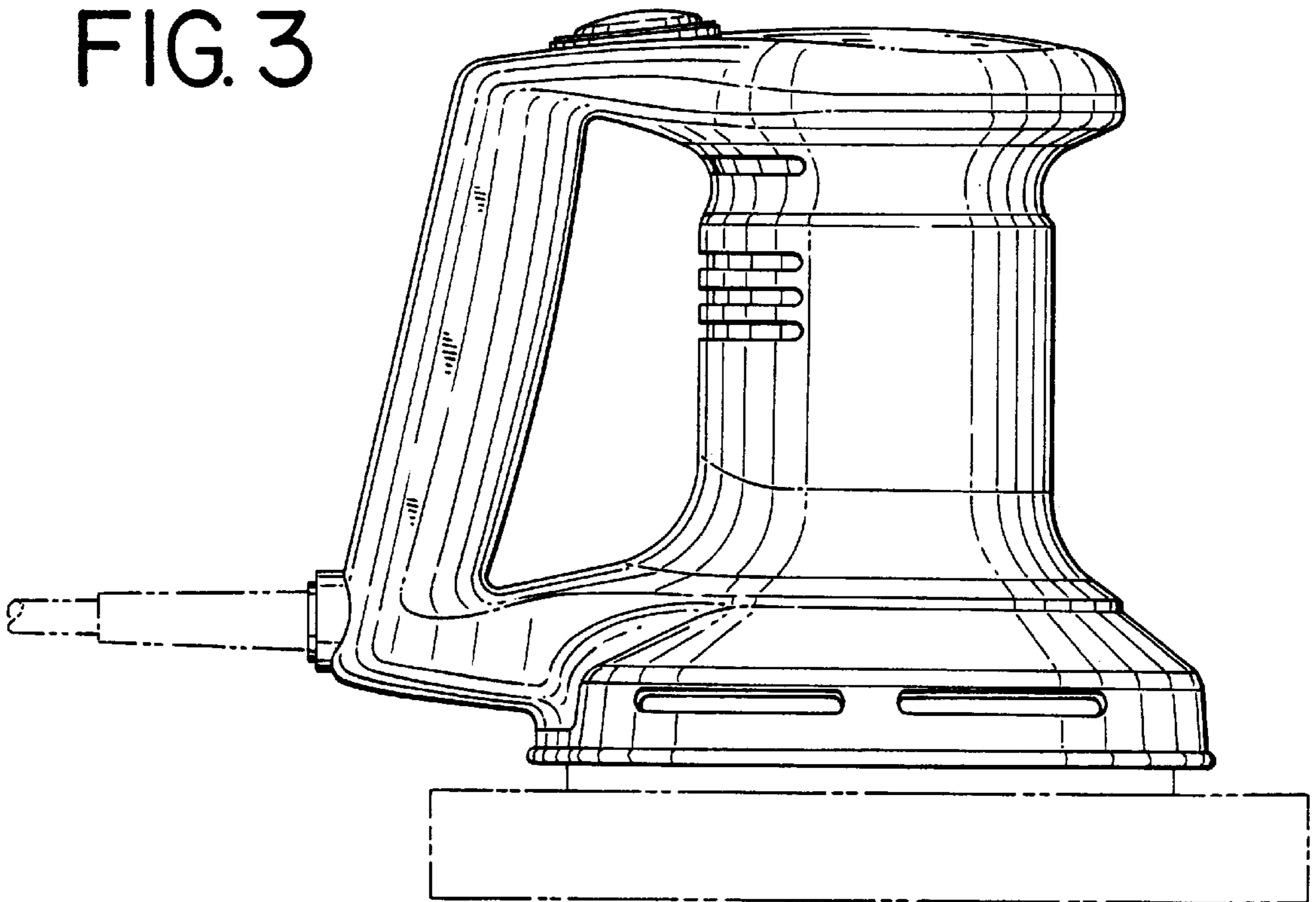


FIG. 4

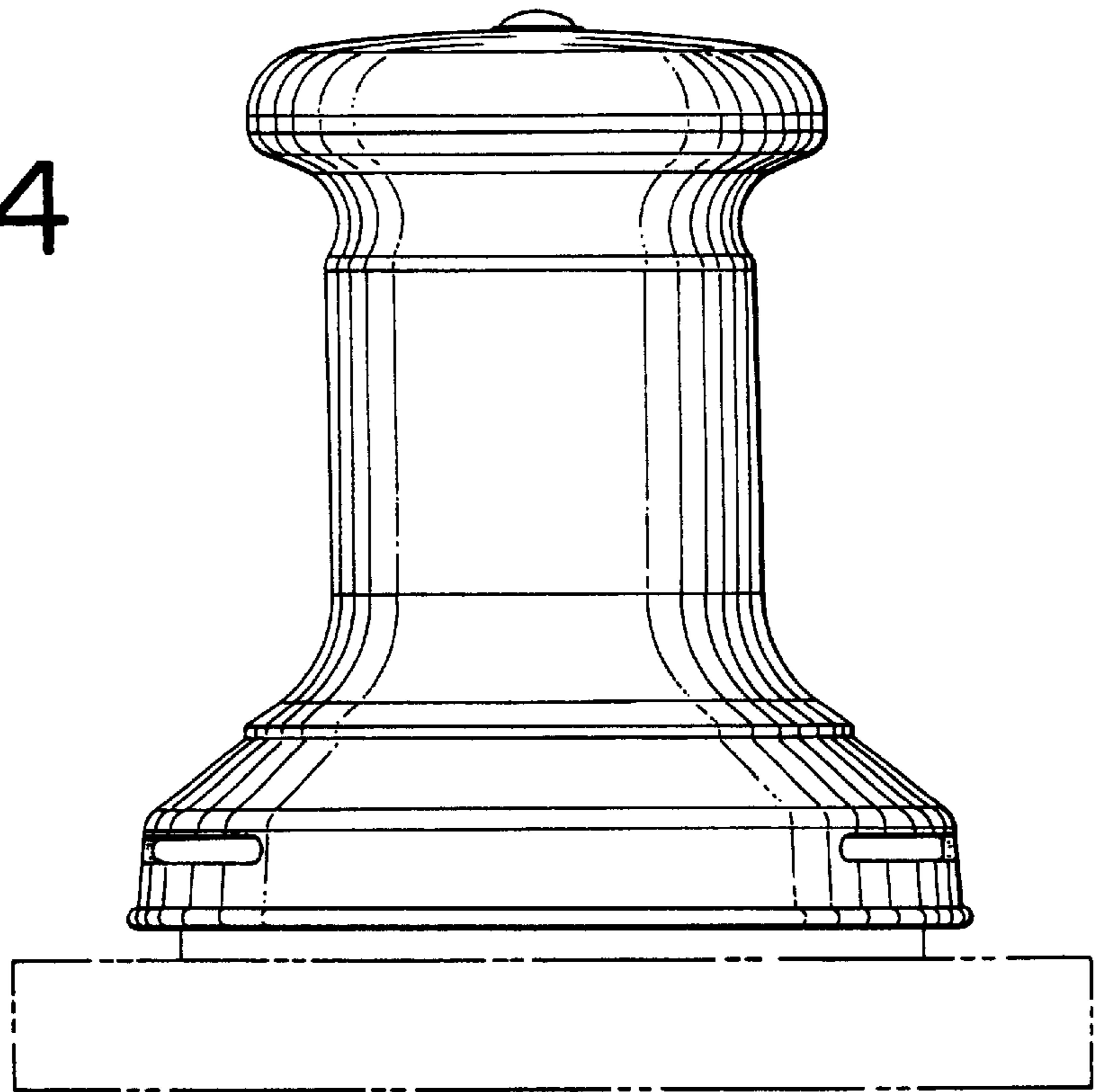


FIG. 5

