



US00D418641S

United States Patent [19]

Yuen

[11] Patent Number: **Des. 418,641**

[45] Date of Patent: **** Jan. 4, 2000**

[54] **VACUUM CLEANER**

[75] Inventor: **John Se-Kit Yuen**, Kowloon, The Hong Kong Special Administrative Region of the People's Republic of China

[73] Assignee: **John Manufacturing Limited**, Kowloon, The Hong Kong Special Administrative Region of the People's Republic of China

[**] Term: **14 Years**

[21] Appl. No.: **29/090,250**

[22] Filed: **Jul. 2, 1998**

[30] Foreign Application Priority Data

Jan. 6, 1998 [GB] United Kingdom 2071492

[51] **LOC (7) Cl.** **15-05**

[52] **U.S. Cl.** **D32/17**

[58] **Field of Search** D32/17, 18, 21-22; D4/100; 15/350, 344, 329, 320-321, 355

[56] References Cited

U.S. PATENT DOCUMENTS

D. 250,115 10/1978 Kawamura D32/18

D. 254,833	4/1980	Cooper	D32/18
D. 259,076	5/1981	Doyel	D4/14
D. 277,516	2/1985	Hayden et al.	D32/18
D. 316,316	4/1991	Yuen	D32/18
D. 360,502	7/1995	Hollinger	D32/18
D. 387,515	12/1997	Nottingham et al.	D32/17
2,668,315	2/1954	Crosby .	

Primary Examiner—Ruth McInroy
Attorney, Agent, or Firm—Fay, Sharpe, Beall, Fagan, Minnich & McKee

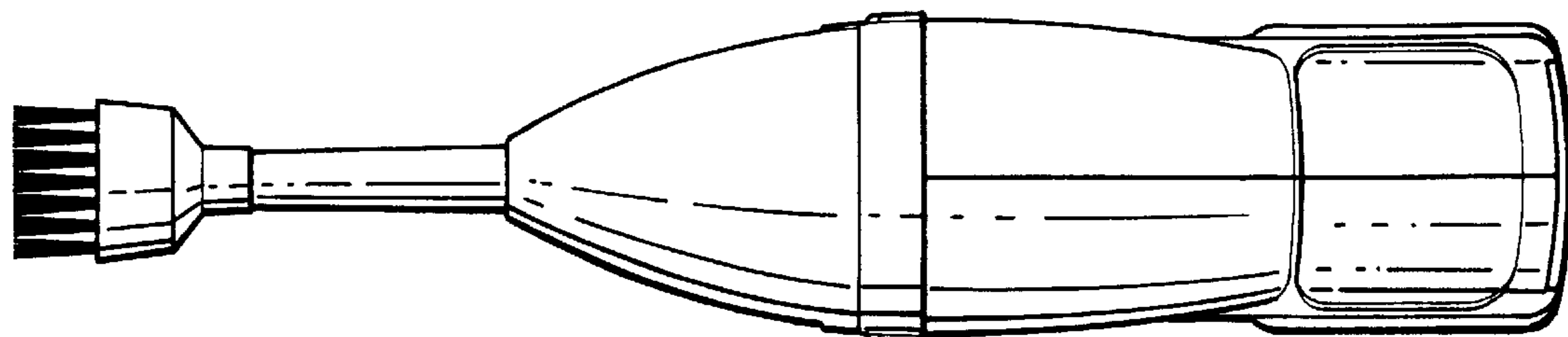
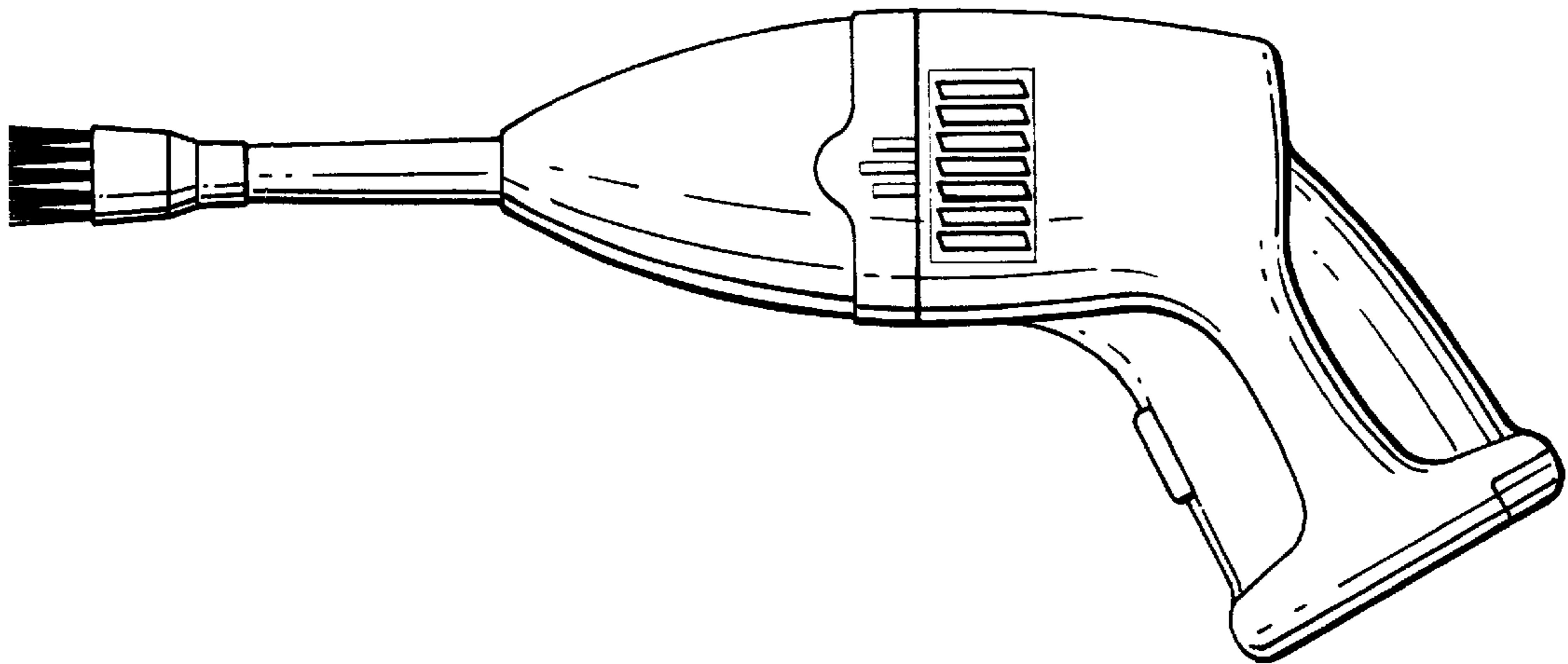
[57] CLAIM

The ornamental design for a vacuum cleaner, as shown and described.

DESCRIPTION

FIG. 1 is a front elevational view of a vacuum cleaner showing my new design;
FIG. 2 is a top plan view thereof;
FIG. 3 is a rear elevational view thereof;
FIG. 4 is a bottom plan view thereof;
FIG. 5 is an left side elevational view thereof; and,
FIG. 6 is a right side elevational view thereof.

1 Claim, 2 Drawing Sheets



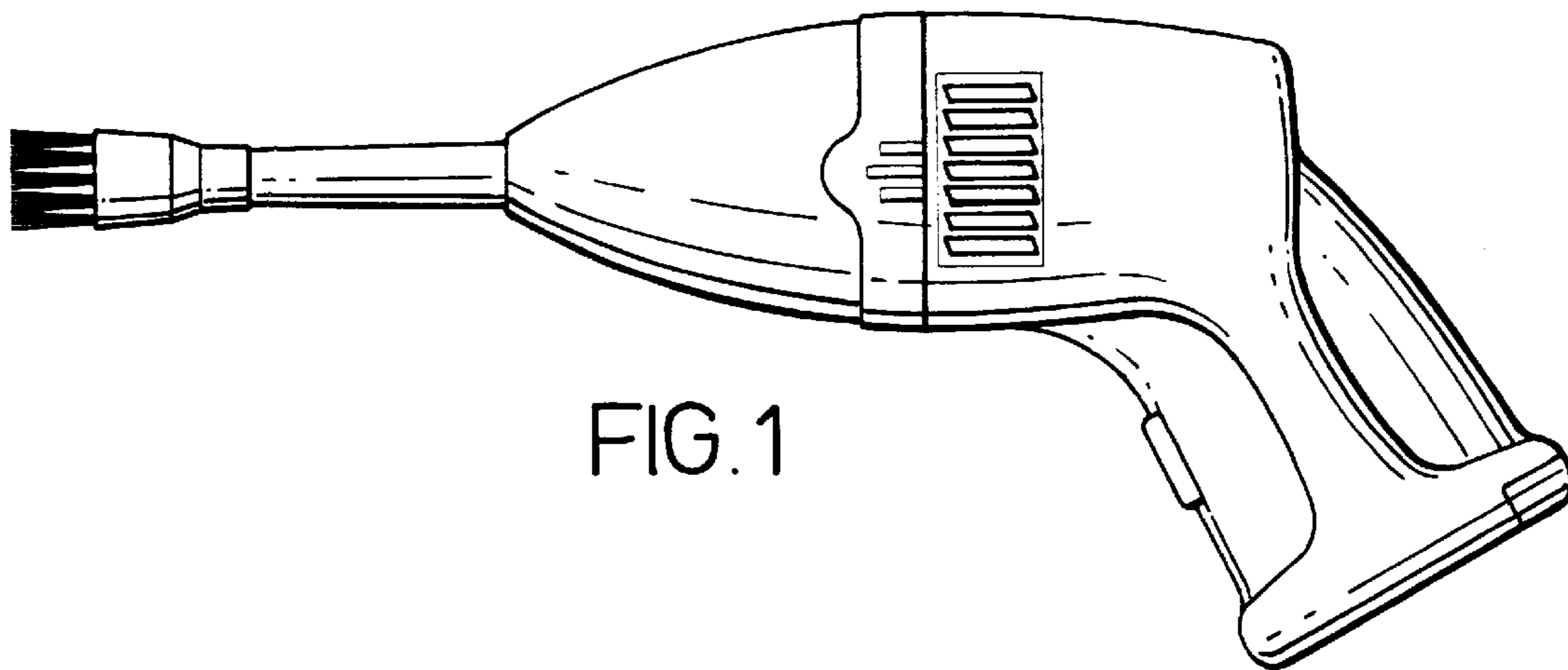


FIG. 1

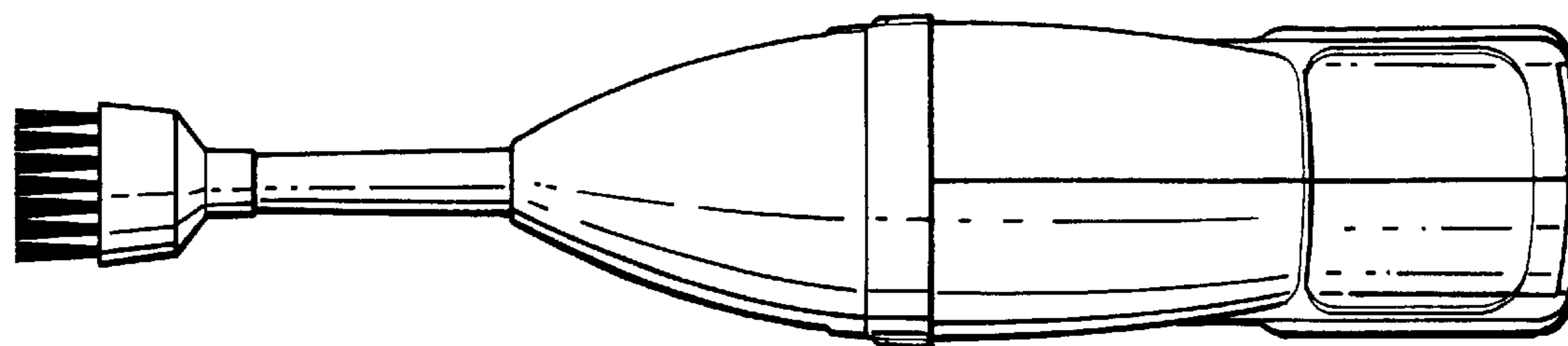


FIG. 2

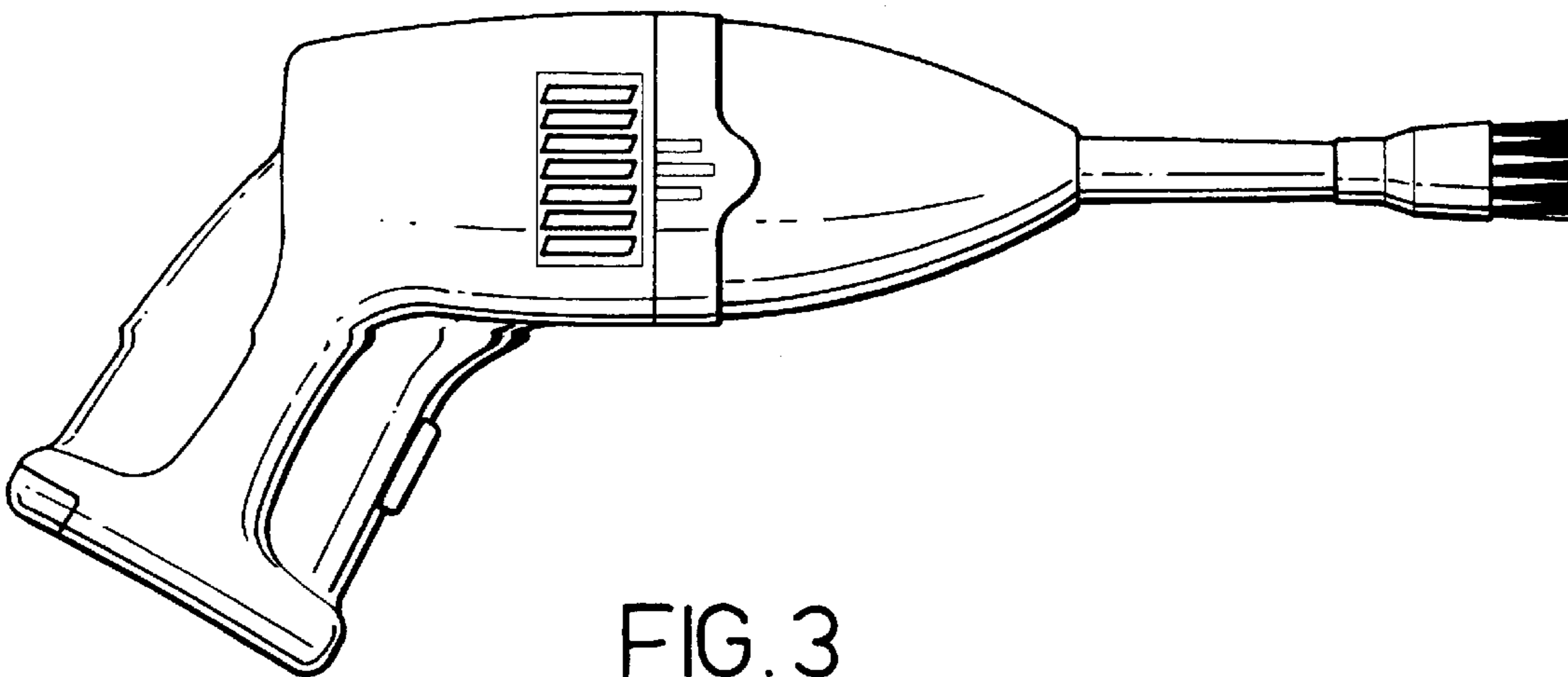


FIG. 3

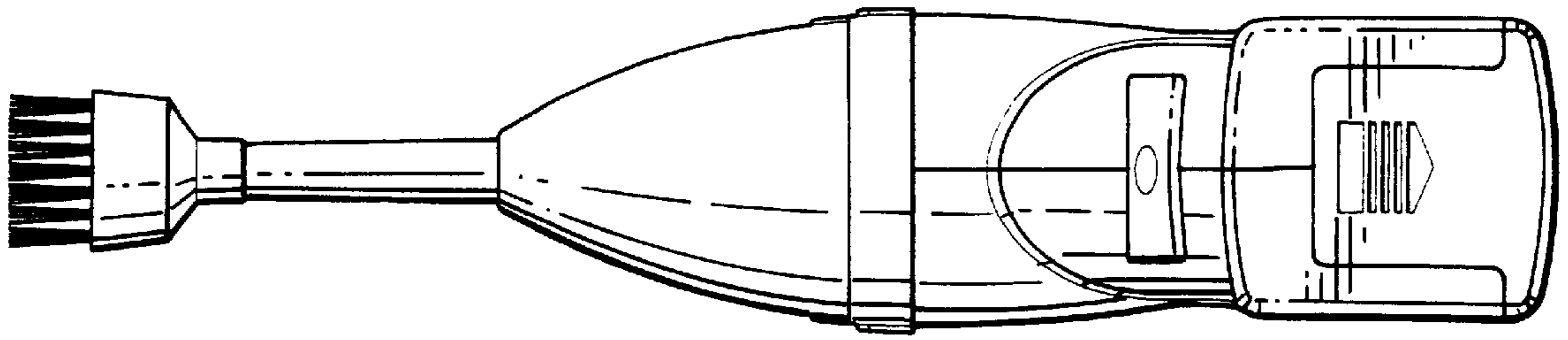


FIG. 4

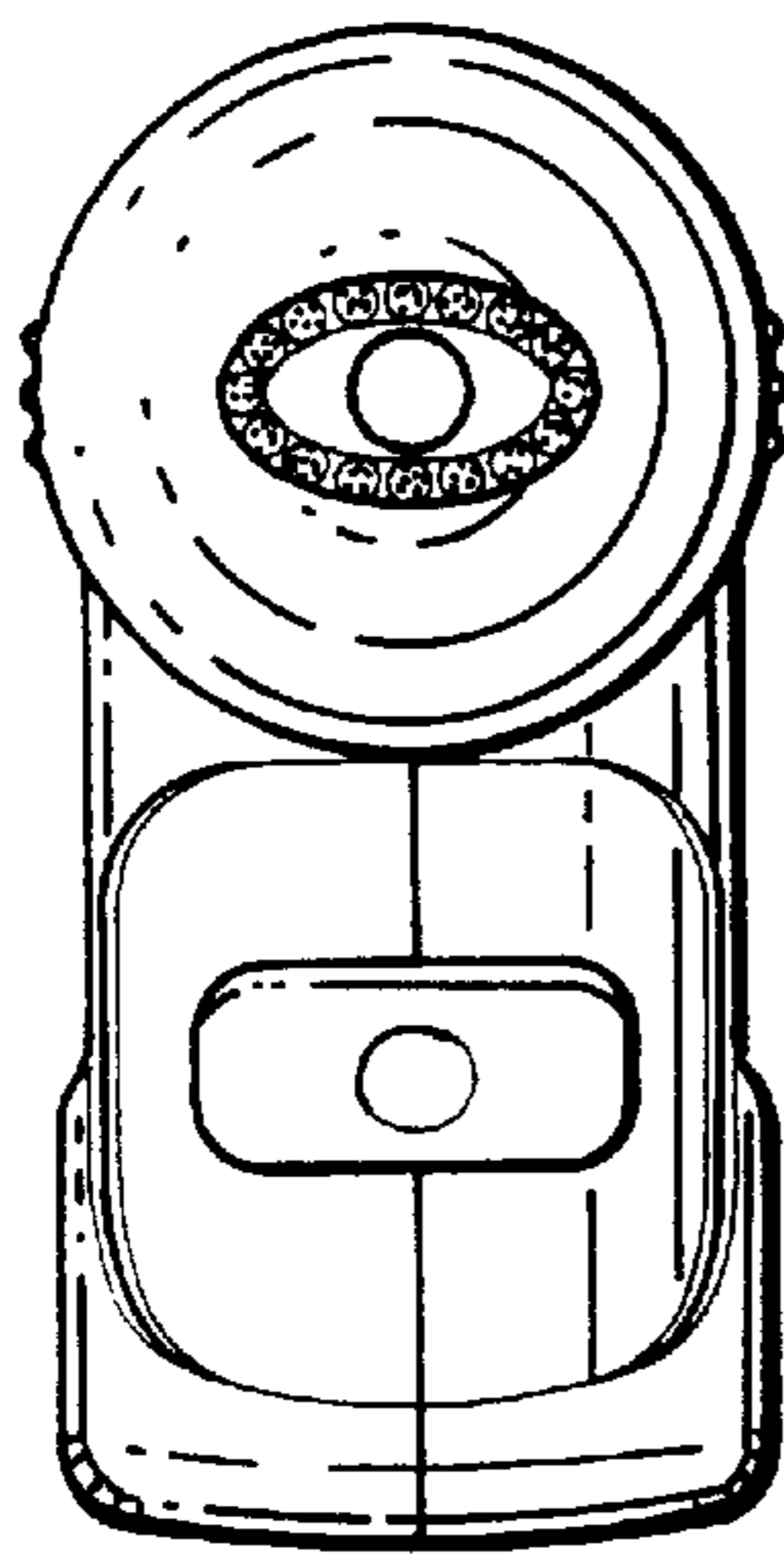


FIG. 5

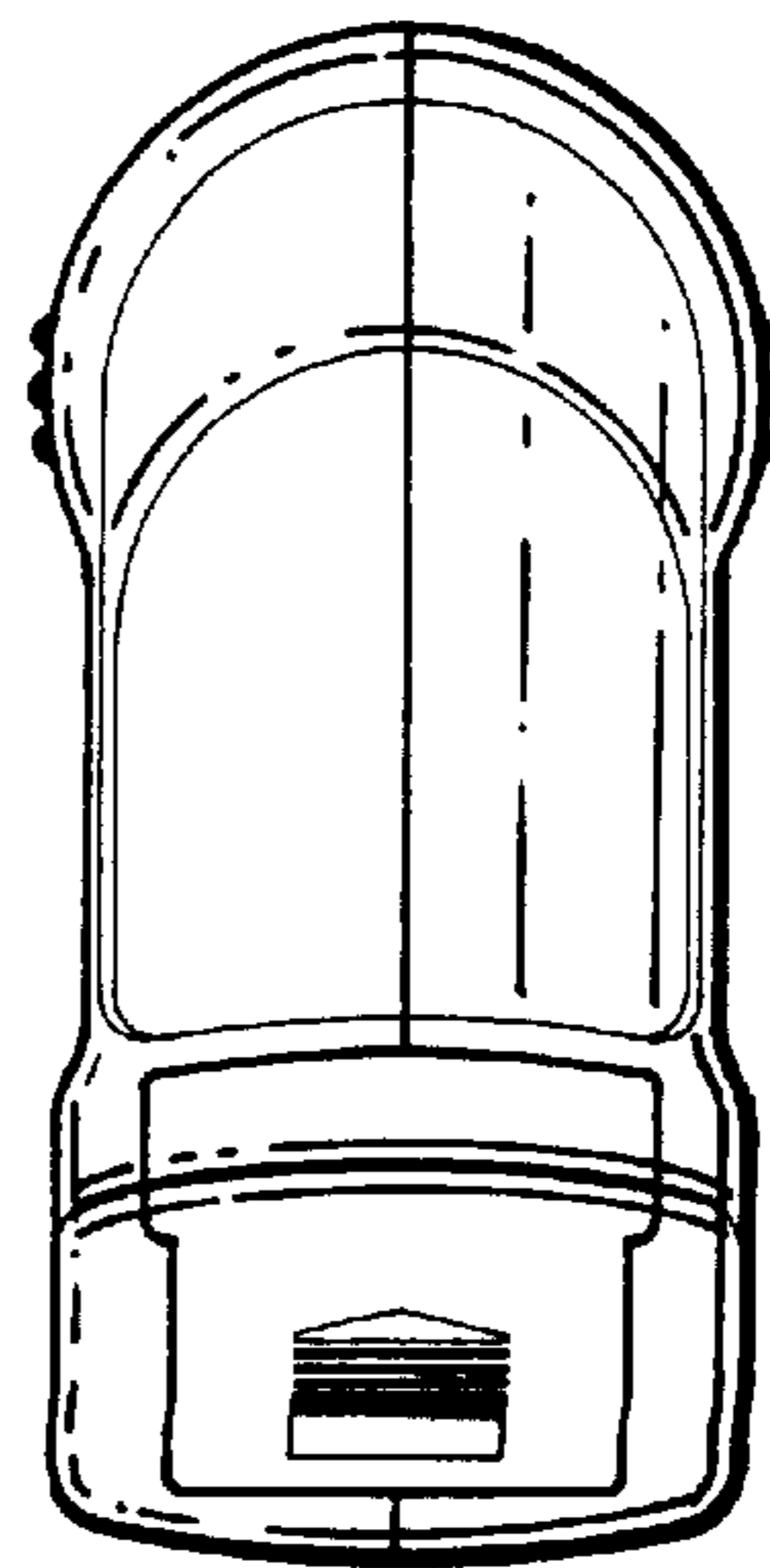


FIG. 6