



US00D418640S

# United States Patent [19]

Veloskey et al.

[11] Patent Number: **Des. 418,640**

[45] Date of Patent: **\*\* Jan. 4, 2000**

[54] **POOL CLEANER**

4,558,479 12/1985 Greskovics et al. .  
5,603,135 2/1997 Jones et al. .

[75] Inventors: **Thomas E. Veloskey**, San Marcos;  
**Jeffrey A. Wichmann**, Cardiff; **Charles S. Curbbun**, Leucadia; **Kevin D. Simmons**, San Diego, all of Calif.

*Primary Examiner*—Louis S. Zarfaz  
*Assistant Examiner*—Robert A. Delehanty  
*Attorney, Agent, or Firm*—Kelly Bauersfeld Lowry & Kelley, LLP

[73] Assignee: **Polaris Pool Systems, Inc.**, Vista, Calif.

[57] **CLAIM**

[\*\*] Term: **14 Years**

The ornamental design for a pool cleaner, as shown.

[21] Appl. No.: **29/095,398**

**DESCRIPTION**

[22] Filed: **Oct. 22, 1998**

[51] **LOC (7) Cl.** ..... **15-05**

[52] **U.S. Cl.** ..... **D32/1**

[58] **Field of Search** ..... D32/1, 15, 21,  
D32/25, 28; 15/1, 7; 55/373; 180/116, 119,  
120, 125, 130; 210/169, 416.2, 460

FIG. 1 is a perspective view showing the front, top and left sides of a pool cleaner embodying our new design;

FIG. 2 is a perspective view showing the rear, top and right sides thereof;

FIG. 3 is a top plan view thereof;

FIG. 4 is an enlarged bottom plan view thereof;

FIG. 5 is an enlarged left side elevation view thereof;

FIG. 6 is an enlarged right side elevation view thereof;

FIG. 7 is an enlarged front elevation view thereof; and,

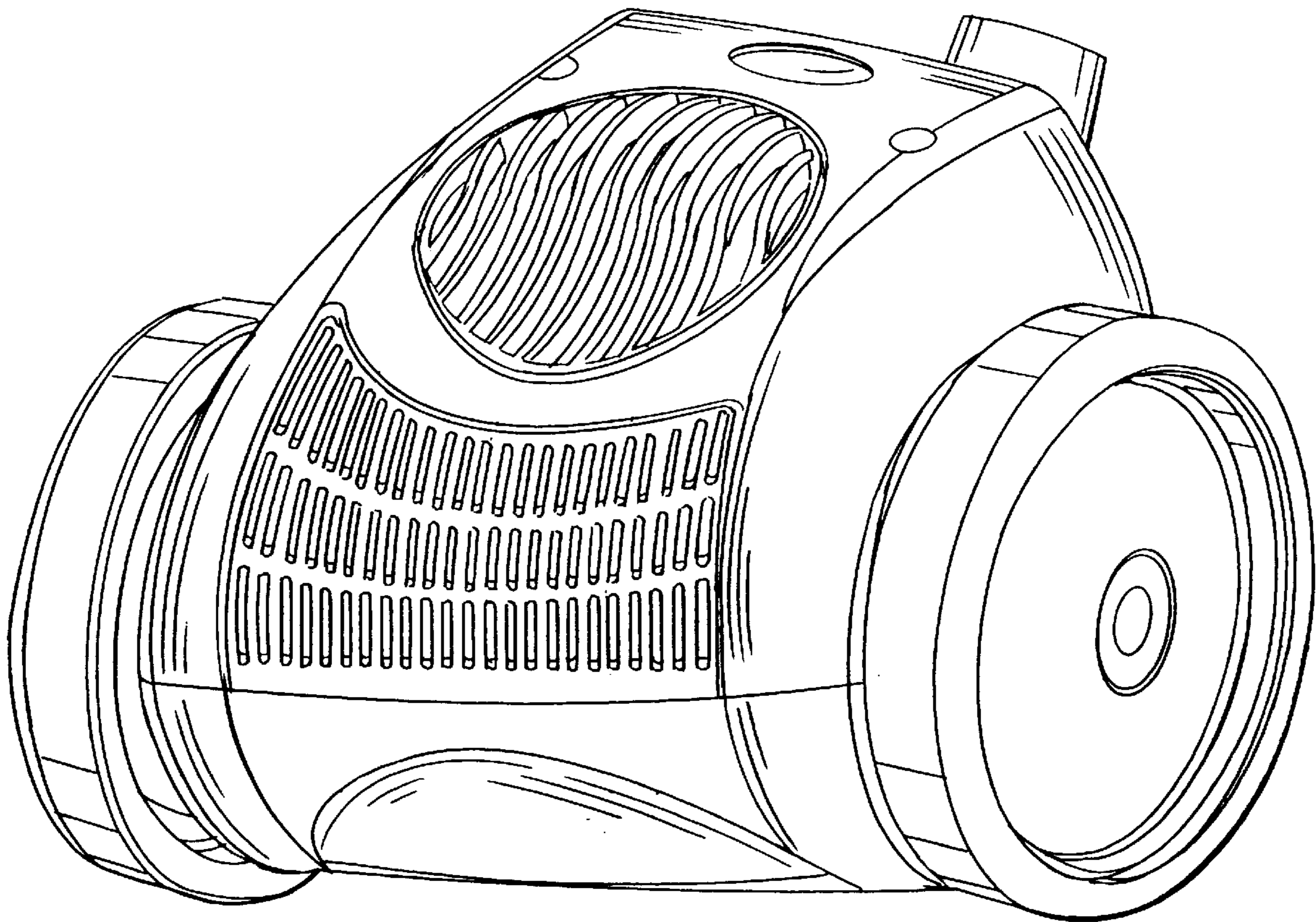
FIG. 8 is an enlarged rear elevation view thereof.

[56] **References Cited**

**U.S. PATENT DOCUMENTS**

D. 376,450 12/1996 Campbell et al. .  
3,822,754 7/1974 Henkin et al. .

**1 Claim, 8 Drawing Sheets**



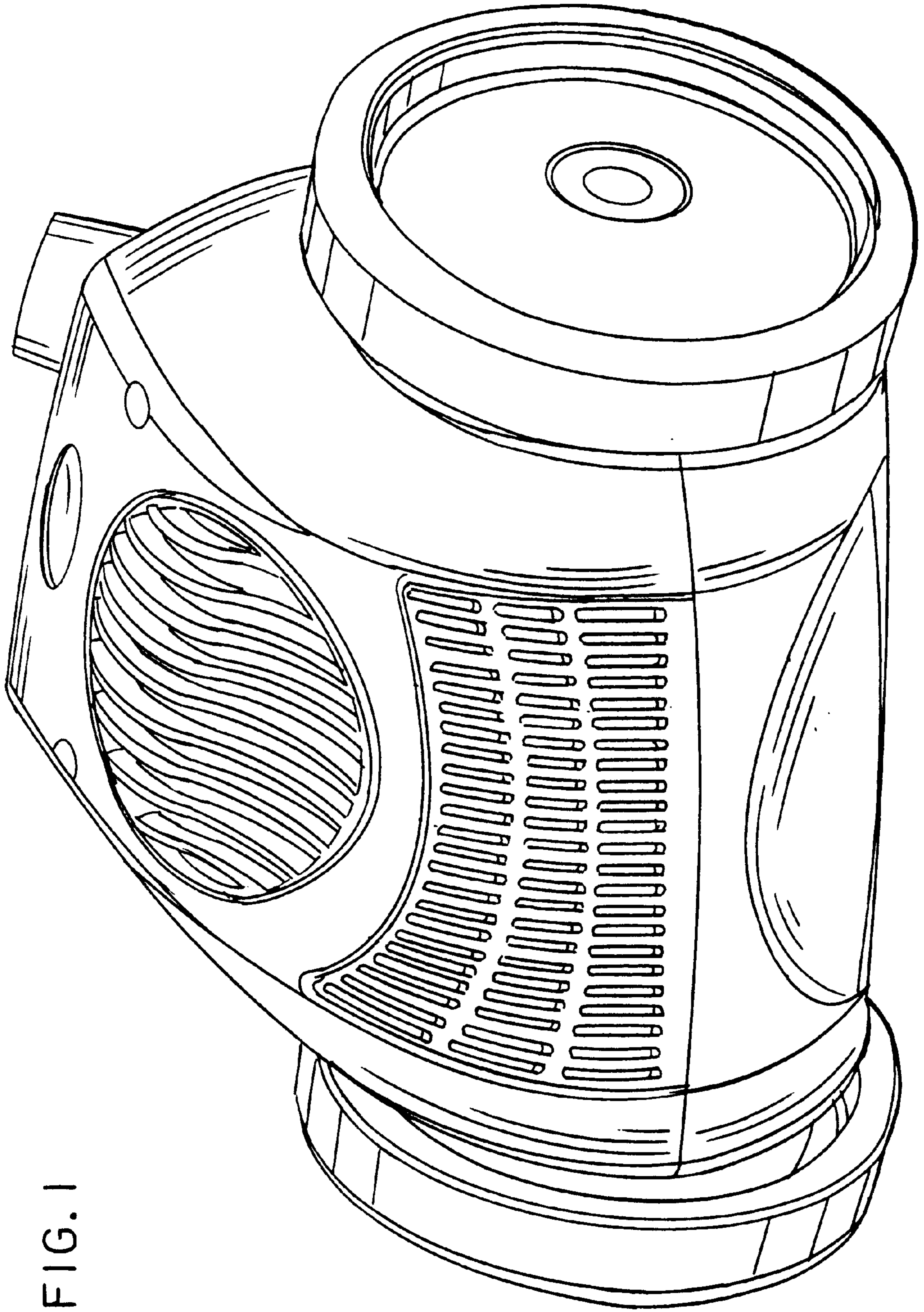


FIG. 1

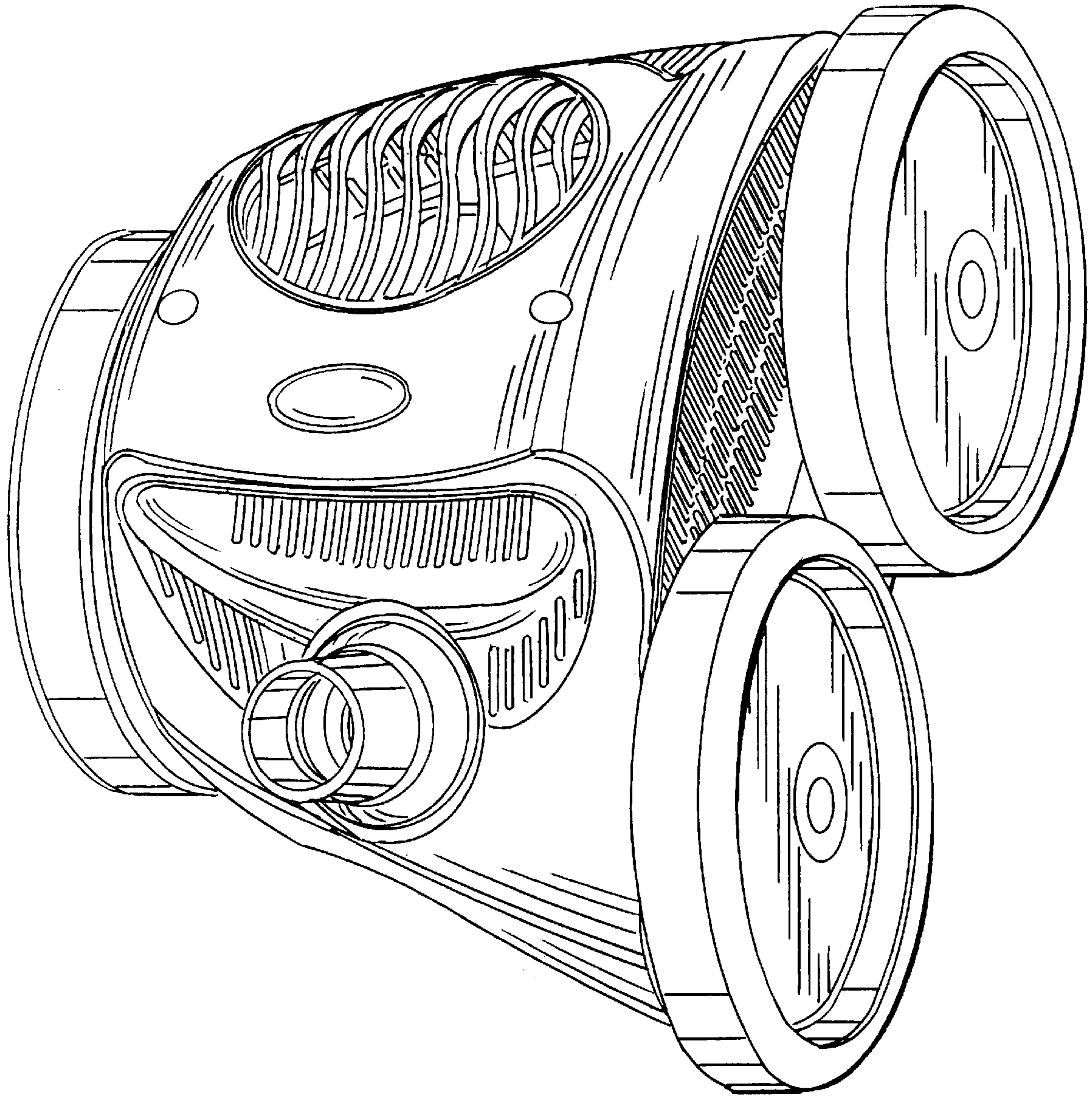


FIG. 2

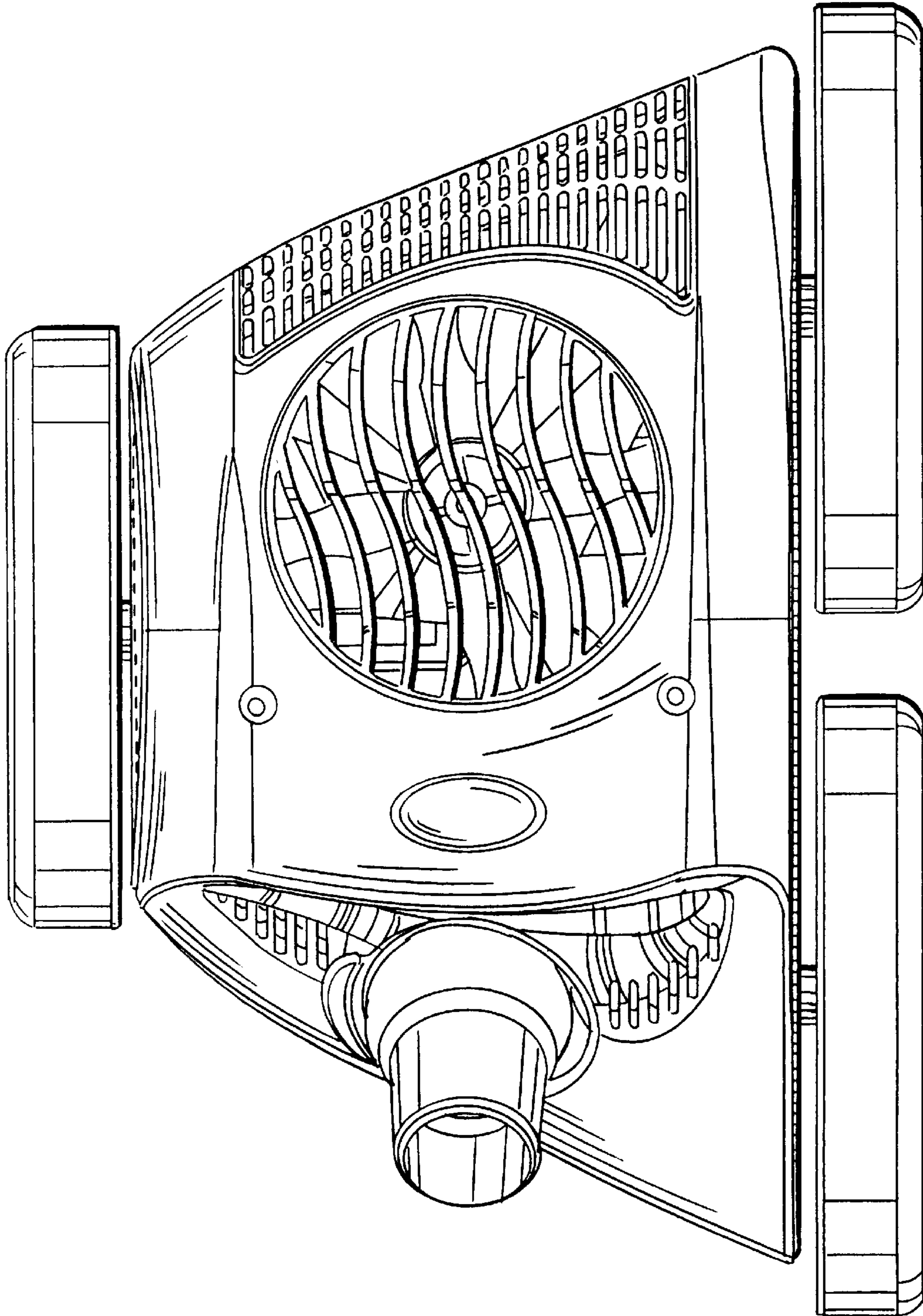


FIG. 3

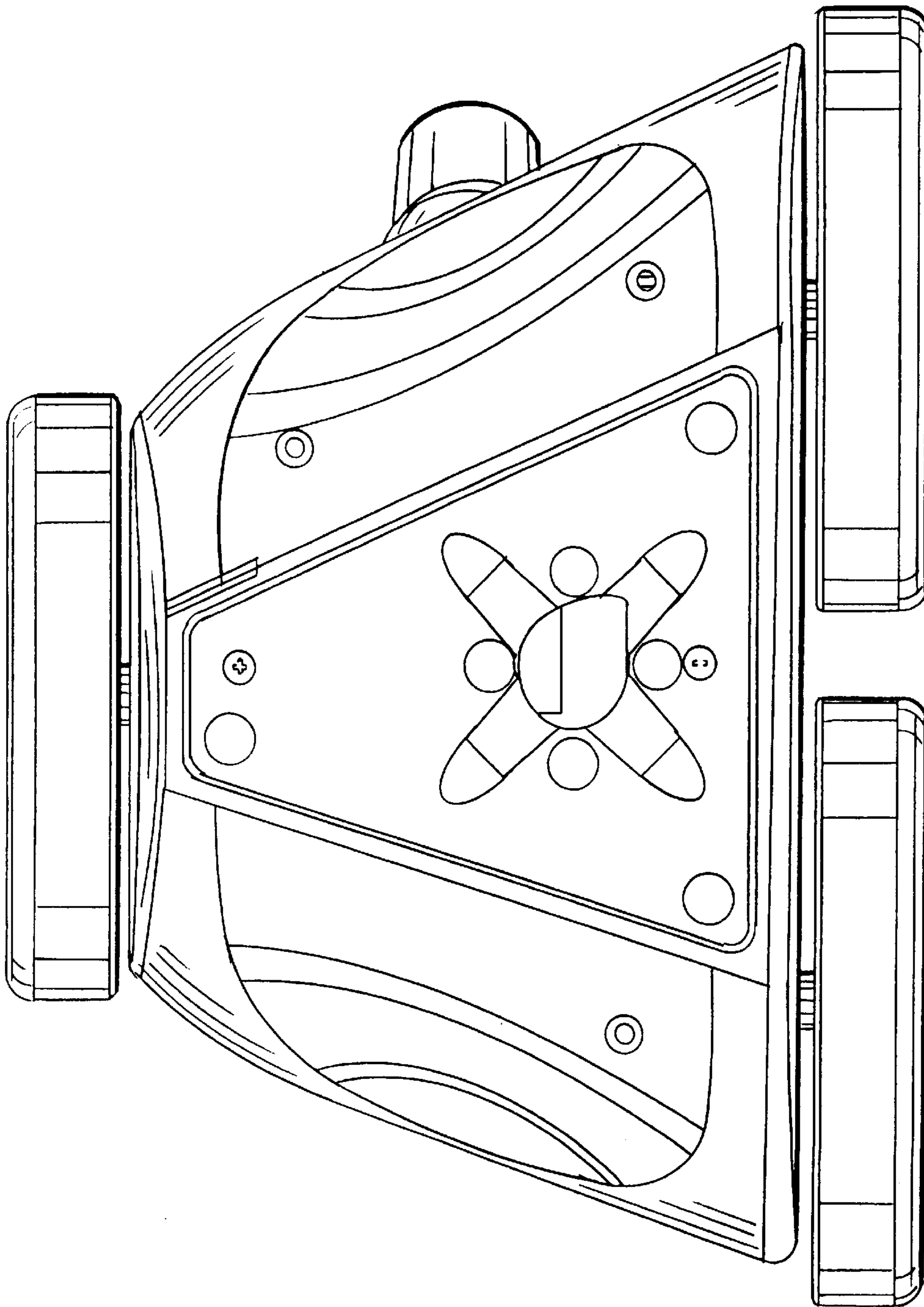


FIG. 4

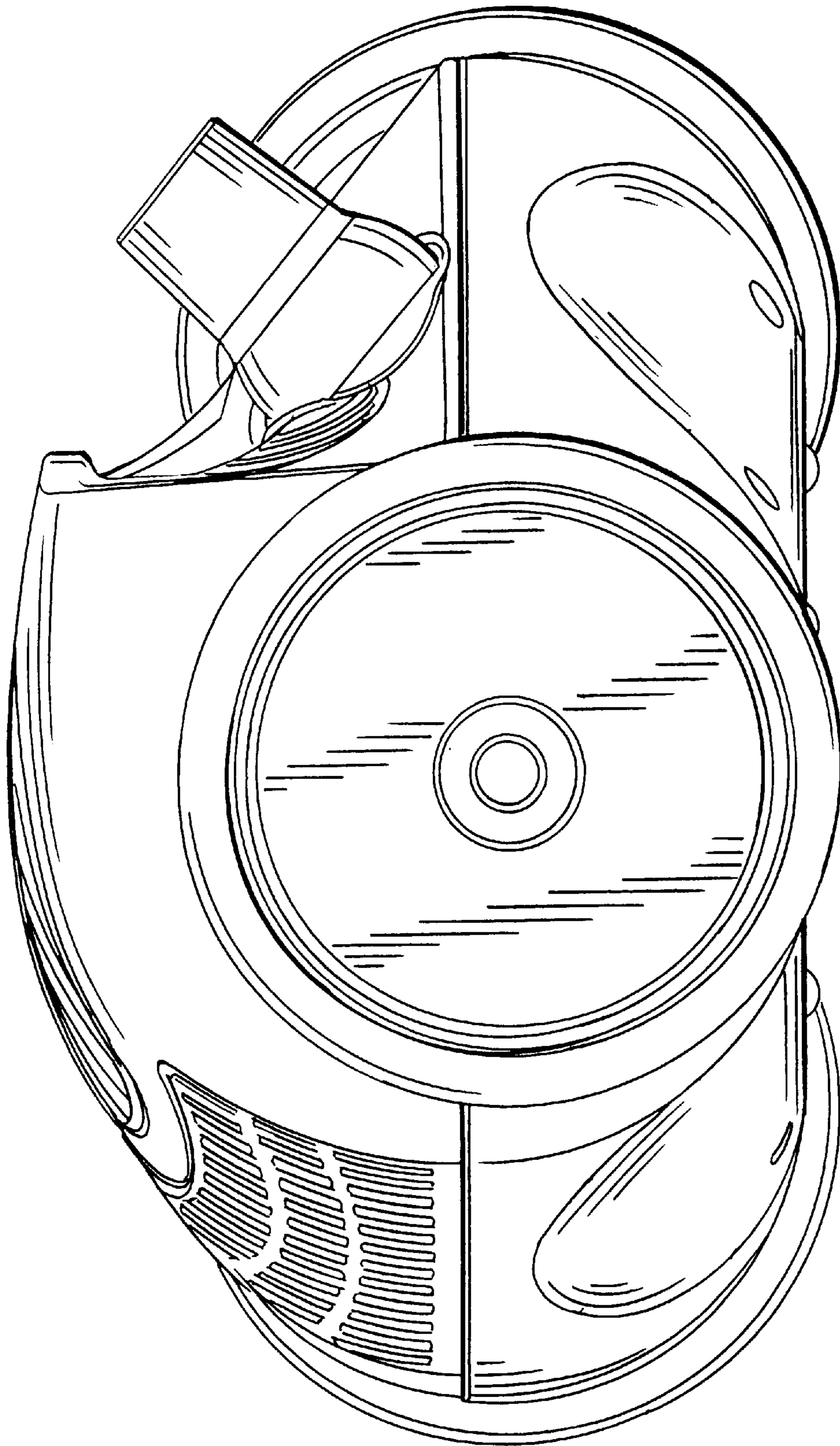


FIG. 5

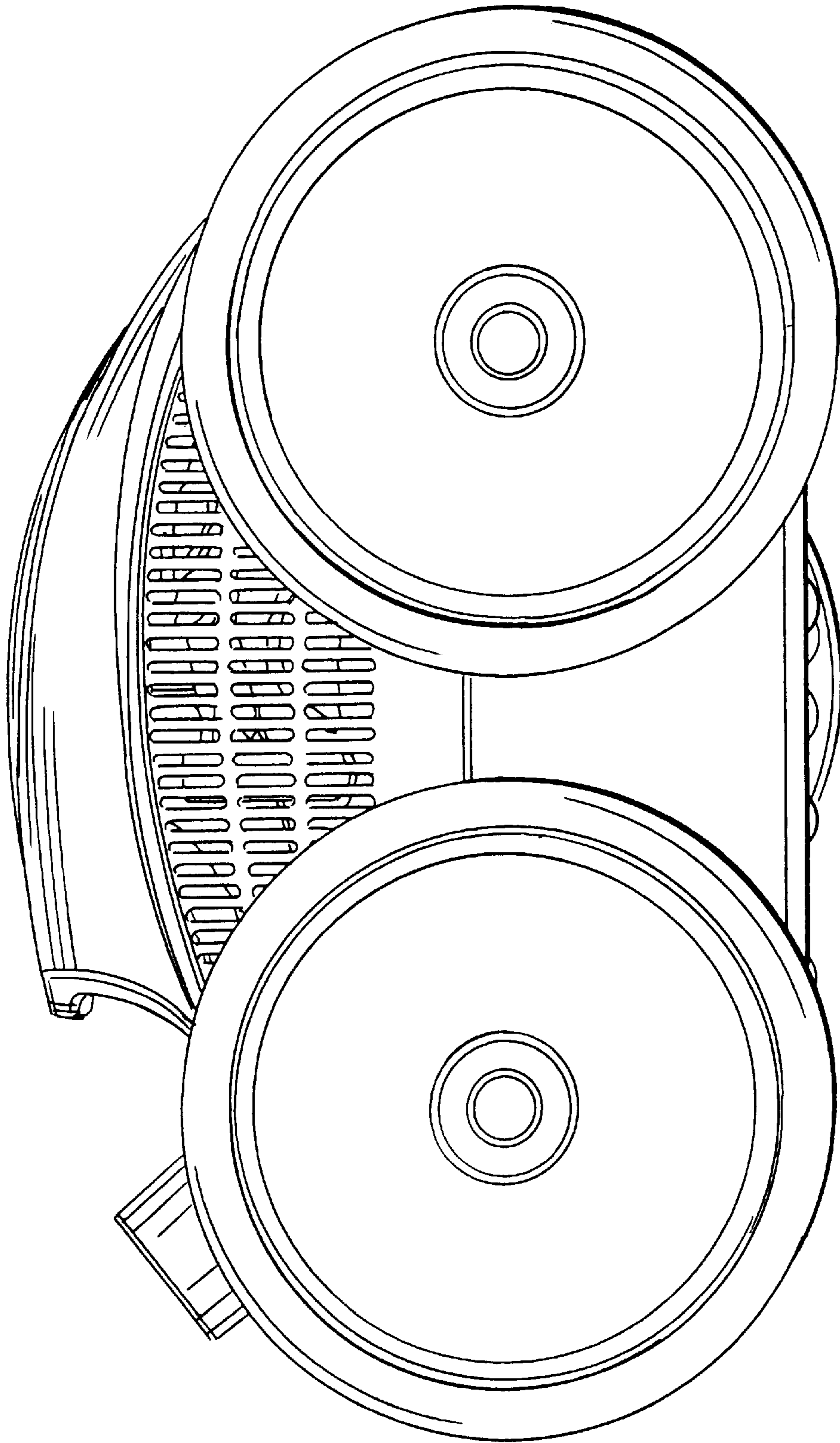


FIG. 6

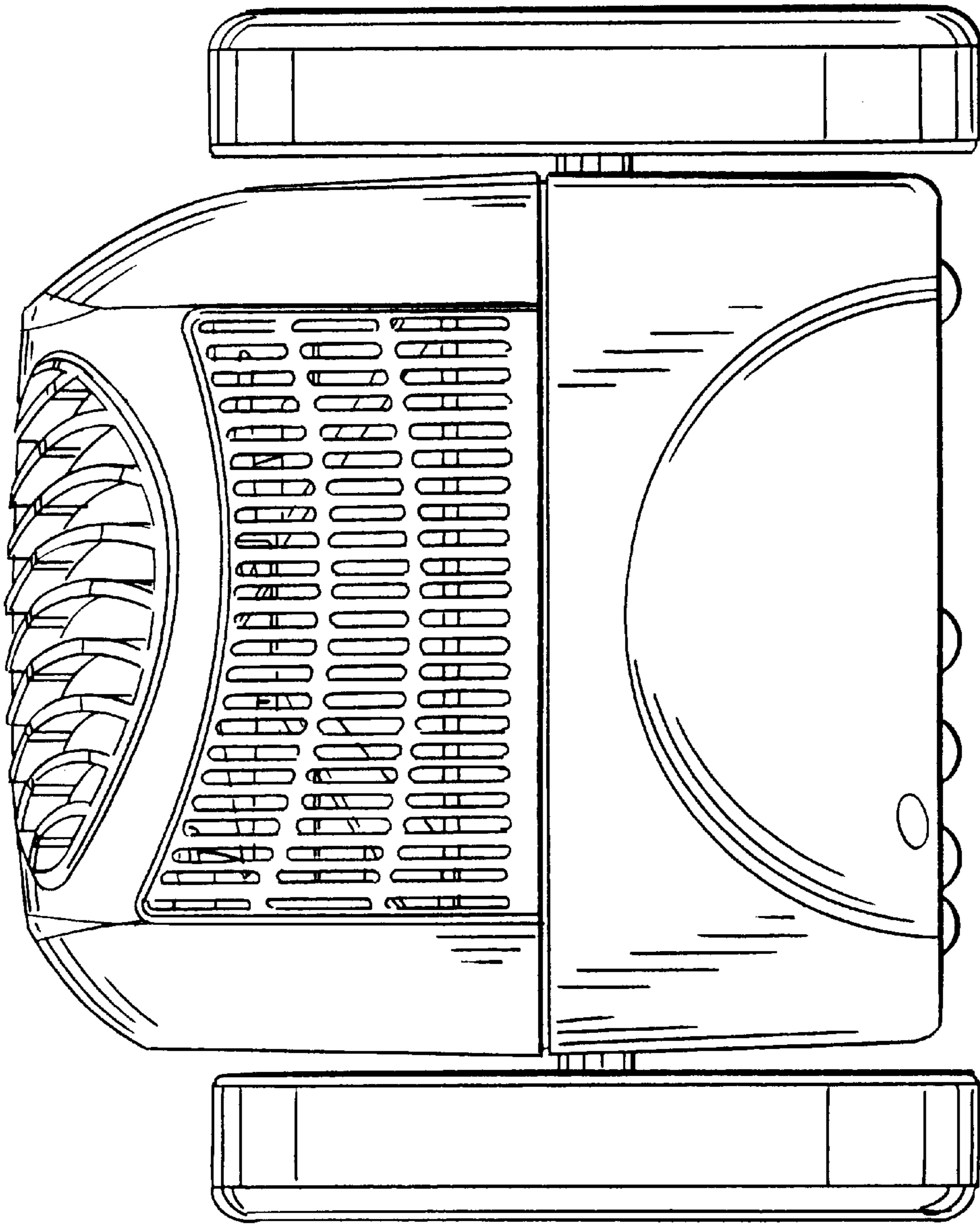


FIG. 7



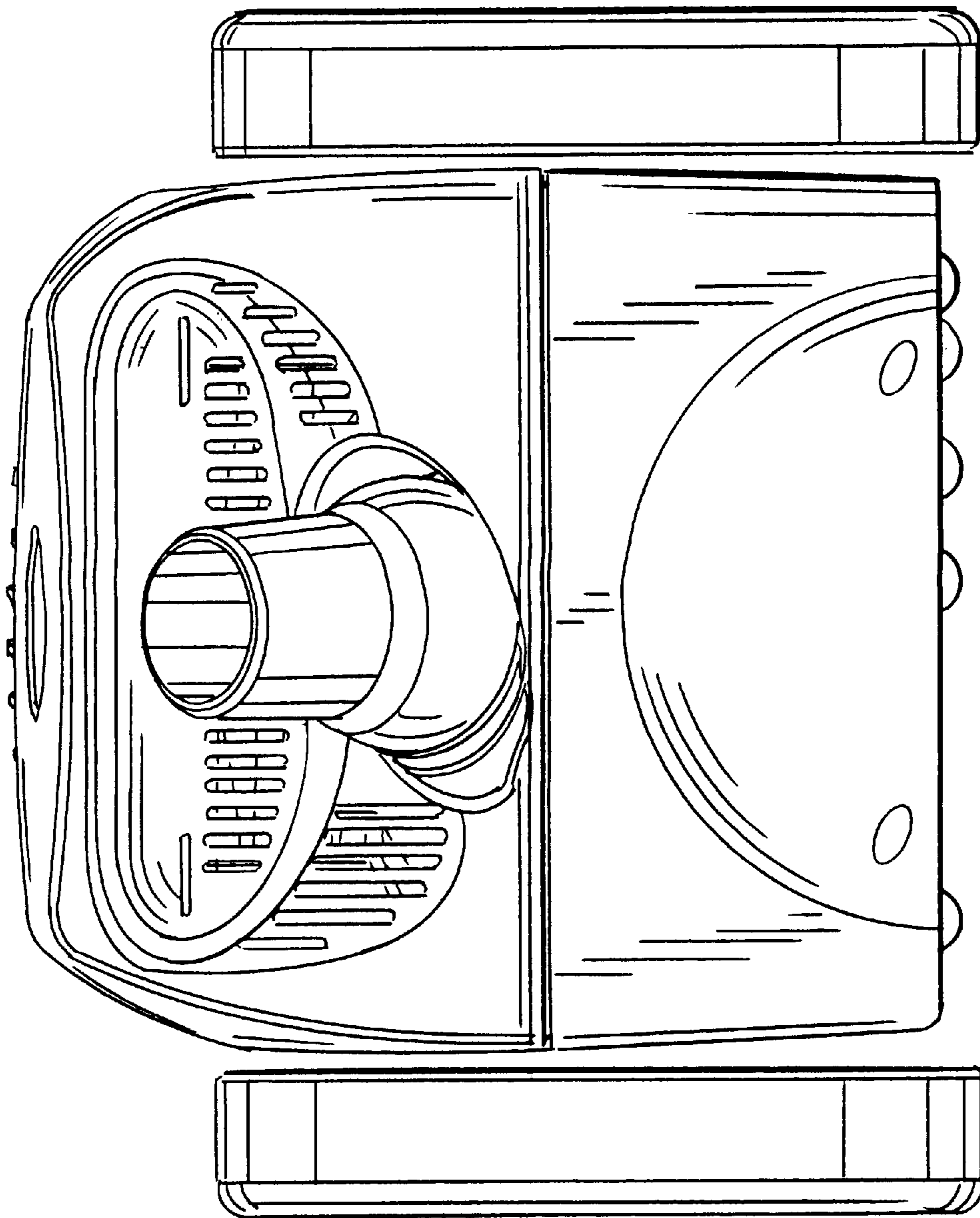


FIG. 8