



US00D418636S

United States Patent [19]

Marconi, Jr.

[11] Patent Number: **Des. 418,636**

[45] Date of Patent: **** Jan. 4, 2000**

[54] **PET HARNESS WITH RESTRICTIVE ACCESS DEVICE COLLAR DESIGNED TO PROHIBIT PASSAGE THROUGH FENCES**

[76] Inventor: **John Anthony Marconi, Jr.**, 24418 E. Top Ct., Diamond Bar, Calif. 91765

[**] Term: **14 Years**

[21] Appl. No.: **29/092,583**

[22] Filed: **Aug. 24, 1998**

[51] **LOC (7) Cl.** **30-09**

[52] **U.S. Cl.** **D30/152**

[58] **Field of Search** D30/144, 151, D30/152; 119/815, 821, 855, 856, 858, 859, 760; D11/3, 4, 6

[56] **References Cited**

U.S. PATENT DOCUMENTS

180,518	8/1876	Armentrout	119/855
D. 353,119	12/1994	Greeley et al.	D11/3
D. 375,612	11/1996	Elder	D30/152 X
439,598	10/1890	Huntoon et al.	119/815

3,013,530	12/1961	Zeman	119/815
3,036,554	5/1962	Johnson	119/821
4,173,201	11/1979	Chao et al.	119/821
4,476,814	10/1984	Miller	119/859
5,628,283	5/1997	Huegelmeier	119/815

Primary Examiner—Stella Reid
Assistant Examiner—Catherine R. Oliver

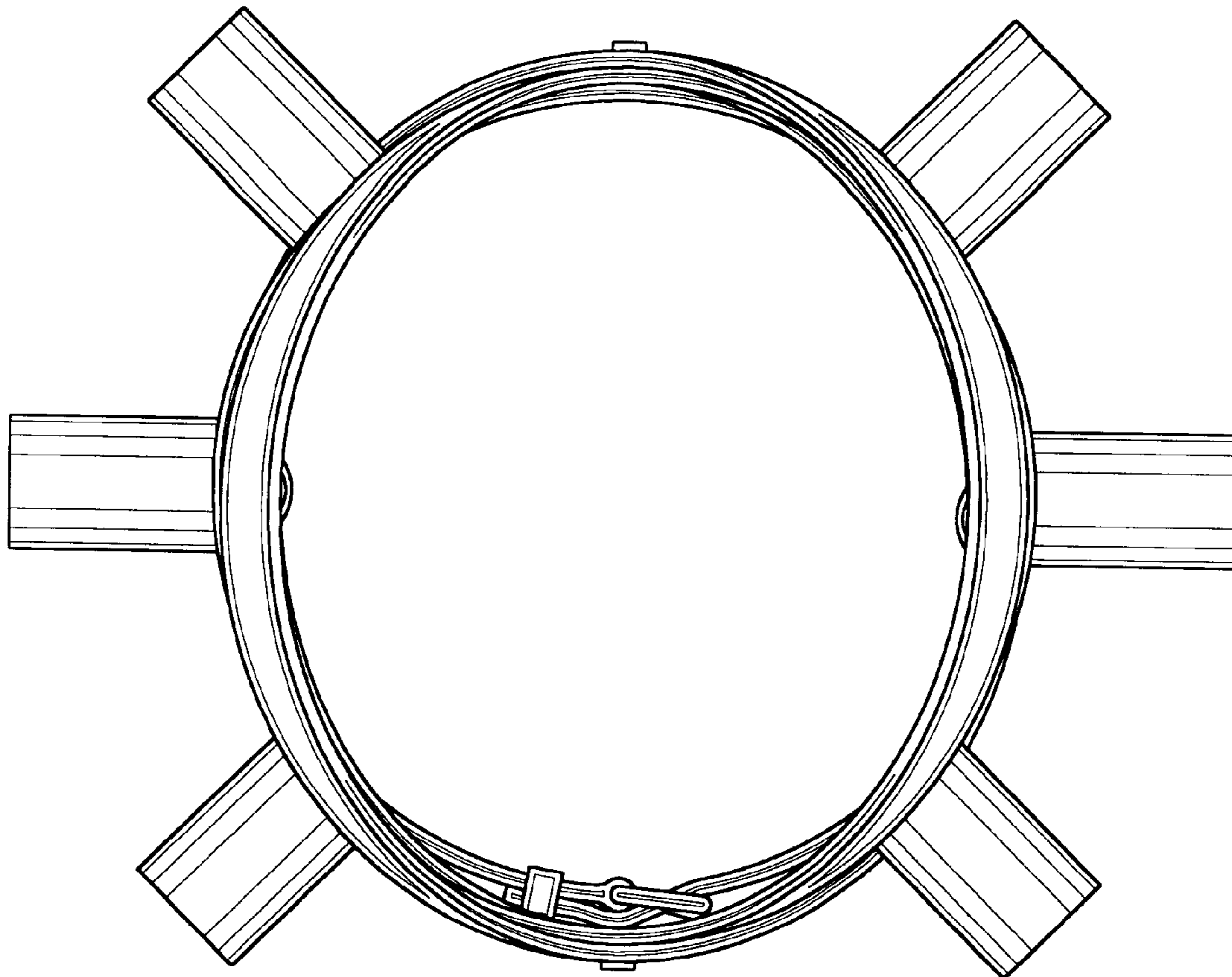
[57] **CLAIM**

The ornamental design for a pet harness with restrictive access device collar designed to prohibit passage through fences, as shown and described.

DESCRIPTION

FIG. 1 is a front elevational view of the pet harness with restrictive access device collar designed to prohibit passage through fences showing my new design; FIG. 2 is a rear elevational view thereof; FIG. 3 is a right side view thereof; FIG. 4 is a left side view thereof; FIG. 5 is a top plan view thereof; and, FIG. 6 is a bottom plan view thereof.

1 Claim, 3 Drawing Sheets



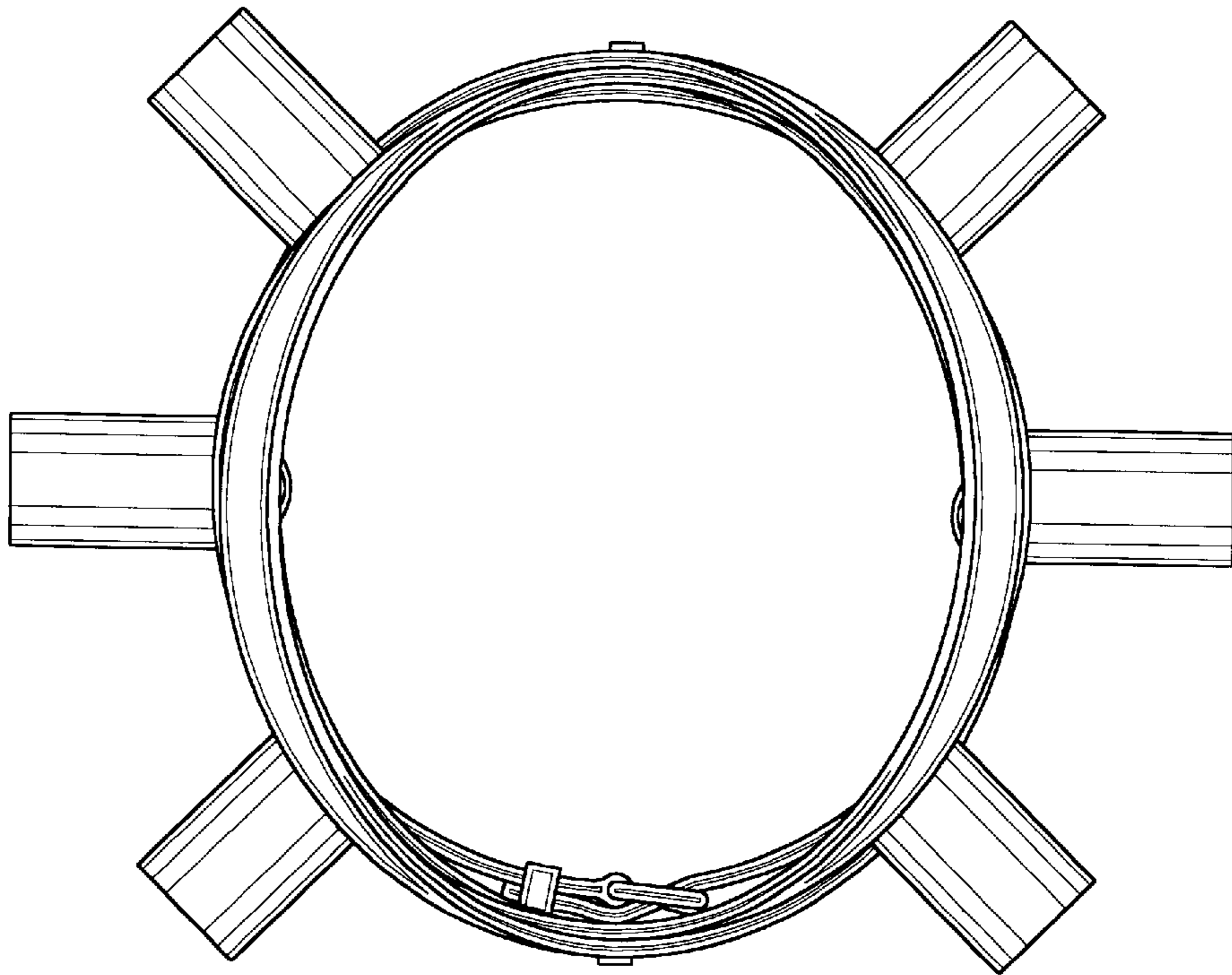


Fig. 1

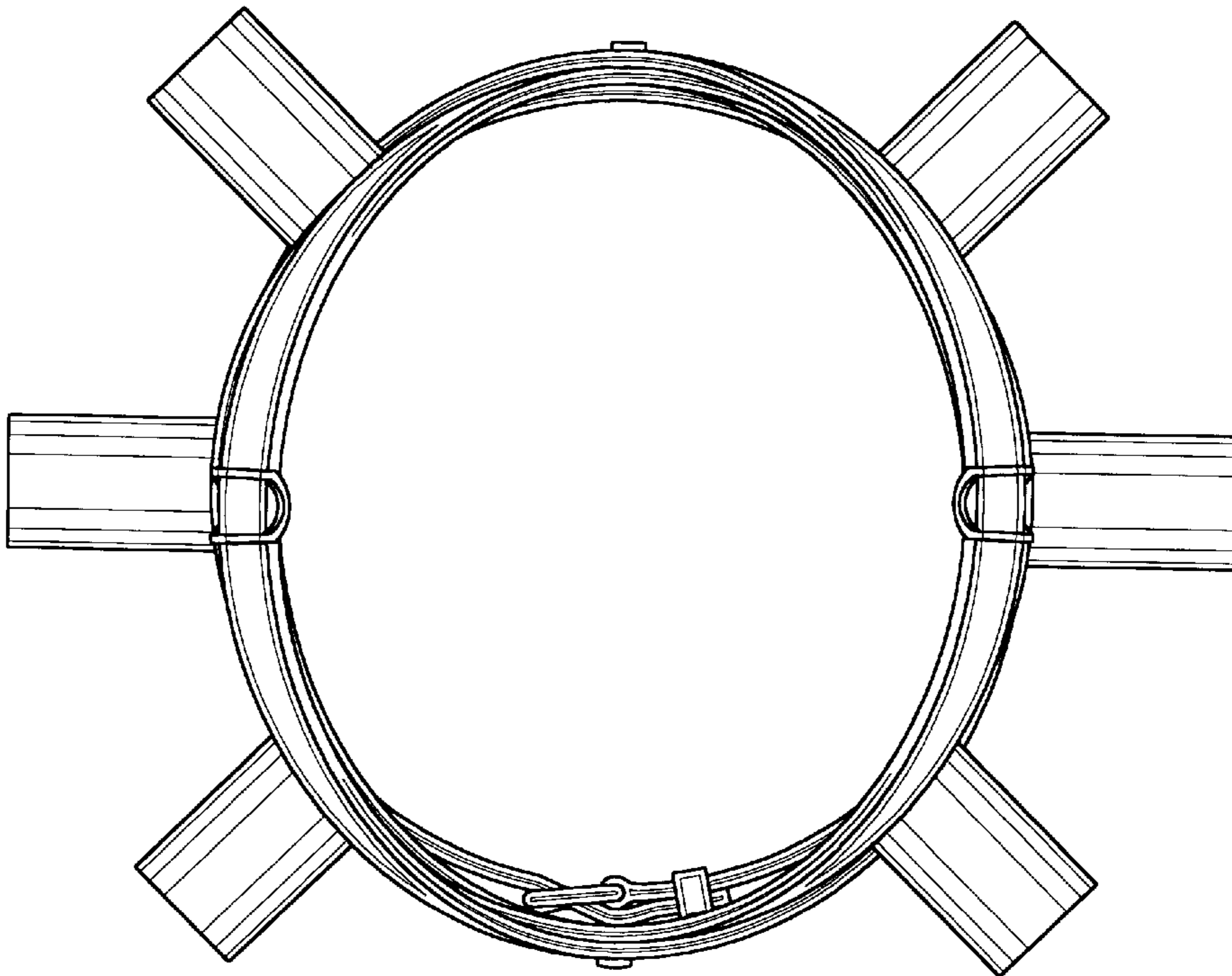


Fig. 2

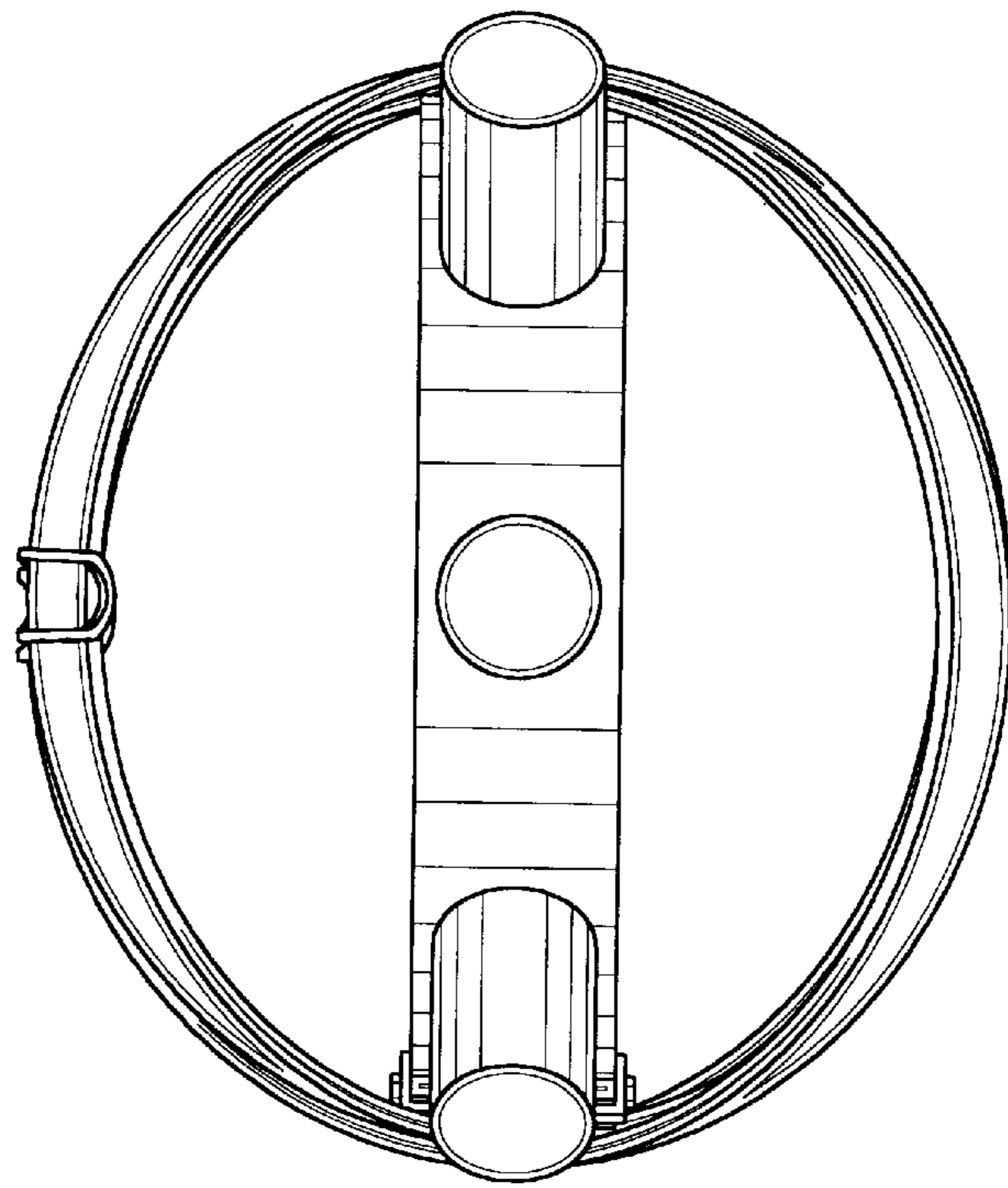


Fig. 3

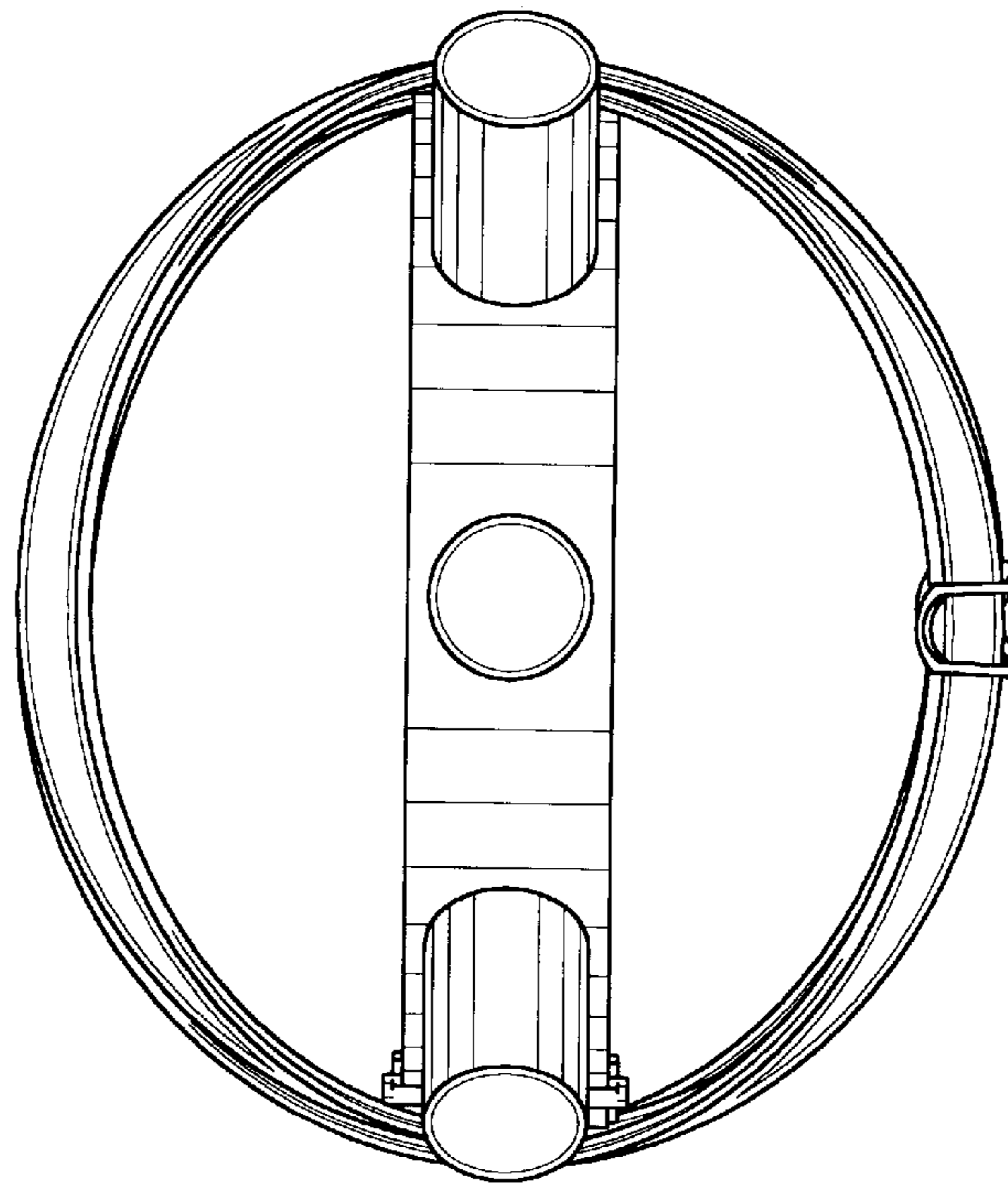


Fig. 4

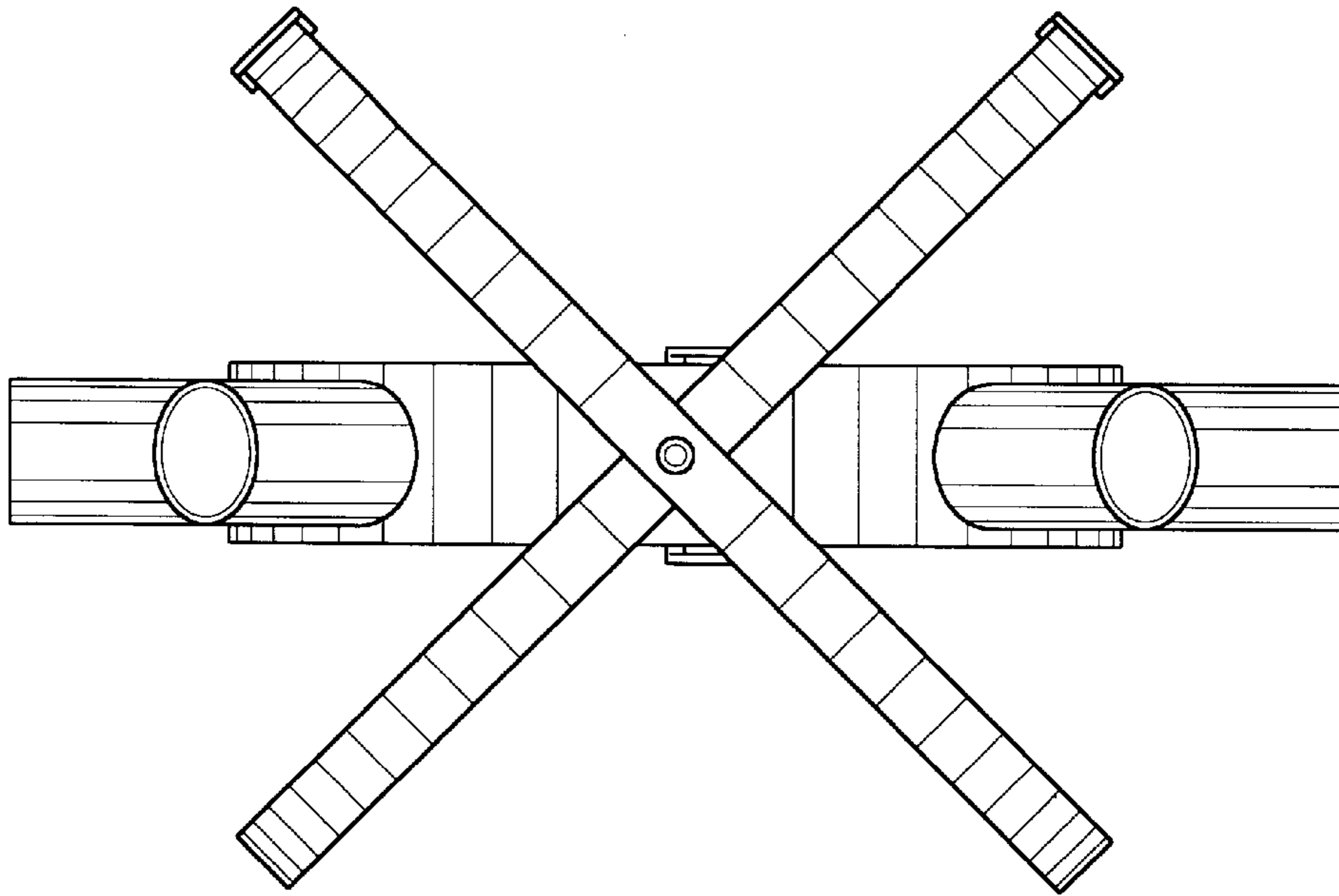


Fig. 5

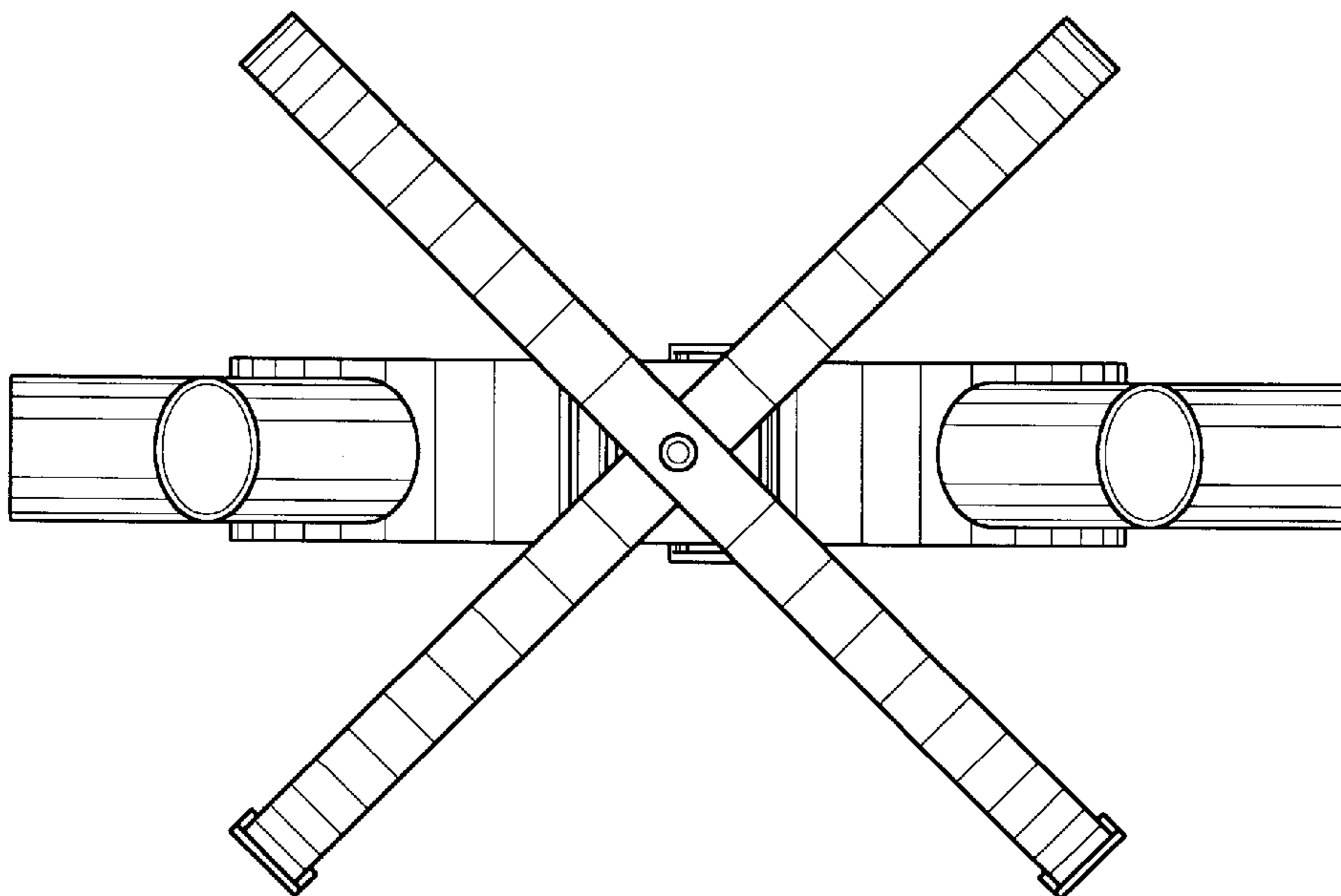


Fig. 6