



US00D418632S

United States Patent [19]

Fauerbach et al.

[11] Patent Number: Des. 418,632

[45] Date of Patent: ** Jan. 4, 2000

[54] NAIL BUFFER WITH NUMBERED SIDE PANELS

[75] Inventors: Kurt Alan Fauerbach, Montclair, N.J.; Chun-Chieh Lin, Rego Park; Rachel Clark Stewart, Brooklyn, both of N.Y.

[73] Assignee: Revlon Consumer Products Corporation, New York, N.Y.

[*] Notice: This patent is subject to a terminal disclaimer.

[**] Term: 14 Years

[21] Appl. No.: 29/099,405

[22] Filed: Jan. 20, 1999

[51] LOC (7) Cl. 28-03

[52] U.S. Cl. D28/59

[58] Field of Search D28/56, 57, 59, D28/61, 62; 132/73, 73.5, 75.3, 75.6, 76.2, 76.4, 76.5

[56] References Cited

U.S. PATENT DOCUMENTS

D. 49,710	9/1916	Lupo	D28/59
D. 257,541	11/1980	Fox et al.	D28/59
D. 260,304	8/1981	Rosenberg	D28/59
D. 281,729	12/1985	Mast	D28/59
D. 369,438	4/1996	Resler	D28/59
3,318,318	5/1967	Gerwirz	132/76.4
3,706,316	12/1972	Ishii	132/76.4
3,923,070	12/1975	Tsukamoto	132/73
4,034,769	7/1977	Nishimura	132/76.4
4,343,910	8/1982	Busch, Jr. et al.	521/82
4,366,828	1/1983	Hokoma	132/75.6

4,459,987	7/1984	Pangburn	128/355
4,572,222	2/1986	Pangburn	132/76.4
4,712,552	12/1987	Pangburn	128/355
5,275,181	1/1994	Rudolph, Jr.	132/76.4
5,287,863	2/1994	La Joie et al.	132/76.4
5,666,981	9/1997	Stephens	132/76.4
5,813,416	9/1998	Rudolph	132/76.4

OTHER PUBLICATIONS

Hong Kong Enterprise Feb. 1993, p. 427—item No. ER-4, ER-4S, R-E3-S, ER-3S, ER-3, R-E3, R-E4S, R-E4-PS and R-E4-ES.

Primary Examiner—Lucy Lieberman
Assistant Examiner—C Tuttle
Attorney, Agent, or Firm—Julie Blackburn

[57] CLAIM

The ornamental design for a nail buffer with numbered side panels, as shown and described.

DESCRIPTION

FIG. 1 is a front perspective view of the nail buffer showing a top panel and two side half panels which are numbered; FIG. 2 is a top plan view of the nail buffer showing the top panel; FIG. 3 is a right side view of the nail buffer showing the two side half panels which are numbered; FIG. 4 is a left side view of the nail buffer showing two side half panels which are numbered; FIG. 5 is a bottom plan view of the nail buffer showing the bottom panel; FIG. 6 is a front plan view of the nail buffer showing the intersection of the two numbered side panels; and, FIG. 7 is a rear plan view of the nail buffer showing the intersection of two numbered side panels.

1 Claim, 1 Drawing Sheet

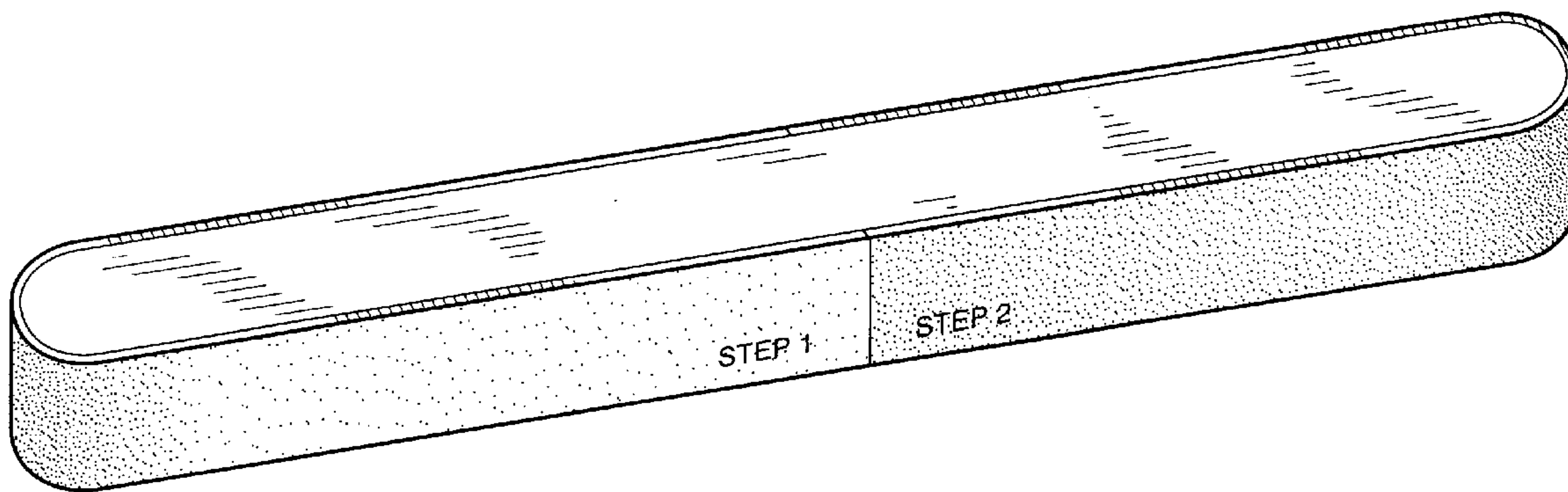


FIG. 1

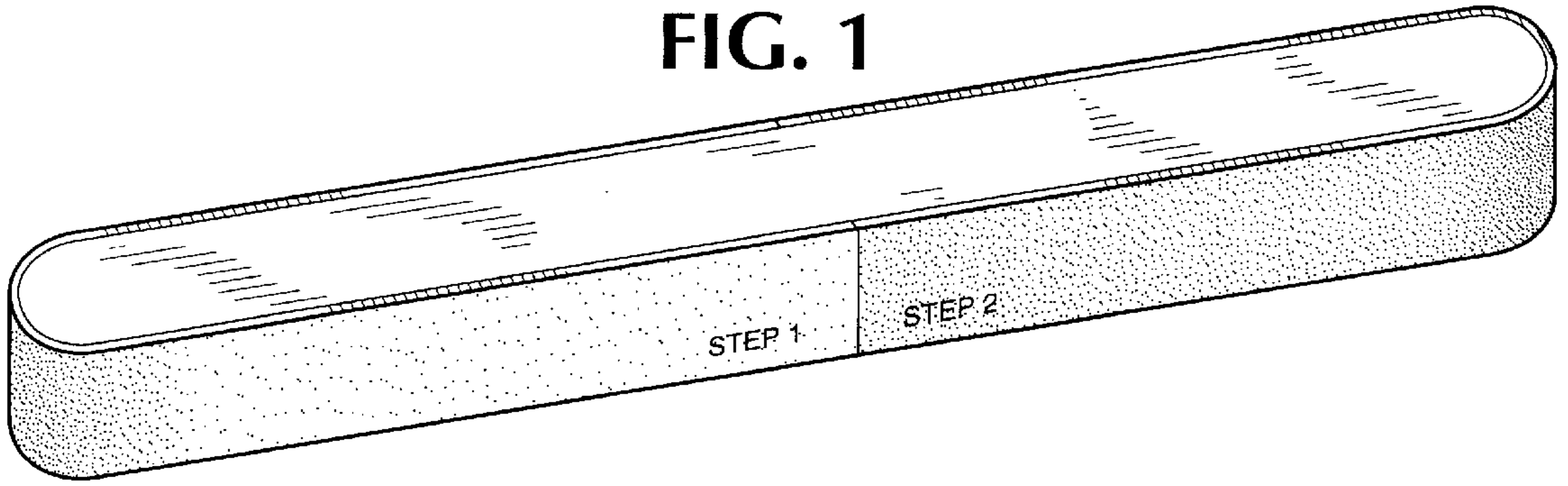


FIG. 2

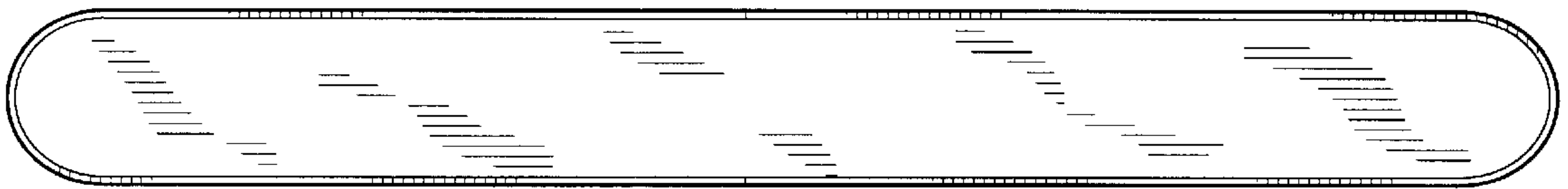


FIG. 3



FIG. 4

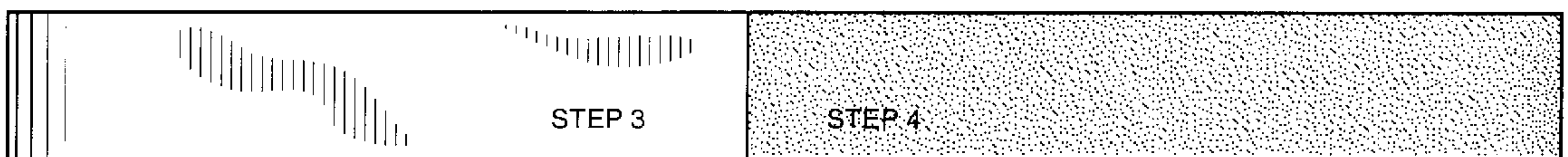


FIG. 5

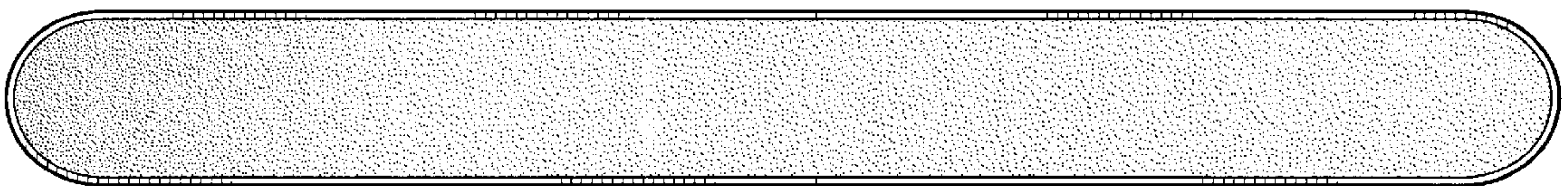


FIG. 6

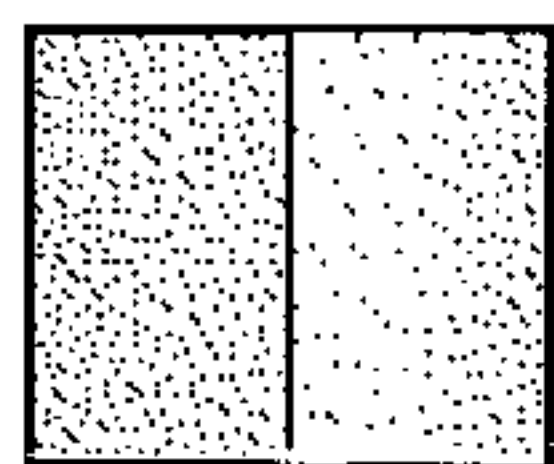


FIG. 7

