



US00D418630S

# United States Patent [19] Flory

[11] **Patent Number: Des. 418,630**  
[45] **Date of Patent: \*\* Jan. 4, 2000**

[54] **COTTON BALL HOLDER**

[76] Inventor: **Dawn Flory**, 7600 Ambergate Pl.,  
Riverside, Calif. 92504

[\*\*] Term: **14 Years**

[21] Appl. No.: **29/084,823**

[22] Filed: **Mar. 11, 1998**

[51] **LOC (7) Cl. .... 28-02**

[52] **U.S. Cl. .... D28/7; D28/8; D28/73**

[58] **Field of Search** ..... D28/7, 8, 76, 77,  
D28/91, 73; D8/312, 300, 307, 310, DIG. 2,  
DIG. 3, 107; D9/338, 436, 439, 443, 435,  
452; D4/127, 135, 138, 199; D24/119;  
D32/52; 132/290-293, 298, 299, 305, 317,  
320; 15/104, 94, 143.1, 145, 229.13, 229.14,  
209.1, 210.1, 244.1; 16/110 R, 114 R, 121,  
DIG. 12, DIG. 19; 401/88, 118, 123-130,  
200, 6; 215/228, 305; 206/15.2, 15.3

[56] **References Cited**

**U.S. PATENT DOCUMENTS**

- D. 46,488 9/1914 Wolfson ..... D9/439
- D. 79,741 10/1929 Muller ..... D8/DIG. 2 X
- D. 106,250 9/1937 Davies ..... D8/312
- D. 145,607 9/1946 Zinkil ..... D8/DIG. 2 X
- D. 152,048 12/1948 Weiss ..... D8/307
- D. 158,728 5/1950 Collins ..... D4/135
- D. 178,005 6/1956 Neushaefer ..... D9/338
- D. 180,044 4/1957 Truex ..... D8/307
- D. 189,444 12/1960 Elliott ..... D32/52
- D. 197,192 12/1963 Lorenzen ..... D9/192
- D. 227,566 7/1973 Thorp ..... D8/312 X
- D. 245,390 8/1977 Hoyt ..... D32/52

- D. 296,081 6/1988 Kuboshima ..... D9/443
- D. 335,074 4/1993 Hahn ..... D8/107 X
- D. 348,954 7/1994 Magone et al. .... D28/7
- 1,937,577 12/1933 Kingman ..... 15/229.13
- 2,248,011 7/1941 Neushaefer ..... 401/6
- 4,690,579 9/1987 Tuckman ..... 401/127
- 5,330,464 7/1994 Mathias et al. .... 604/415
- 5,615,440 4/1997 Cowan et al. .... 15/104.94

**FOREIGN PATENT DOCUMENTS**

- 400639 10/1933 United Kingdom ..... 132/289
- 2183461 6/1987 United Kingdom .

*Primary Examiner*—Ted Shooman  
*Assistant Examiner*—C Tuttle  
*Attorney, Agent, or Firm*—Linval B. Castle

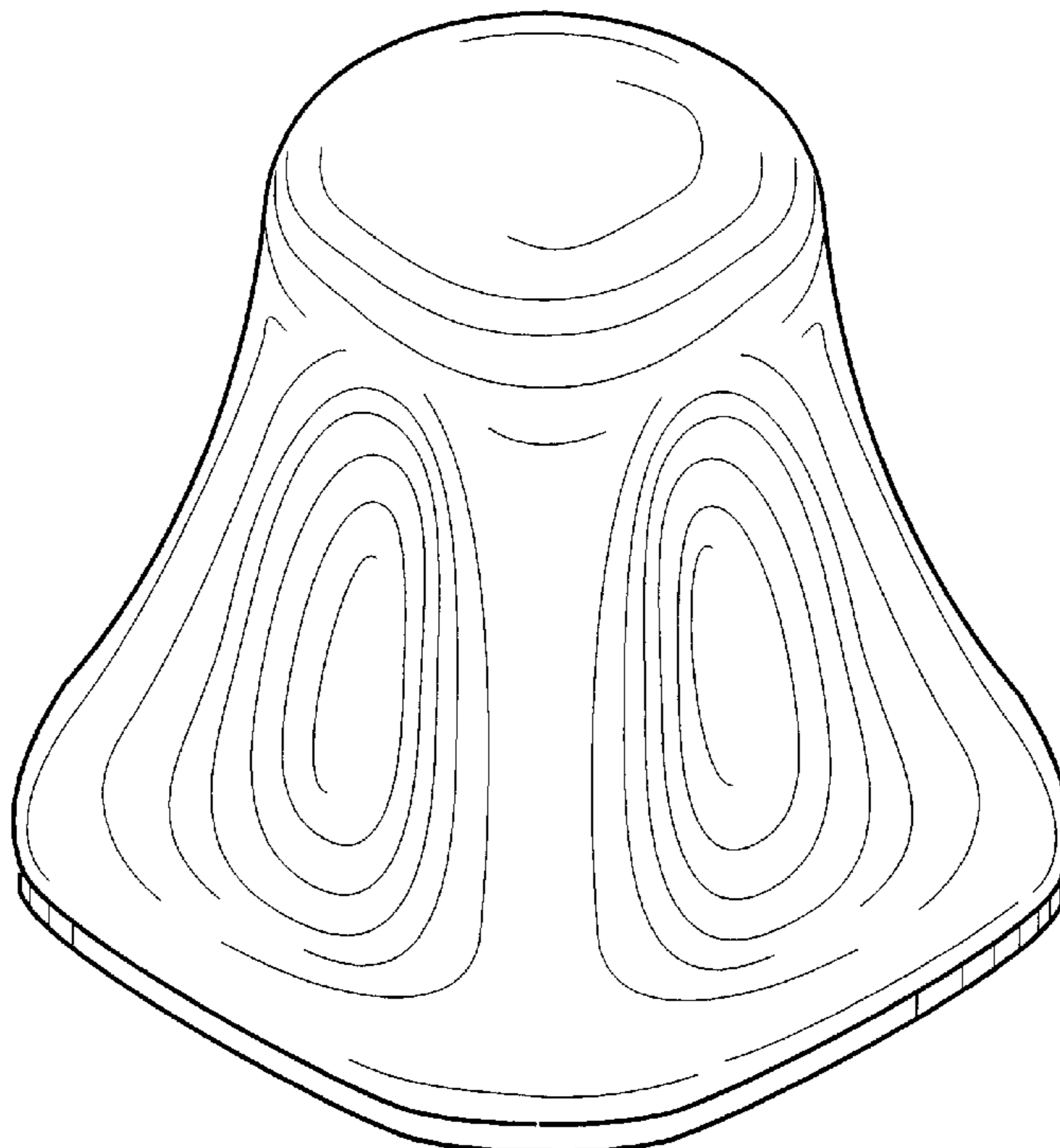
[57] **CLAIM**

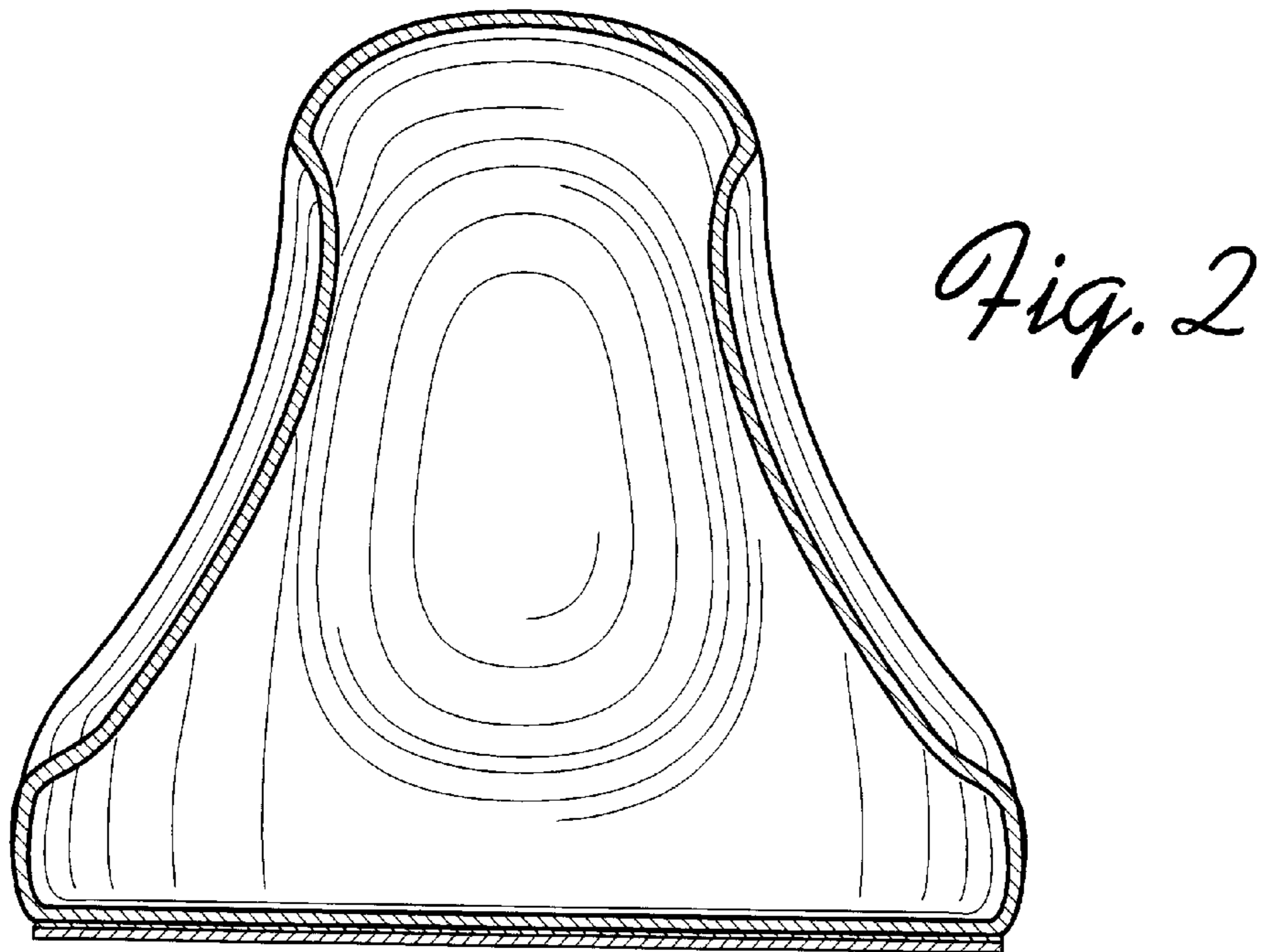
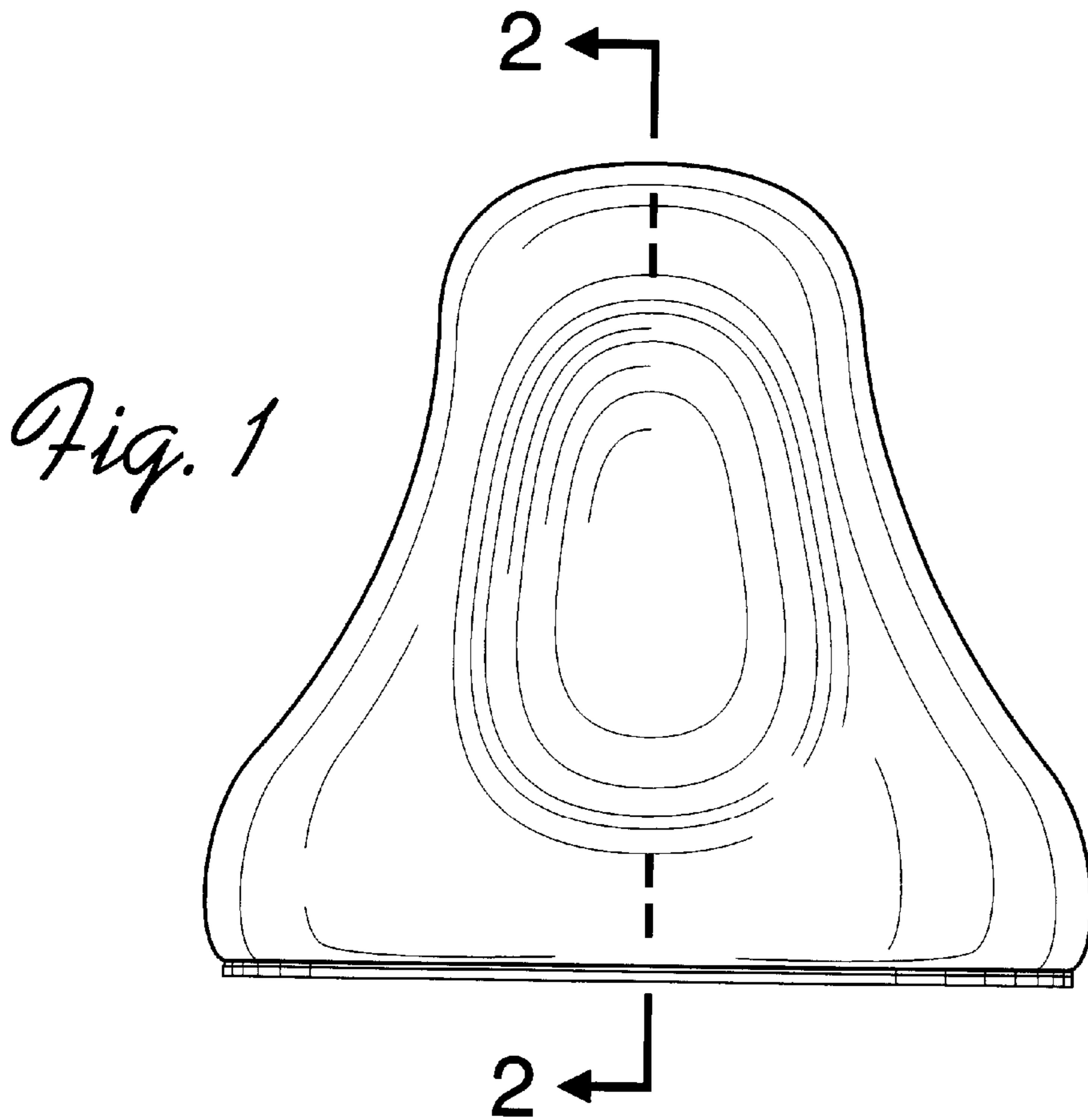
The ornamental design for a cotton ball holder, as shown and described.

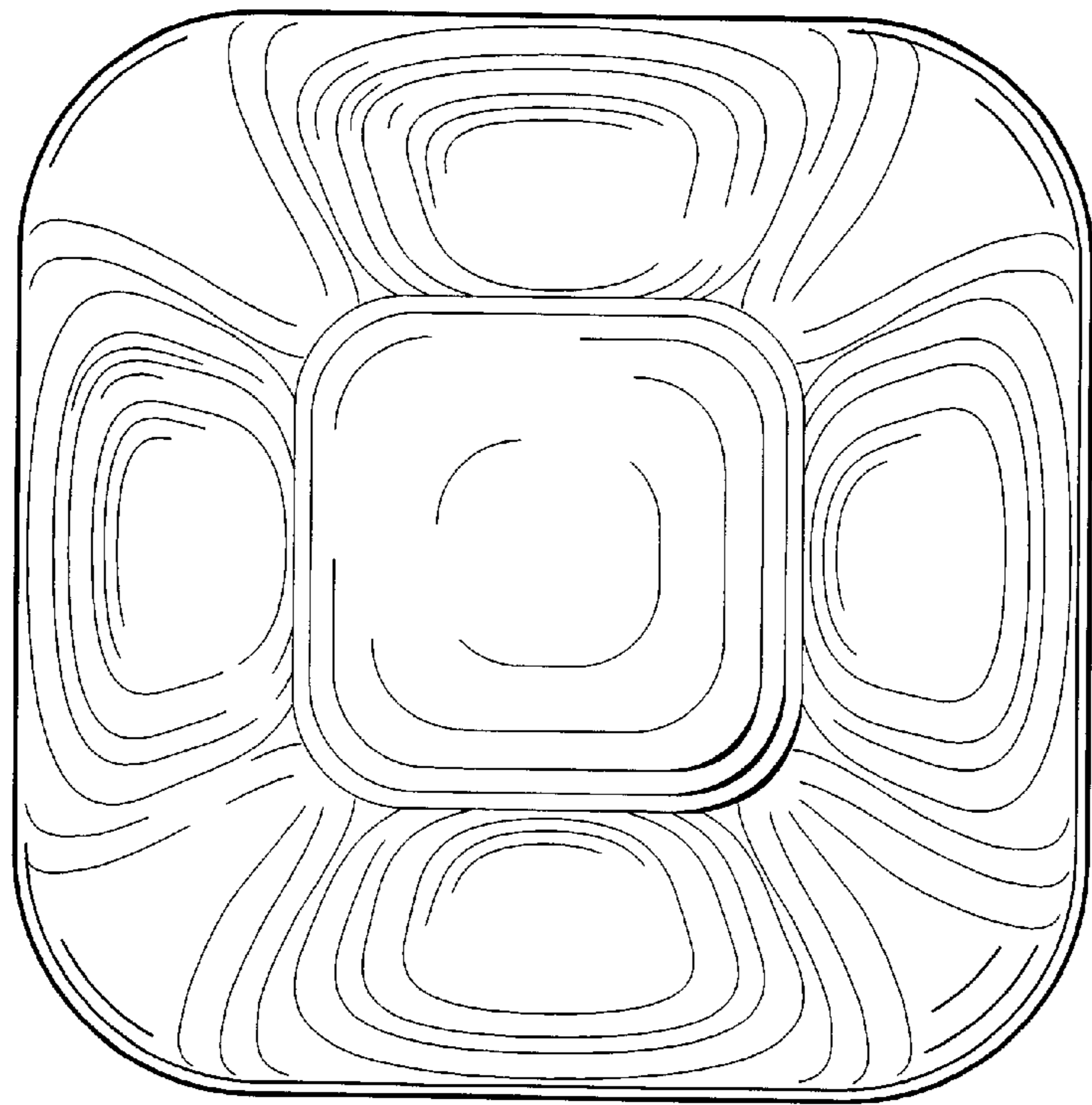
**DESCRIPTION**

FIG. 1 is a side elevational view of a cotton ball holder showing my new design; the opposite and side elevational views being identical to the side shown; FIG. 2 is a sectional view taken along the lines 2—2 of FIG. 1 ; FIG. 3 is a top plan view thereof; FIG. 4 is bottom plan view thereof; FIG. 5 is a perspective view thereof; and, FIG. 6 is a bottom perspective view shown with the bottom layer removed to expose the underlying surface, the broken line showing of a cotton ball adhered thereto being for illustrative purposes only and forming no part of the claimed design.

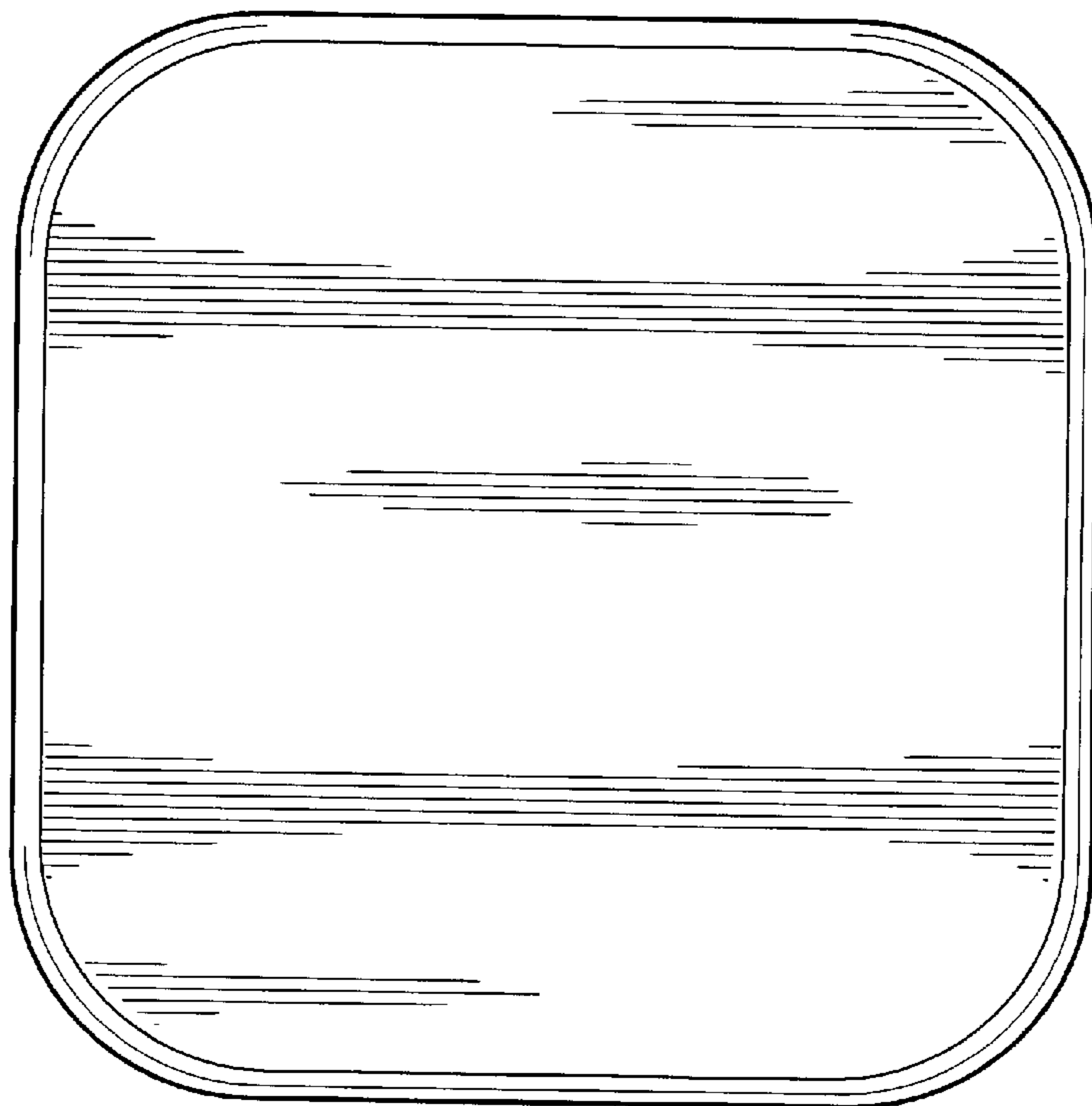
**1 Claim, 3 Drawing Sheets**





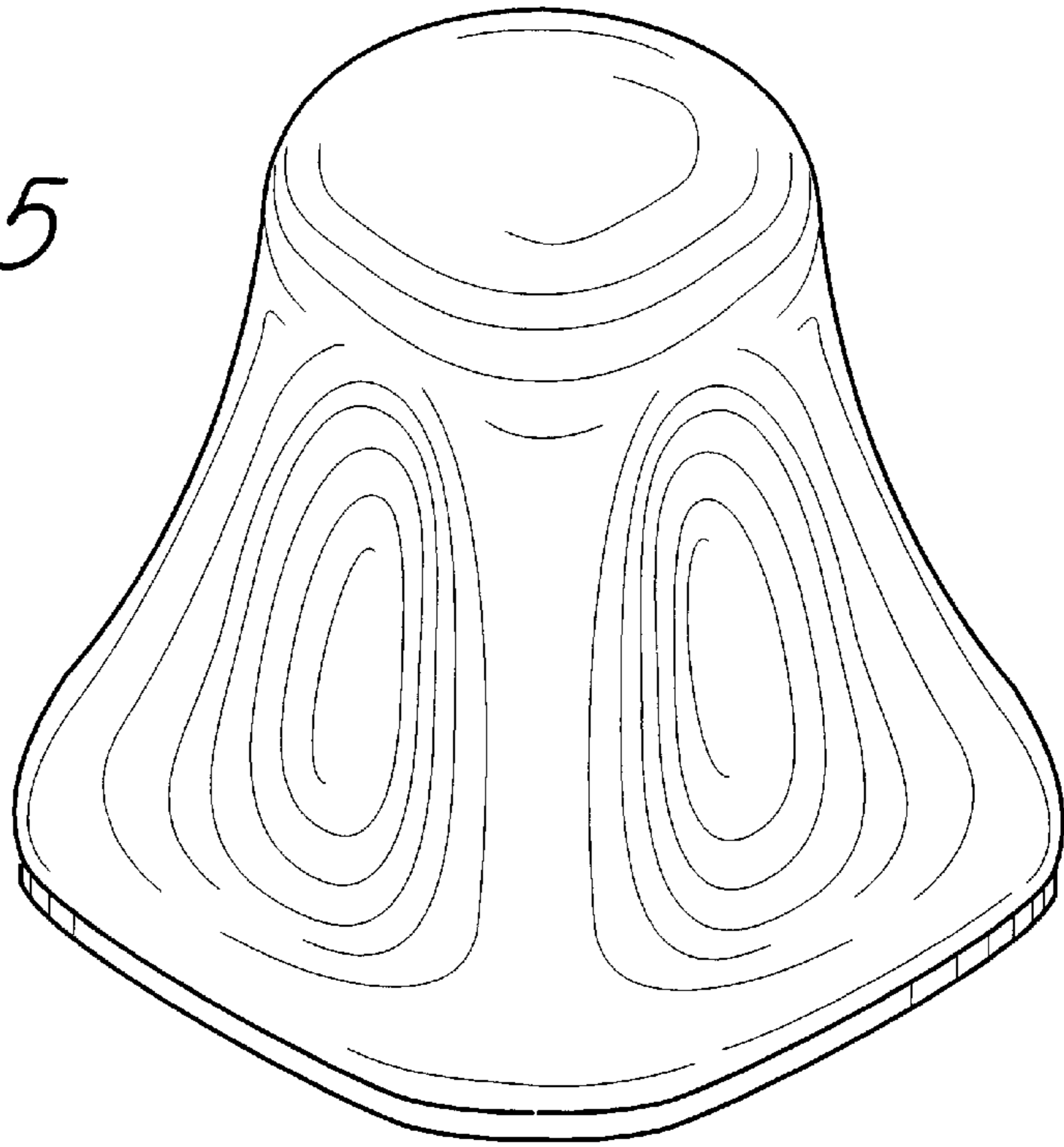


*Fig. 3*



*Fig. 4*

*Fig. 5*



*Fig. 6*

