



US00D418626S

United States Patent [19]

Herst et al.

[11] Patent Number: **Des. 418,626**

[45] Date of Patent: **** Jan. 4, 2000**

[54] **SECTION OF LINEAR LUMINAIRE HOUSING**

[75] Inventors: **Douglas J. Herst, Ross; Utkan Salman**, Oakland, both of Calif.

[73] Assignee: **NSI Enterprises, Inc.**, Atlanta, Ga.

[**] Term: **14 Years**

[21] Appl. No.: **29/089,957**

[22] Filed: **Jun. 25, 1998**

[51] **LOC (7) Cl.** **26-05**

[52] **U.S. Cl.** **D26/118; D26/77**

[58] **Field of Search** D26/72, 75, 76, D26/77, 78, 81, 87; 362/147, 404, 406, 217, 2, 223, 224, 225, 249, 252, 245, 246, 297

[56] **References Cited**

U.S. PATENT DOCUMENTS

D. 365,649	12/1995	Herst et al.	D26/77
D. 397,480	8/1998	Herst et al.	D26/77
D. 399,588	10/1998	St. Ives	D26/76
D. 401,000	11/1998	Herst	D26/76
D. 404,160	1/1999	Herst et al.	D26/76

D. 404,513 1/1999 Herst et al. D26/77

OTHER PUBLICATIONS

“Envision” Product Brochure, Peerless Lighting Corporation, 1994.

U.S. application No. 29/073,508, Herst et al., filed Jul. 7, 1997.

Primary Examiner—Susan J. Lucas
Attorney, Agent, or Firm—Donald L. Beeson

[57] **CLAIM**

The ornamental design for a section of linear luminaire housing, as shown and described.

DESCRIPTION

FIG. 1 is a broken away bottom perspective view of a section of linear luminaire housing in accordance with our new design;

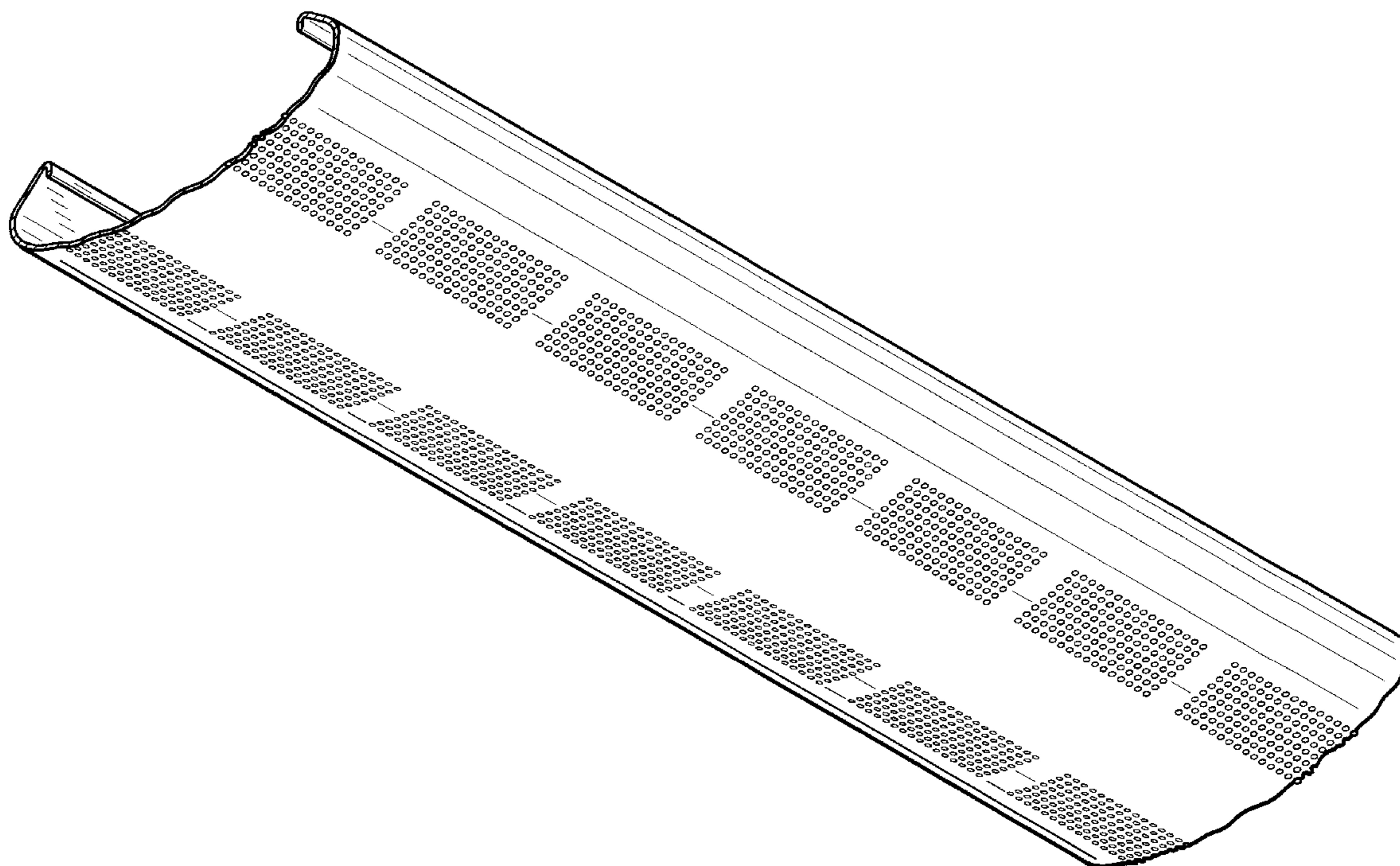
FIG. 2 is a broken away bottom plan view thereof;

FIG. 3 is a broken away left side elevational view thereof, the right side elevation being a mirror image; and,

FIG. 4 is a cross-sectional view thereof showing the uniform cross-sectional shape of the section of the housing illustrated in FIGS. 1–3.

FIGS. 1–3 are broken away to indicate indeterminate length.

1 Claim, 2 Drawing Sheets



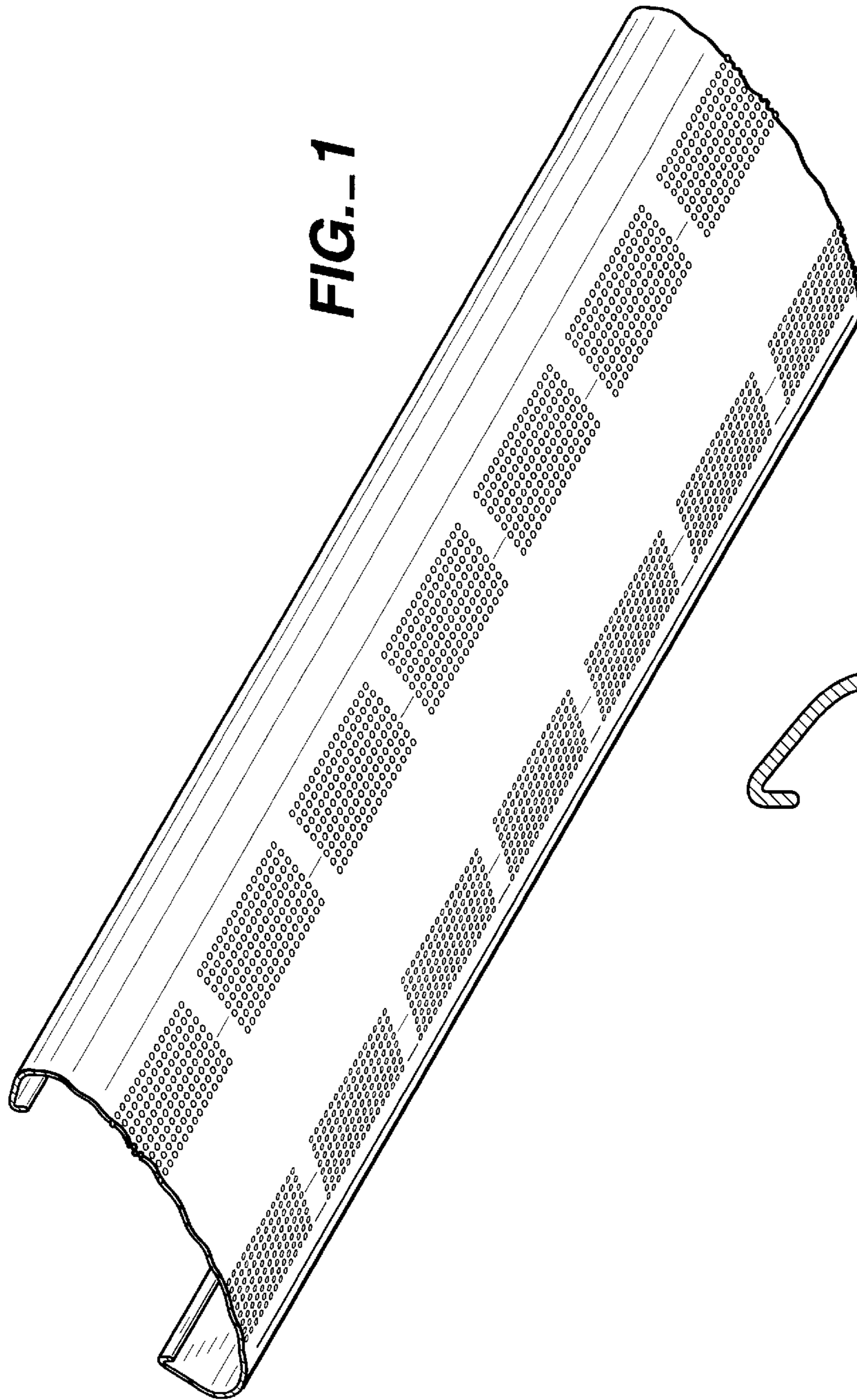


FIG. 1

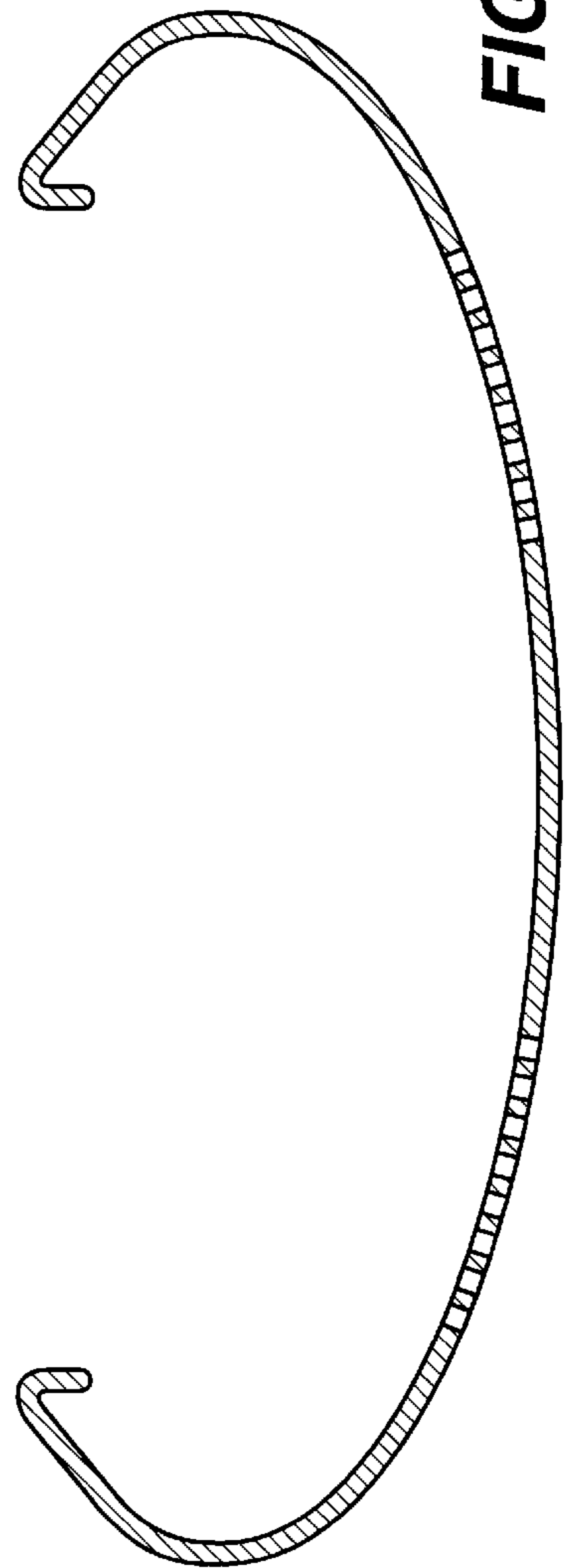


FIG. 4

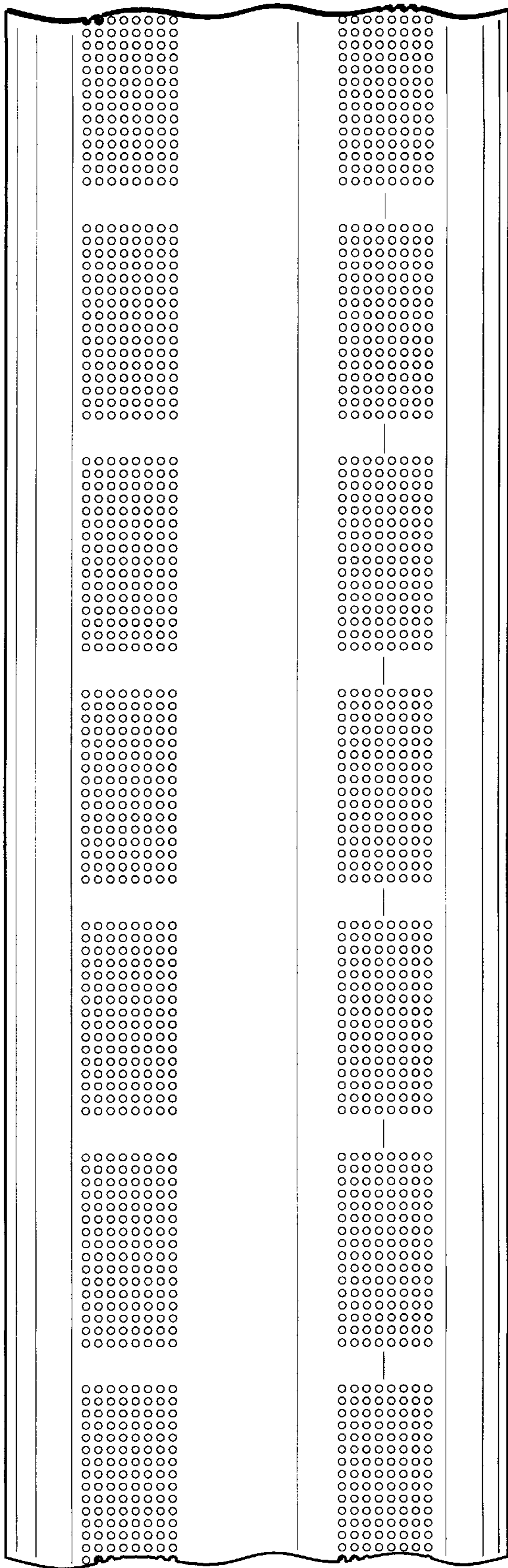


FIG. 2

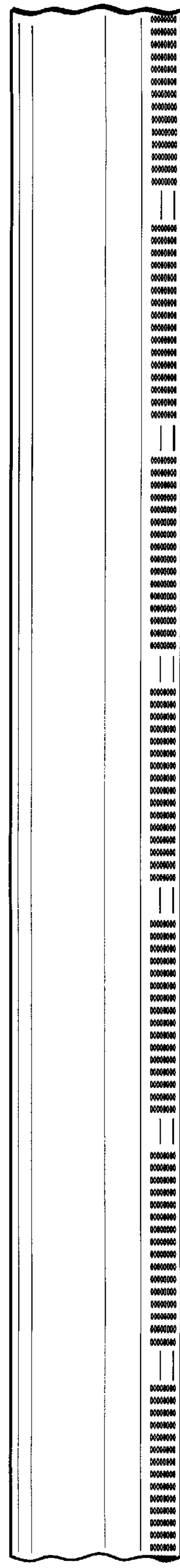


FIG. 3