



US00D418625S

**United States Patent** [19]  
**Dolan**

[11] **Patent Number: Des. 418,625**  
[45] **Date of Patent: \*\* Jan. 4, 2000**

[54] **PENDANT LIGHTING FIXTURE**

OTHER PUBLICATIONS

[76] Inventor: **Patrick S. Dolan**, 1901 NW. Upshur,  
Portland, Oreg. 97209

Corbett lighting catalog, p. 85, hanging lamp #4554, top,  
left, Aug. 1995.

[\*\*] Term: **14 Years**

*Primary Examiner*—Susan J. Lucas

[21] Appl. No.: **29/090,127**

[57] **CLAIM**

[22] Filed: **Jun. 29, 1998**

The ornamental design for a pendant lighting fixture, as  
shown and described.

[51] **LOC (7) Cl.** ..... **26-05**

**DESCRIPTION**

[52] **U.S. Cl.** ..... **D26/88**

[58] **Field of Search** ..... D26/72, 80-92;  
362/147, 432, 404, 405, 406, 407, 408

FIG. 1 is an elevational view thereof;  
FIG. 2 is a second elevational view thereof as seen from the  
side of FIG. 1;

[56] **References Cited**

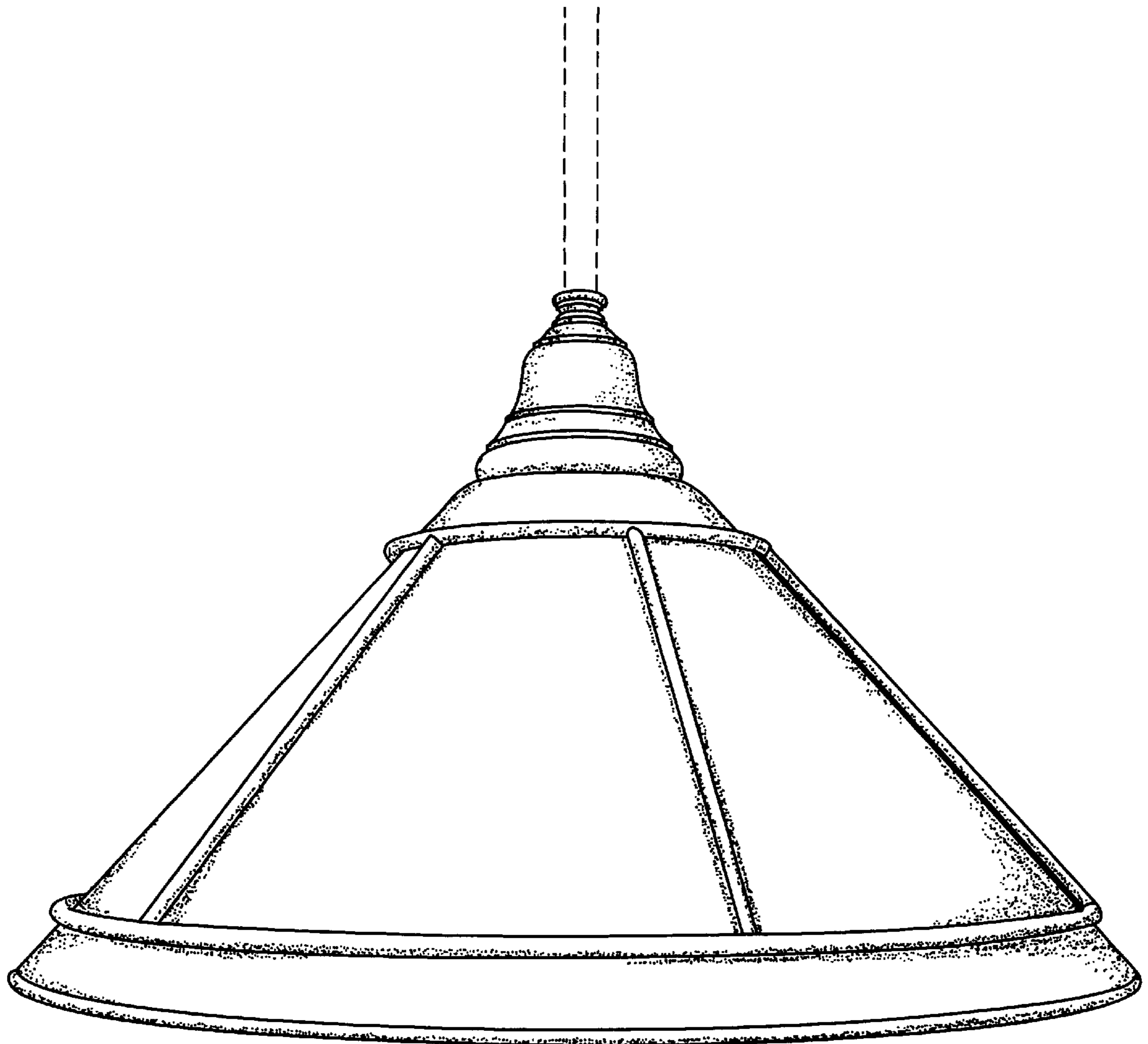
FIG. 3 is a top plan view thereof; and,  
FIG. 4 is a bottom plan view thereof.

**U.S. PATENT DOCUMENTS**

The broken line are shown for illustrative purposes only and  
form no part of the claimed design.

- D. 383,919 9/1997 Dolan ..... D26/136
- D. 409,788 5/1999 Dolan ..... D26/84

**1 Claim, 4 Drawing Sheets**



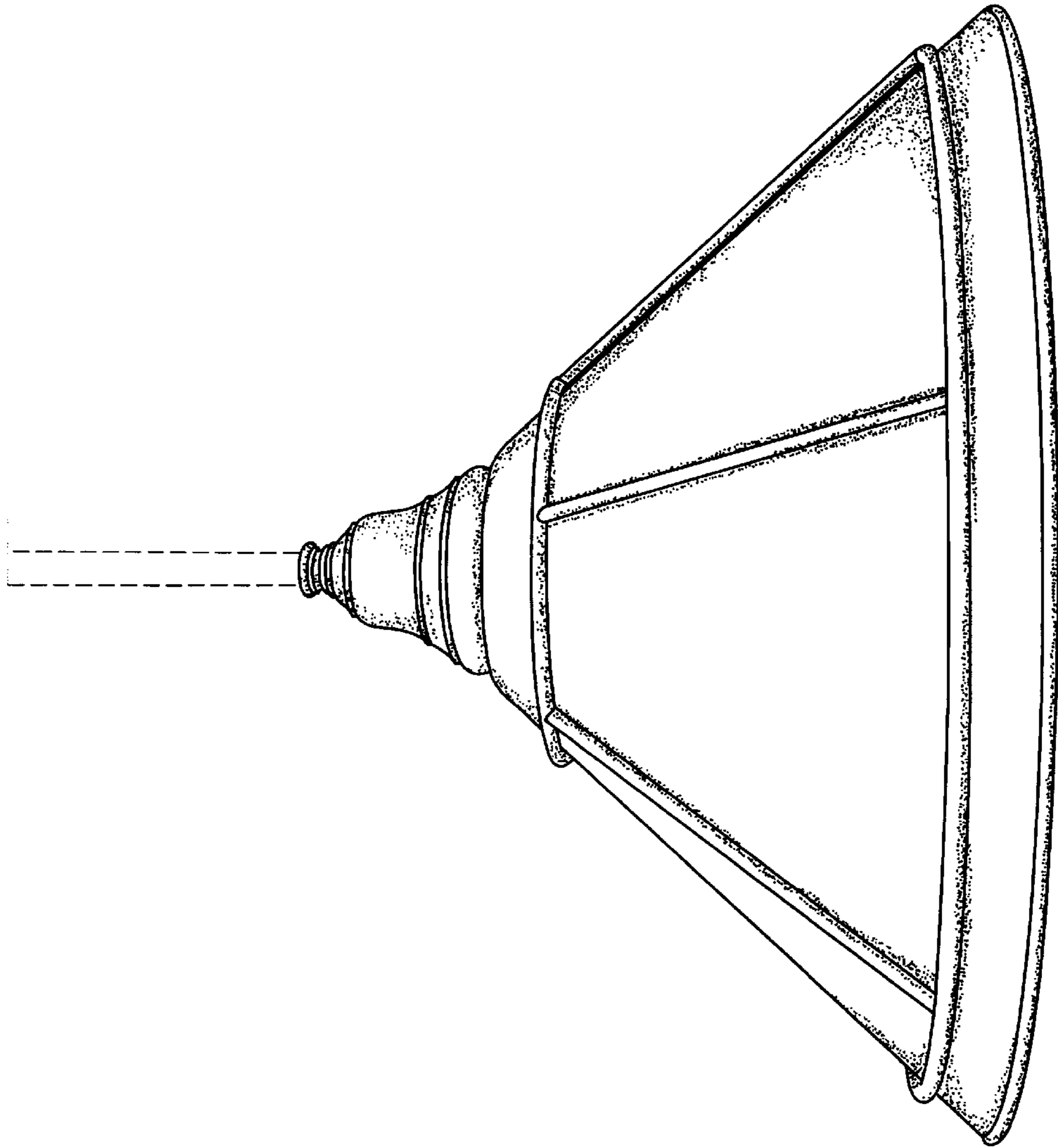


FIG. 1

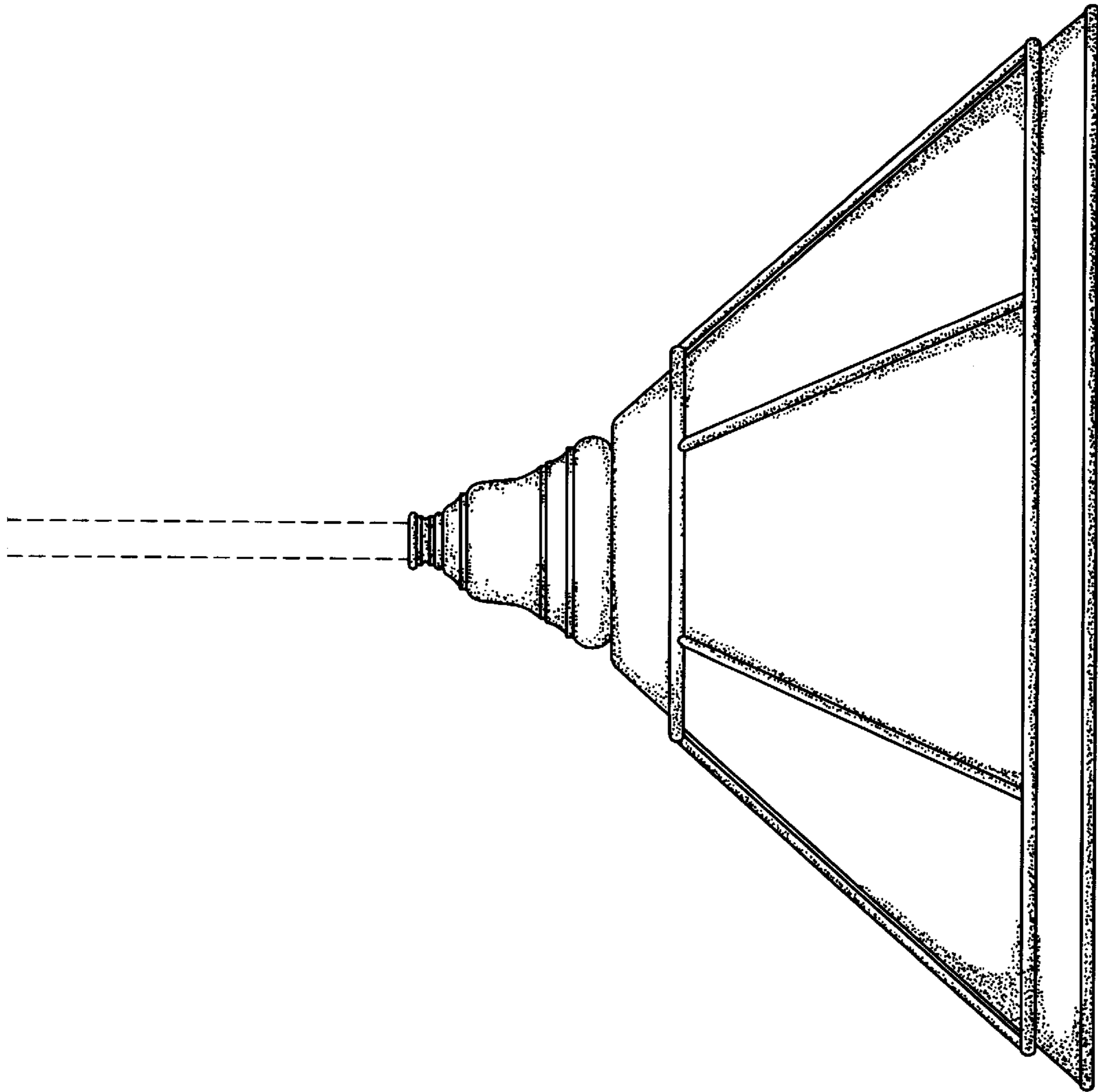


FIG. 2

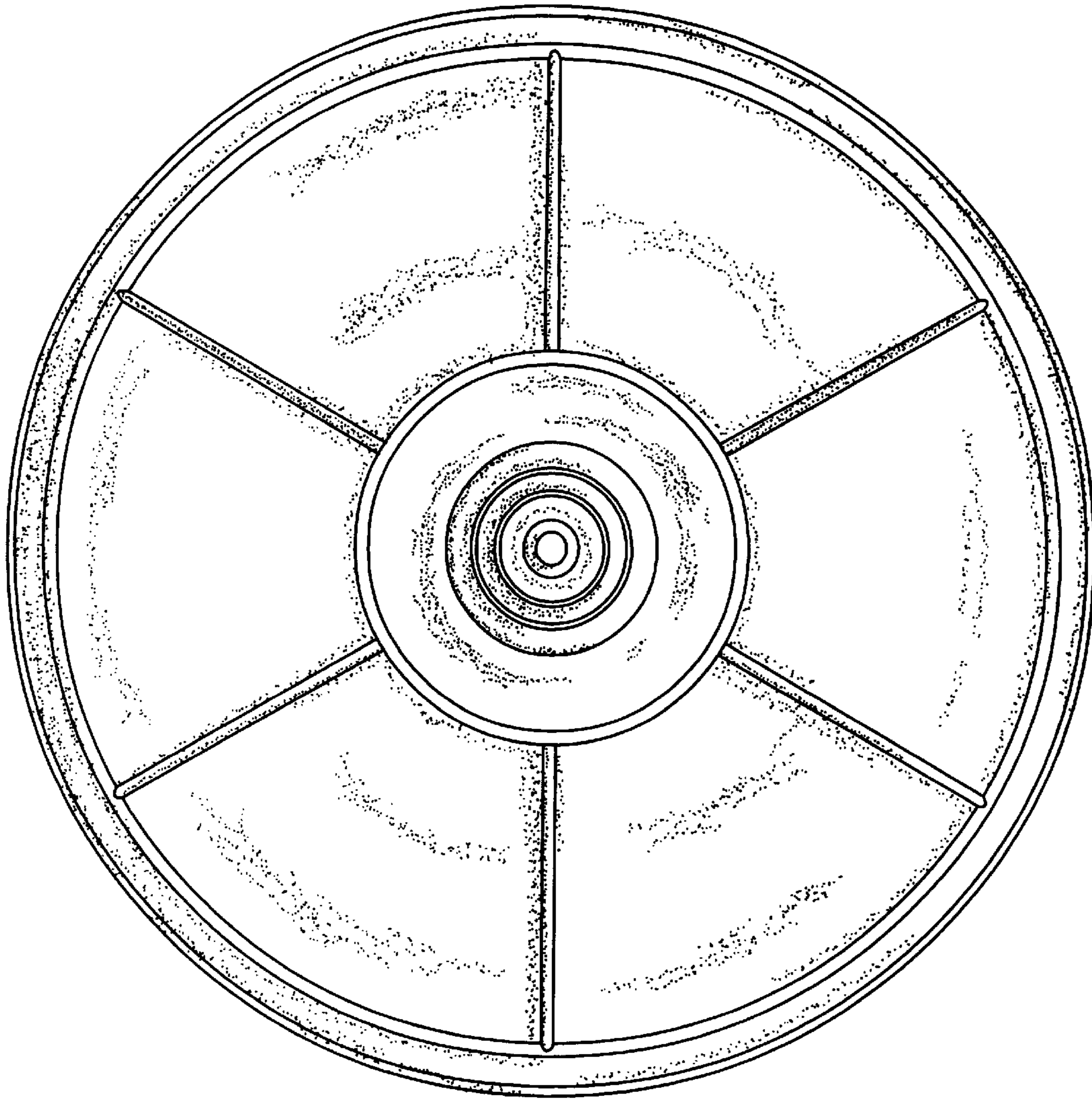


FIG. 3

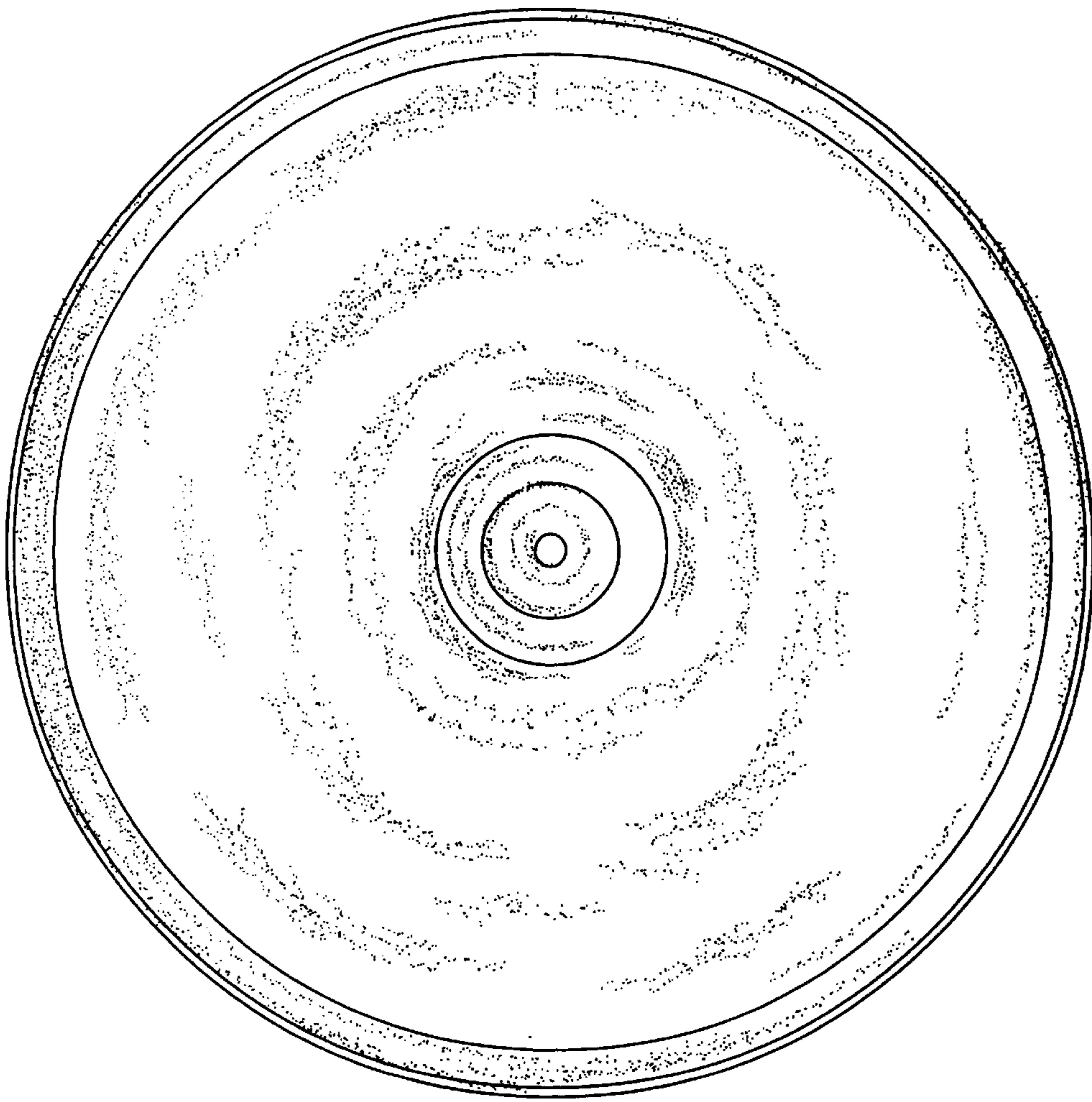


FIG. 4