



US00D418624S

United States Patent [19] Vanderbyl

[11] **Patent Number: Des. 418,624**
[45] **Date of Patent: ** Jan. 4, 2000**

[54] **WALL SCONCE WITH RIGHT-ANGLED
ARM**

[75] Inventor: **Michael Vanderbyl**, Piedmont, Calif.

[73] Assignee: **Boyd Lighting Company**, San Francisco, Calif.

[**] Term: **14 Years**

[21] Appl. No.: **29/096,731**

[22] Filed: **Nov. 19, 1998**

[51] **LOC (7) Cl.** **26-05**

[52] **U.S. Cl.** **D26/87**

[58] **Field of Search** D26/85, 87, 92;
362/147, 432

[56] **References Cited**

U.S. PATENT DOCUMENTS

D. 394,125 5/1998 Barry D26/87
2,806,941 9/1957 Graziani 362/432

OTHER PUBLICATIONS

Pin-Ups lighting catalog, p. 19, wall bracket #7043, May 1953.

Primary Examiner—Susan J. Lucas
Attorney, Agent, or Firm—Jack Lo

[57] **CLAIM**

The ornamental design for a wall sconce with right-angled arm, as shown and described.

DESCRIPTION

FIG. 1 is a front perspective view of a wall sconce with right-angled arm showing my new design.

FIG. 2 is a side view thereof; the opposite side view is a mirror image.

FIG. 3 is a front view thereof.

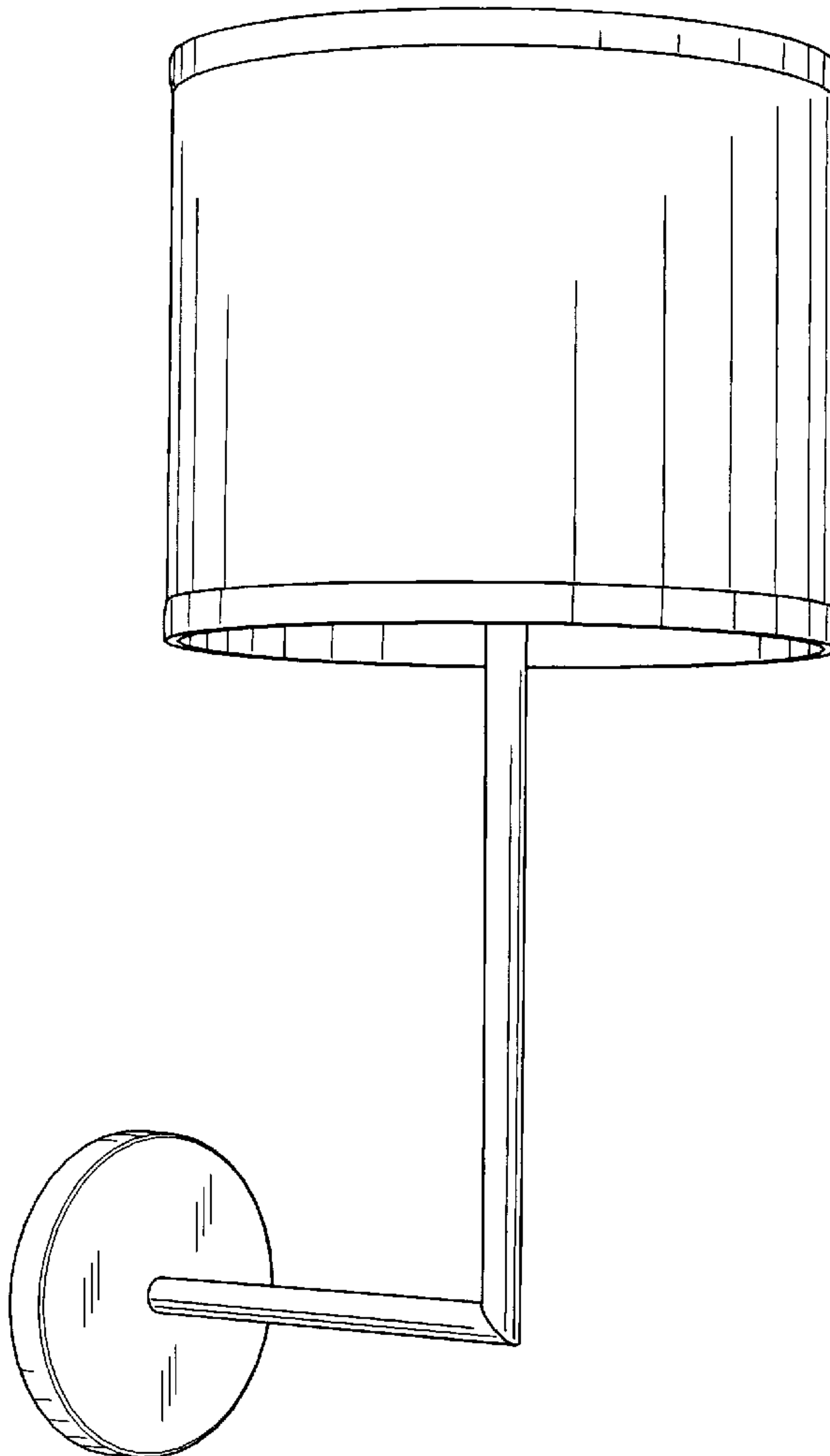
FIG. 4 is a rear view thereof.

FIG. 5 is a top view thereof; and,

FIG. 6 is a bottom view thereof.

The broken lines are shown for illustrative purposes and form no part of the claimed design.

1 Claim, 3 Drawing Sheets



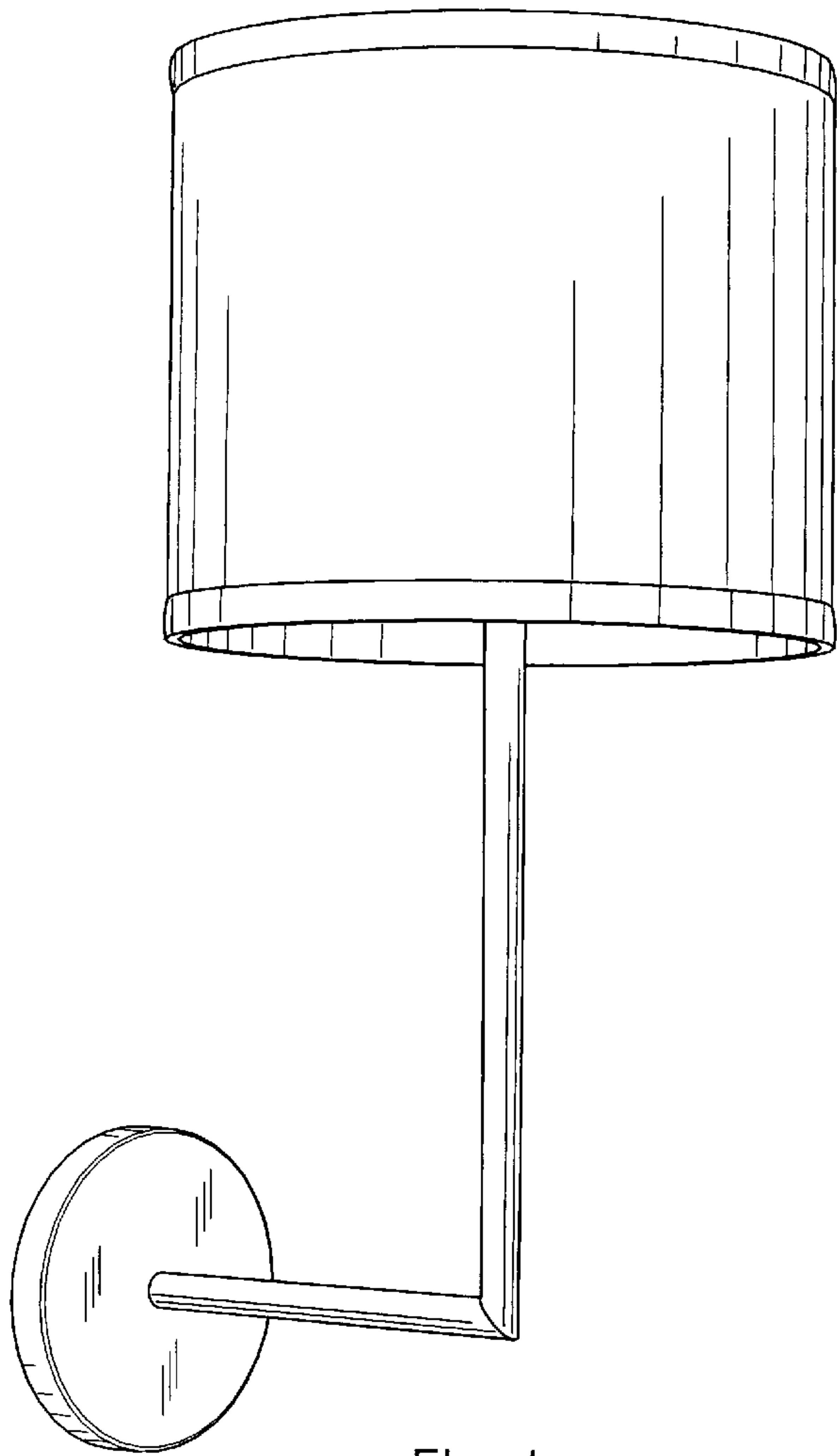


Fig. 1

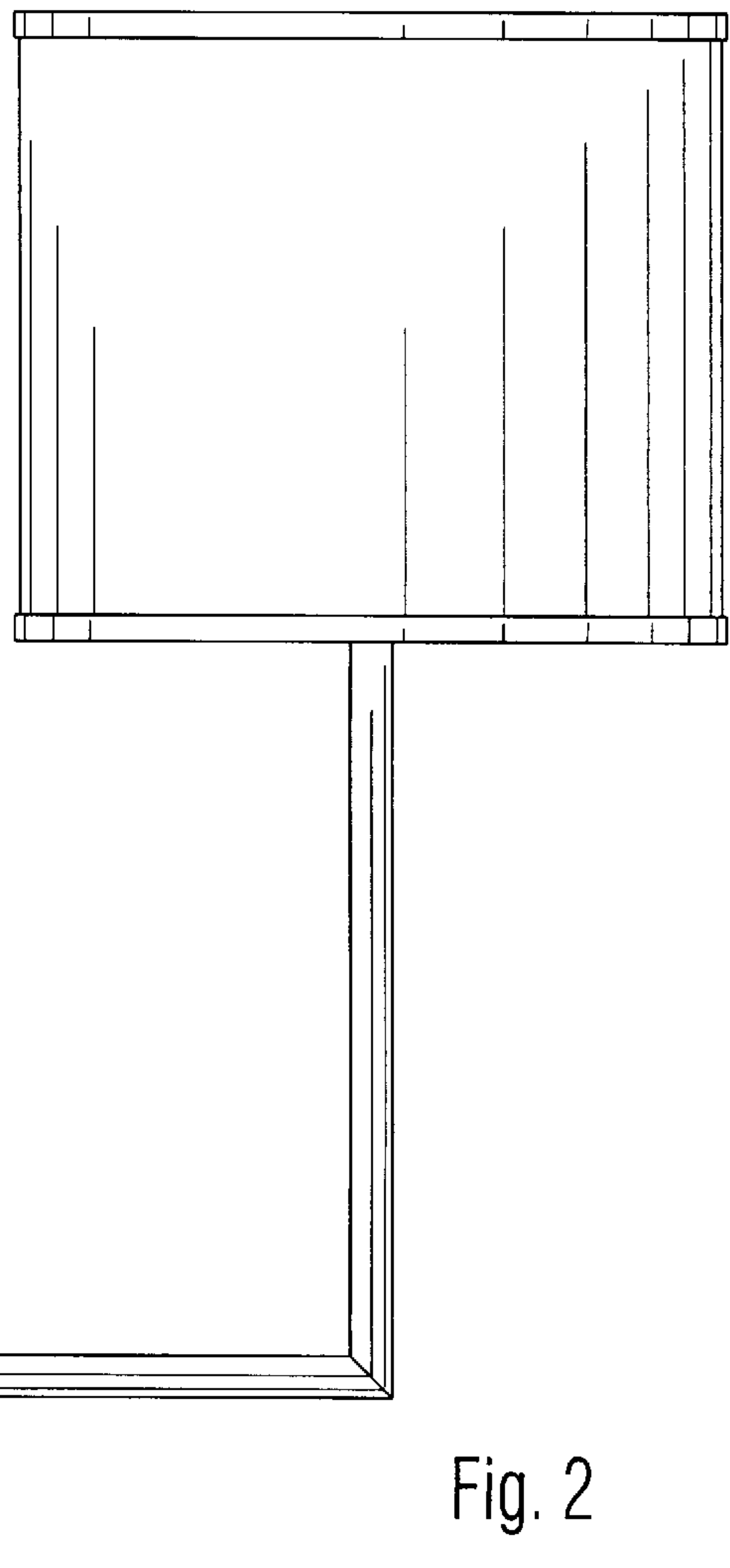


Fig. 2

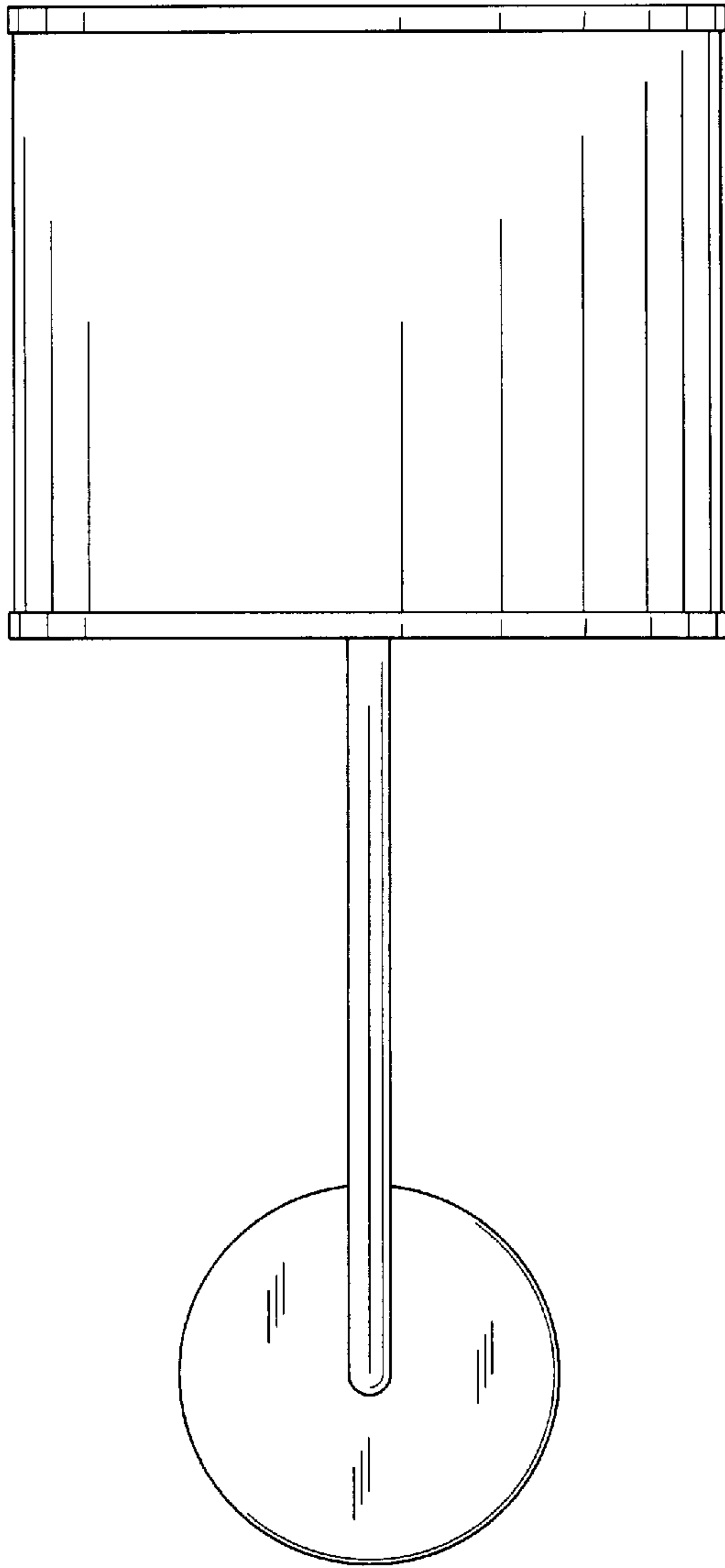


Fig. 3

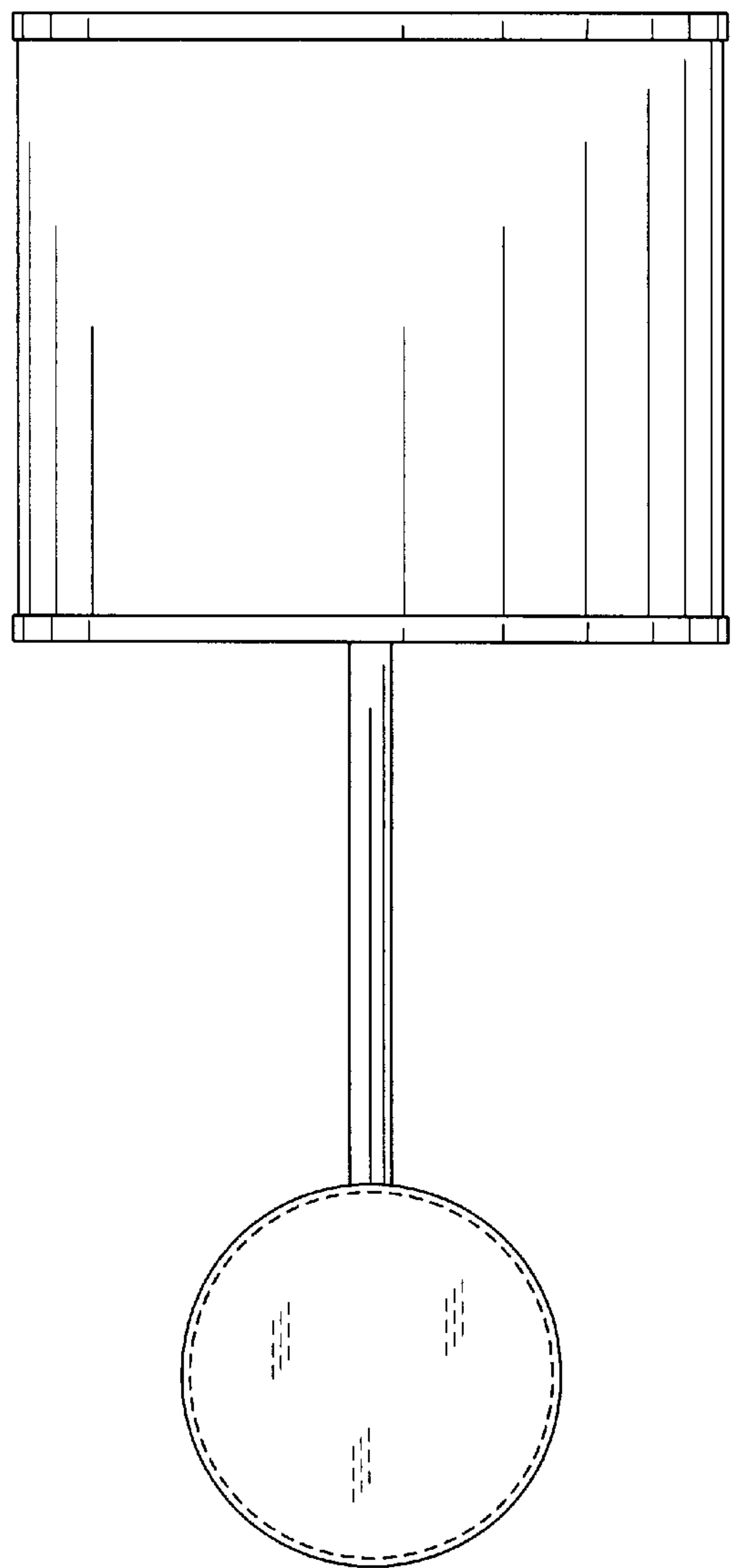


Fig. 4

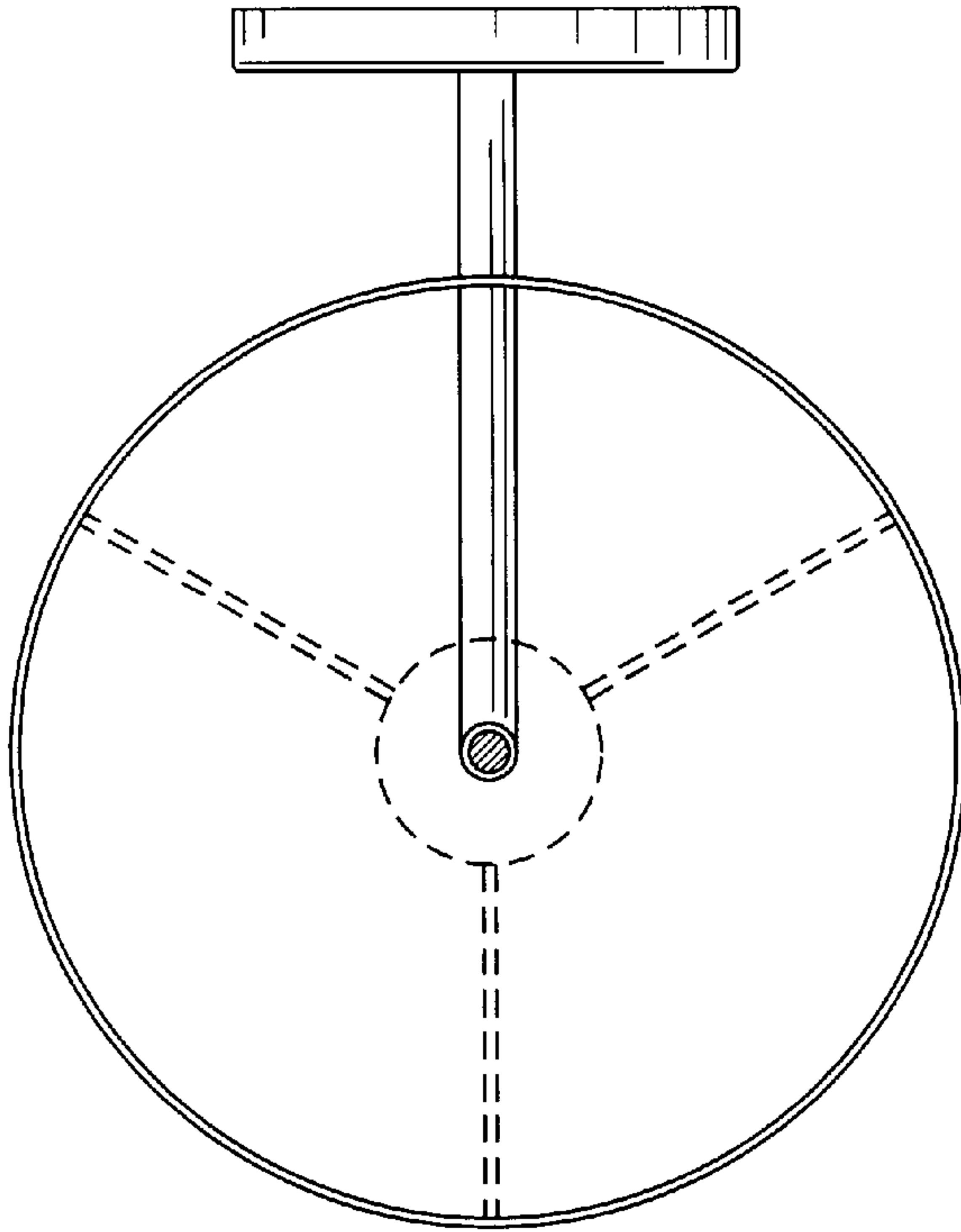


Fig. 5

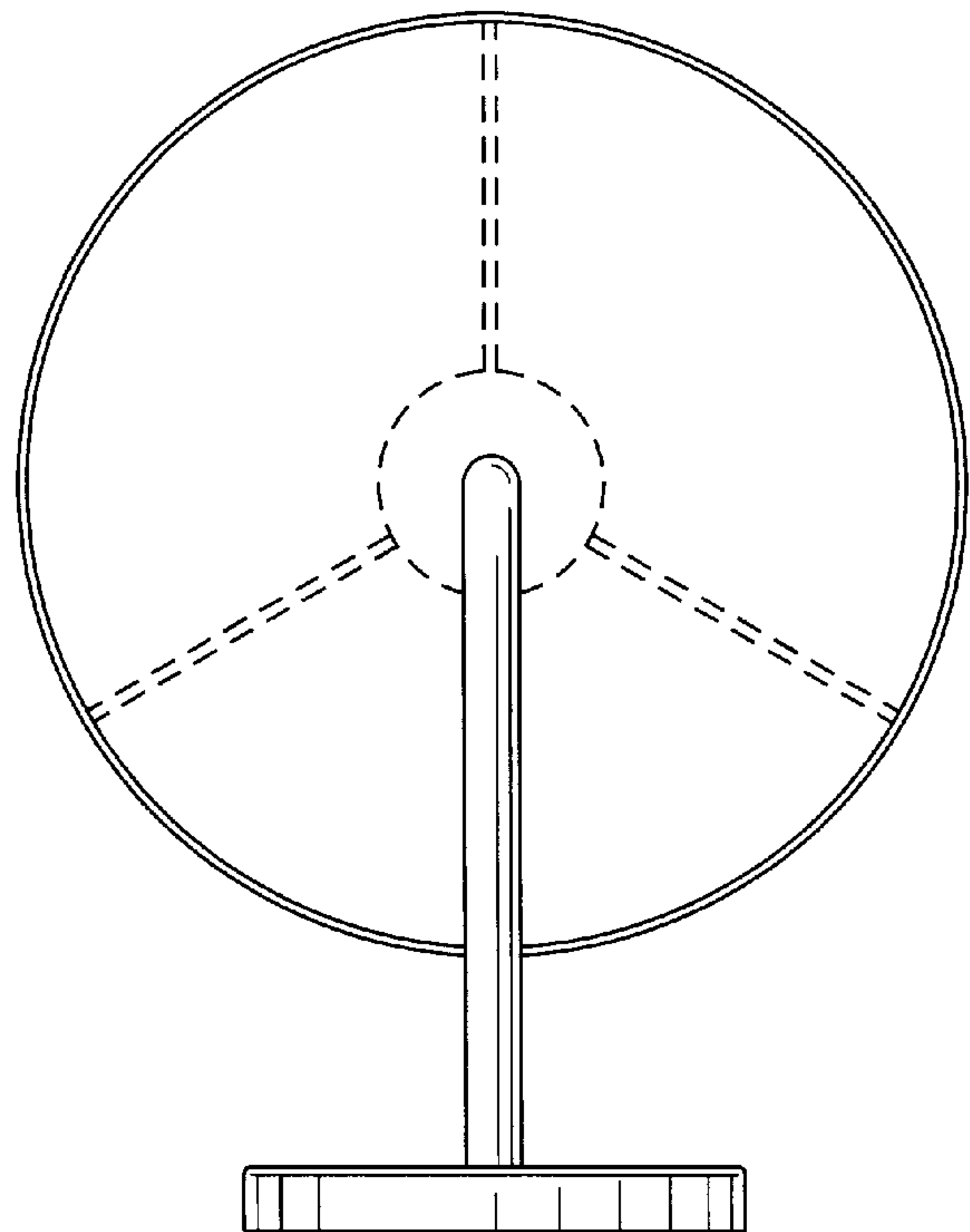


Fig. 6