



US00D418621S

# United States Patent [19]

[11] **Patent Number: Des. 418,621**

**Dolan**

[45] **Date of Patent: \*\* Jan. 4, 2000**

[54] **CHANDELIER**

*Primary Examiner*—Susan J. Lucas

[76] Inventor: **Patrick S. Dolan**, 1901 NW. Upshur,  
Portland, Oreg. 97209

[57] **CLAIM**

The ornamental design for a chandelier, as shown and described.

[\*\*] Term: **14 Years**

### DESCRIPTION

[21] Appl. No.: **29/072,848**

FIG. 1 is a perspective view thereof;

[22] Filed: **Jun. 24, 1997**

FIG. 2 is a elevational view thereof as seen from the side of FIG. 1 ;

[51] **LOC (7) Cl.** ..... **26-05**

[52] **U.S. Cl.** ..... **D26/84**

[58] **Field of Search** ..... D26/72, 80-92;  
362/147, 432, 404, 405, 406, 407, 408

FIG. 3 is a top plan view thereof; and,

FIG. 4 is a bottom plan view thereof.

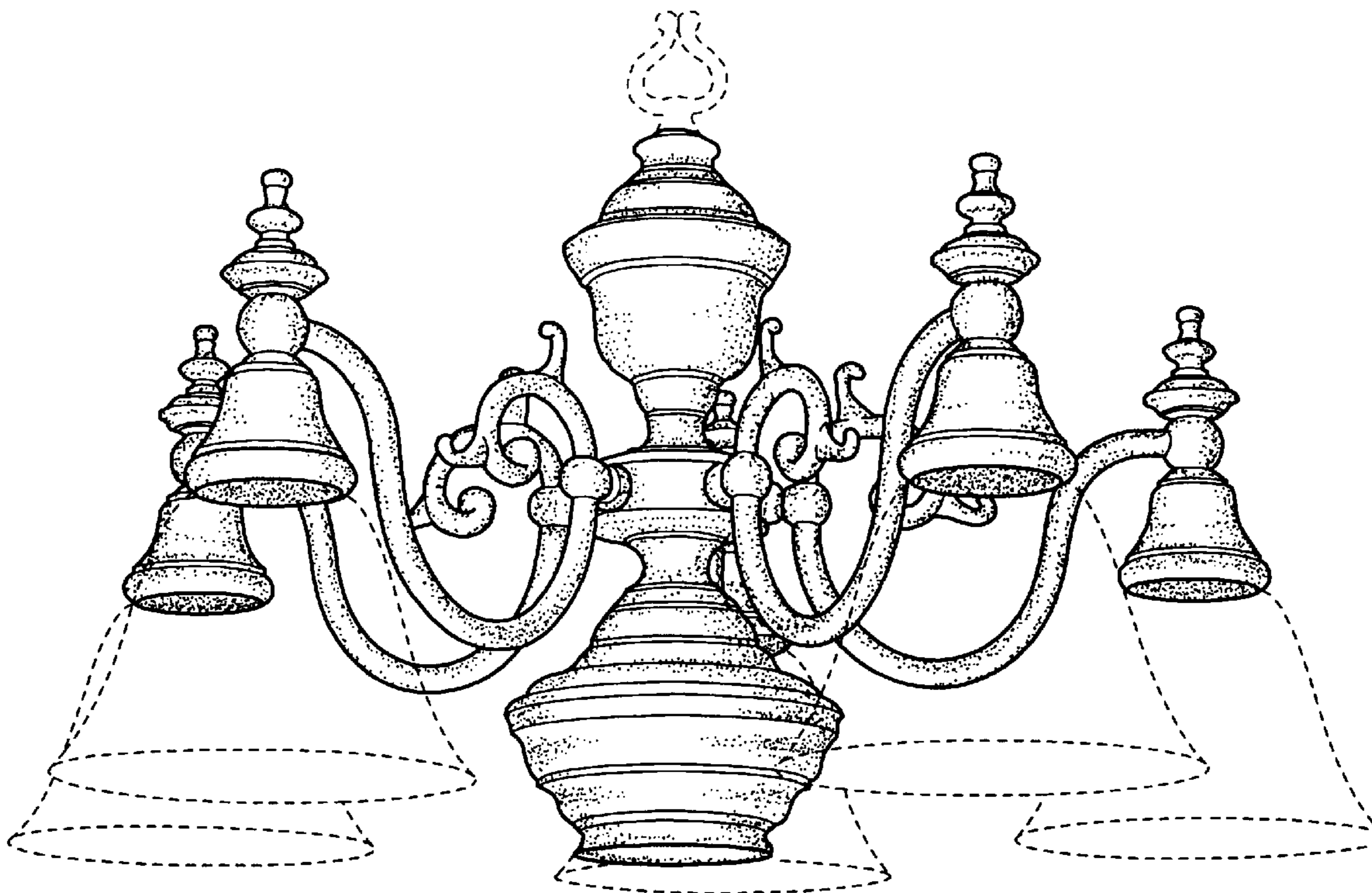
The broken line are shown for illustrative purposes only and form no part of the claimed design.

[56] **References Cited**

#### U.S. PATENT DOCUMENTS

D. 368,788 4/1996 Dolan ..... D26/81

**1 Claim, 4 Drawing Sheets**



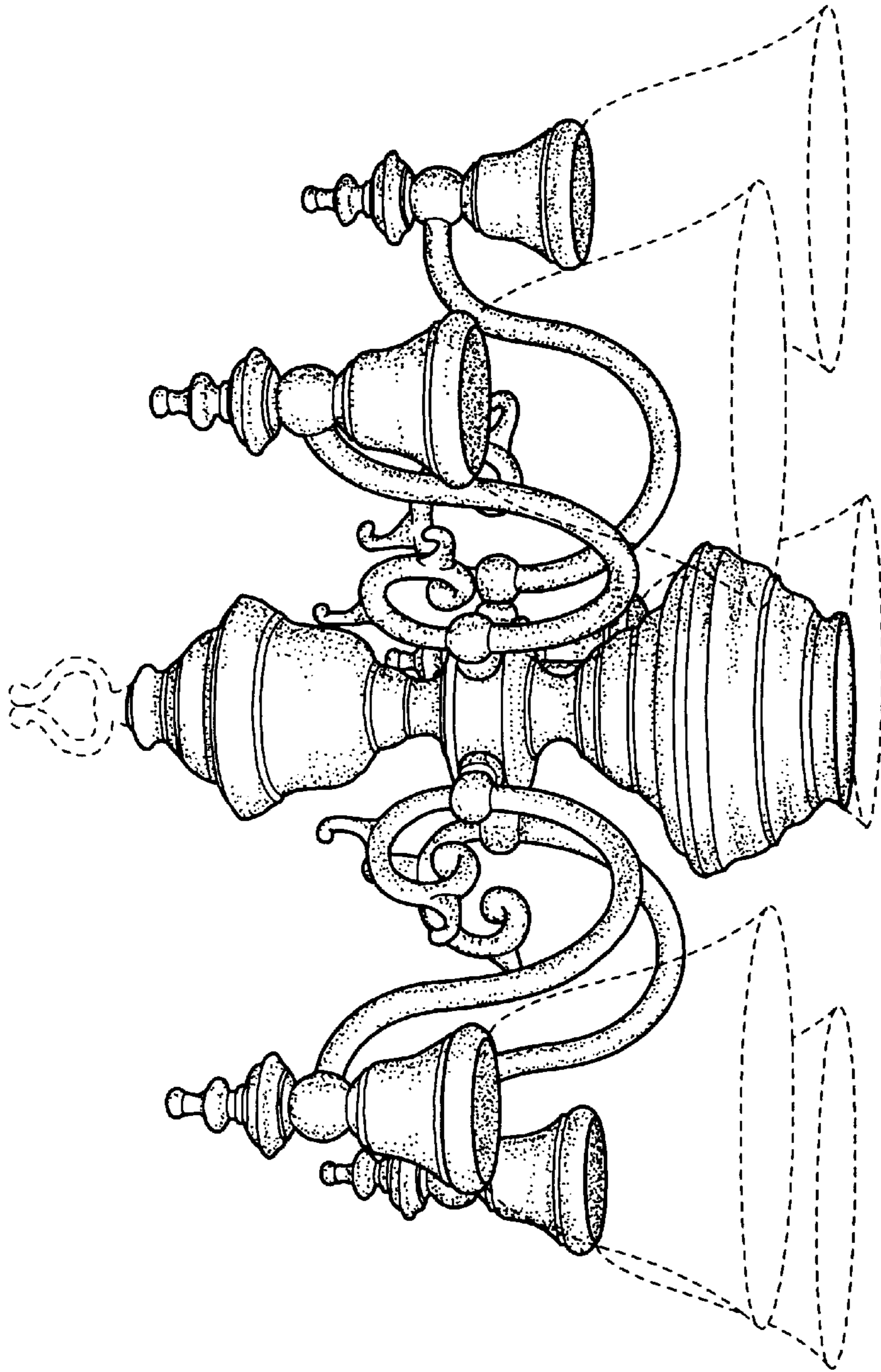


Fig. 1

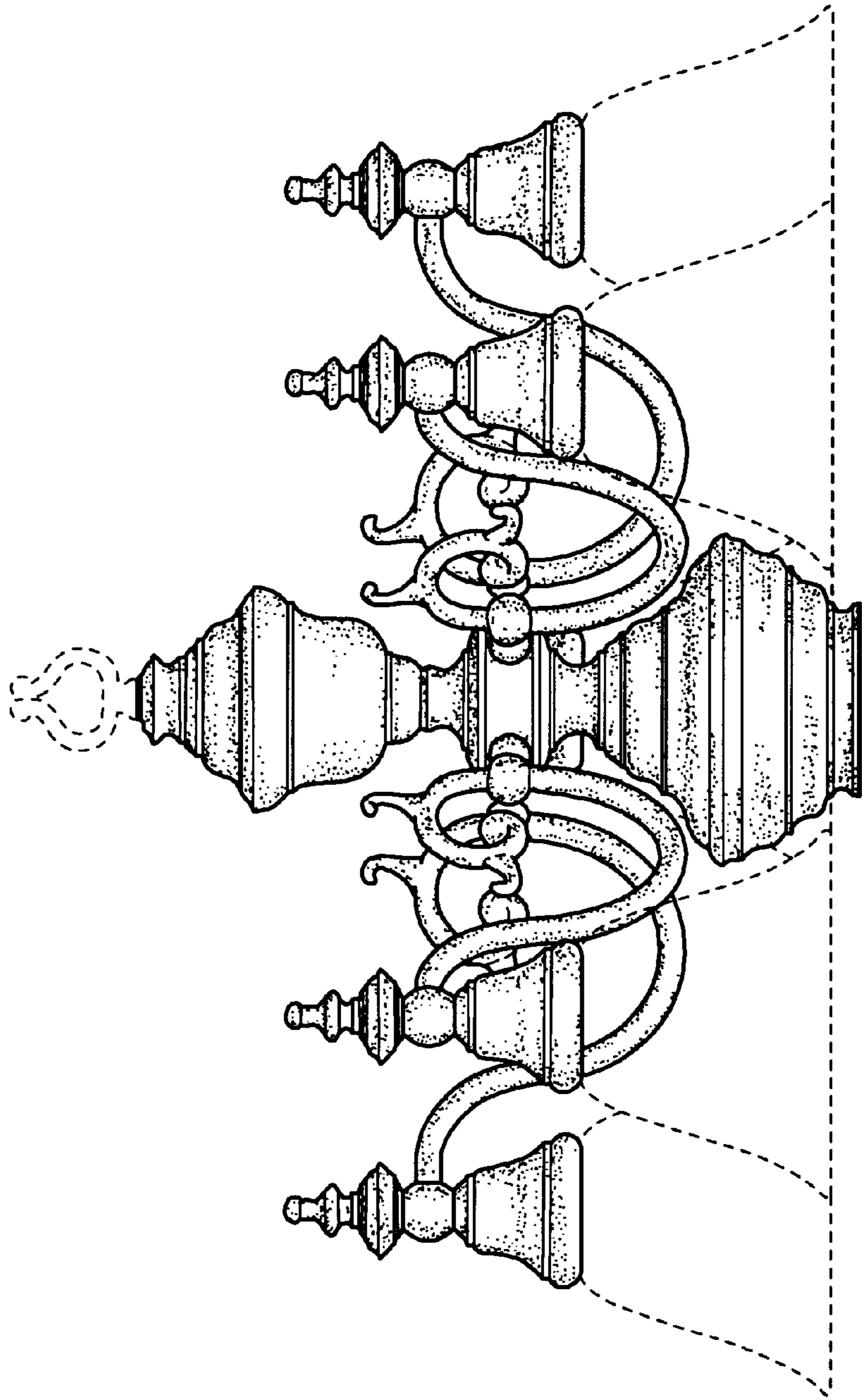


Fig. 2

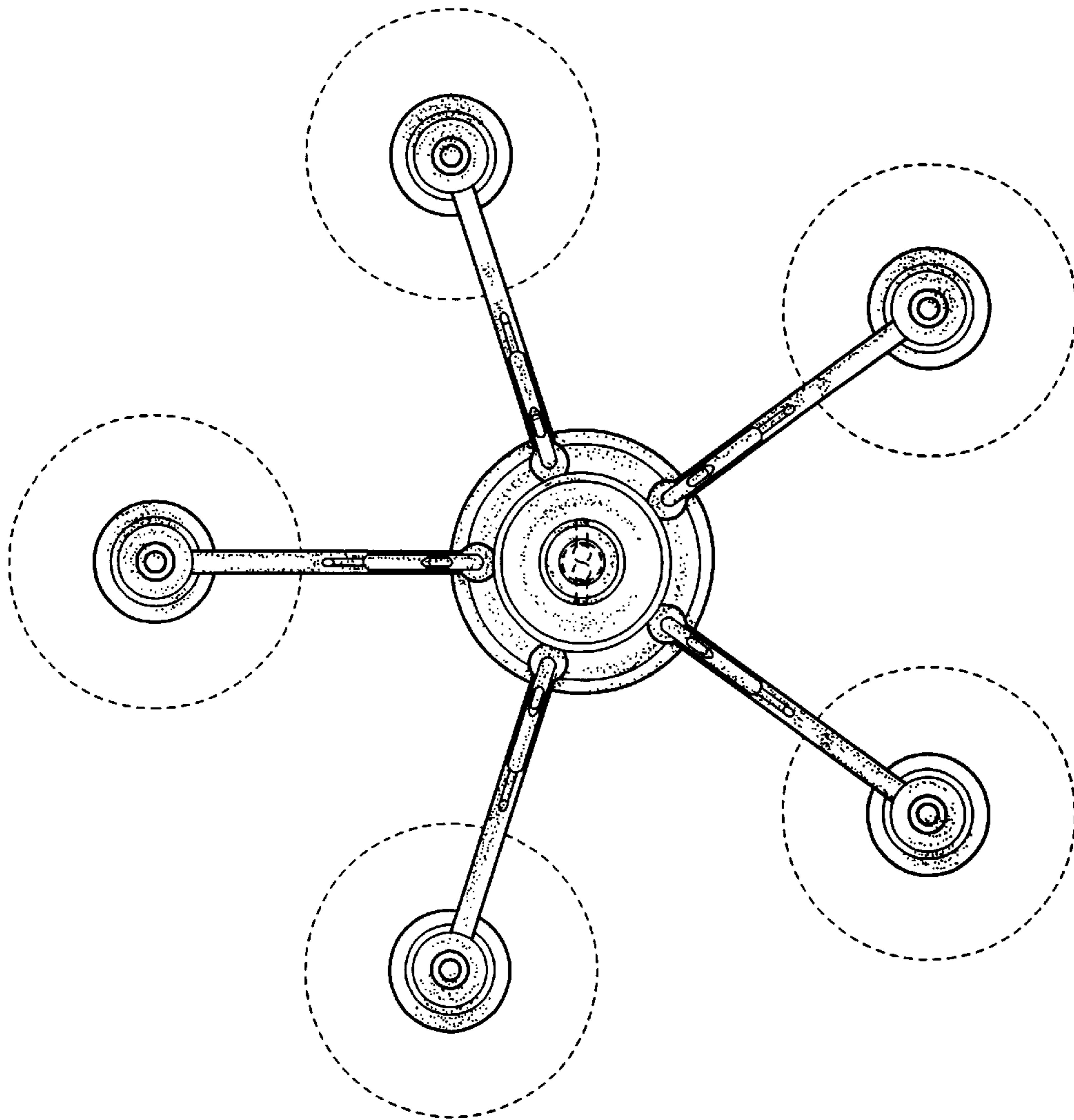


Fig. 3

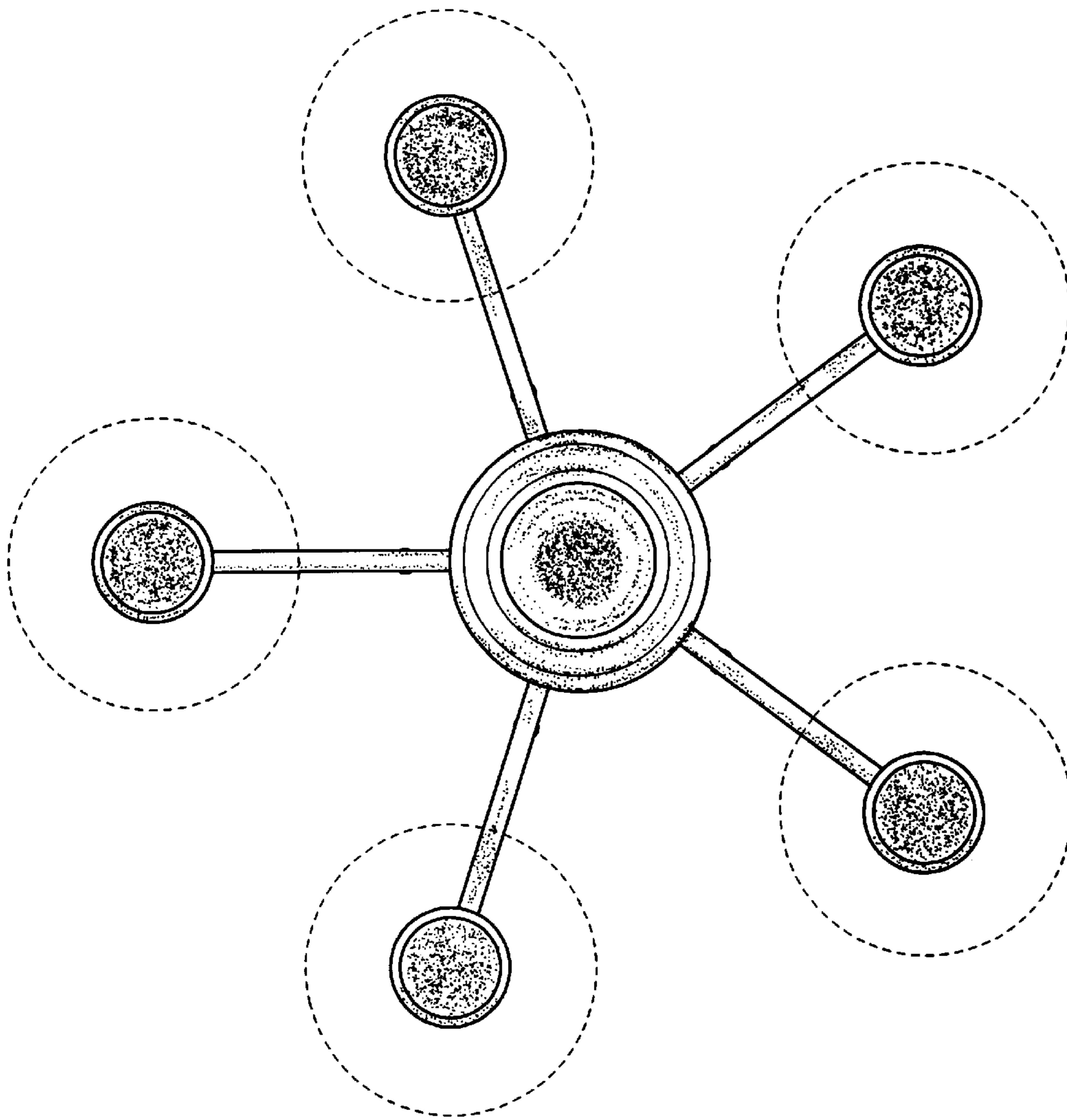


Fig. 4