



US00D418618S

**United States Patent** [19]  
**Shuenn-Fa**

[11] **Patent Number: Des. 418,618**  
[45] **Date of Patent: \*\* Jan. 4, 2000**

[54] **LIGHTING INSTALLATION**

3,783,264 1/1974 Hamilton et al. .... 362/283

[76] Inventor: **Jiang Shuenn-Fa**, P.O. Box 82-144,  
Taipei, Taiwan

*Primary Examiner*—Freda Nunn  
*Attorney, Agent, or Firm*—A & J

[\*\*] Term: **14 Years**

[57] **CLAIM**

[21] Appl. No.: **29/098,697**

The ornamental design for a lighting installation, as shown and described.

[22] Filed: **Dec. 31, 1998**

**DESCRIPTION**

[51] **LOC (7) Cl.** ..... **26-05**

[52] **U.S. Cl.** ..... **D26/65; D26/66**

[58] **Field of Search** ..... D26/60-66; 362/269,  
362/274, 277, 285, 418, 419, 427, 283

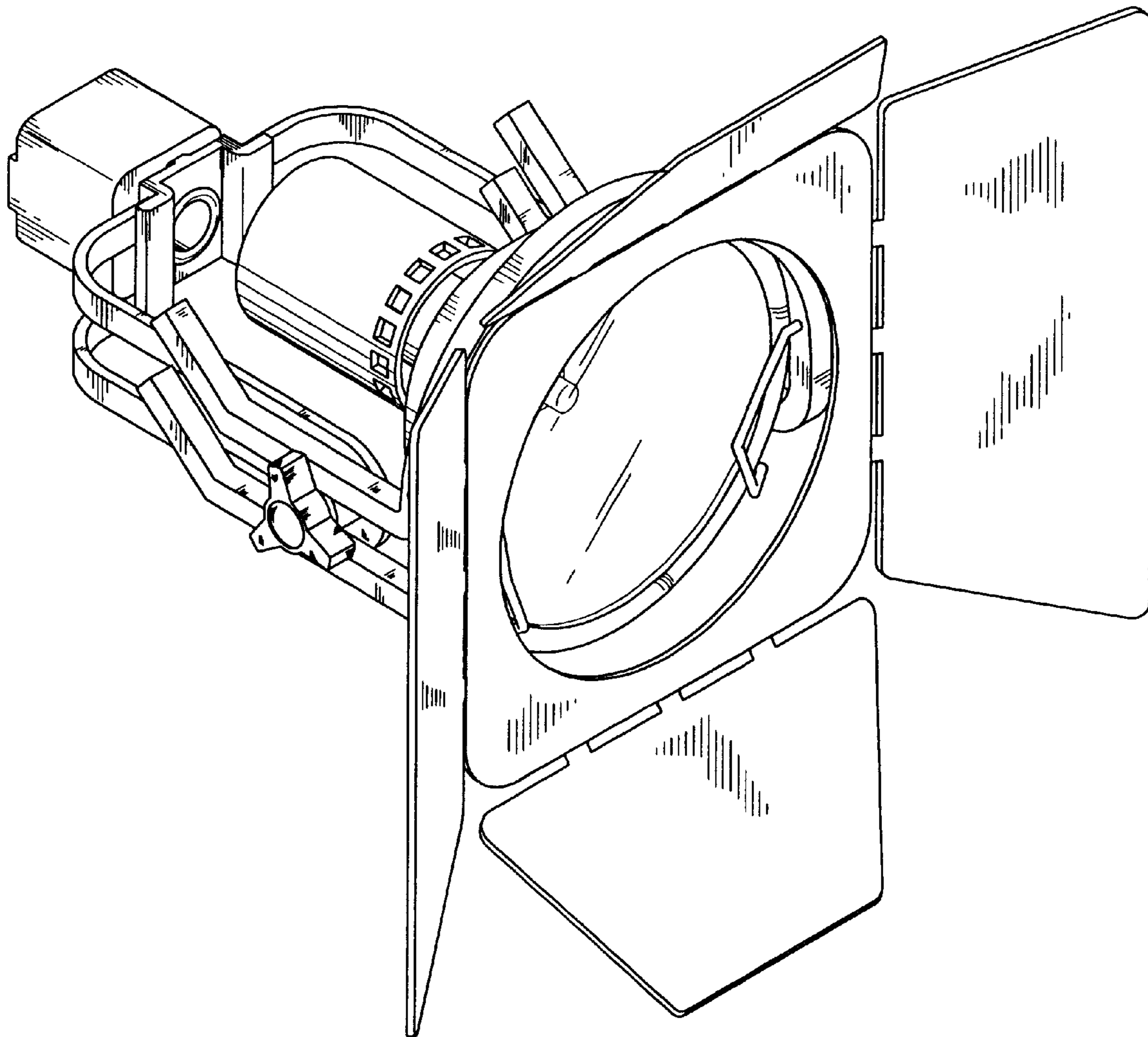
FIG. 1 is a perspective view of a lighting installation showing my new design  
FIG. 2 is a front view thereof;  
FIG. 3 is a rear view thereof;  
FIG. 4 is a right side elevational view thereof;  
FIG. 5 is a left side elevational view thereof;  
FIG. 6 is a top plan view thereof; and,  
FIG. 7 is a bottom plan view thereof.

[56] **References Cited**

**U.S. PATENT DOCUMENTS**

- D. 213,063 12/1968 Thornley et al. .... D26/65
- D. 246,677 12/1977 Nigg ..... D26/65
- 1,677,489 7/1928 Price ..... 362/419

**1 Claim, 4 Drawing Sheets**



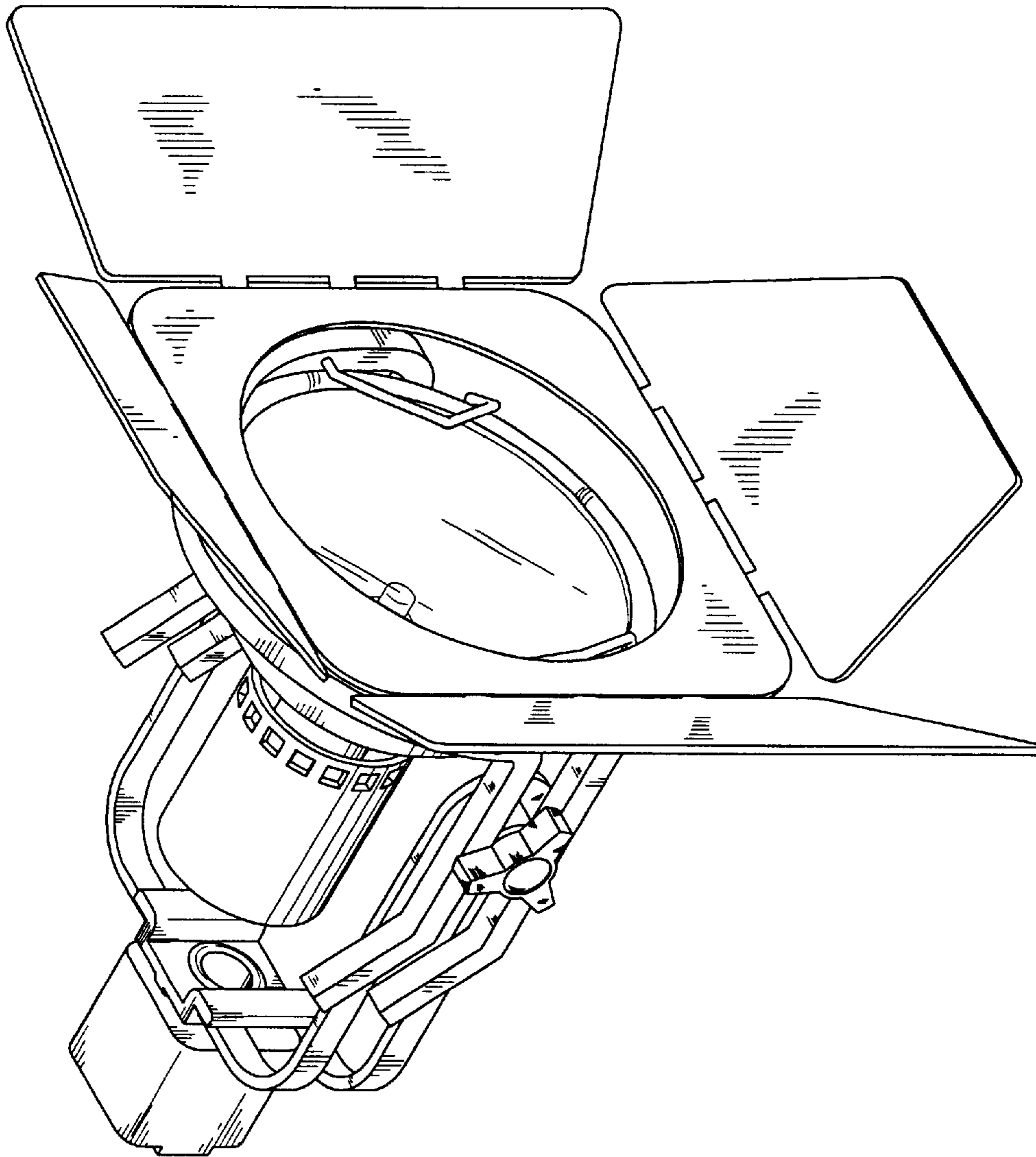


FIG. 1

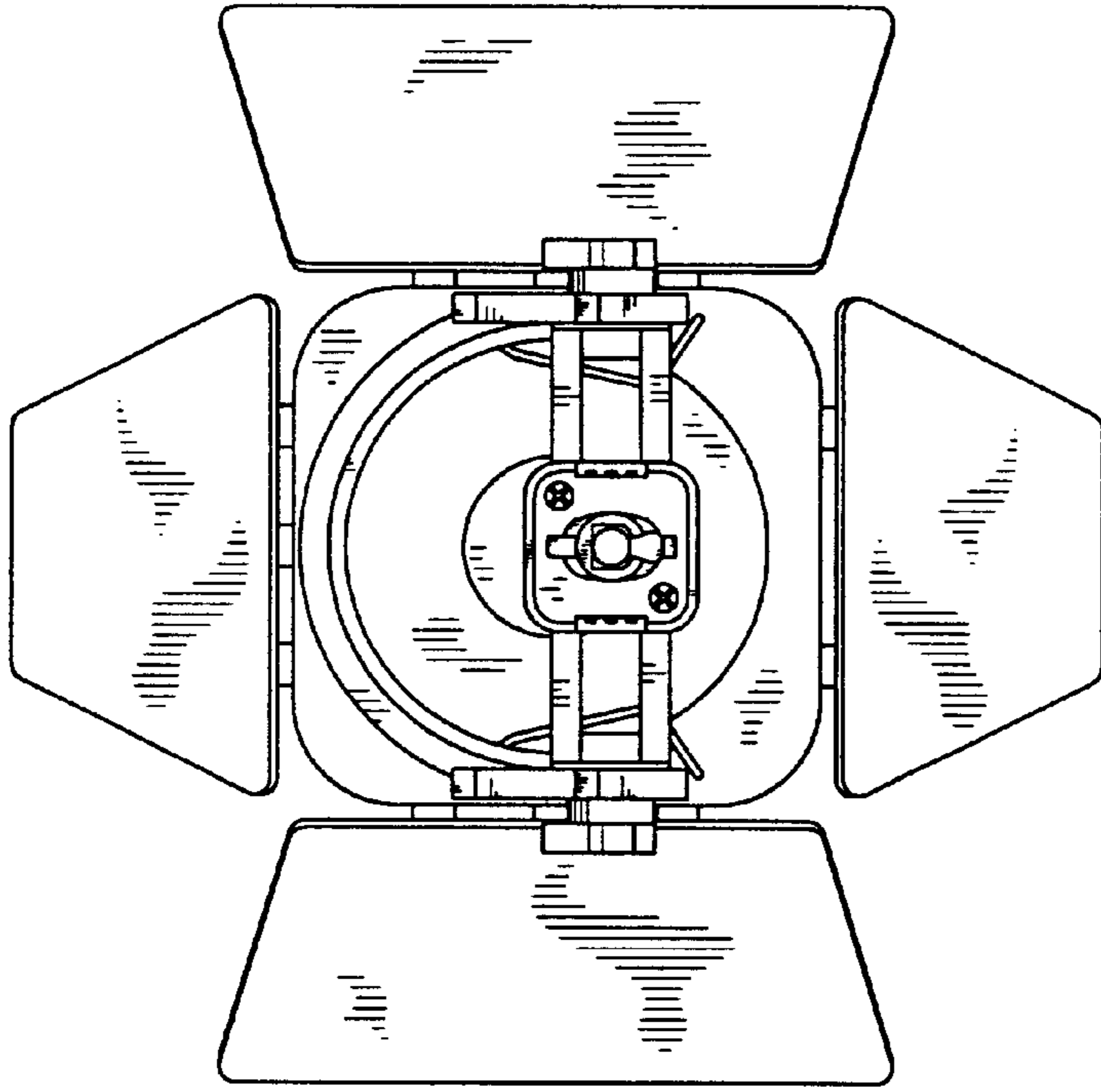


FIG. 3

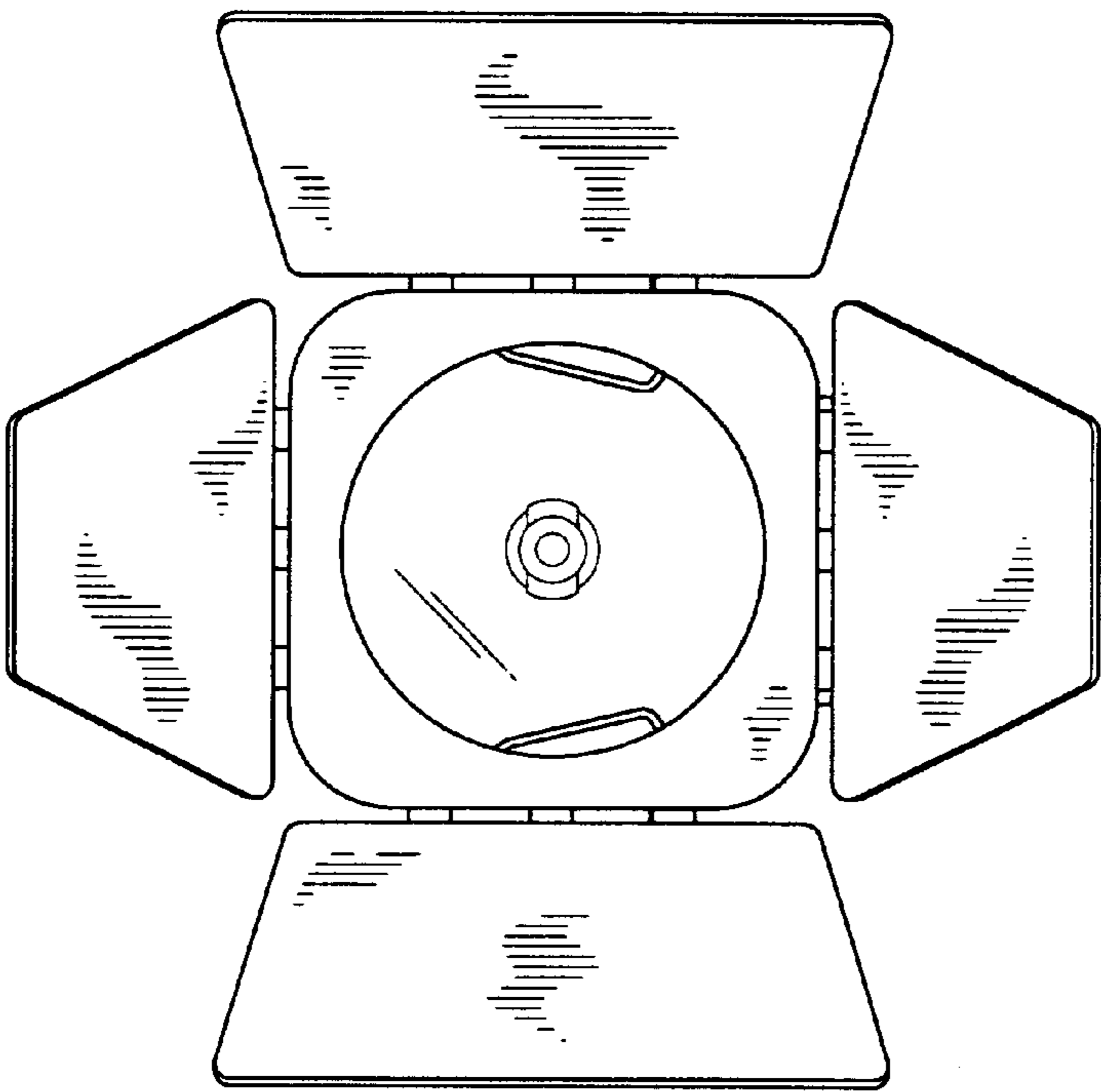


FIG. 2

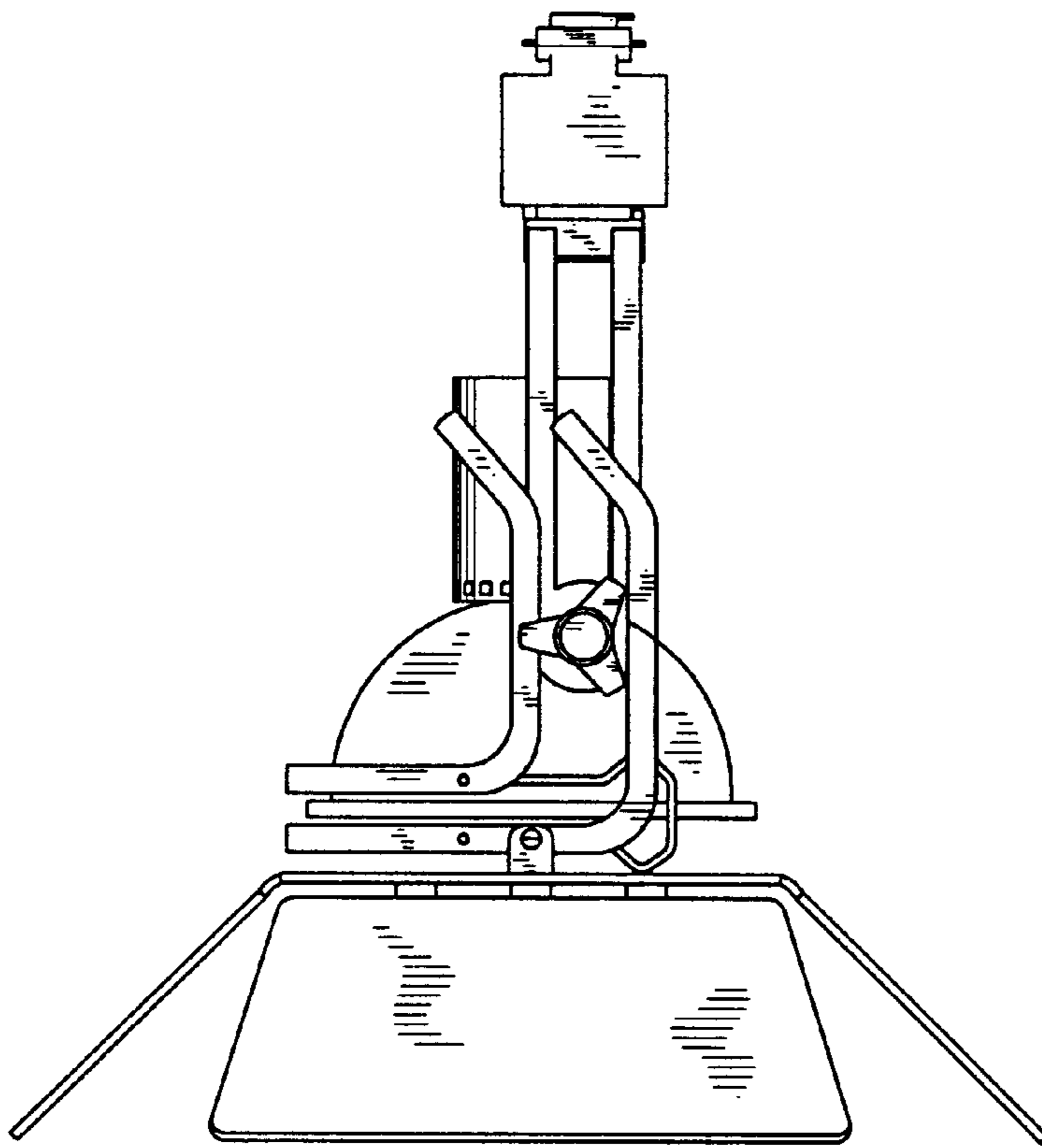


FIG. 5

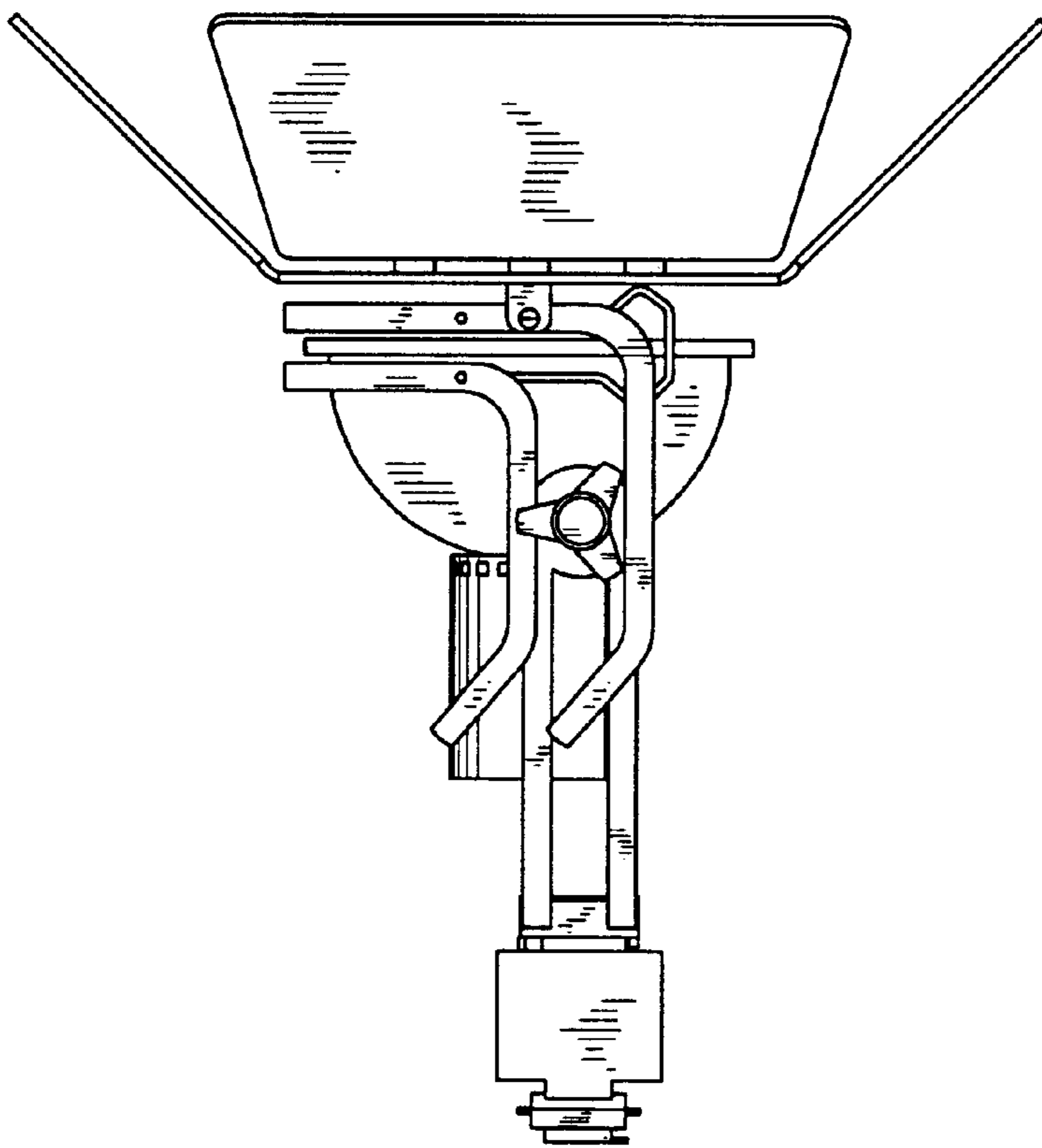


FIG. 4

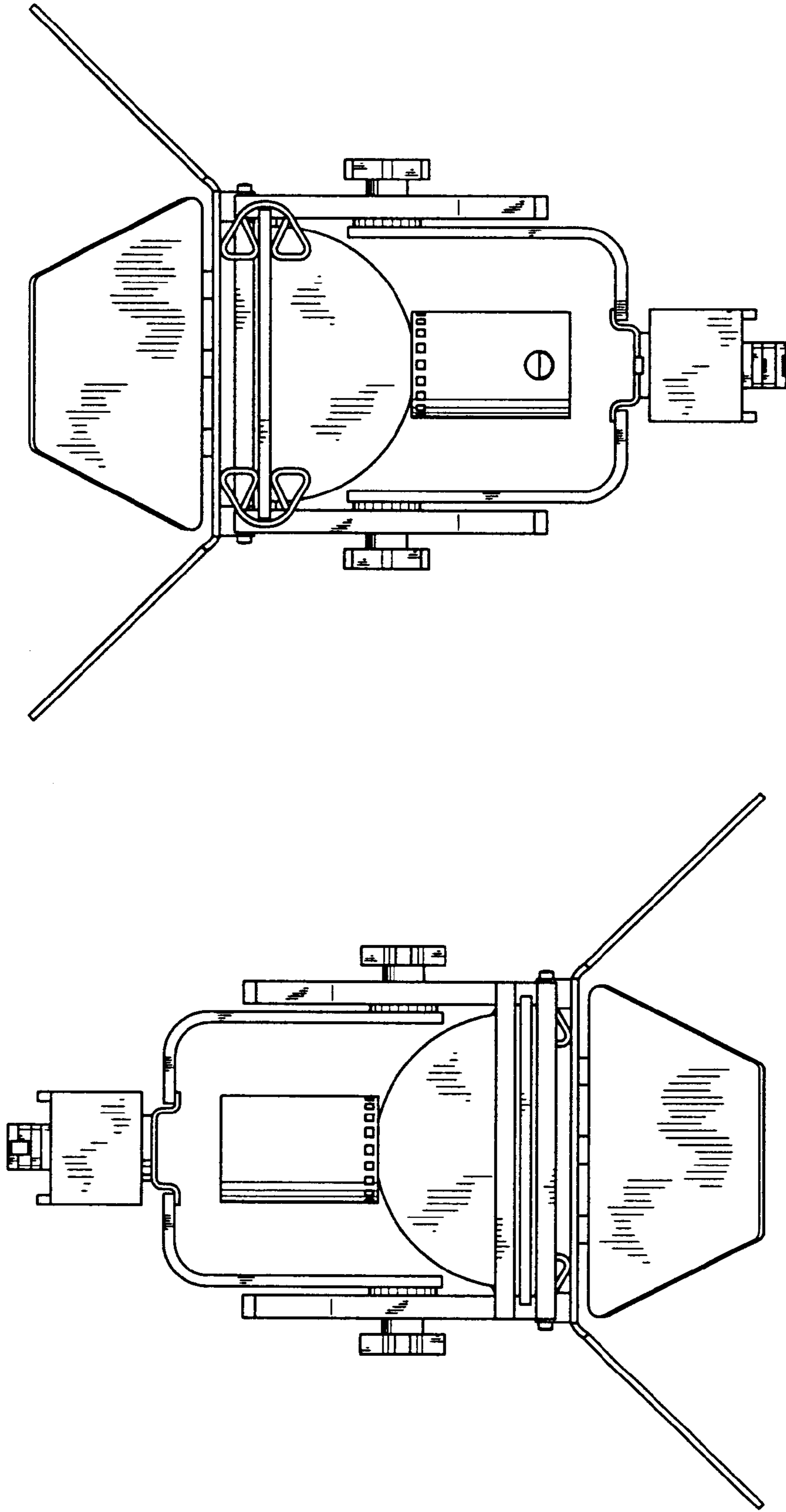


FIG. 7

FIG. 6