



US00D418615S

# United States Patent [19] DiGiorgio

[11] **Patent Number: Des. 418,615**  
[45] **Date of Patent: \*\* Jan. 4, 2000**

[54] **WINDOW OR DOOR FRAME COMPONENT**

D. 391,649 3/1998 Opielski et al. .... D25/124  
D. 402,058 12/1998 Leonelli ..... D25/124

[75] Inventor: **Tony DiGiorgio**, Woodbridge, Canada

[73] Assignee: **Dominion Plastics Inc.**

*Primary Examiner*—Doris Clark

[\*\*] Term: **14 Years**

[57] **CLAIM**

[21] Appl. No.: **29/094,769**

The ornamental design for a window or door frame component, as shown and described.

[22] Filed: **Oct. 9, 1998**

### DESCRIPTION

[30] **Foreign Application Priority Data**

Oct. 5, 1998 [CA] Canada ..... 1998-2413

FIG. 1 is a front perspective view of the window or door frame component; and,

[51] **LOC (7) Cl.** ..... **25-01**

[52] **U.S. Cl.** ..... **D25/124**

FIG. 2 is a rear perspective view of the window or door frame component.

[58] **Field of Search** ..... D25/60, 52, 119-125;  
52/204.5; 49/501, 504, DIG. 1, DIG. 2

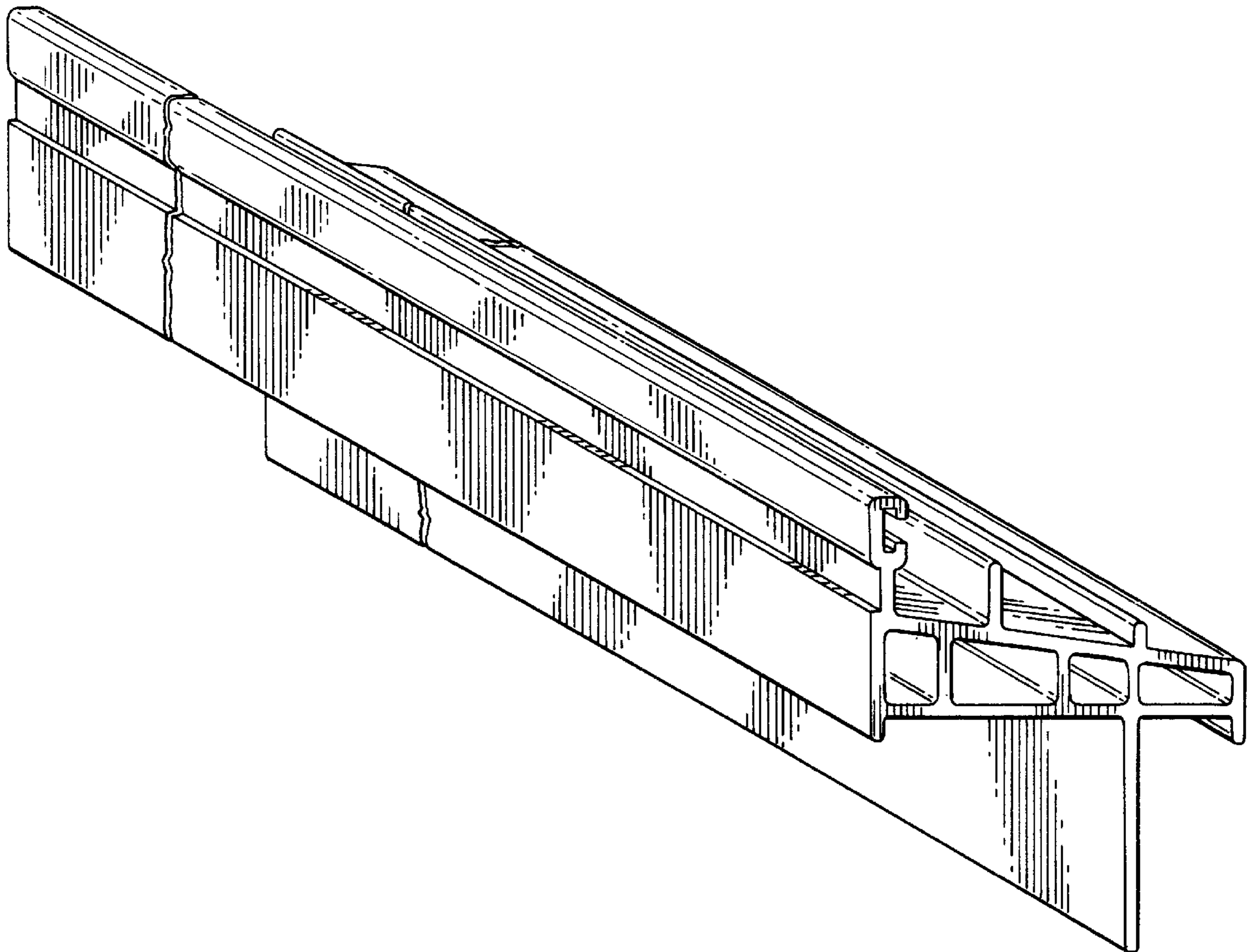
The window or door frame component in FIG. 1 and FIG. 2 is broken away at the end to indicate indefinite length.

[56] **References Cited**

#### U.S. PATENT DOCUMENTS

D. 381,088 7/1997 Digiorgio ..... D25/124

**1 Claim, 1 Drawing Sheet**



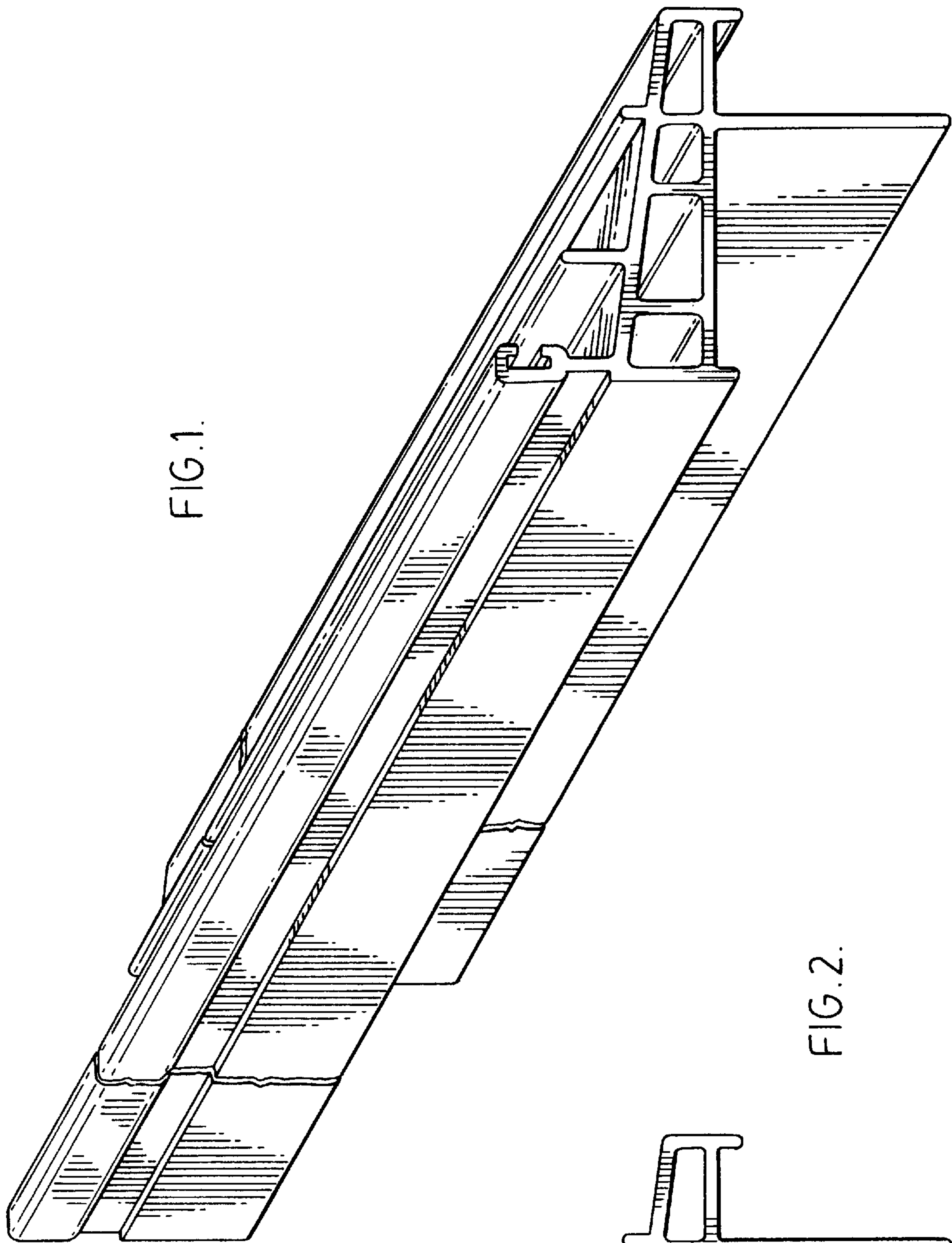


FIG. 1.

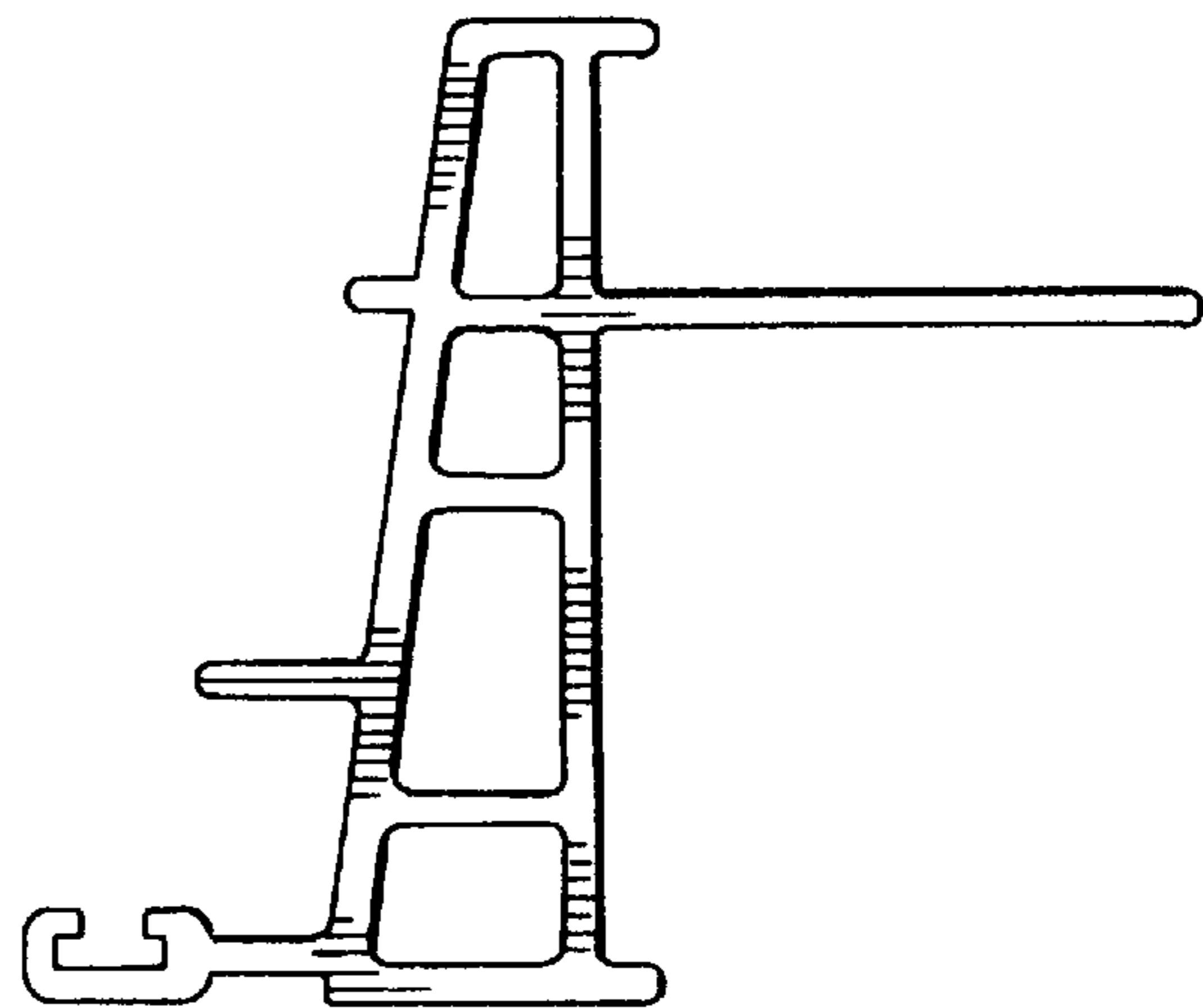


FIG. 2.