



US00D418612S

United States Patent [19]

[11] **Patent Number: Des. 418,612**

Deutsch

[45] **Date of Patent: ** Jan. 4, 2000**

[54] **DETACHABLE TOOL AND PAINT CADDY FOR USE WITH A LADDER**

5,052,581 10/1991 Christ et al. 220/570
5,133,525 7/1992 Good 248/210
5,727,649 3/1998 Buckley 182/129

[76] Inventor: **Paul R Deutsch**, 3406 NW. 59th Ter.,
Kansas City K.C., Mo. 64151

Primary Examiner—Doris Clark
Attorney, Agent, or Firm—Kenneth W. Iles

[**] Term: **14 Years**

[57] **CLAIM**

[21] Appl. No.: **29/106,163**

The ornamental design for detachable tool and paint caddy for use with a ladder, as shown and described.

[22] Filed: **Jun. 10, 1999**

DESCRIPTION

[51] **LOC (7) Cl.** **25-04**

[52] **U.S. Cl.** **D25/68**

[58] **Field of Search** 248/238, 210;
182/129; D25/68

FIG. 1 is a rear perspective view of the detachable tool and paint caddy for use with a ladder showing my new design; FIG. 2 is a front elevation thereof; FIG. 3 is a rear elevation thereof; FIG. 4 is a top plan view thereof; FIG. 5 is a bottom plan view thereof; FIG. 6 is a left-hand side elevation thereof; FIG. 7 is a right-hand side elevation thereof; and, FIG. 8 is a rear perspective thereof shown mounted on a ladder.

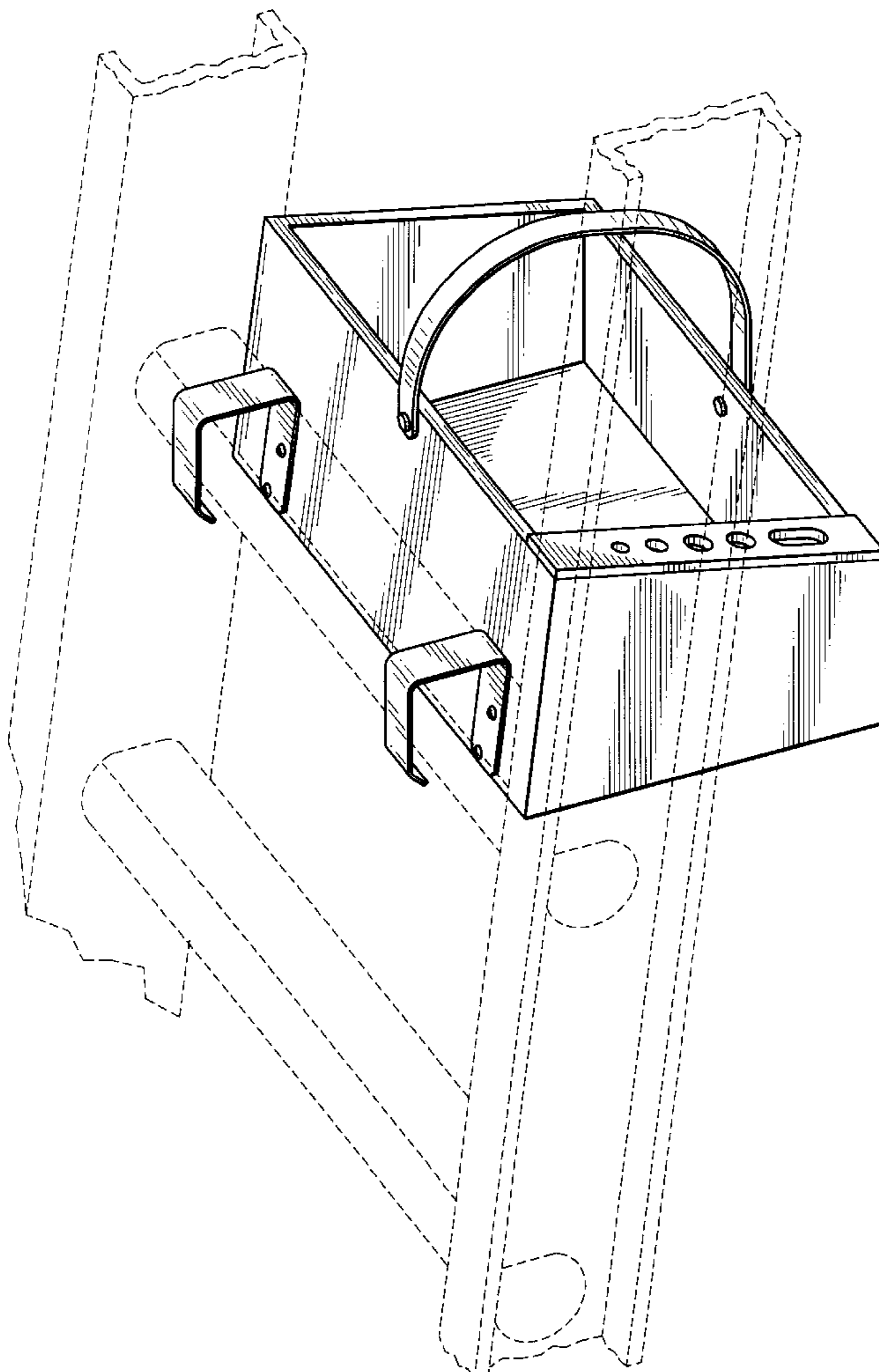
[56] **References Cited**

U.S. PATENT DOCUMENTS

D. 256,730	9/1980	Hester	D25/68
3,842,936	10/1974	De Luca	182/129
4,646,878	3/1987	Moyer	182/121
4,653,608	3/1987	Casada	182/121
4,703,833	11/1987	Bachman	182/129
4,730,802	3/1988	Chatham et al.	182/129
4,899,847	2/1990	Lufkin	182/13

The broken lines showing a ladder is for illustrative purposes only and forms no part of the claimed design.

1 Claim, 5 Drawing Sheets



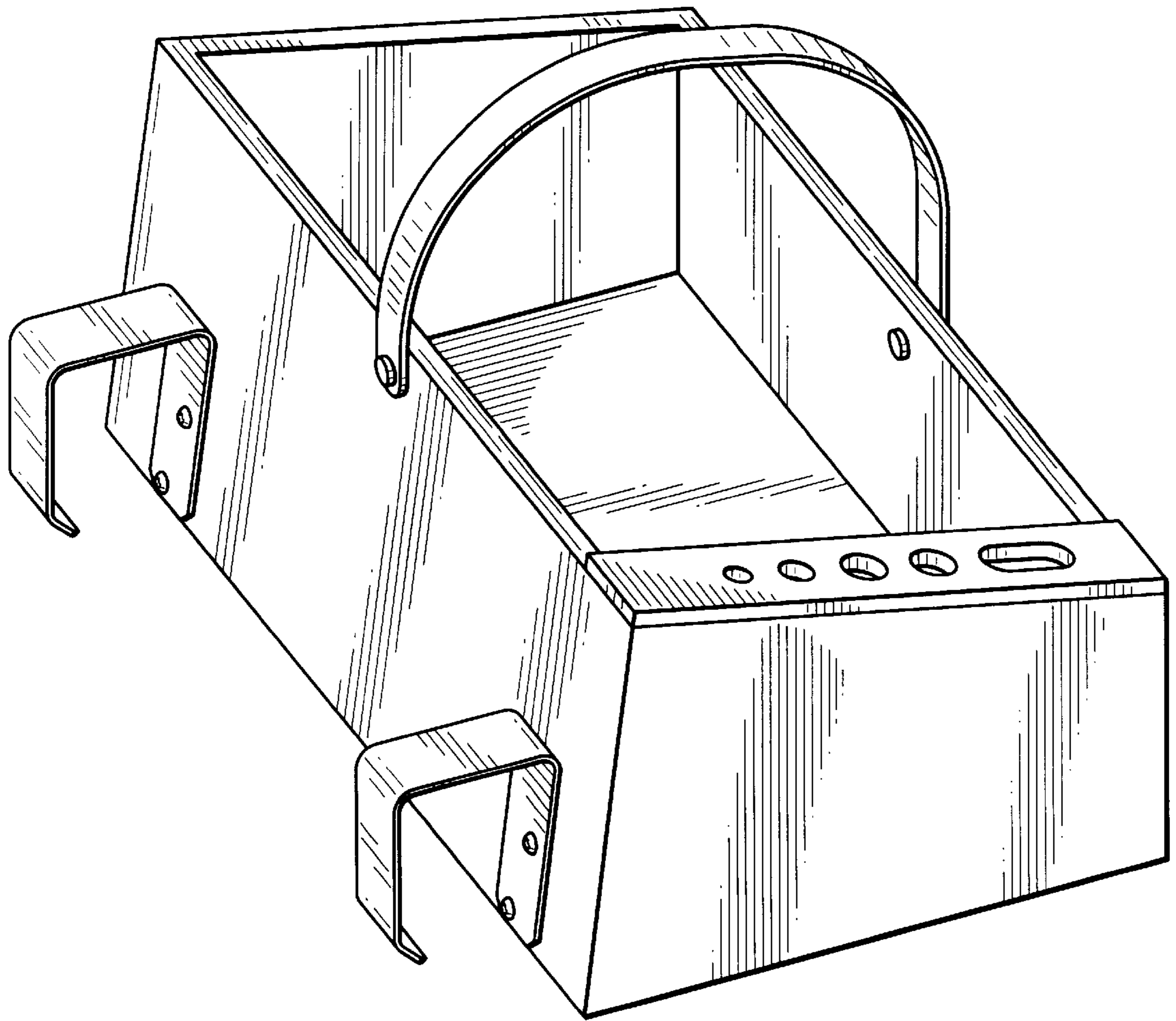


FIG. 1

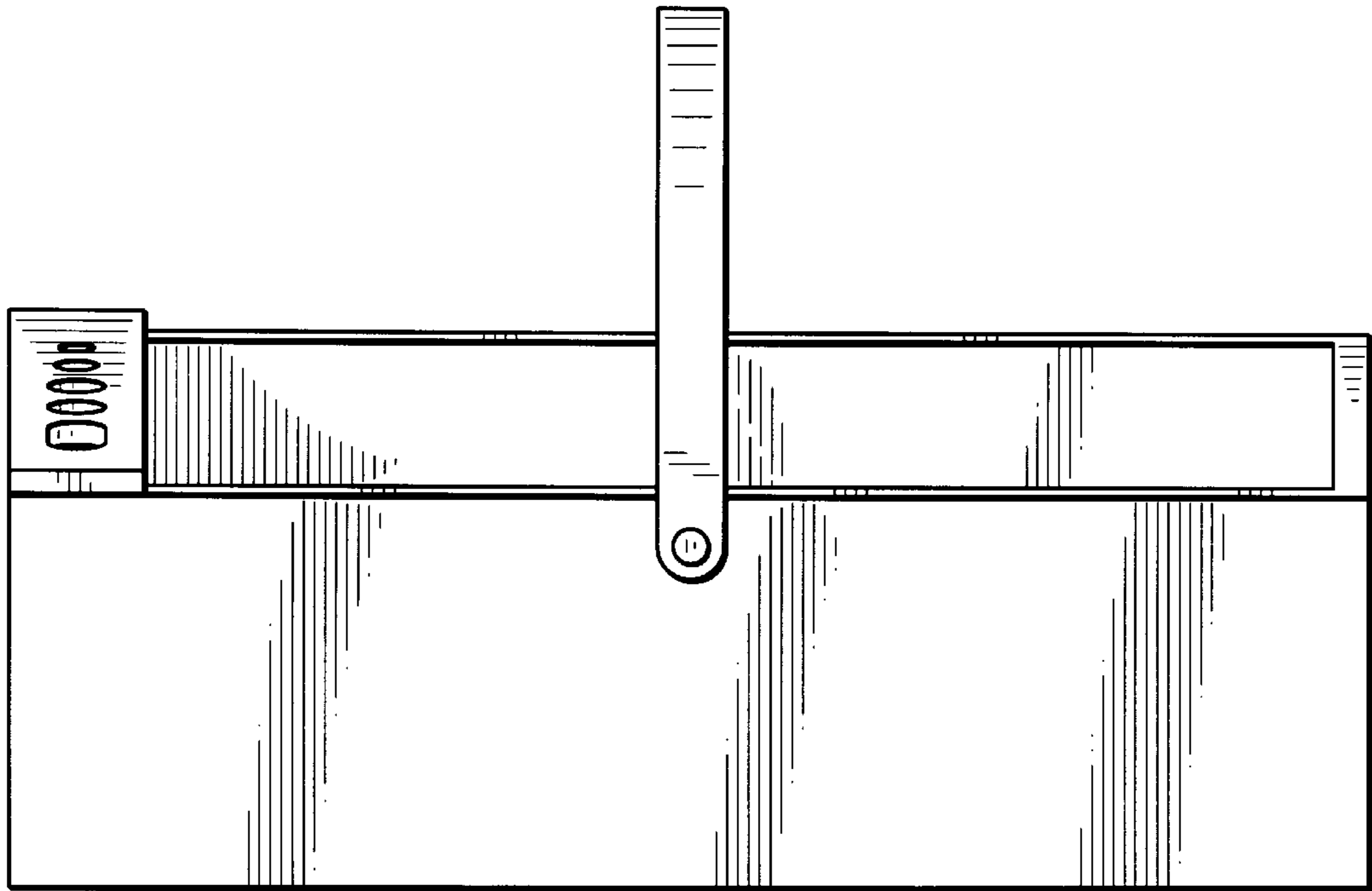


FIG. 2

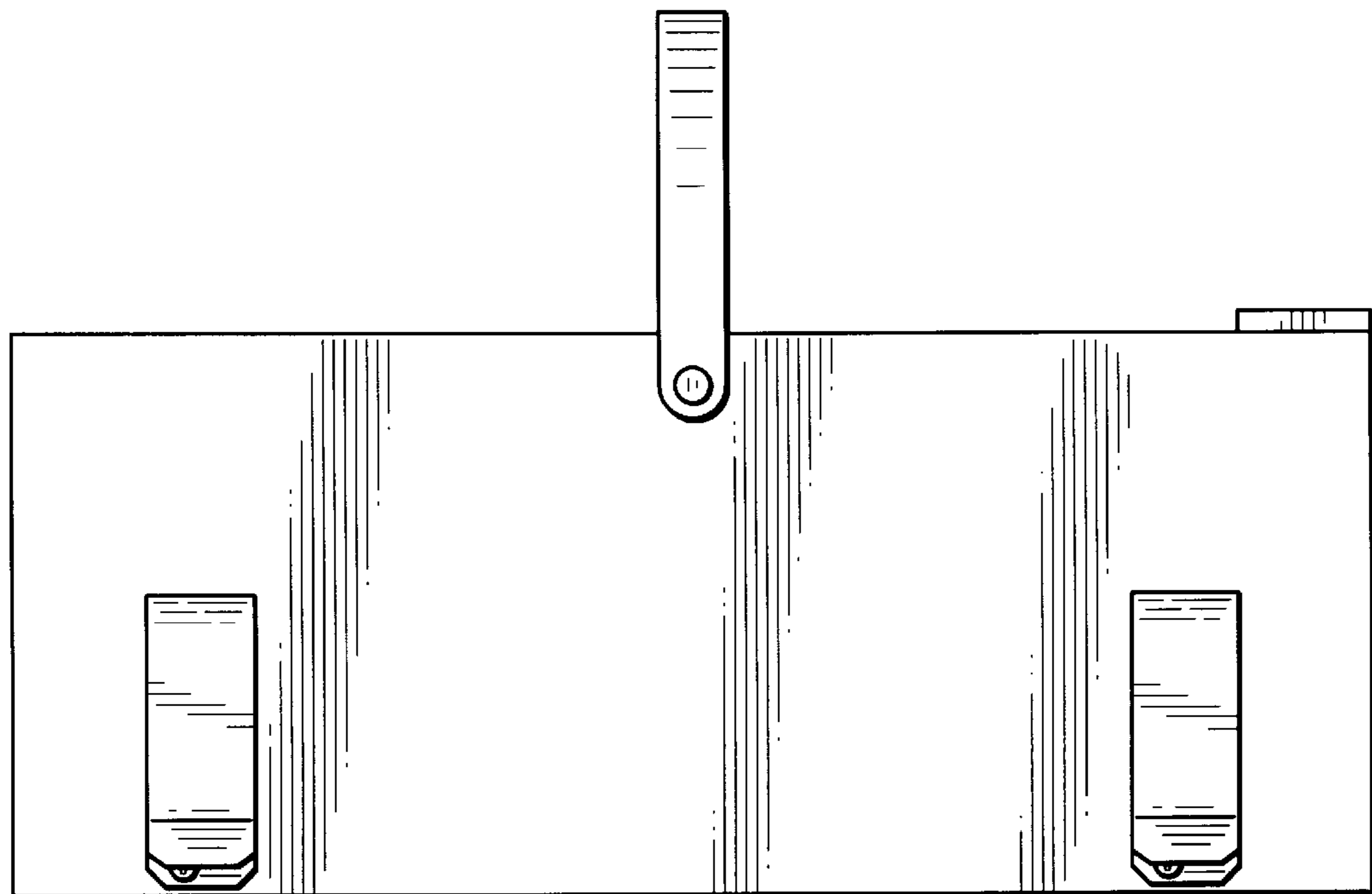


FIG. 3

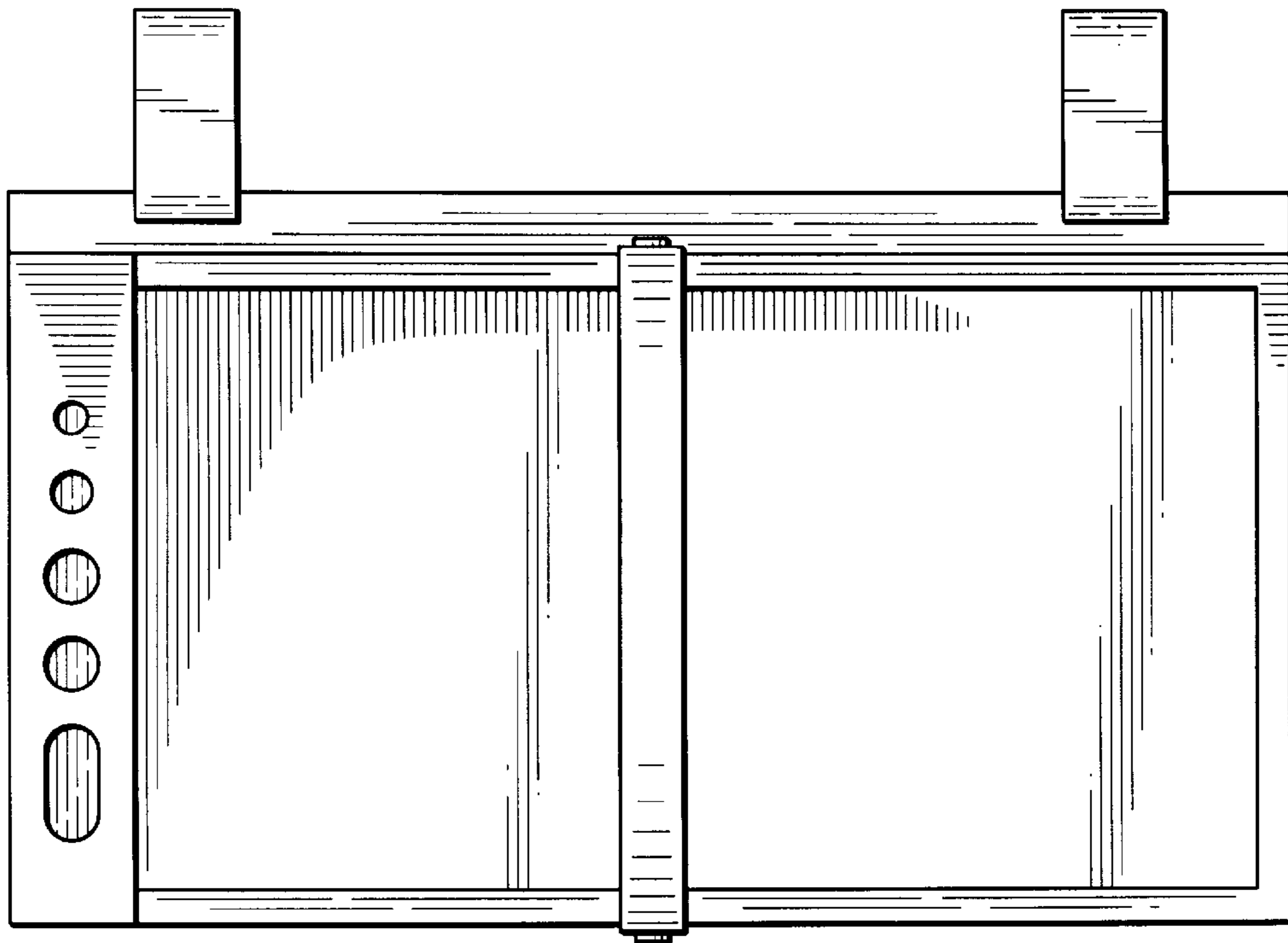


FIG. 4

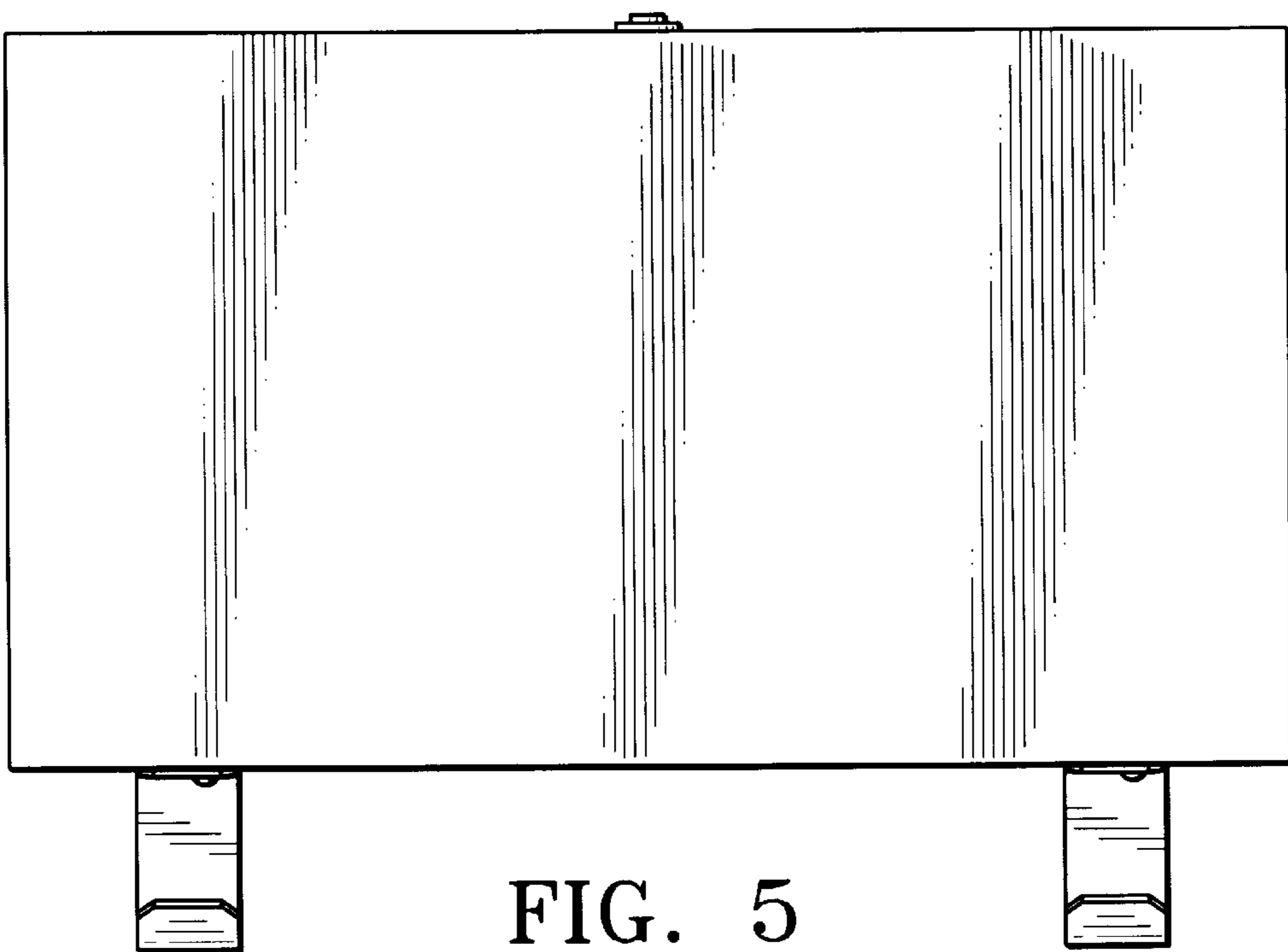


FIG. 5

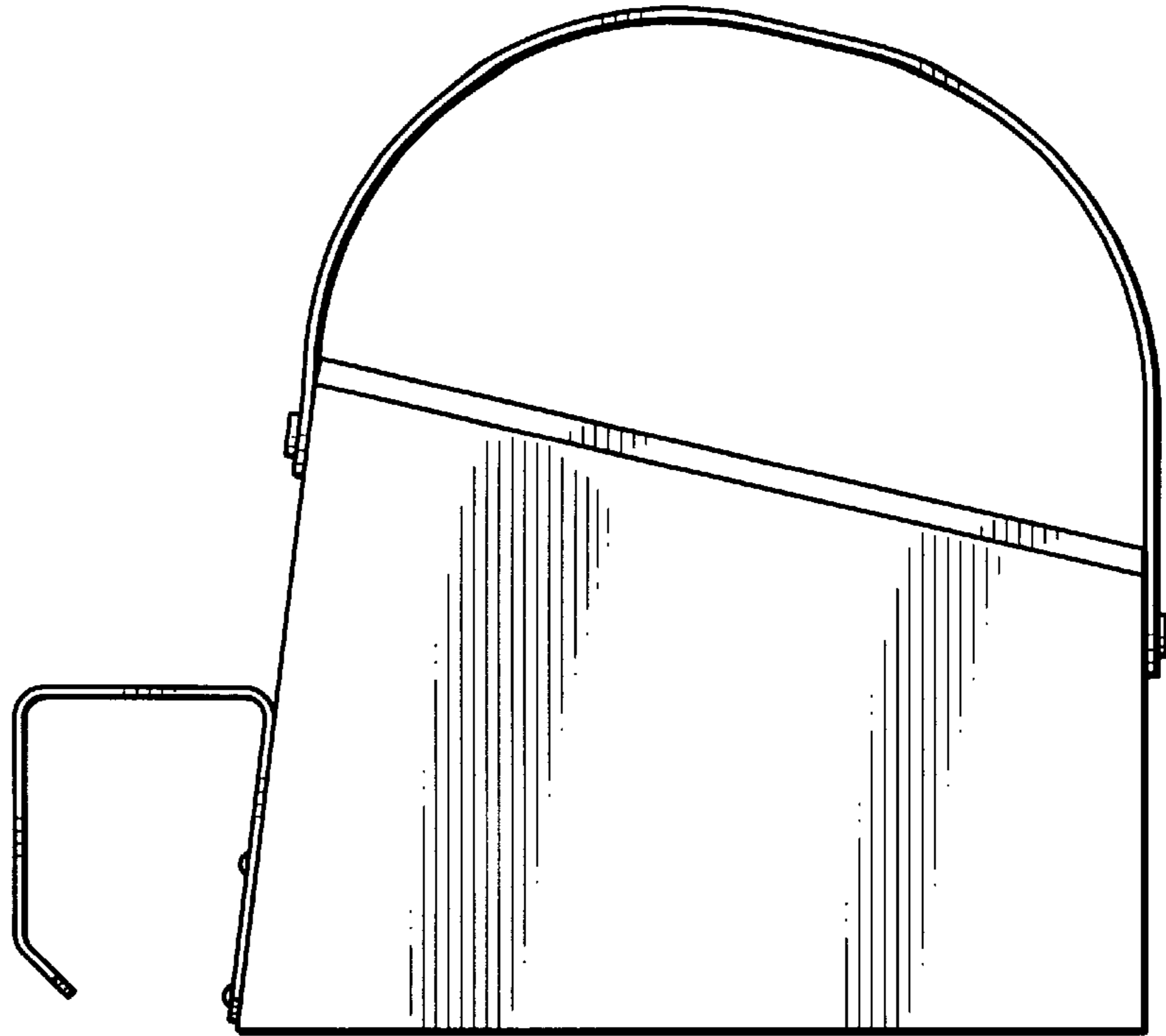


FIG. 6

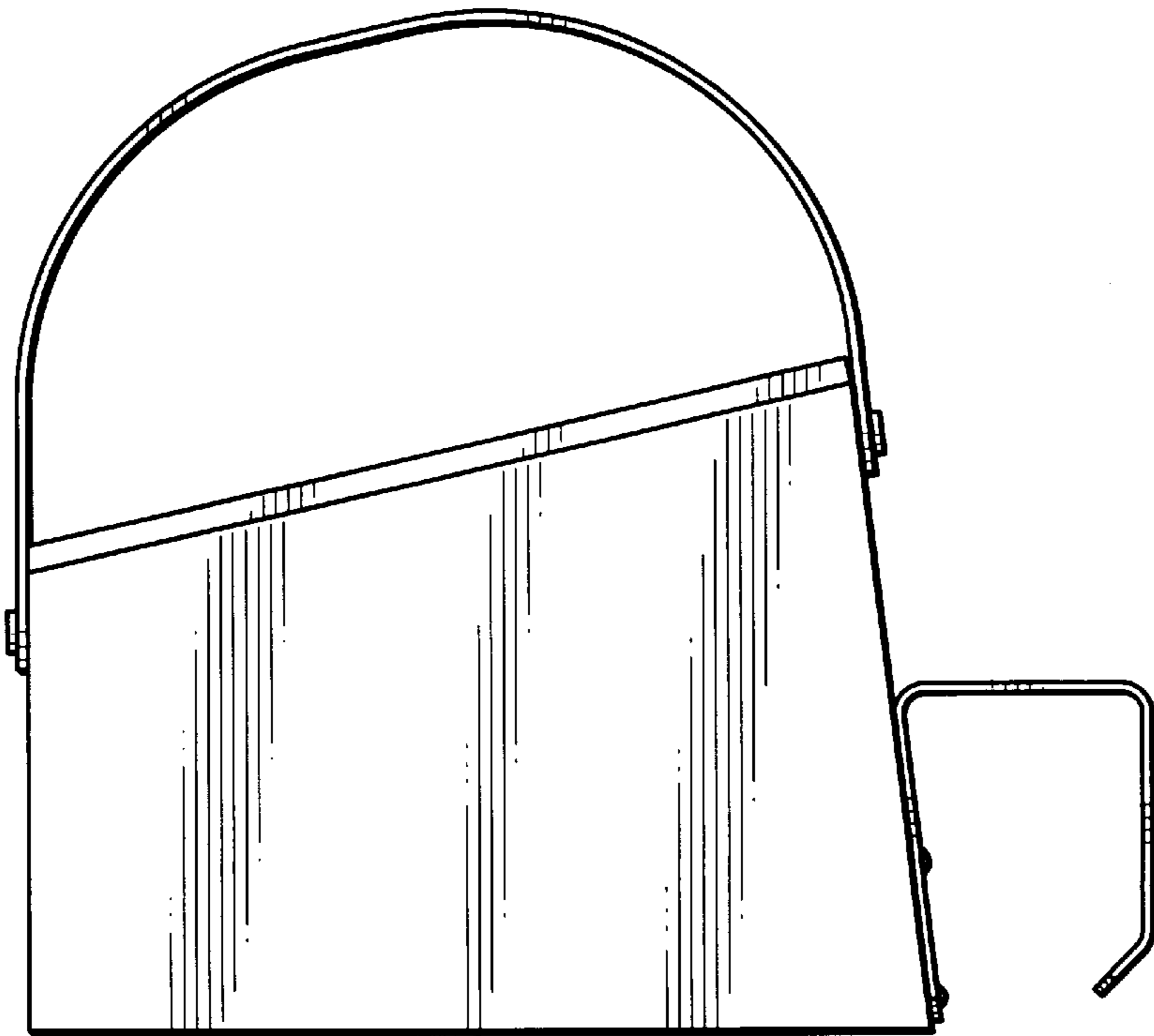


FIG. 7

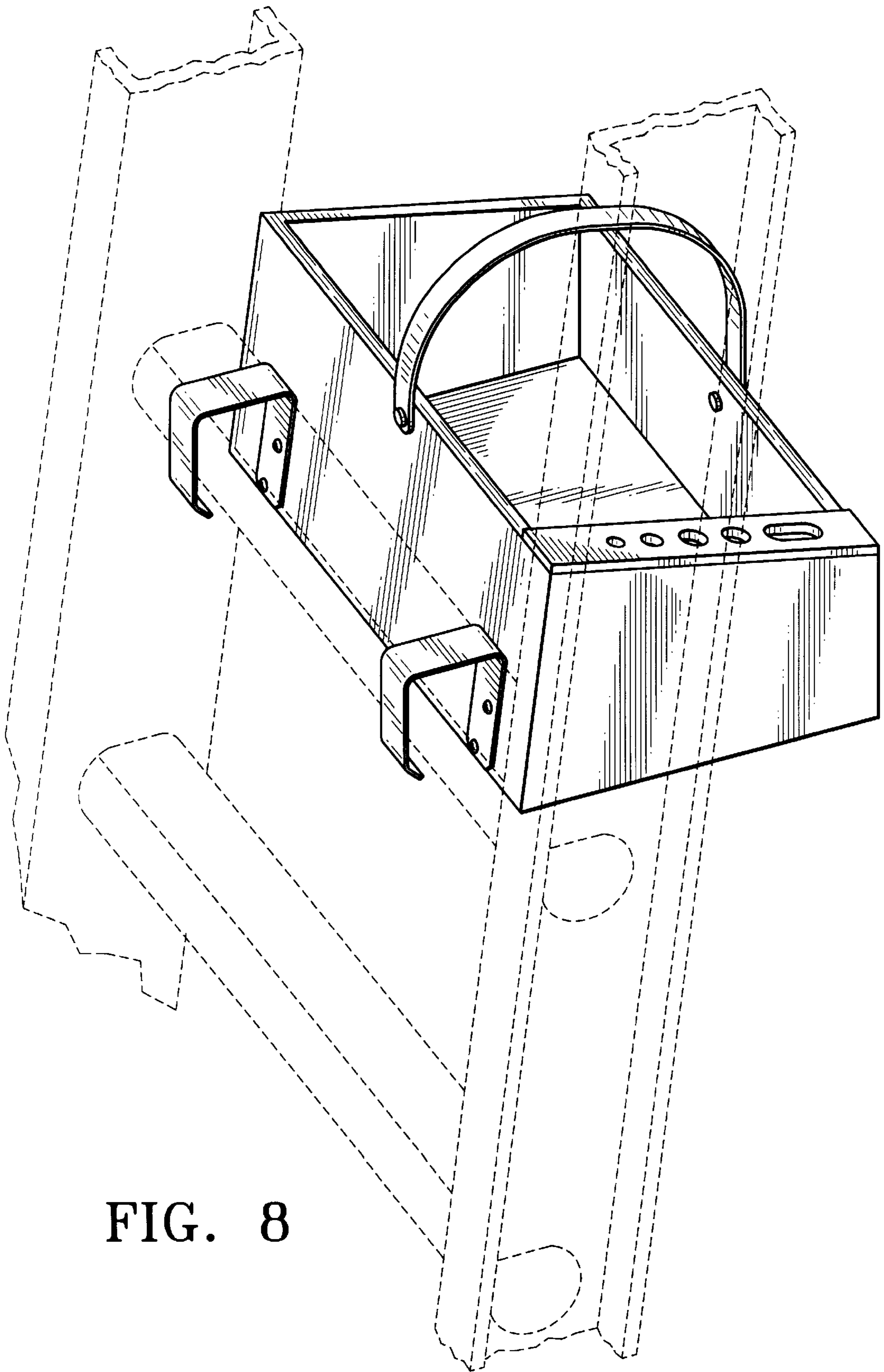


FIG. 8