



US00D418611S

**United States Patent** [19]  
**Montague, III**

[11] **Patent Number: Des. 418,611**  
[45] **Date of Patent: \*\* Jan. 4, 2000**

[54] **CANOPY**

D. 378,540 3/1997 Becker ..... D25/56  
4,332,266 6/1982 Wageley ..... 135/906

[75] Inventor: **Edgar B. Montague, III**, Fort Mill, S.C.

*Primary Examiner*—Doris Clark  
*Attorney, Agent, or Firm*—Brinks Hofer Gilson & Lione

[73] Assignee: **Herman Miller Inc.**, Zeeland, Mich.

[\*\*] Term: **14 Years**

[57] **CLAIM**

The ornamental design for a canopy, as shown and described.

[21] Appl. No.: **29/088,765**

[22] Filed: **Jun. 1, 1998**

**DESCRIPTION**

[51] **LOC (7) Cl.** ..... **25-02**

FIG. 1 is a perspective view of a canopy;

[52] **U.S. Cl.** ..... **D25/56**

FIG. 2 is a side view thereof;

[58] **Field of Search** ..... D25/56, 33, 1;

FIG. 3 is a front view thereof;

135/87, 88.1, 906

FIG. 4 is a rear view thereof;

FIG. 5 is a top view thereof; and,

FIG. 6 is a bottom view thereof.

[56] **References Cited**

**U.S. PATENT DOCUMENTS**

D. 365,884 1/1996 Dennis ..... D25/56

**1 Claim, 3 Drawing Sheets**

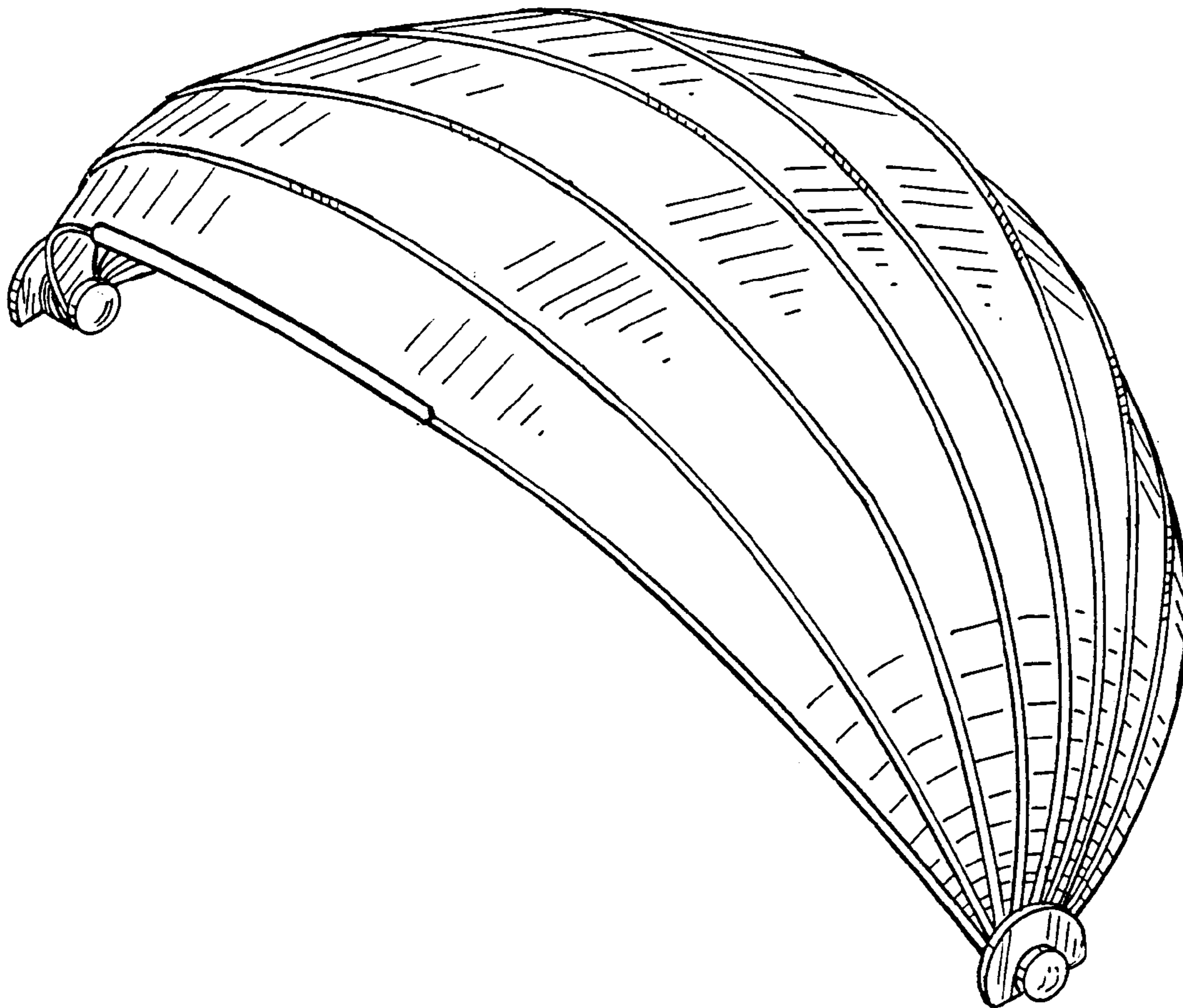


FIG. 1

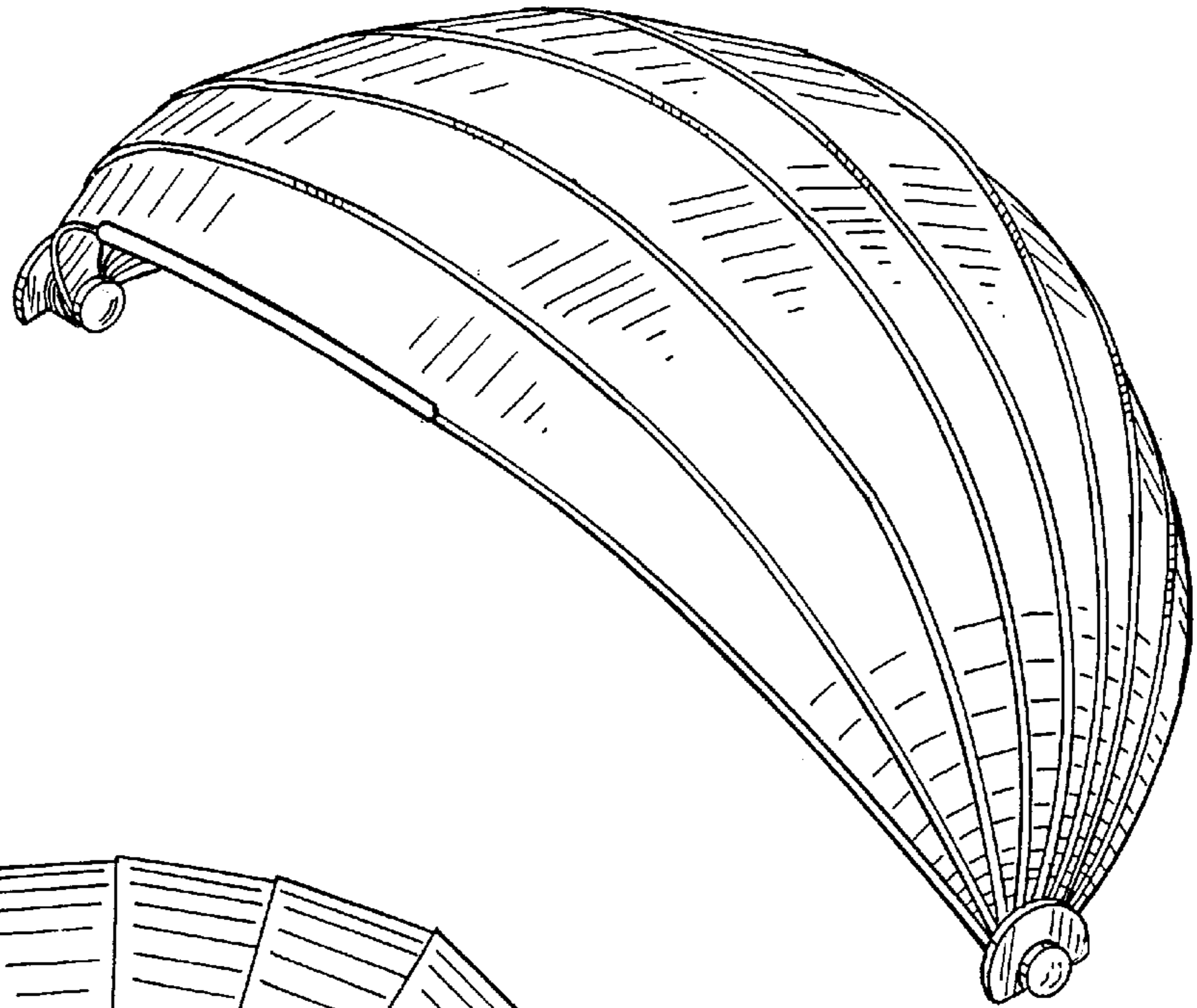


FIG. 2

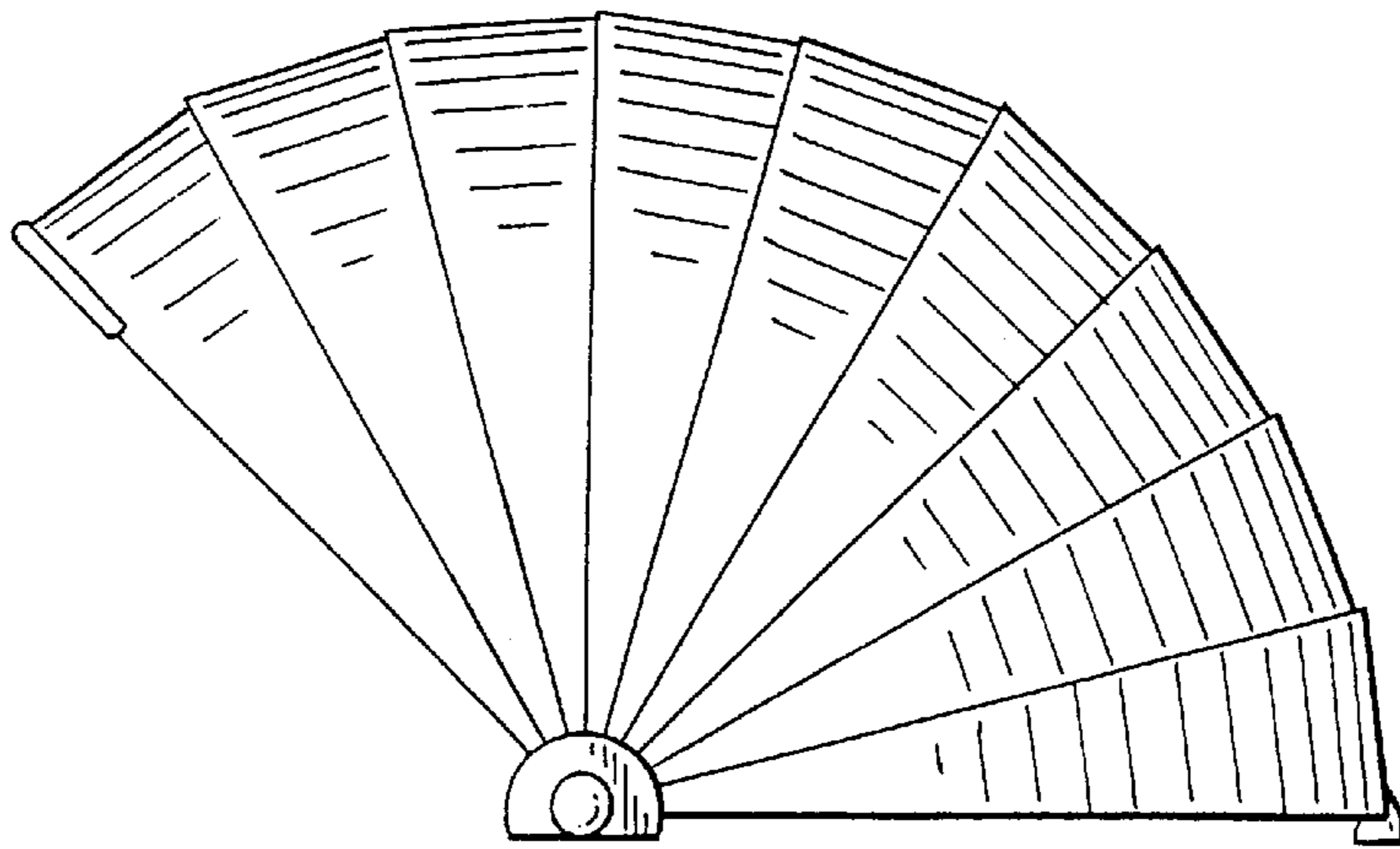


FIG. 3

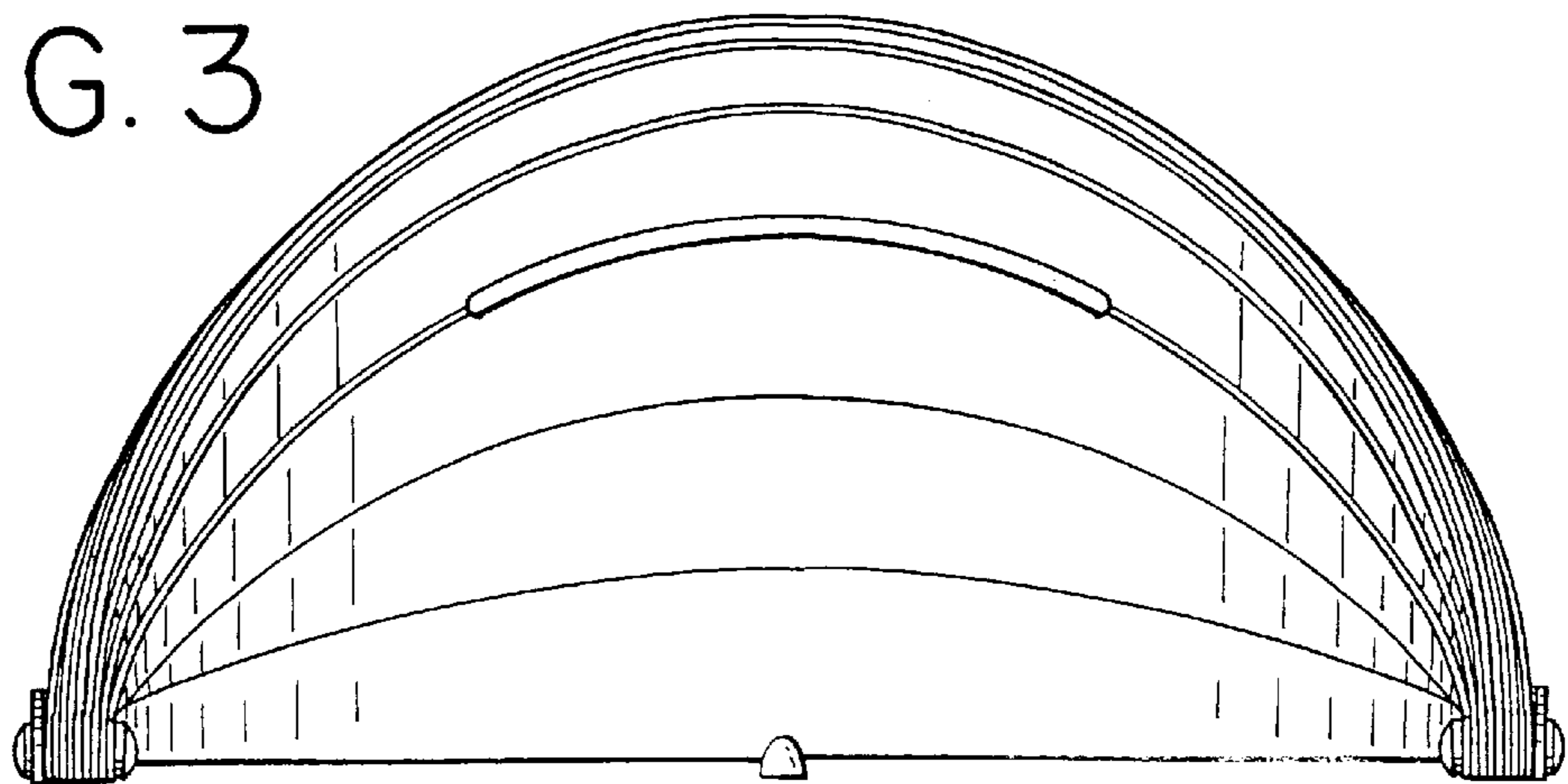


FIG. 4

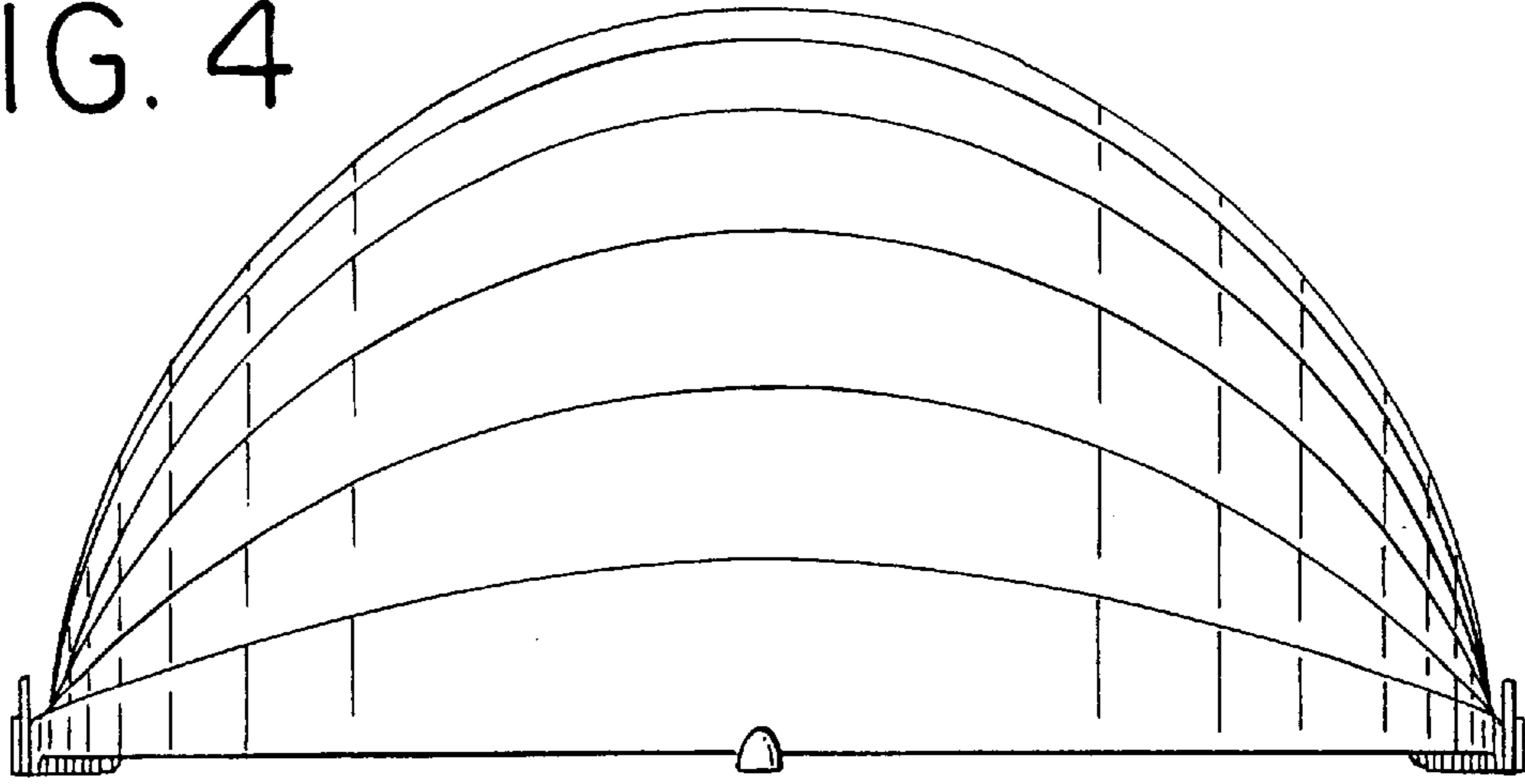


FIG. 5

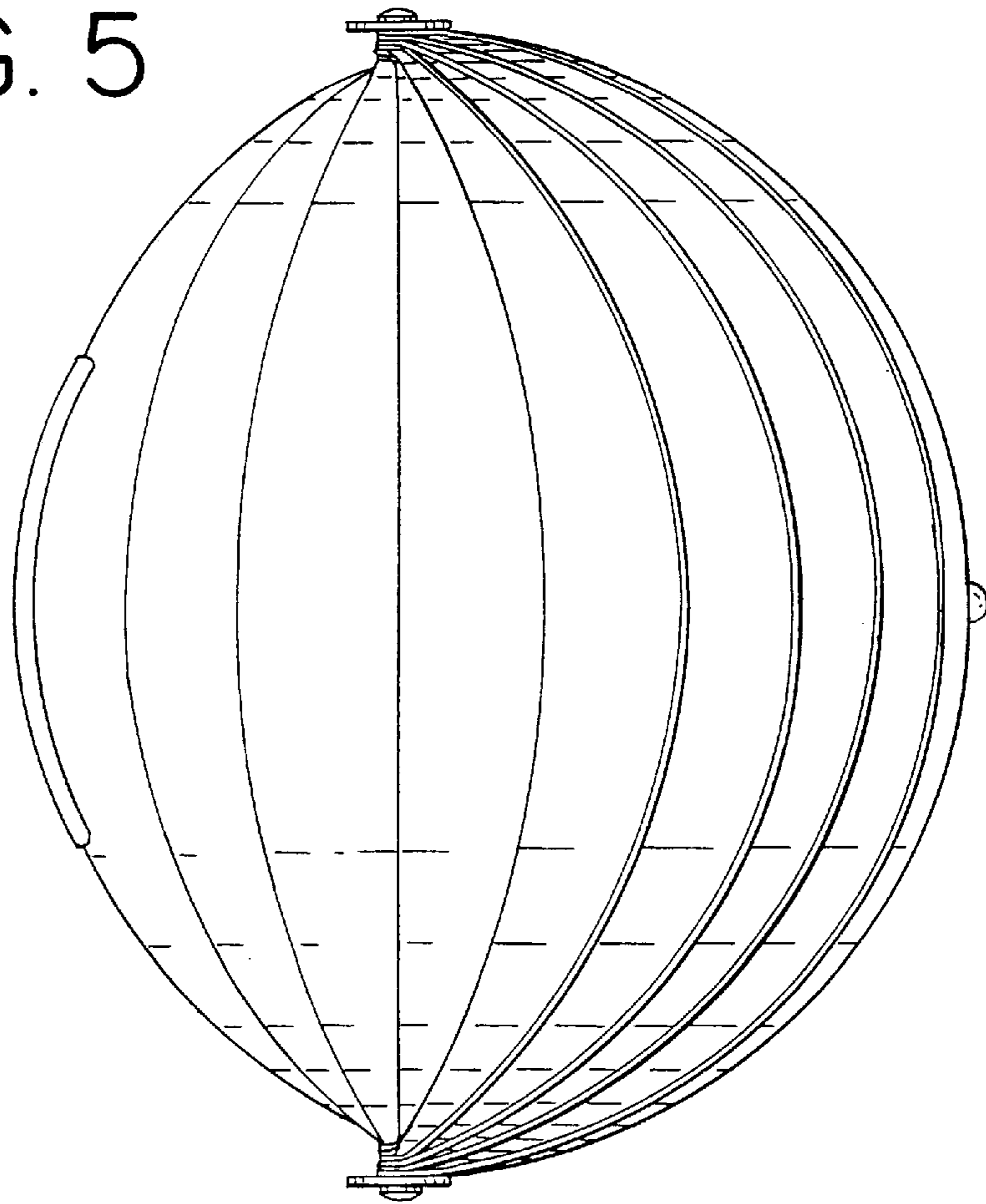


FIG. 6

