



US00D418609S

**United States Patent** [19]  
**Lindgren**

[11] **Patent Number: Des. 418,609**  
[45] **Date of Patent: \*\* Jan. 4, 2000**

[54] **BIFUNCTIONAL ROOF WINDOW WITH HORIZONTAL TOP AND CENTRAL PIVOT AXES**

5,581,942 12/1996 Sill et al. .... 52/200

**OTHER PUBLICATIONS**

Installation instructions for roof window, Velux GPL, 1995.

*Primary Examiner*—Doris Clark

*Attorney, Agent, or Firm*—Lane, Aitken & McCann, L.L.P.

[75] **Inventor: Claes Lindgren**, Farum, Denmark

[73] **Assignee: VELUX Industri A/S**, Søborg, Denmark

[\*\*] **Term: 14 Years**

[21] **Appl. No.: 29/094,613**

[22] **Filed: Oct. 6, 1998**

[30] **Foreign Application Priority Data**

Apr. 7, 1998 [DK] Denmark ..... MA 0393 1998

[51] **LOC (7) Cl. .... 25-02**

[52] **U.S. Cl. .... D25/52**

[58] **Field of Search .... D25/52; 52/200, 52/204.51, 204.66; 49/DIG. 2, 504, 505**

[56] **References Cited**

**U.S. PATENT DOCUMENTS**

- D. 328,795 8/1992 Yamaguchi et al. .... D25/52
- D. 363,557 10/1995 Lindgren et al. .... D25/52
- 4,986,039 1/1991 Weisner ..... 52/200

[57] **CLAIM**

A bifunctional roof window with horizontal top and central pivot axes, as shown and described.

**DESCRIPTION**

FIG. 1 is a front, side, and bottom perspective view of the bifunctional roof window with horizontal top and central axis, with the sash pivoted to open position about the central axis;

FIG. 2 is a front, side and bottom perspective view thereof with the sash pivoted to open position about the top axis;

FIG. 3 is a front, side and bottom perspective view thereof with the sash in closed position;

FIG. 4 is a front elevational view thereof;

FIG. 5 is a rear elevational view thereof;

FIG. 6 is a top plan view thereof;

FIG. 7 is a side elevational view thereof; and,

FIG. 8 is the opposite side elevational view thereof.

**1 Claim, 6 Drawing Sheets**

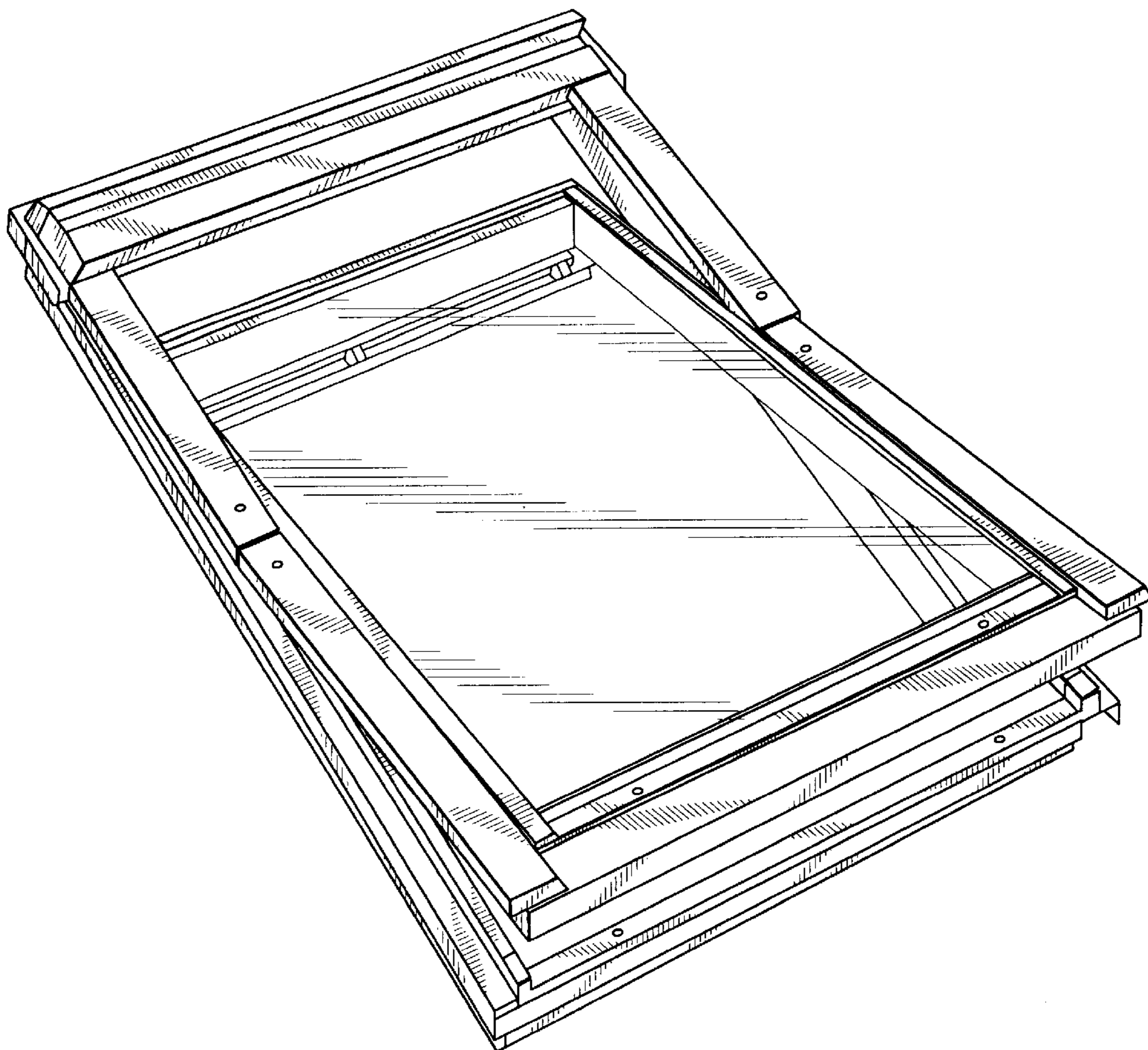


FIG. 1

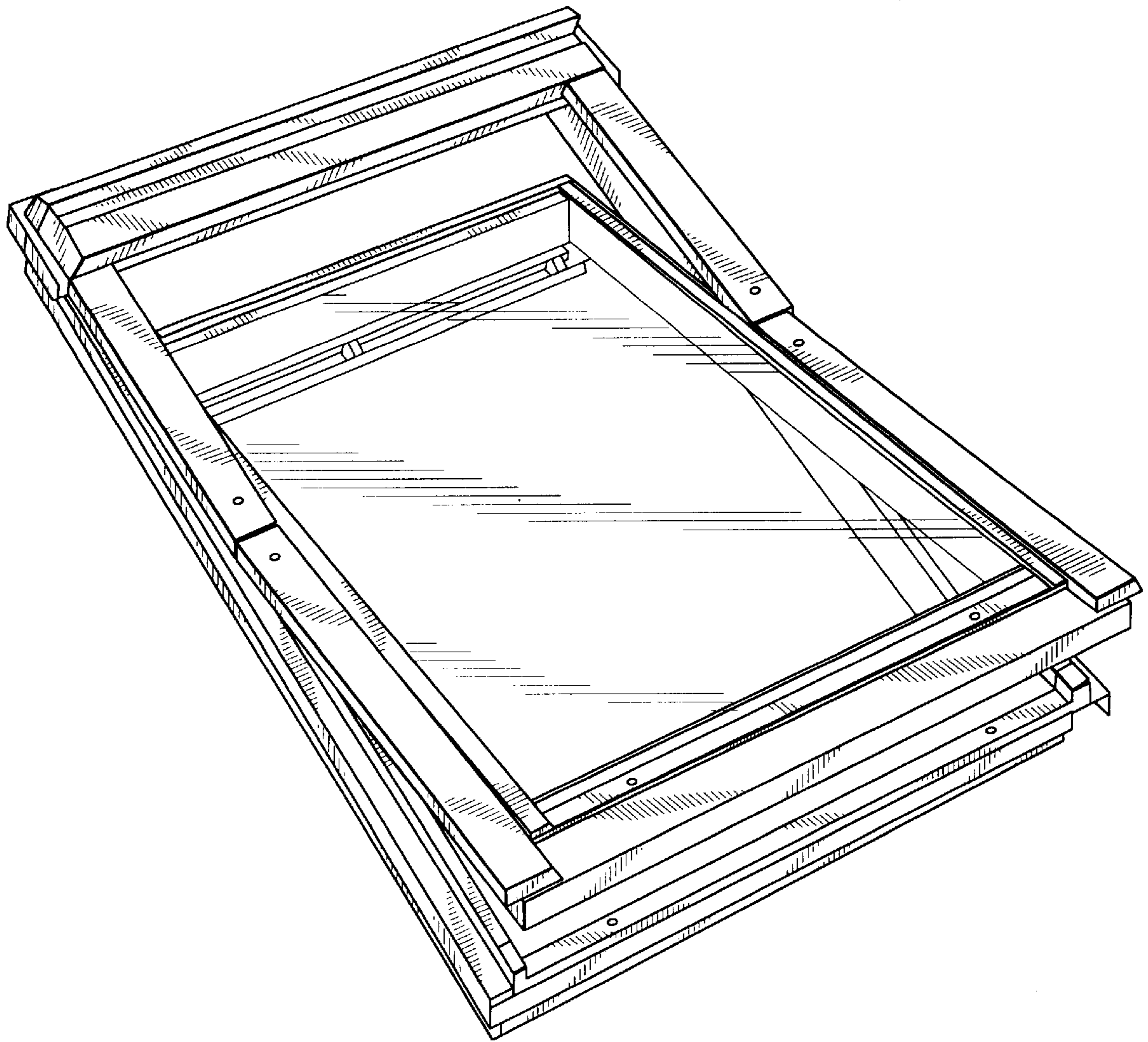




FIG. 2

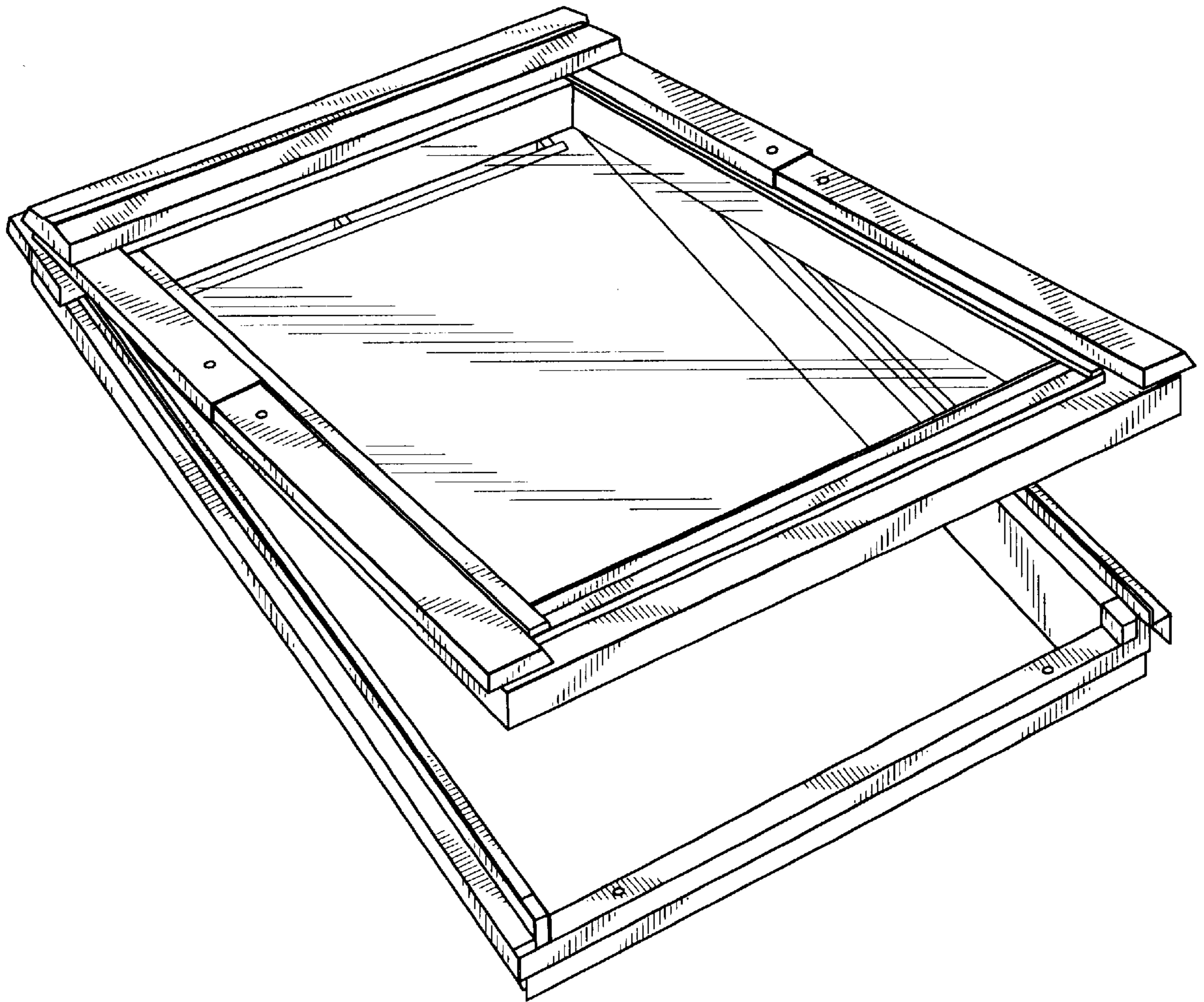
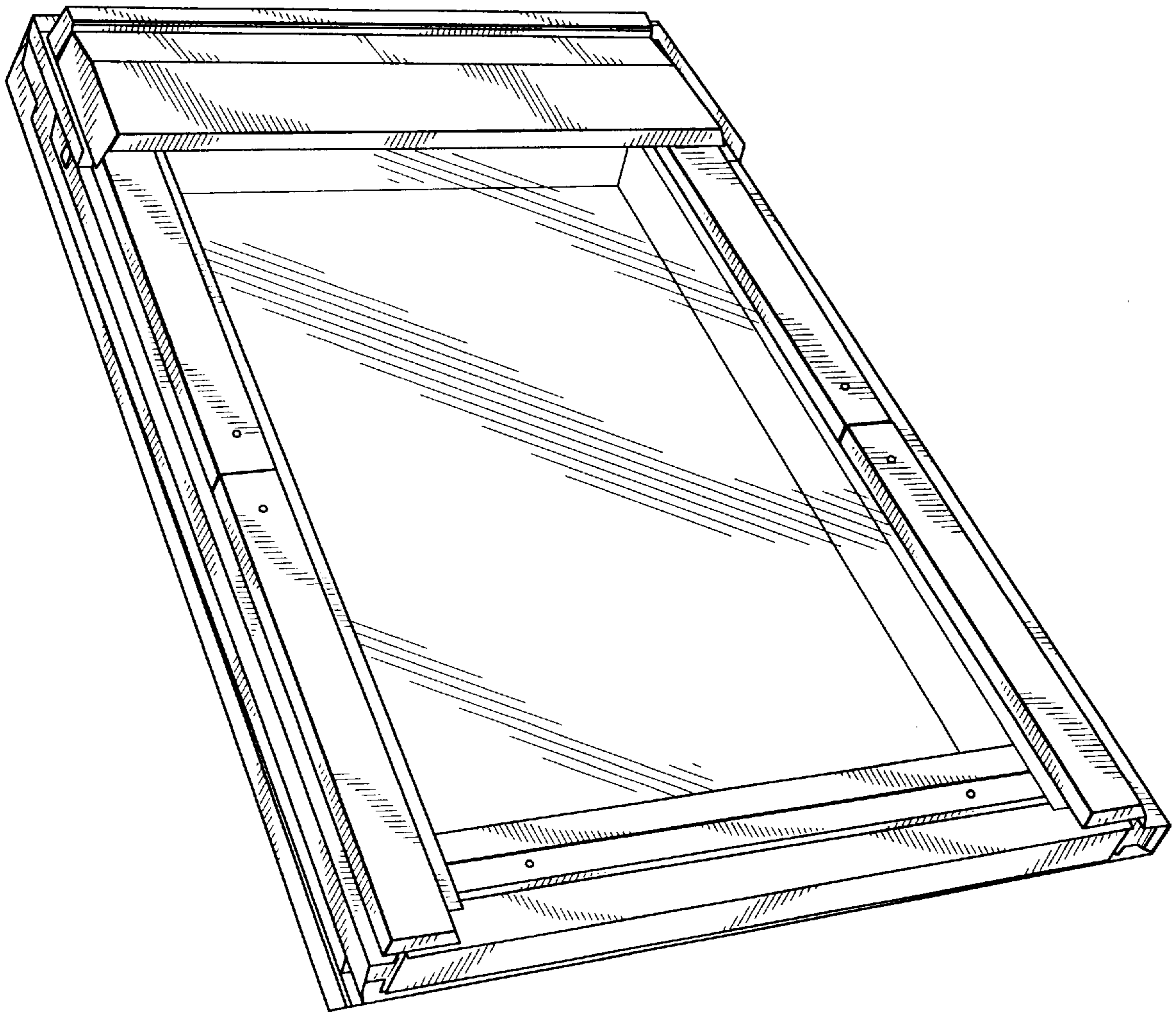
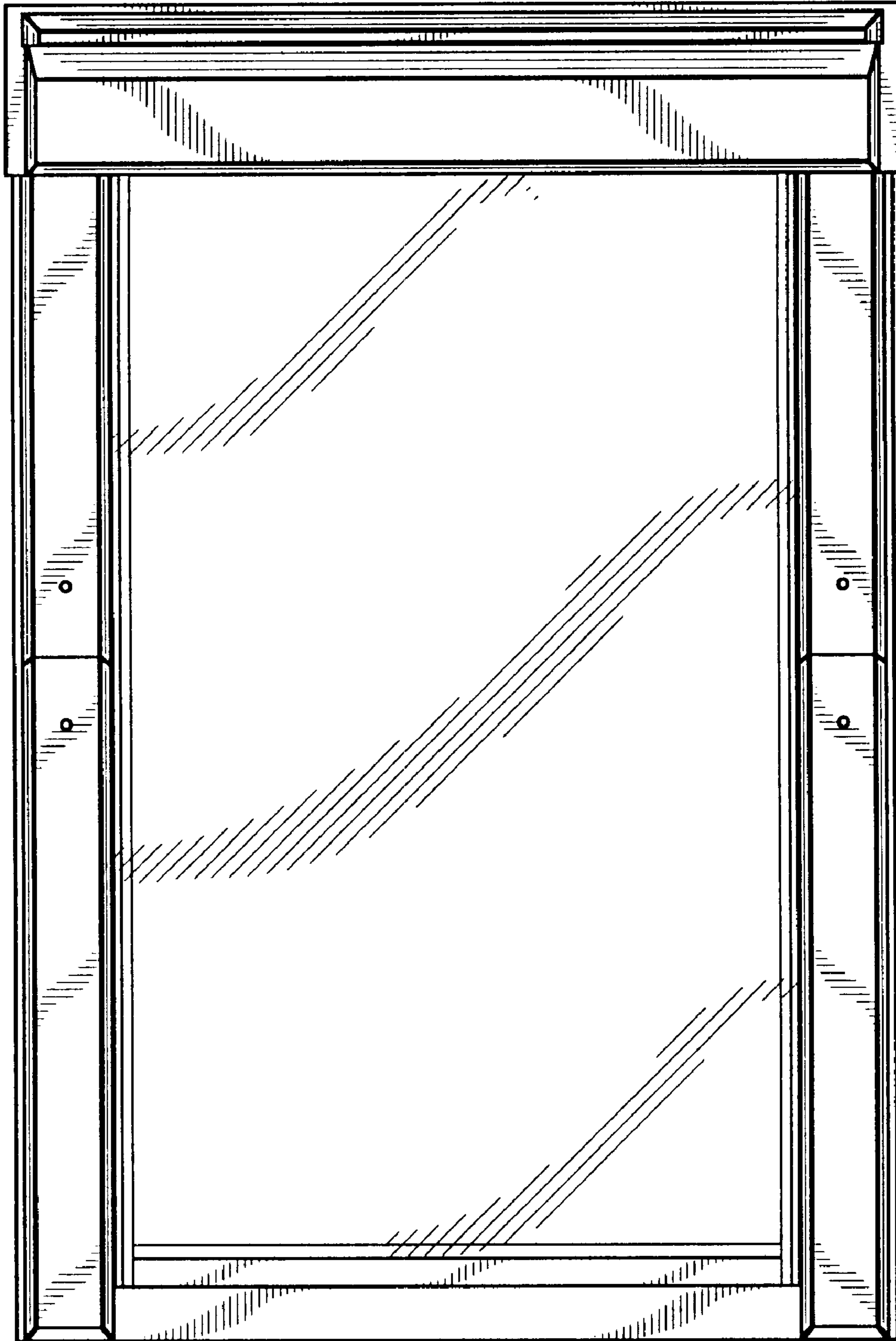


FIG. 3



# FIG. 4



**FIG. 5**

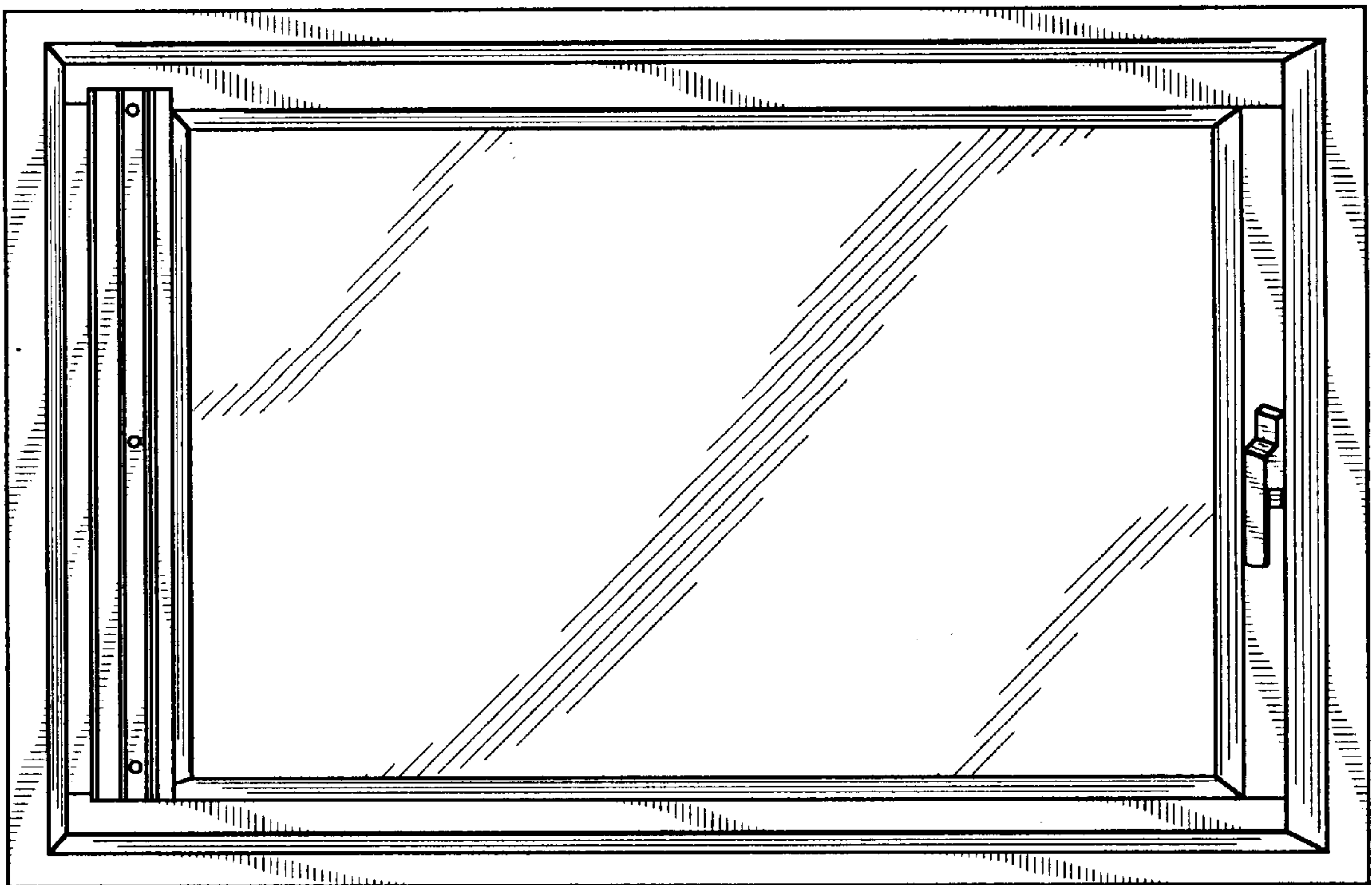


FIG. 8



FIG. 7

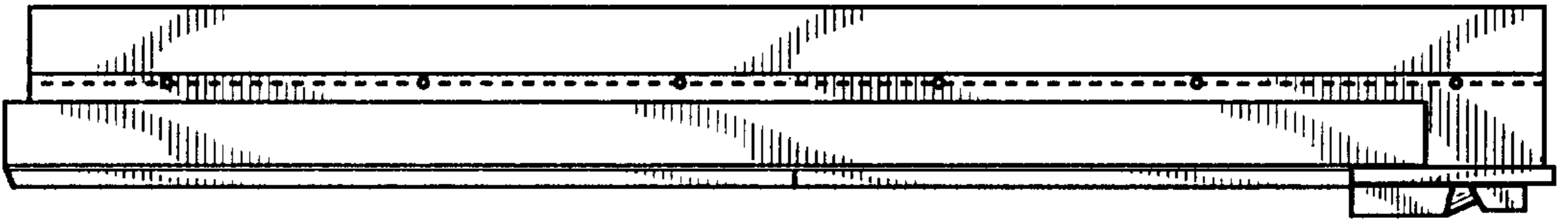
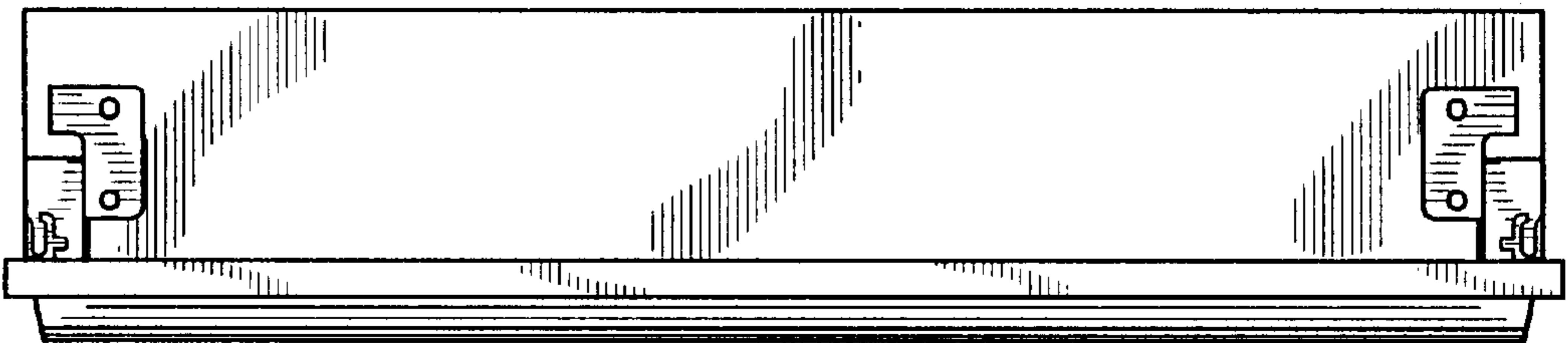


FIG. 6





UNITED STATES PATENT AND TRADEMARK OFFICE  
**CERTIFICATE OF CORRECTION**

PATENT NO. : Des. 418,609  
DATED : January 4, 2000  
INVENTOR(S) : Claes Lindgren

It is certified that error appears in the above-identified patent and that said Letters Patent is hereby corrected as shown below:

In the Figure Descriptions, Fig. 1, line 3, "axis" should read "axes"

Signed and Sealed this  
Eleventh Day of July, 2000

Attest:



Q. TODD DICKINSON

Attesting Officer

Director of Patents and Trademarks