



US00D418604S

# United States Patent [19]

Burym et al.

[11] **Patent Number: Des. 418,604**

[45] **Date of Patent: \*\* Jan. 4, 2000**

[54] **COMBINATION BABY PACIFIER AND MEDICINE DELIVERY APPARATUS**

D. 380,269	6/1997	Mendes .....	D24/194
D. 391,641	3/1998	Fields et al. ....	D24/194
5,859,585	1/1999	Fleming .....	340/539

[76] Inventors: **Terry Lyle Burym; Sheila Carrie Burym**, both of Box 1445, Canora, Saskatchewan, Canada, S0A 0L0

*Primary Examiner*—Stella Reid

[\*\*] Term: **14 Years**

[57] **CLAIM**

The ornamental design for a combination baby pacifier and medicine delivery apparatus, as shown and described.

[21] Appl. No.: **29/101,125**

### DESCRIPTION

[22] Filed: **Feb. 23, 1999**

FIG. 1 is a front elevational view of the combination baby pacifier and medicine delivery apparatus showing our new design;

[51] **LOC (7) Cl.** ..... **24-04**

[52] **U.S. Cl.** ..... **D24/194**

[58] **Field of Search** ..... D24/194, 193; 606/234, 235, 236

FIG. 2 is a rear elevational view thereof;

FIG. 3 is an exploded right side view thereof;

FIG. 4 is a left side view thereof;

FIG. 5 is a top plan view thereof; and,

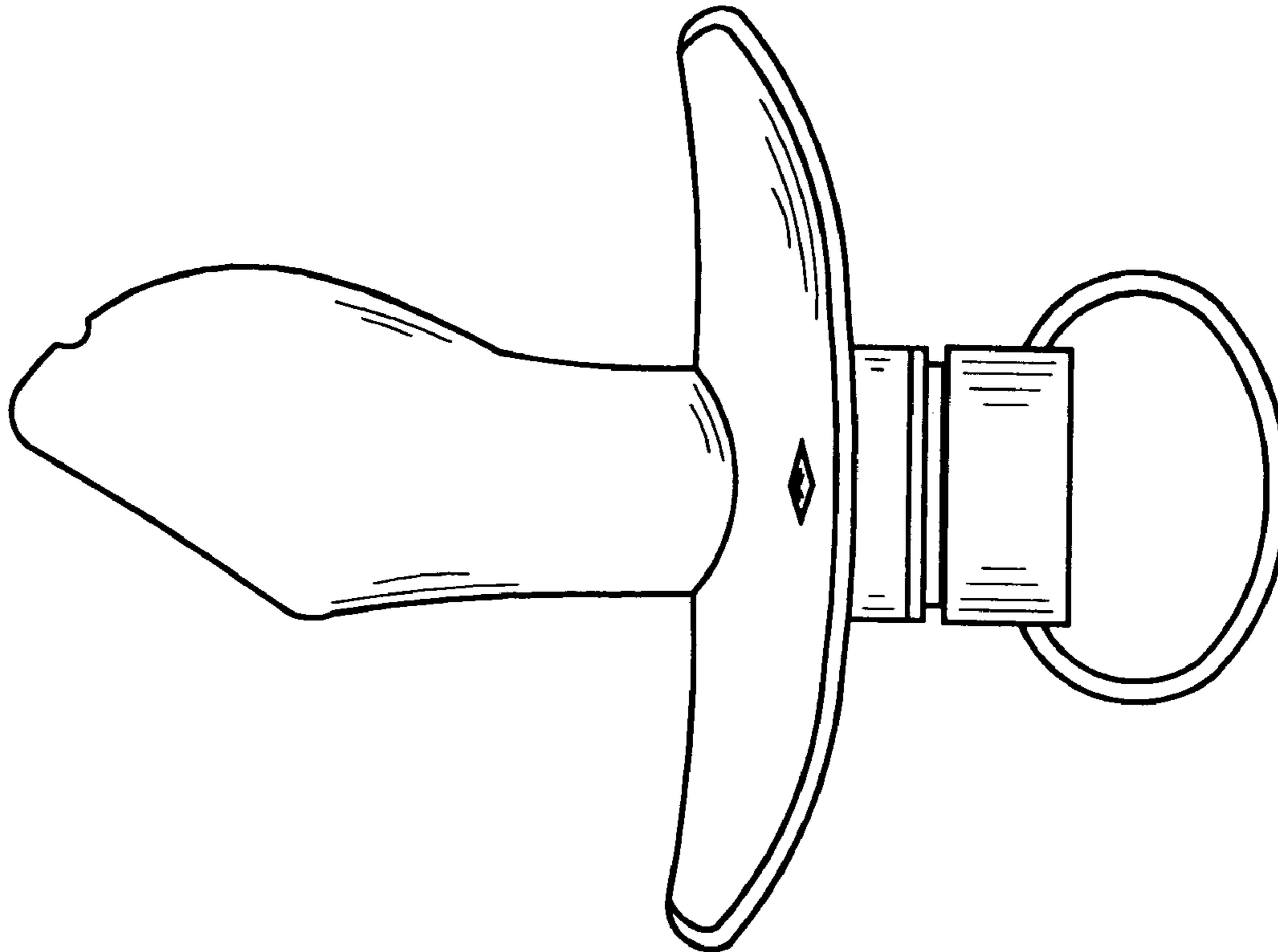
FIG. 6 is a bottom plan view thereof.

### [56] **References Cited**

#### U.S. PATENT DOCUMENTS

D. 294,297	2/1988	Roehrig .....	D24/194
D. 338,274	8/1993	Chuang .....	D24/194

**1 Claim, 2 Drawing Sheets**



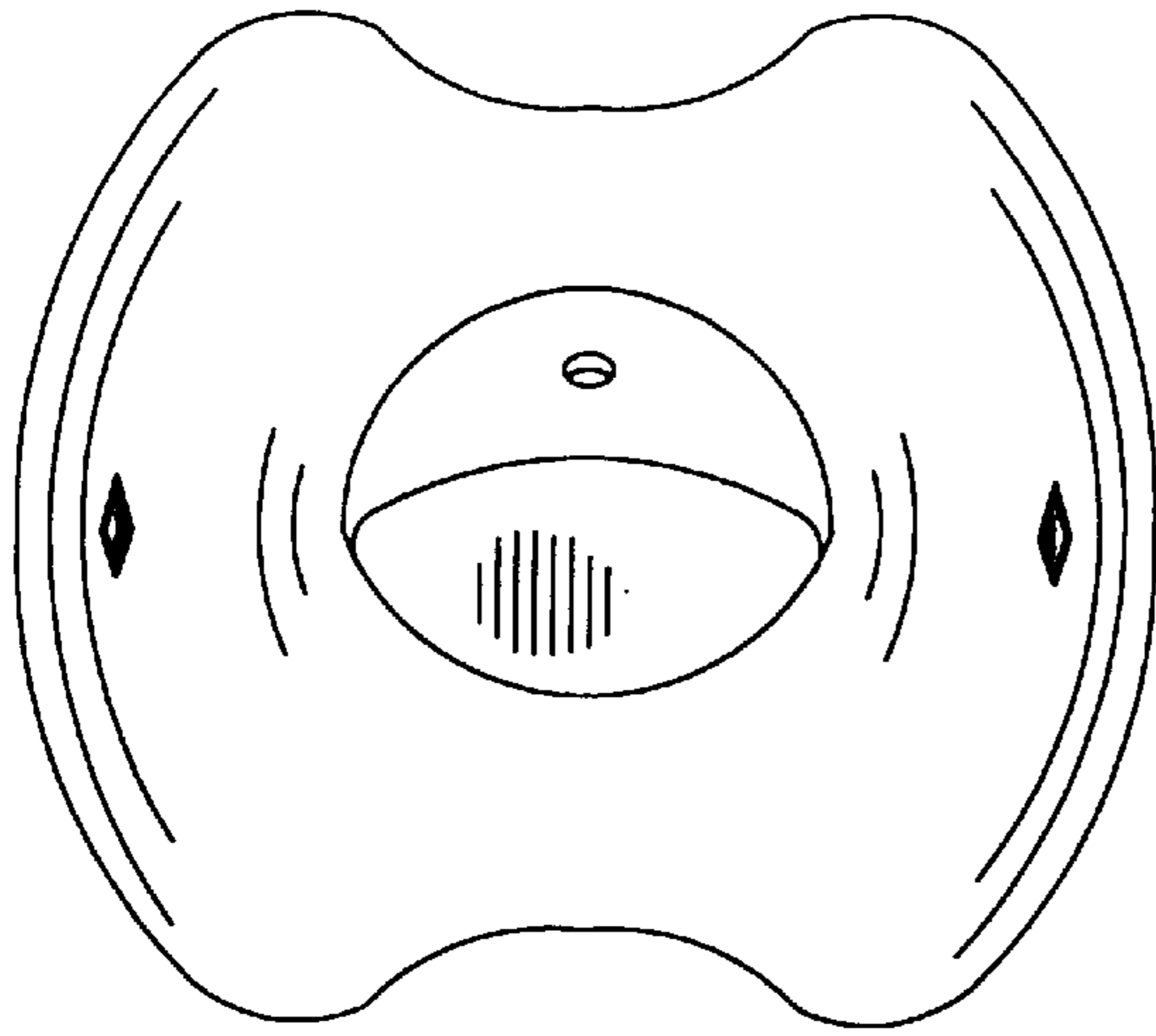


FIG. 1

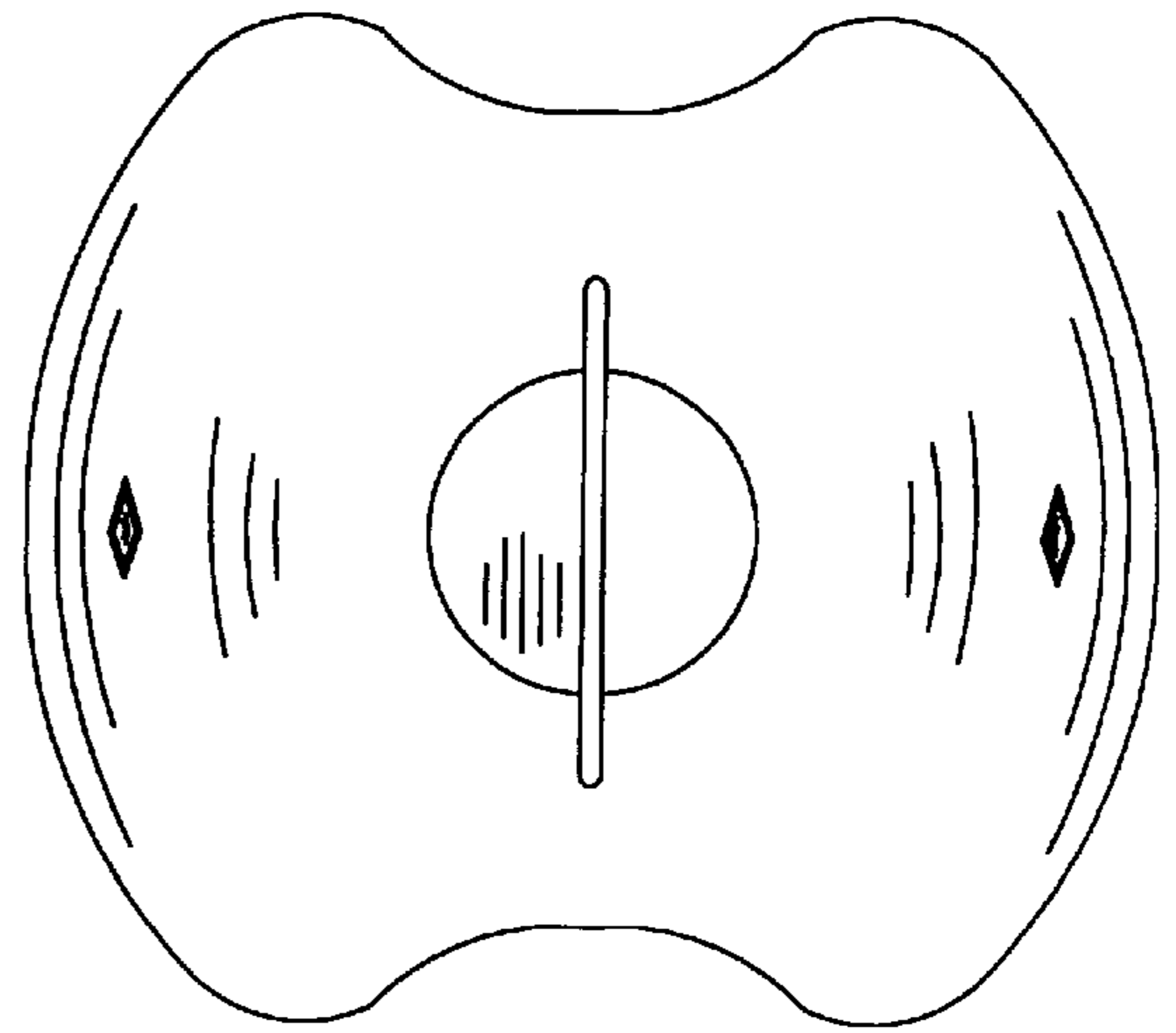


FIG. 2

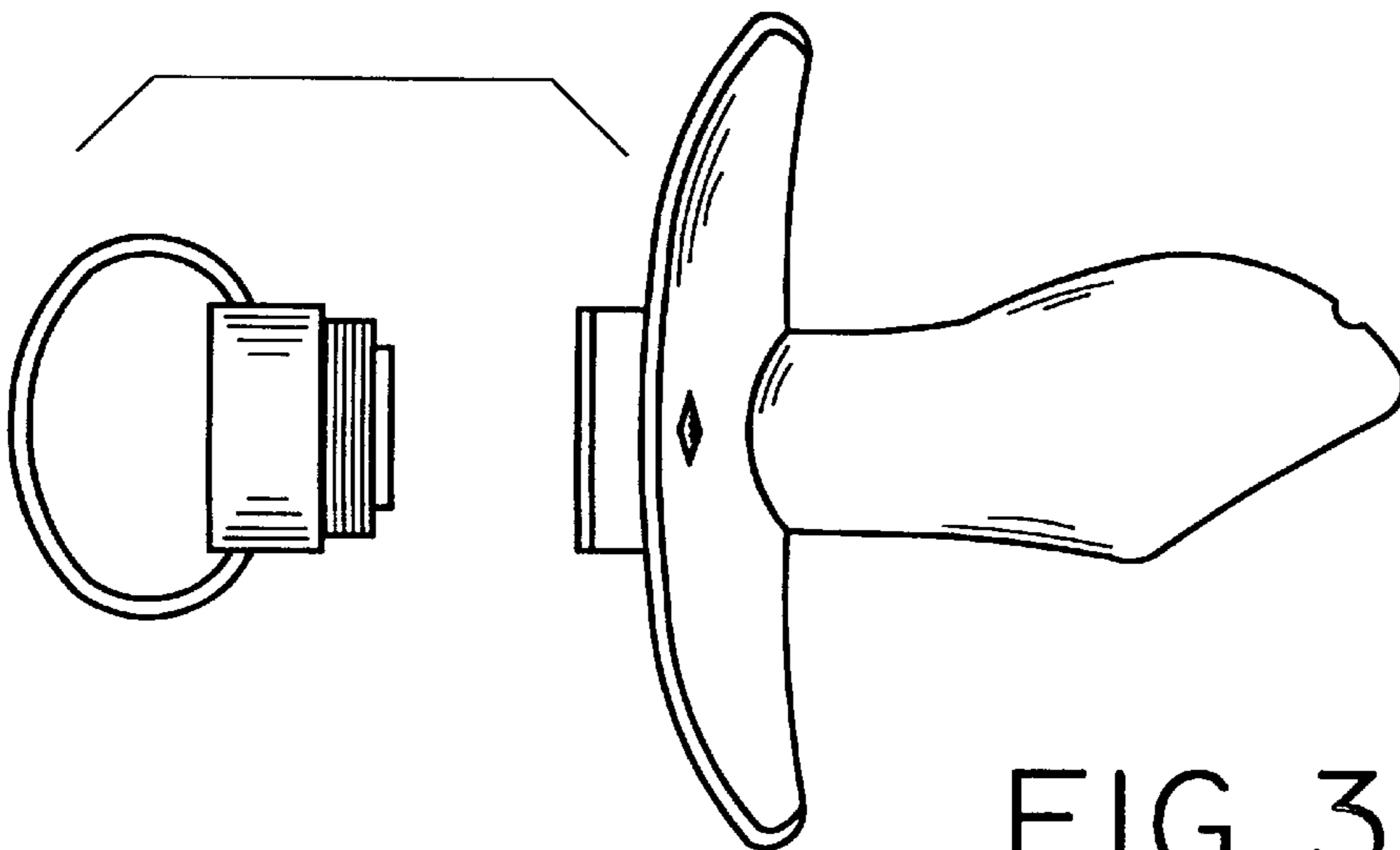


FIG. 3

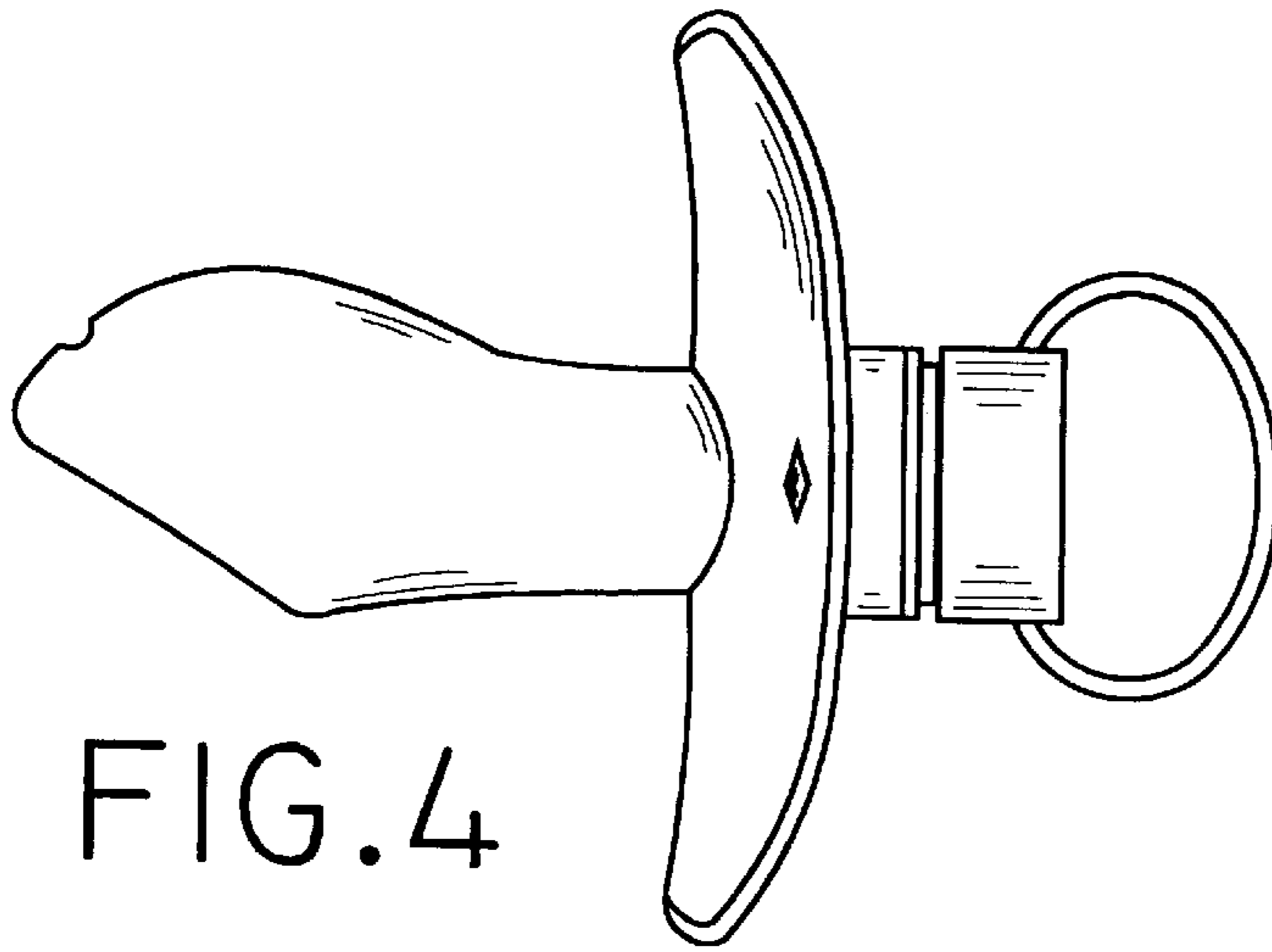


FIG. 4

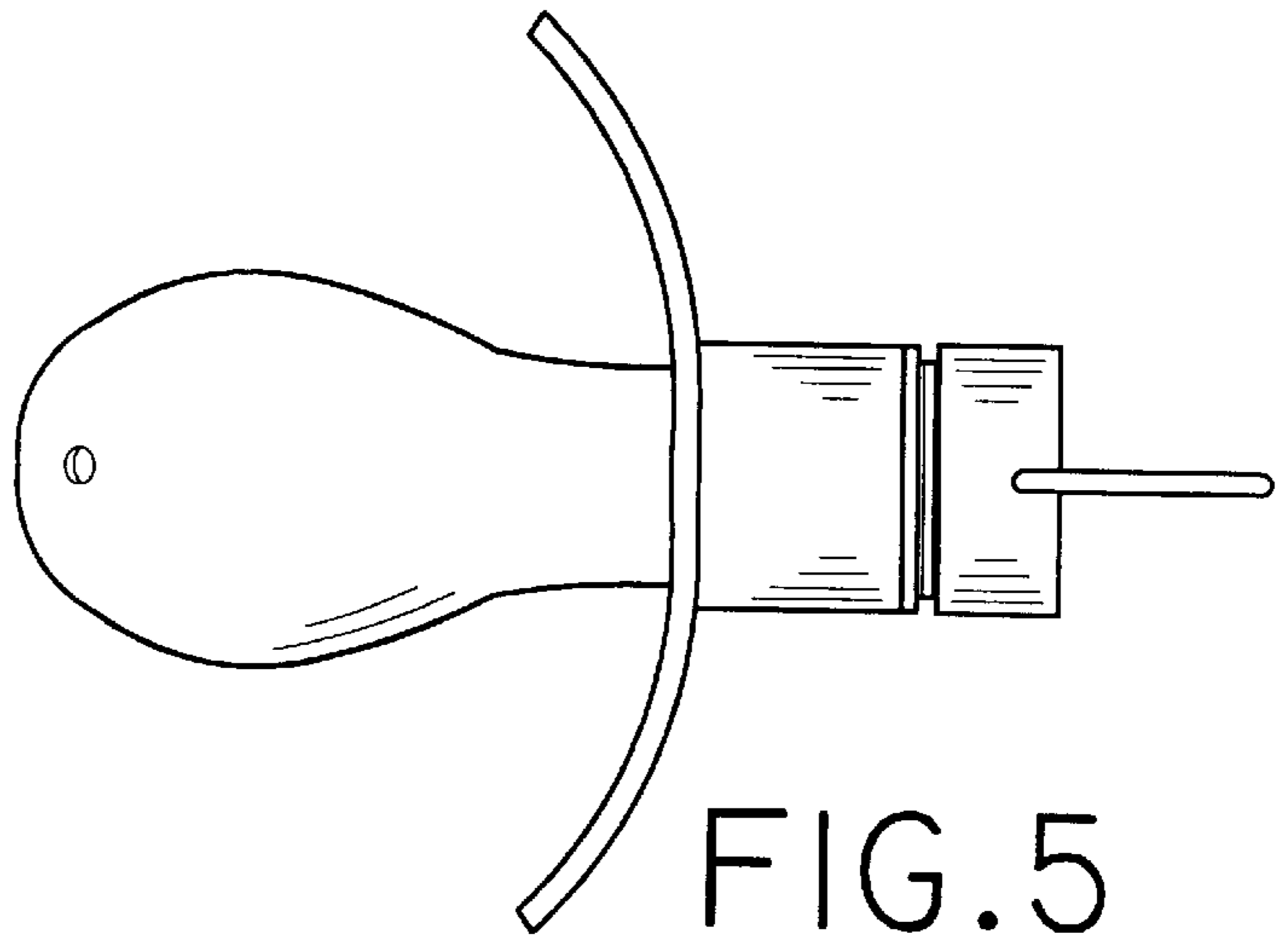


FIG. 5

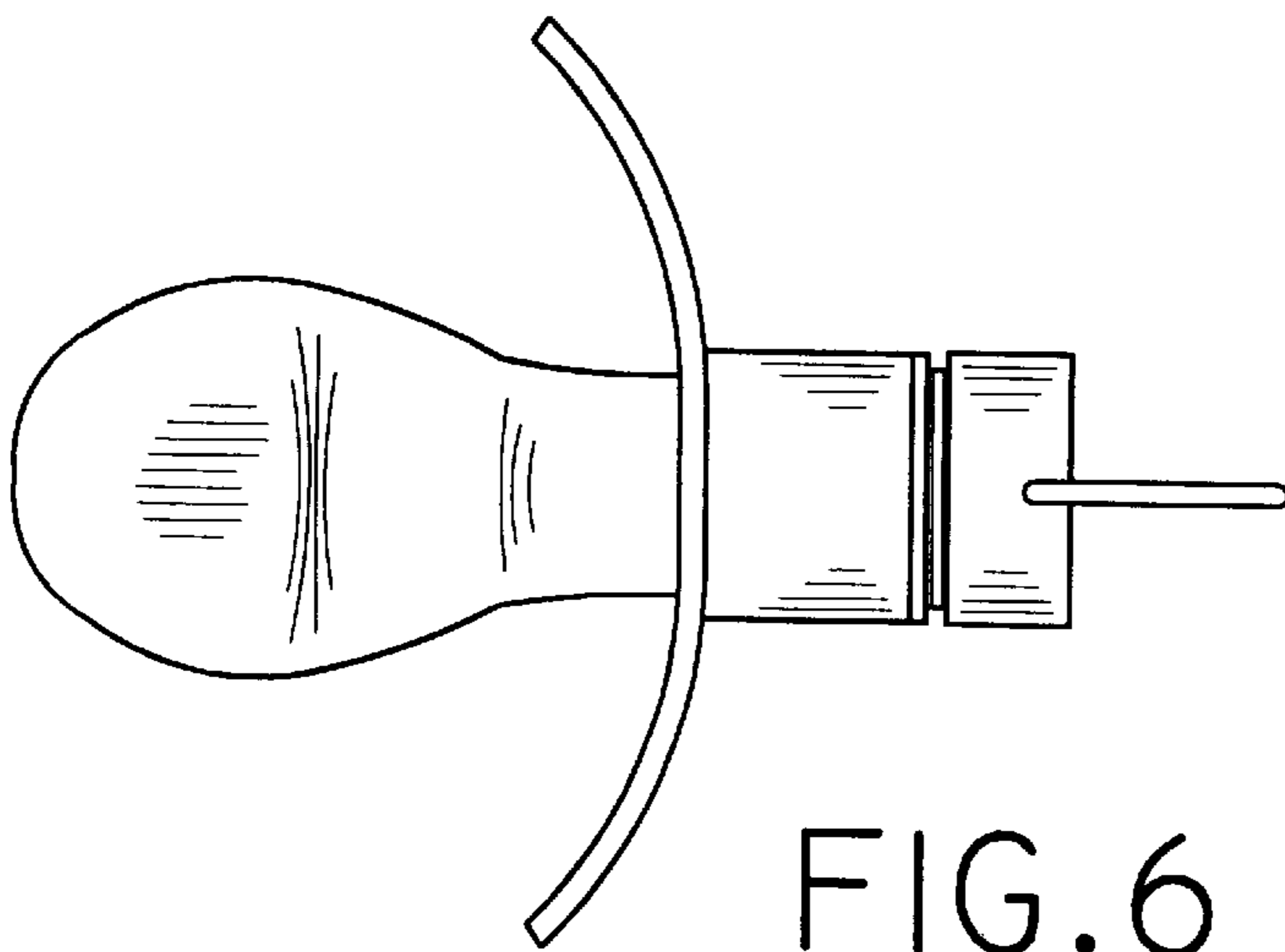


FIG. 6