



US00D418602S

United States Patent [19]

[11] Patent Number: Des. 418,602

Prokop et al.

[45] Date of Patent: ** Jan. 4, 2000

[54] MEASURING INSTRUMENT FOR ANALYSIS OF BLOOD CONSTITUENTS

[75] Inventors: Gary F. Prokop, Wheaton; Joshua P. Goldfarb, Chicago; Randall P. Bell, River Forest, all of Ill.

[73] Assignee: Abbott Laboratories, Abbott Park, Ill.

[**] Term: 14 Years

[21] Appl. No.: 29/065,597

[22] Filed: Jan. 24, 1997

[51] LOC (7) Cl. 24-02

[52] U.S. Cl. D24/169

[58] Field of Search D24/186, 231, D24/216, 232, 185, 167, 169; 606/181, 182, 185, 184; 422/56, 55, 73, 102; 128/770, 771, 635, 763

[56] References Cited

U.S. PATENT DOCUMENTS

D. 371,440	7/1996	Petersen	D24/231
D. 378,612	3/1997	Clark et al.	D24/169
D. 393,313	4/1998	Meisner et al.	D24/169
D. 393,314	4/1998	Meisner et al.	D24/169
4,637,403	1/1987	Garcia et al.	..	
5,029,583	7/1991	Meserol et al.	606/182 X

OTHER PUBLICATIONS

MediSense, Inc., ExacTech® R•S•G™, Blood Glucose Testing System for In Vitro Diagnostic Use, User's Manual, ©1996, Rev. Sep. 1996.

Lifescan, Inc., SureStep™, Complete Blood Glucose Monitoring System, Owner's Booklet, ©1995.

Lifescan, Inc., One Touch® Profile™, Diabetes Tracking System, Owner's Booklet, ©1995.

Miles, Inc., Glucometer Encore™, Diabetes Care System, User Guide, ©1994 Rev. Mar. 1994.

MediSense, Inc., Pen™2 Companion™2 Sensor, Blood Glucose Testing System, User's Manual, ©1992 Rev. Dec. 1992.

Lifescan, Inc., One Touch® Basic™, Blood Glucose Monitoring System, Owner's Booklet, ©1993 Rev. Feb. 1993.

Miles, Inc., Glucometer Elite™, Diabetes Care System, User Guide, ©1993, Rev. Feb. 1993.

MediSense, Inc., Precision Q•I•D™, Blood Glucose Testing System for In Vitro Diagnostic Use, User's Manual, ©1994, Rev. Dec. 1994.

MediSense, Inc., MediSense® 2, Blood Glucose Testing System for In Vitro Diagnostic Use, User's Manual, ©1994, Rev. Dec. 1994.

Boehringer Mannheim Corp., Accu-Chek® Easy™, Blood Glucose Monitoring System, User's Manual, ©1995.

Boehringer Mannheim Corp., Accu-Chek® Instant™, Blood Glucose Monitoring System, User's Manual.

Boehringer Mannheim Corp., Accu-Chek® Advantage™, Blood Glucose Monitor User's Manual.

Primary Examiner—Stella Reid

Assistant Examiner—I. Simmons

Attorney, Agent, or Firm—David L. Weinstein

[57] CLAIM

We claim the ornamental design for a measuring instrument for analysis of blood constituents, as shown and described.

DESCRIPTION

FIG. 1 is a perspective view of a measuring instrument for analysis of blood constituents showing our new design.

FIG. 2 is a perspective view of a measuring instrument for analysis of blood constituents showing our new design, shown in open condition.

FIG. 3 is a front elevational view thereof;

FIG. 4 is a right side elevational view thereof;

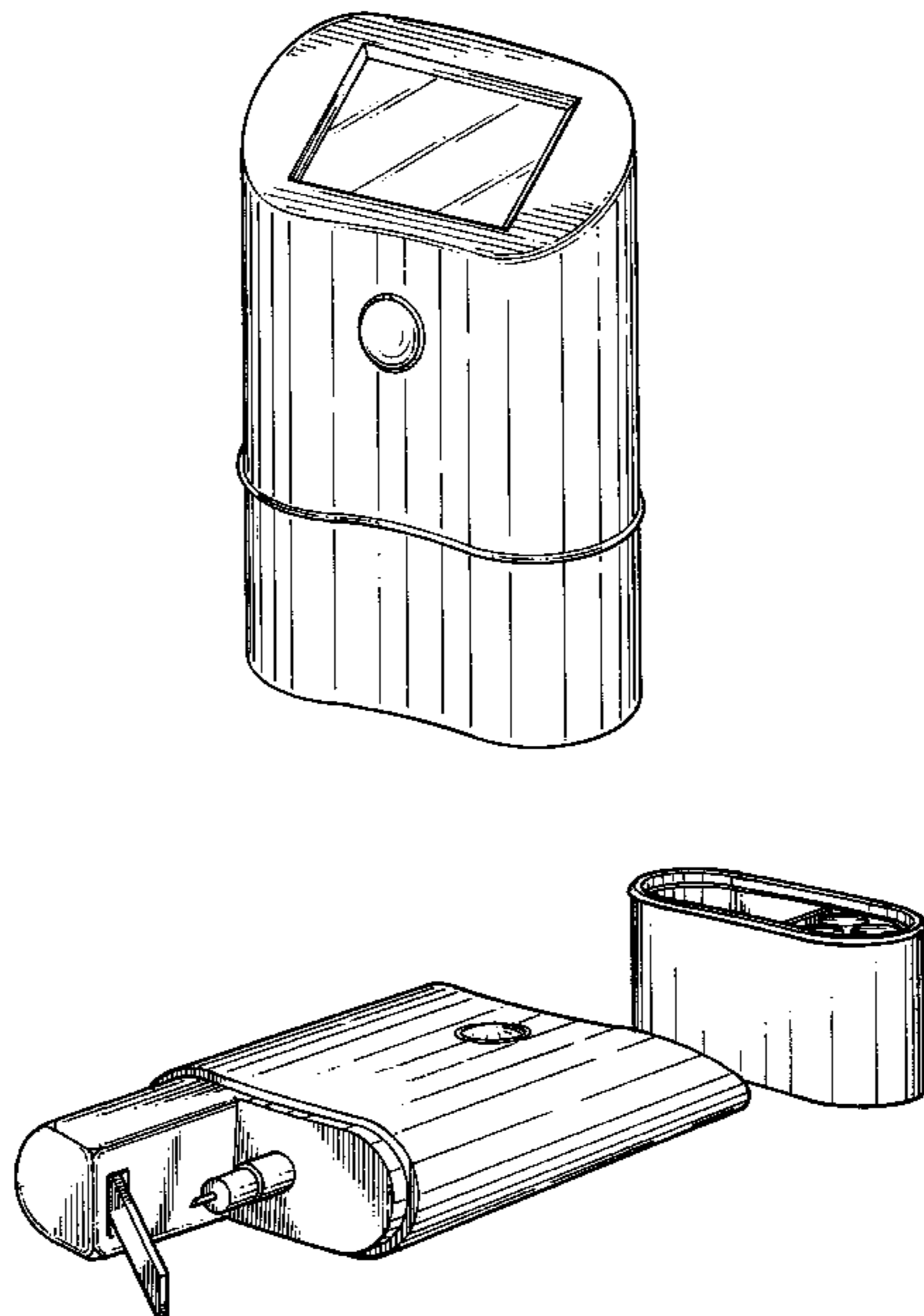
FIG. 5 is a top view thereof;

FIG. 6 is a rear elevational view thereof;

FIG. 7 is a left side elevational view thereof; and,

FIG. 8 is a bottom view thereof.

1 Claim, 4 Drawing Sheets



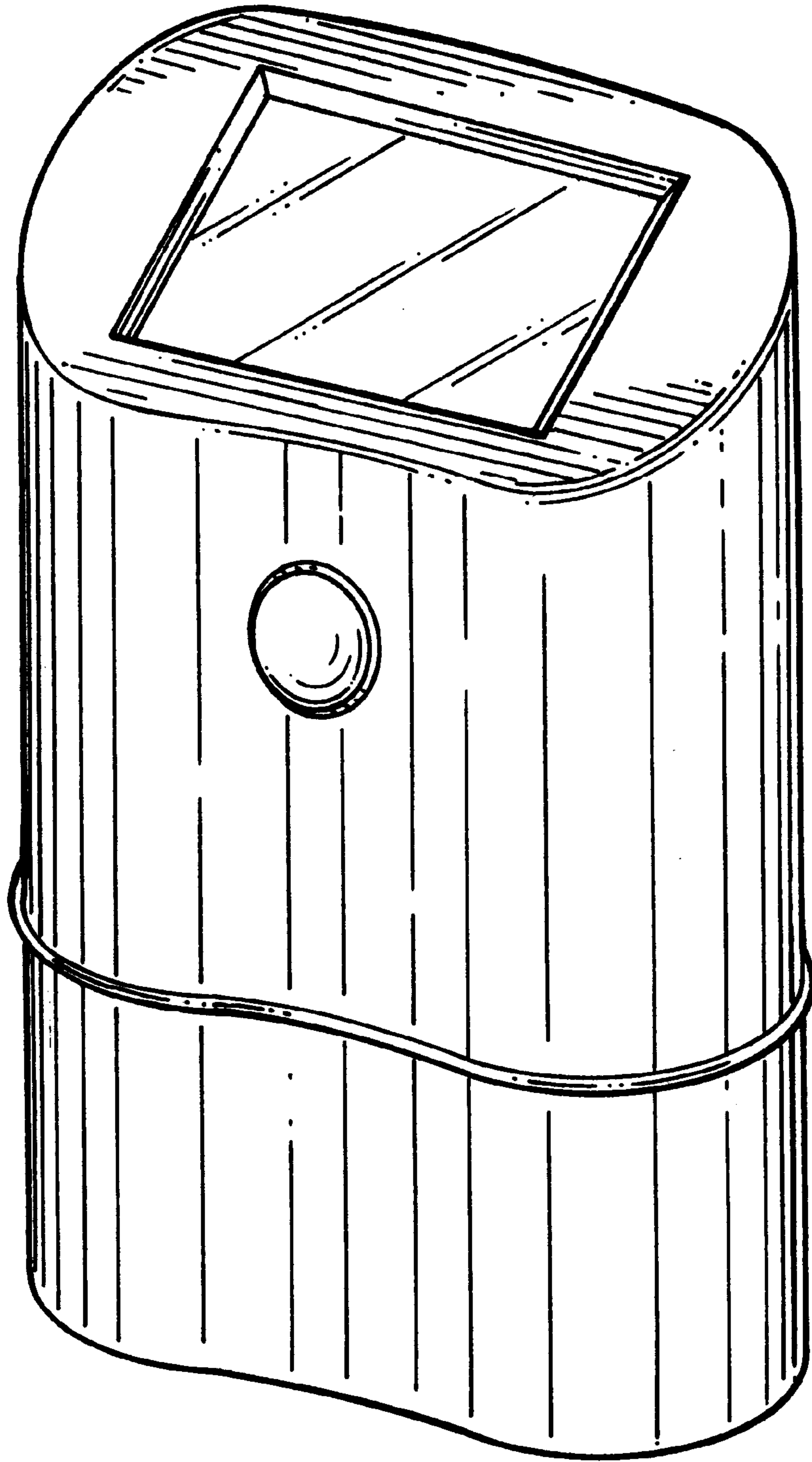


FIG. 1

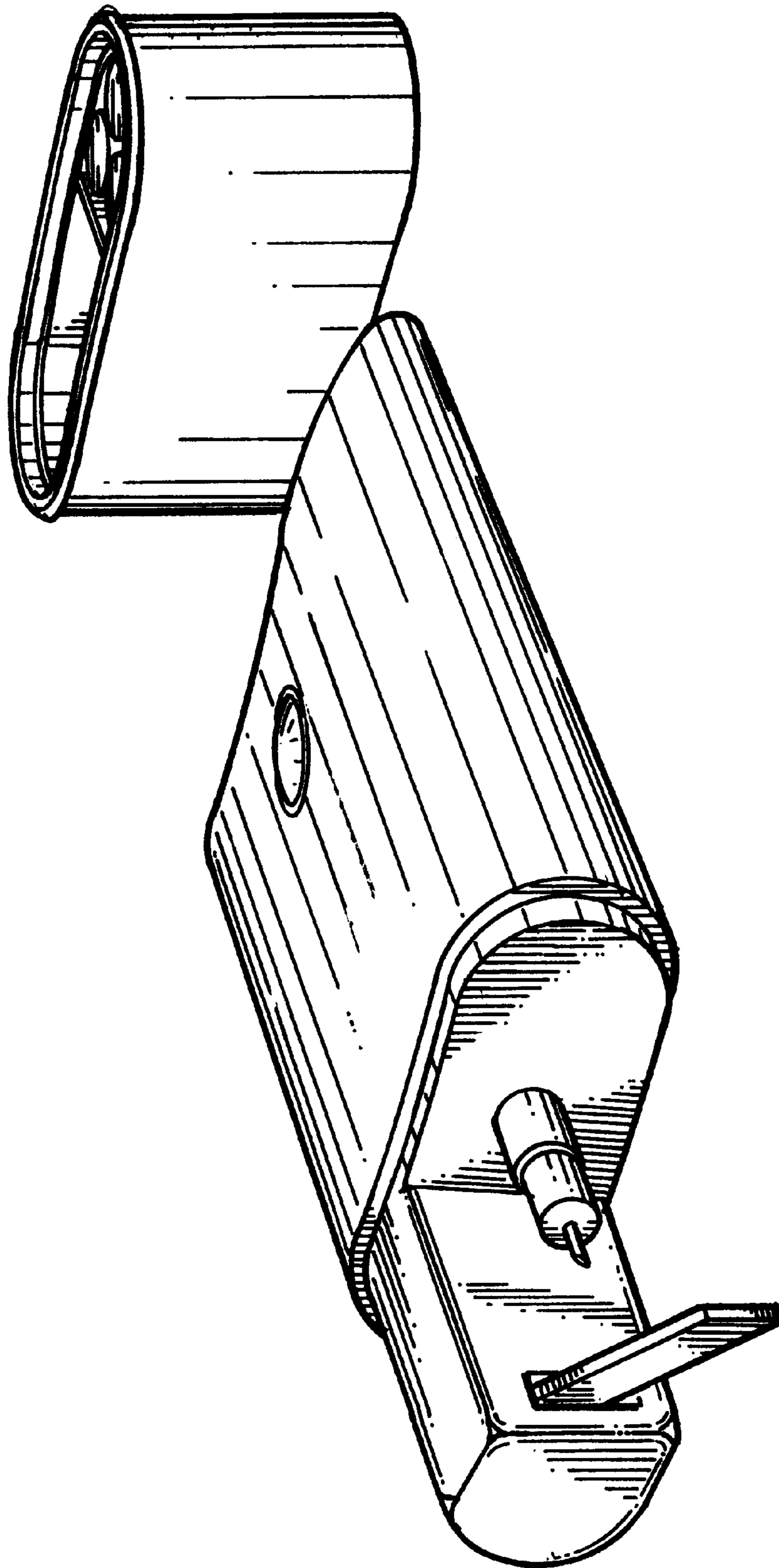


FIG. 2

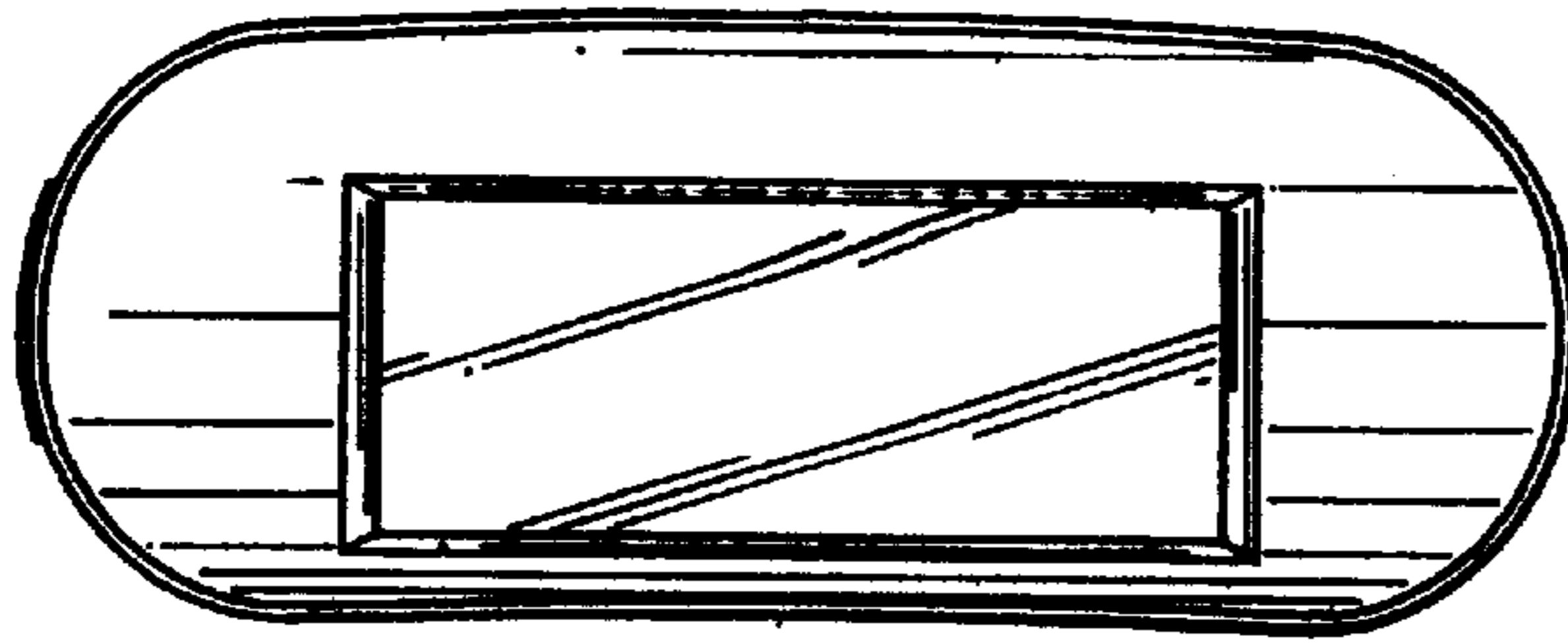


FIG. 5

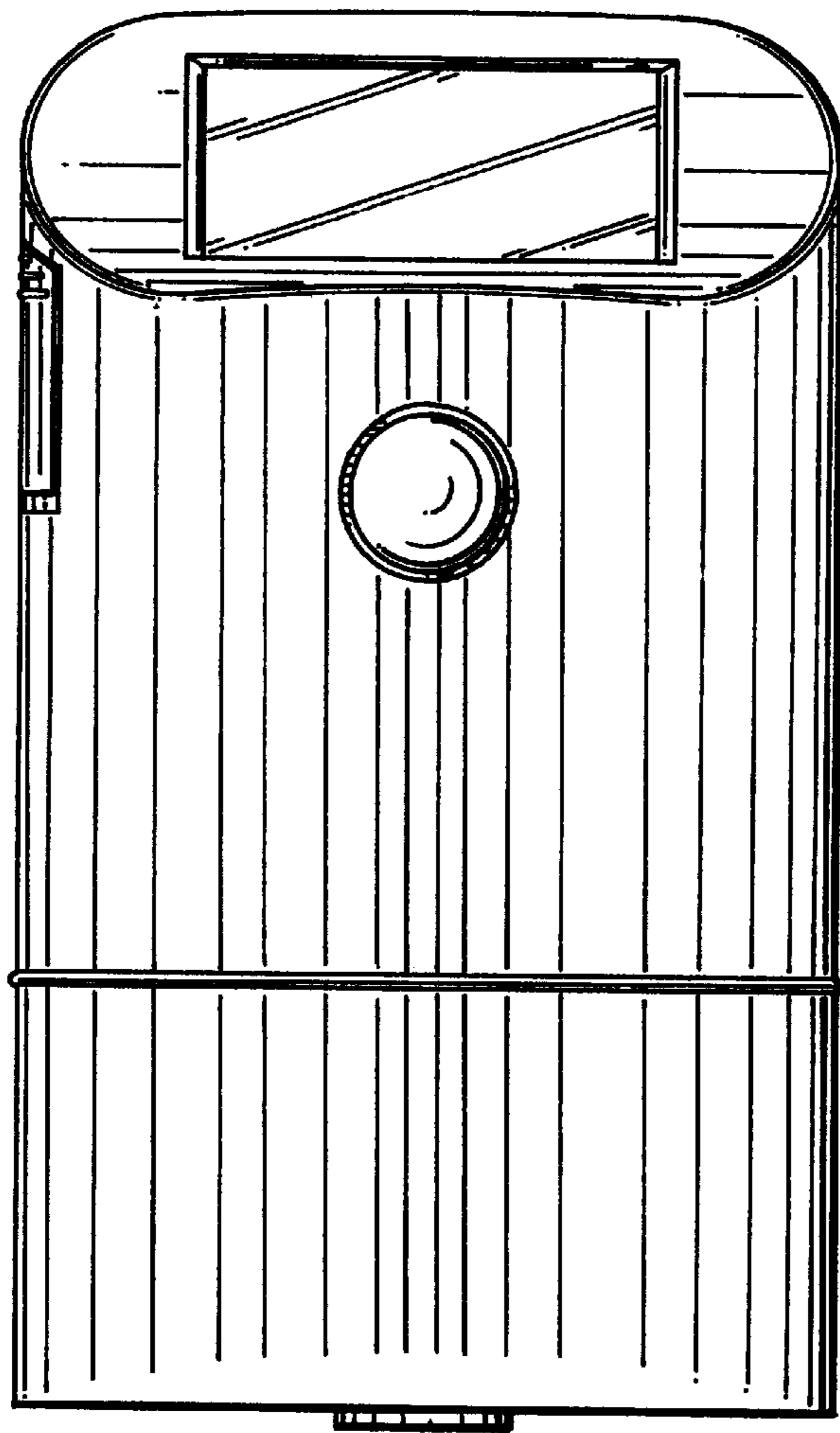


FIG. 3

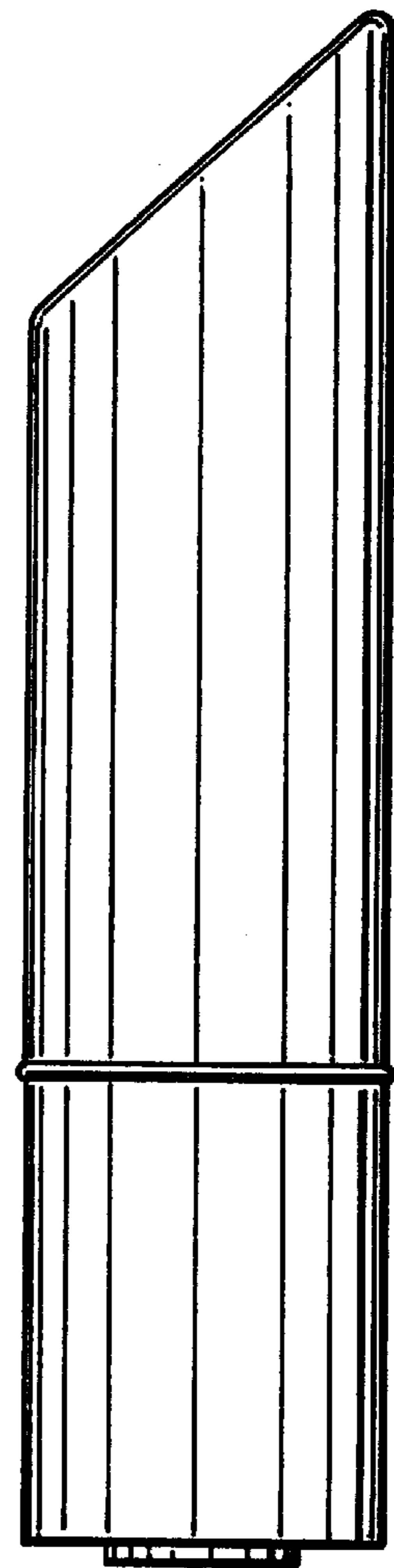


FIG. 4

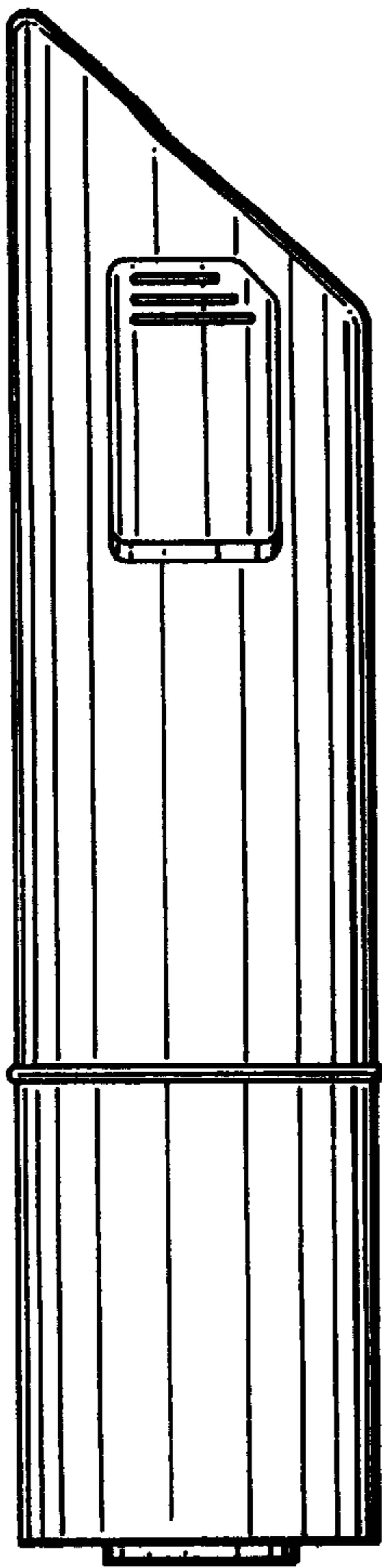


FIG. 7

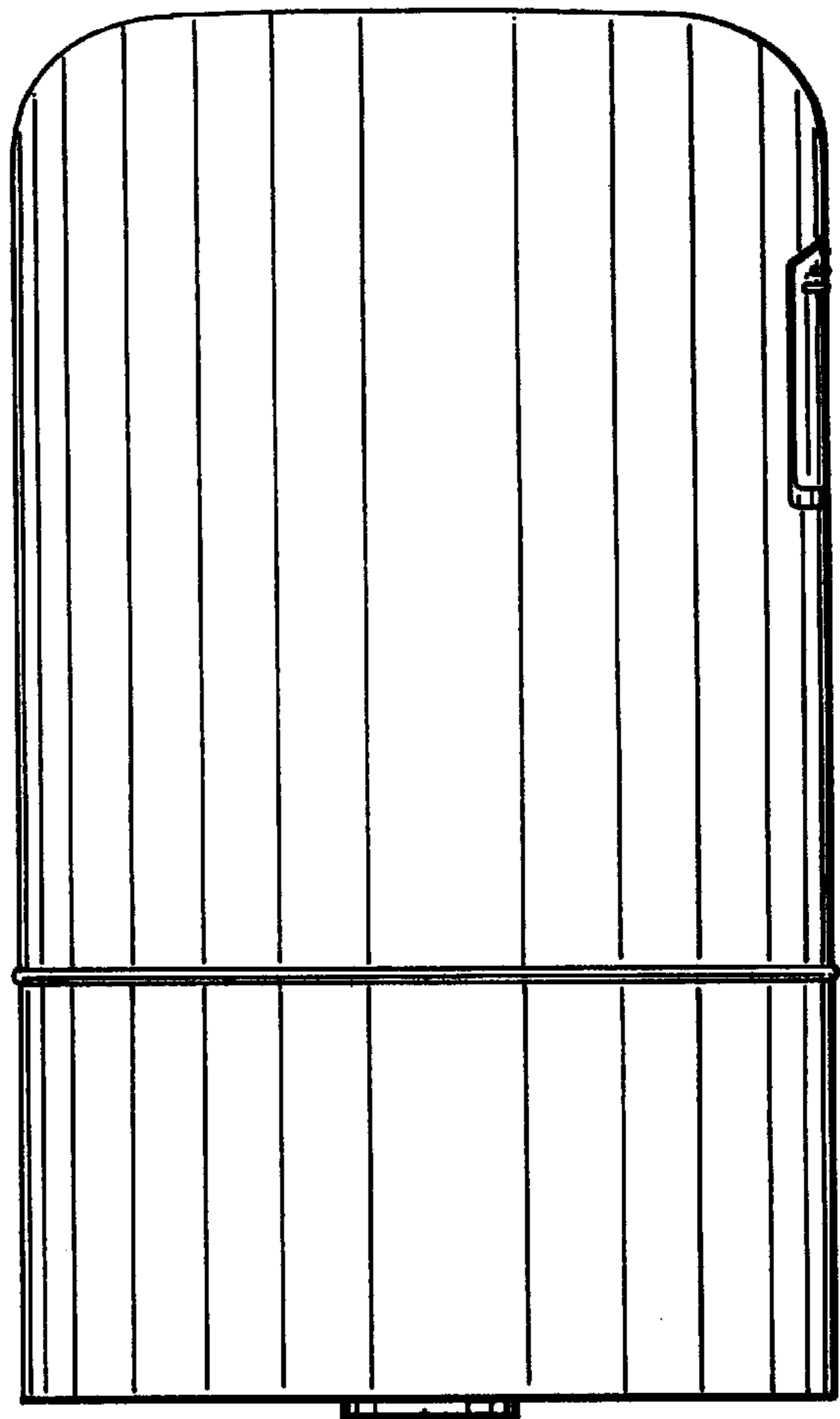


FIG. 6

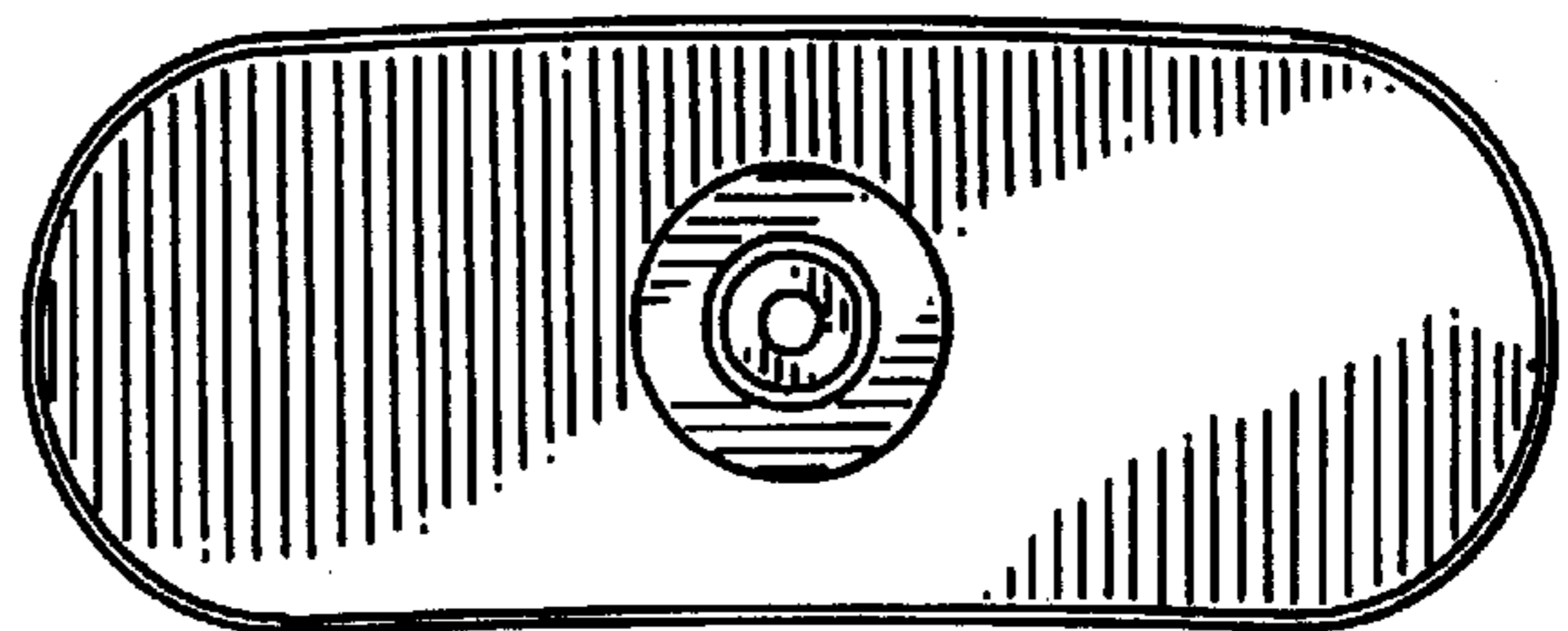


FIG. 8