



US00D418599S

United States Patent [19]

McCombs et al.

[11] Patent Number: **Des. 418,599**

[45] Date of Patent: **** Jan. 4, 2000**

[54] **OXYGEN FLOW CONTROLLER**

[75] Inventors: **Norman R. McCombs**, Tonawanda;
James A. Alessi, Leroy; **Michael A. Chimiak**, Williamsville, all of N.Y.

[73] Assignee: **AirSep Corporation**, Buffalo, N.Y.

[**] Term: **14 Years**

[21] Appl. No.: **29/095,582**

[22] Filed: **Oct. 27, 1998**

[51] **LOC (7) Cl.** **29-02**

[52] **U.S. Cl.** **D24/110.6**

[58] **Field of Search** D24/110.6, 129;
128/204.22, 200.21, 205.11, 205.24, 204.13,
204.23

[56] **References Cited**

U.S. PATENT DOCUMENTS

D. 382,053 8/1997 Pellerito D24/110.6
4,984,404 1/1991 Stone 128/204.22

5,348,001 9/1994 Danon 128/205.24
5,584,289 12/1996 Wise 128/205.24
5,755,224 5/1998 Good et al. 128/205.24

Primary Examiner—Stella Reid
Assistant Examiner—I Simmons
Attorney, Agent, or Firm—Jaeckle Fleischmann & Mugel, LLP

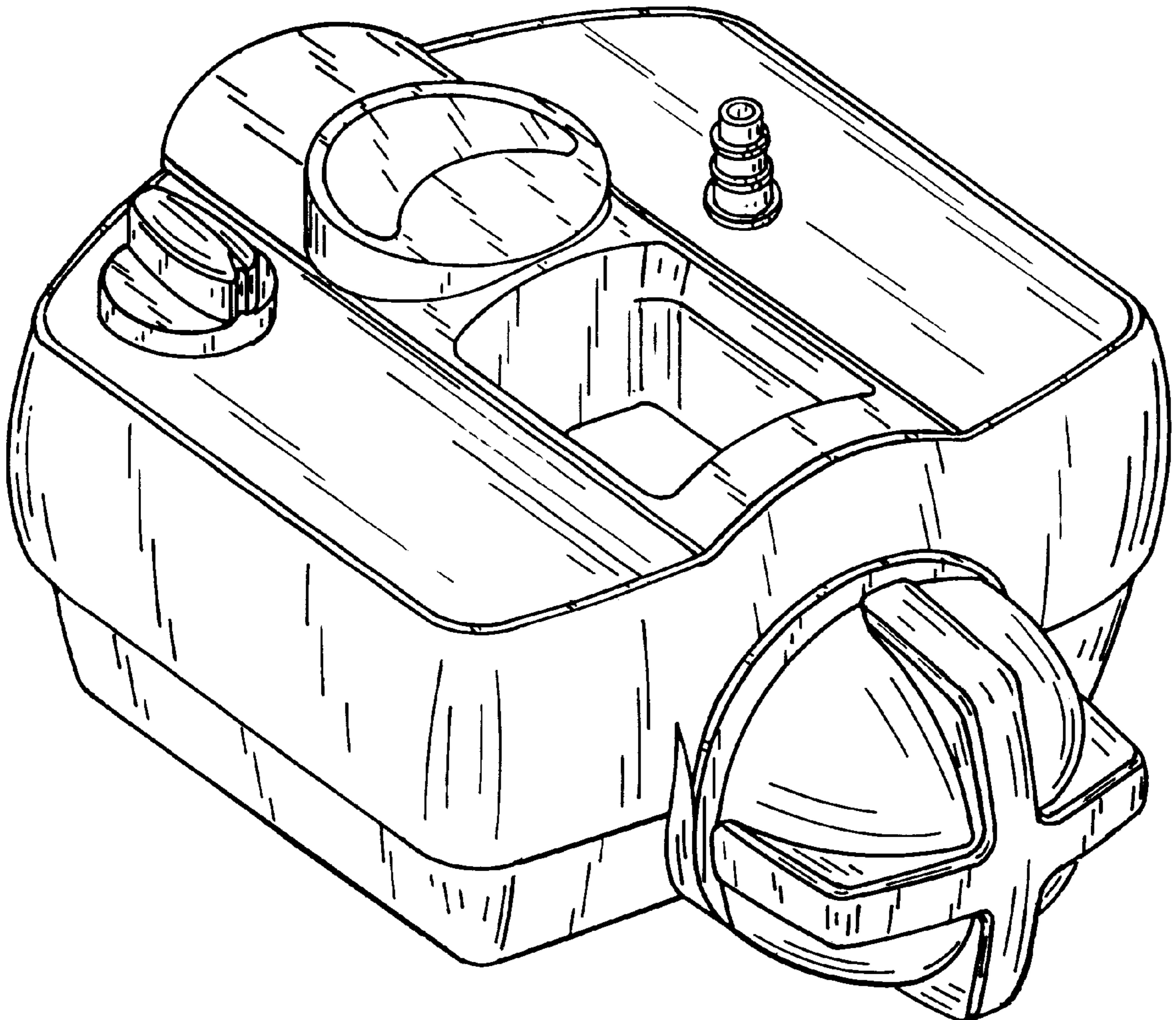
[57] **CLAIM**

An ornamental design for an oxygen flow controller, as shown and described.

DESCRIPTION

FIG. 1 is a perspective view as seen from the top, front and left side;
FIG. 2 is a perspective view as seen from the top, rear and left side;
FIG. 3 is a front view;
FIG. 4 is a rear view;
FIG. 5 is a left side elevational view; and,
FIG. 6 is a bottom view.

1 Claim, 3 Drawing Sheets



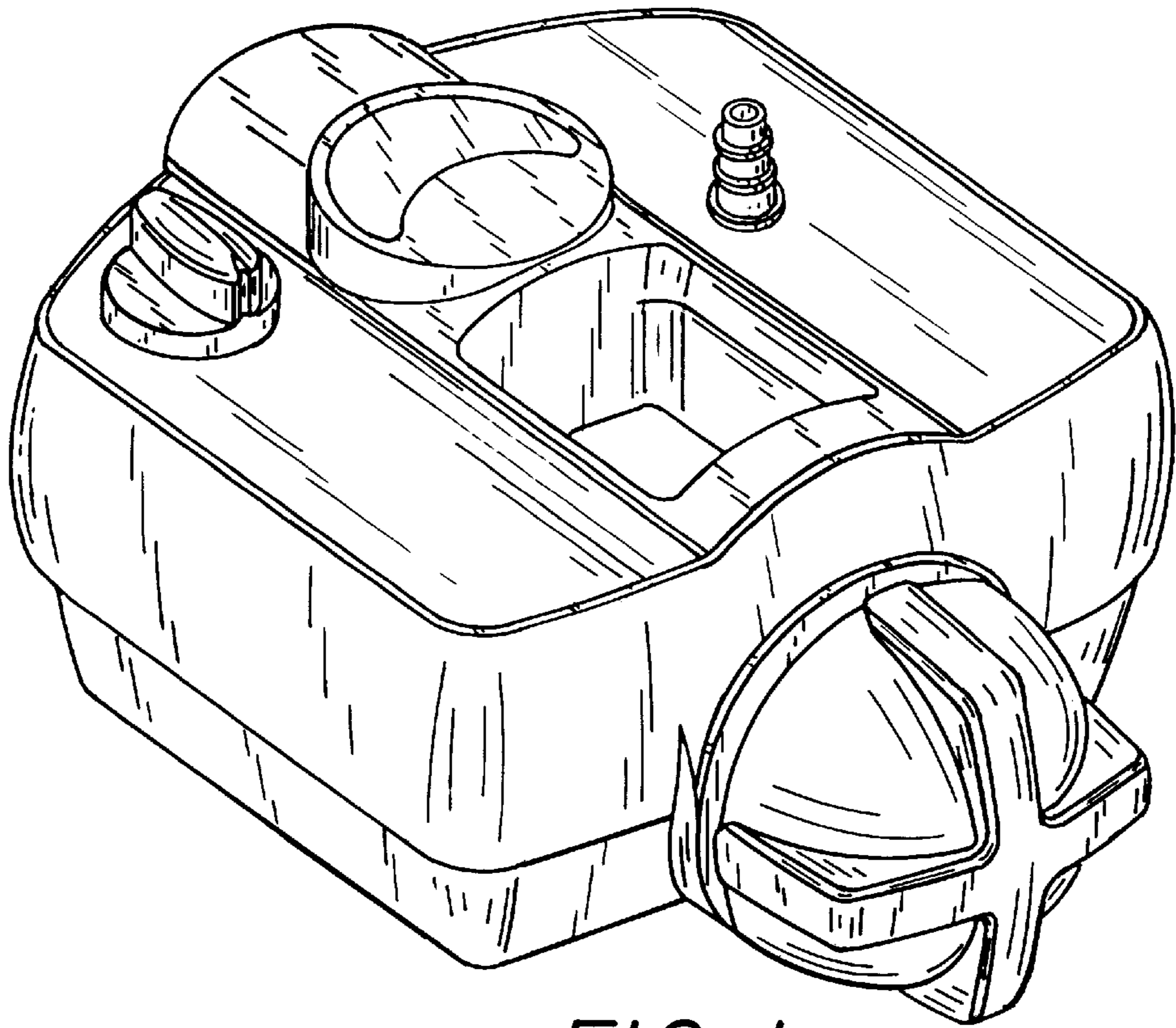


FIG. 1

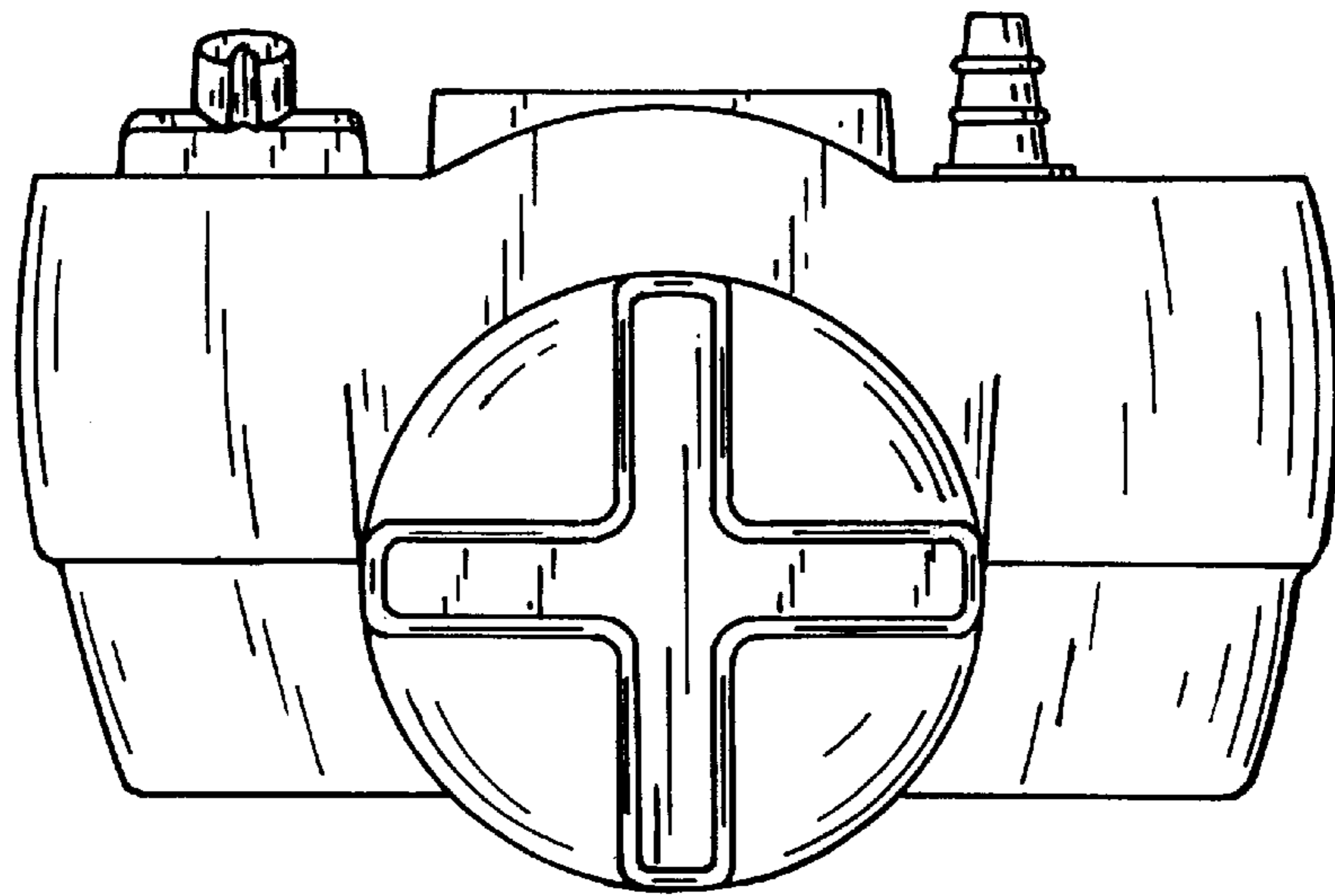


FIG. 3

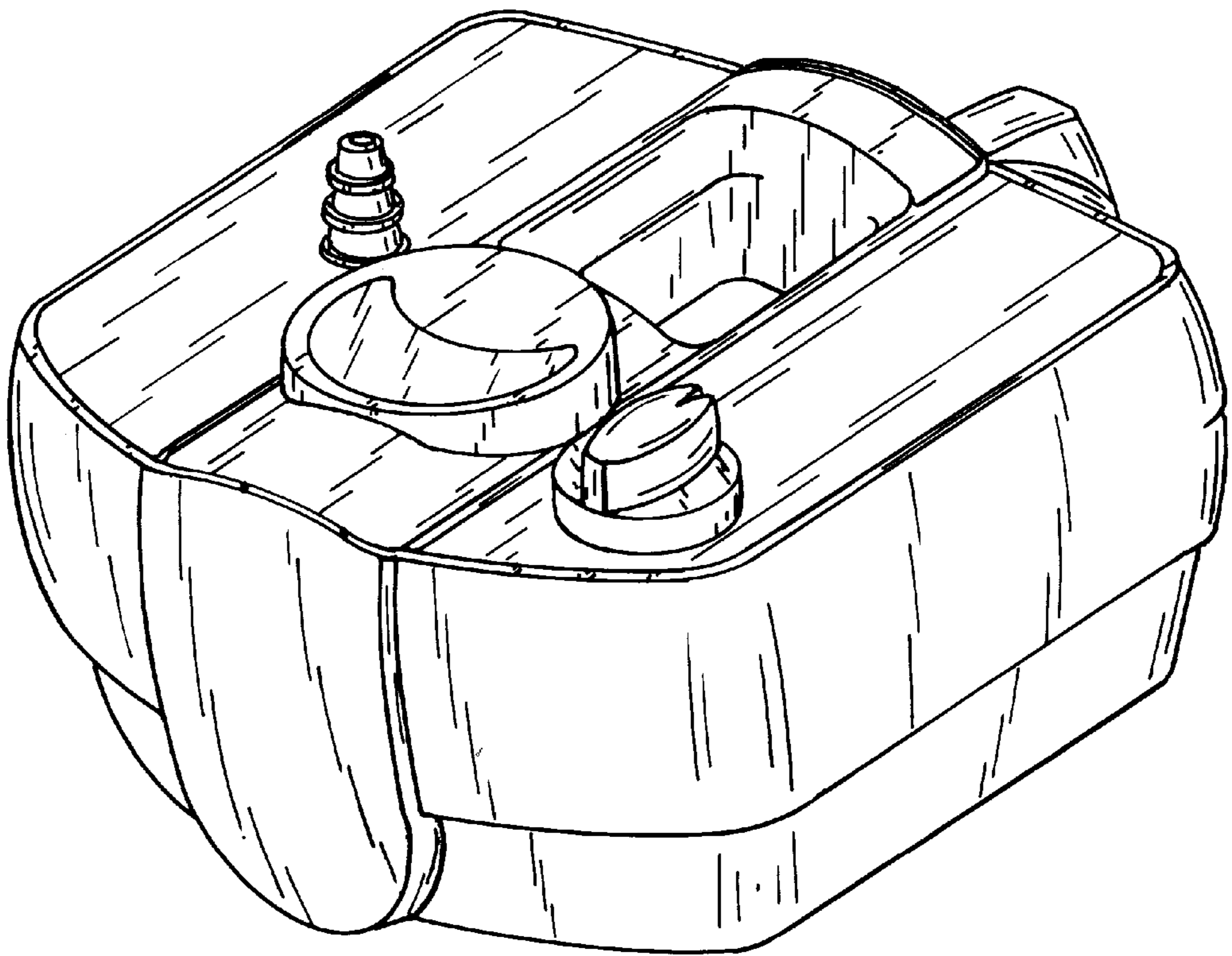


FIG. 2

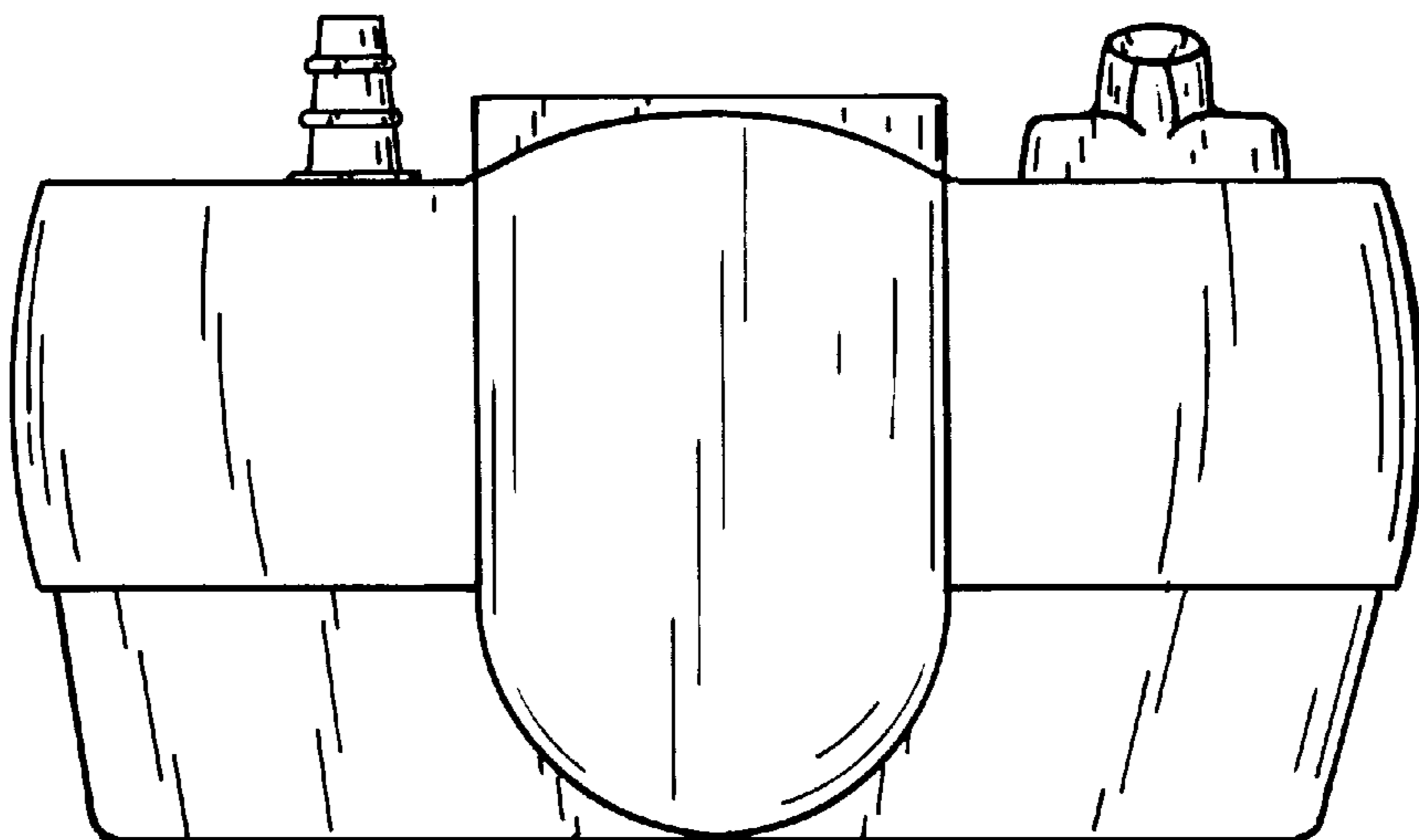


FIG. 4

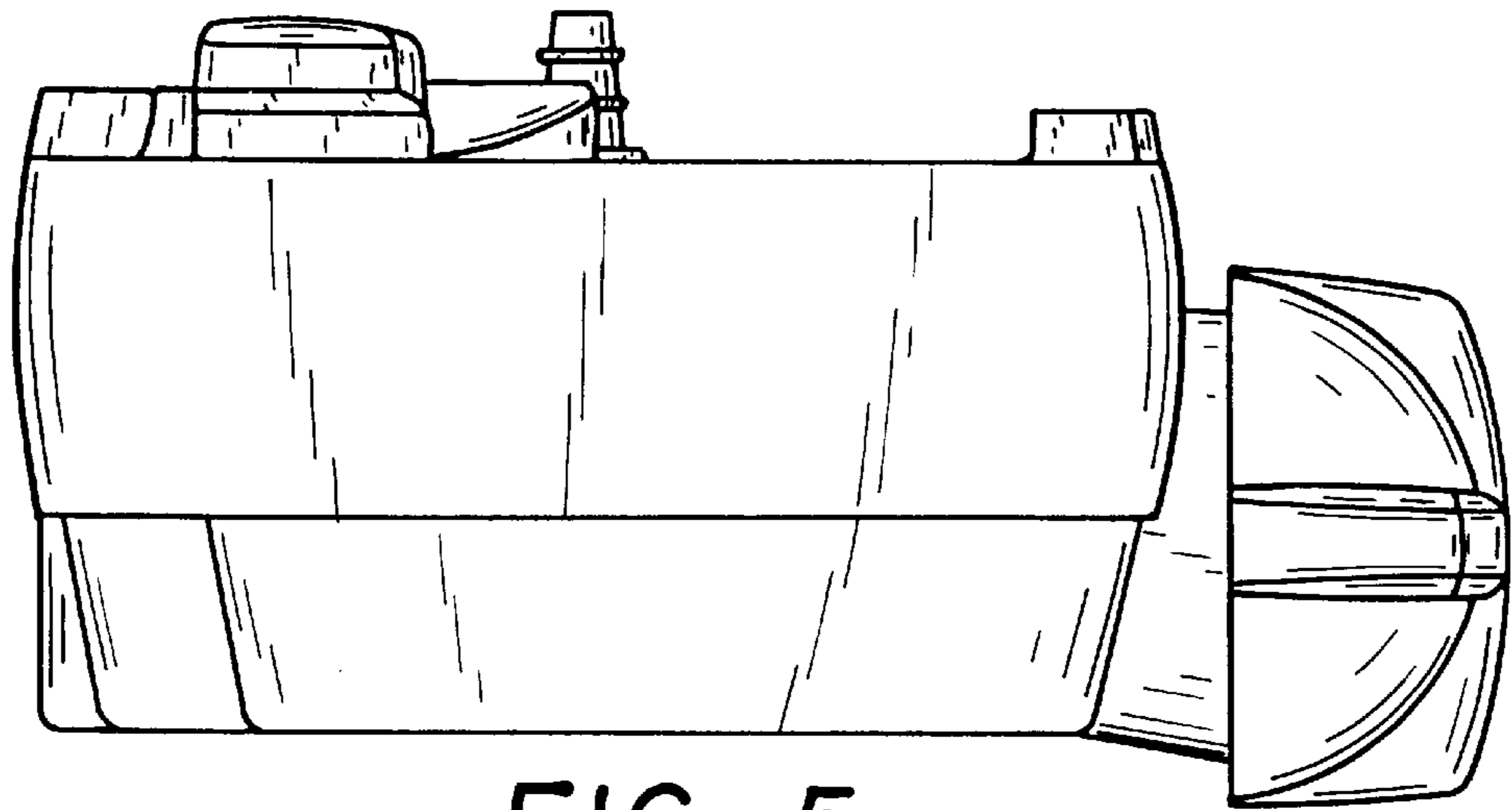


FIG. 5

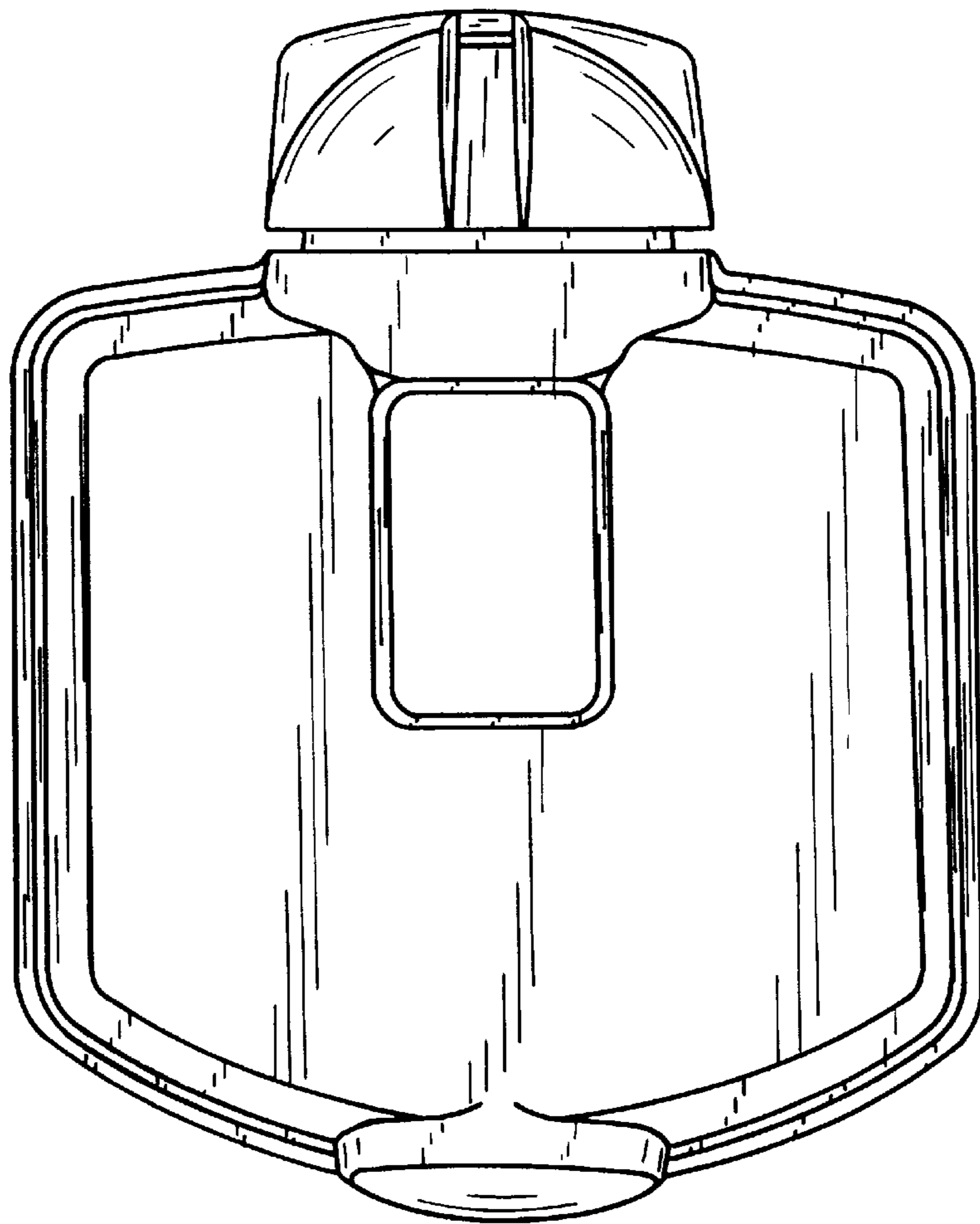


FIG. 6