



US00D418596S

# United States Patent [19]

[11] **Patent Number: Des. 418,596**

**Doms et al.**

[45] **Date of Patent: \*\* Jan. 4, 2000**

- [54] **EXTERIOR HOUSING FOR AN ANALYTICAL INSTRUMENT**
- [75] Inventors: **Lutz Doms**, Port Chester, N.Y.; **Julian Schlagheck**, Munich, Germany
- [73] Assignee: **Bayer Corporation**, Tarrytown, N.Y.
- [\*\*] Term: **14 Years**
- [21] Appl. No.: **29/090,681**
- [22] Filed: **Jul. 14, 1998**
- [51] **LOC (7) Cl.** ..... **24-01**
- [52] **U.S. Cl.** ..... **D24/107; D24/231; D24/232**
- [58] **Field of Search** ..... **D24/231, 232, D24/107, 186, 185; D10/75, 81; D14/102, 103; 422/64, 62, 66, 65, 63**

*Primary Examiner*—Stella Reid  
*Assistant Examiner*—I Simmons  
*Attorney, Agent, or Firm*—Orrick, Herrington & Sutcliffe LLP

## [57] CLAIM

The ornamental design for an exterior housing for an analytical instrument, as shown and described.

## DESCRIPTION

FIG. 1 is a perspective view of an exterior housing for an analytical instrument showing our new design, the broken line showing is for illustrative purposes only and forms no part of the claimed design.

FIG. 2 is a perspective view similar to FIG. 1 except without the additional features shown in phantom;

FIG. 3 is a front view of the instrument shown in FIG. 2;

FIG. 4 is a left view of the instrument shown in FIG. 2;

FIG. 5 is a right view of the instrument shown in FIG. 2;

FIG. 6 is a top view of the instrument shown in FIG. 2; and,

FIG. 7 is a rear view of the instrument shown in FIG. 2.

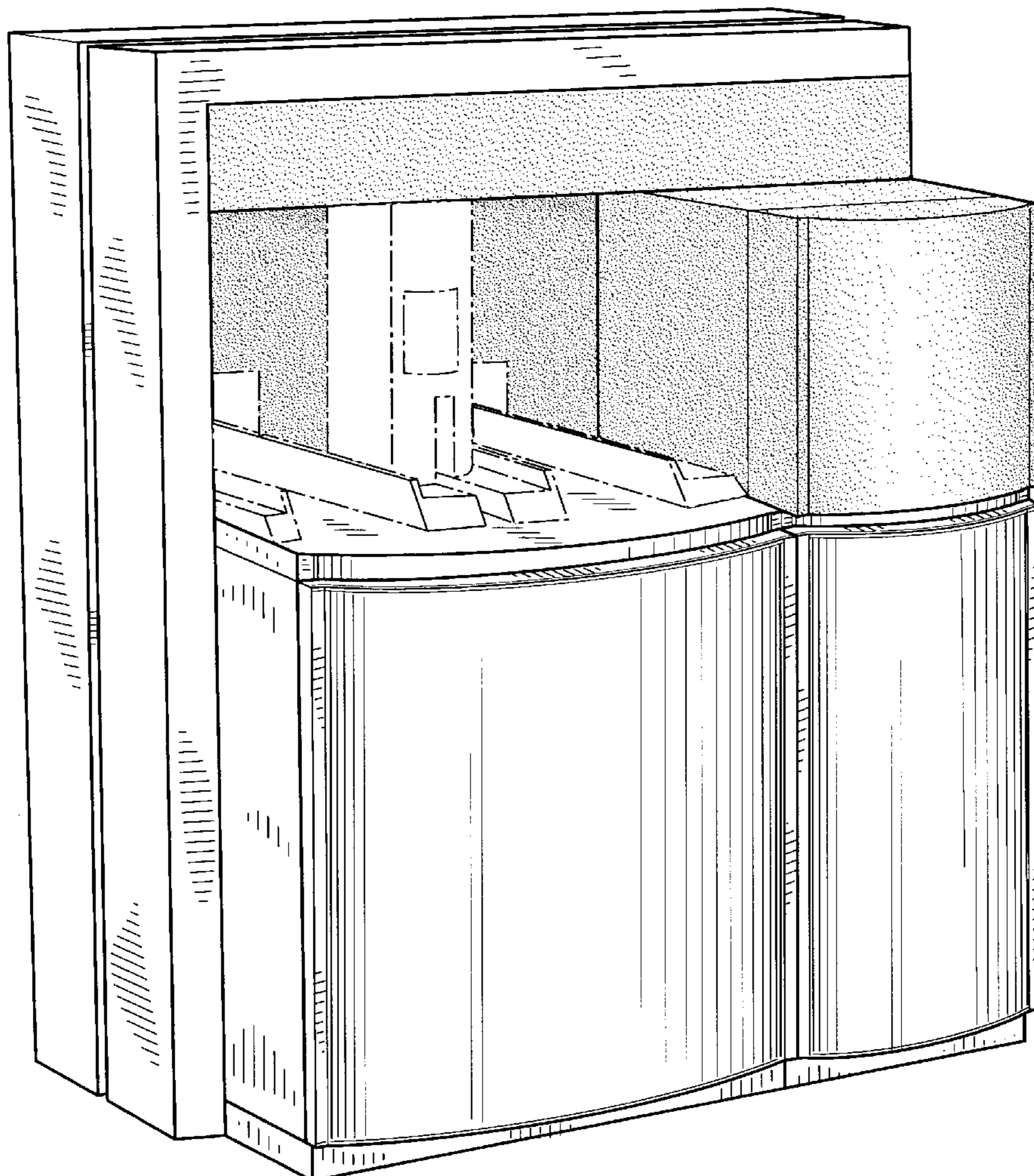
The bottom of the exterior housing for an analytical instrument forms no part of the claimed design.

## [56] References Cited

### U.S. PATENT DOCUMENTS

D. 304,307	10/1989	Nagai et al.	.....	D24/232	X
D. 399,964	10/1998	Katayama et al.	.....	D24/232	X
5,665,315	9/1997	Robert et al.	.....	422/63	X

**1 Claim, 6 Drawing Sheets**



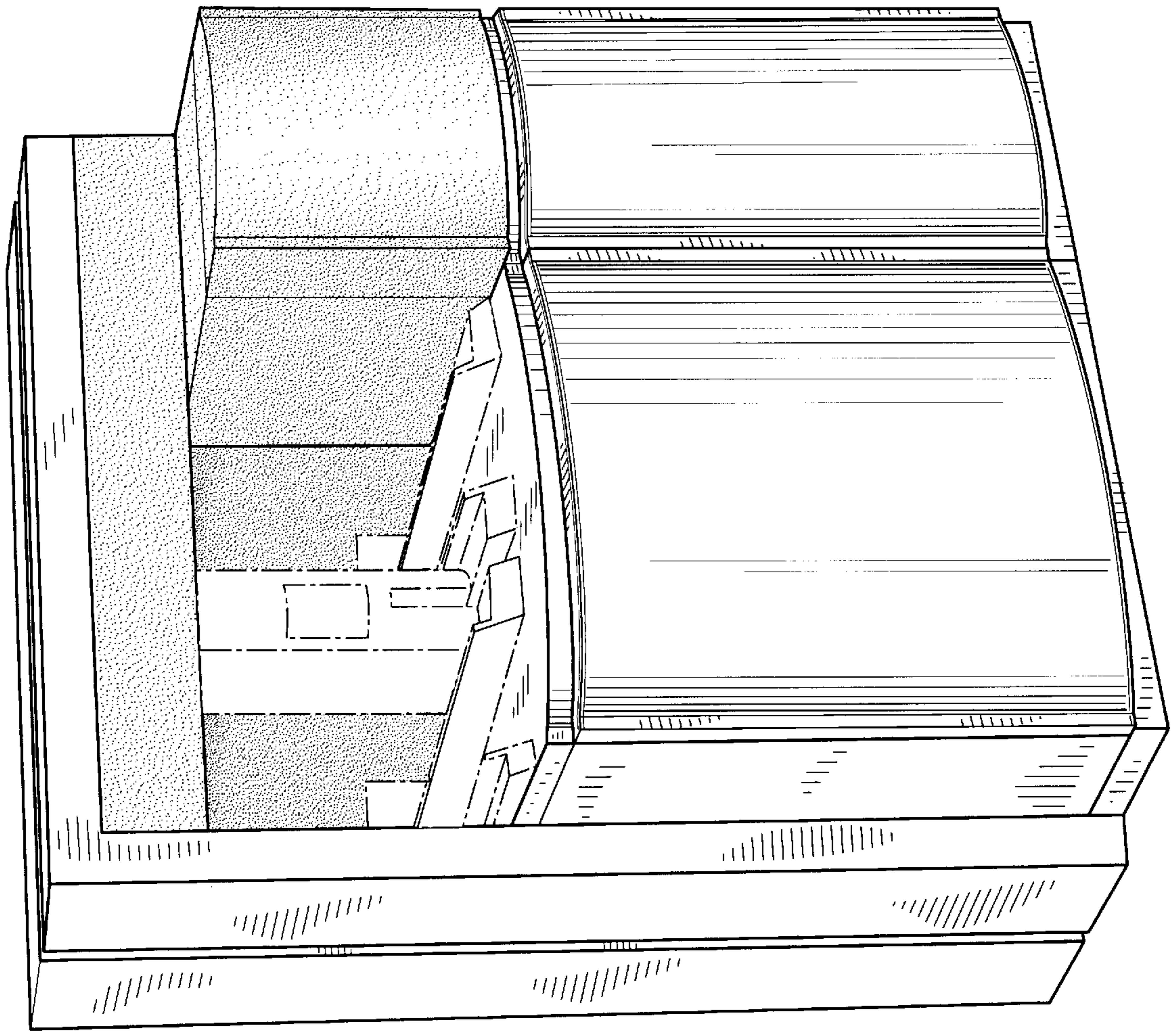


FIG. 1



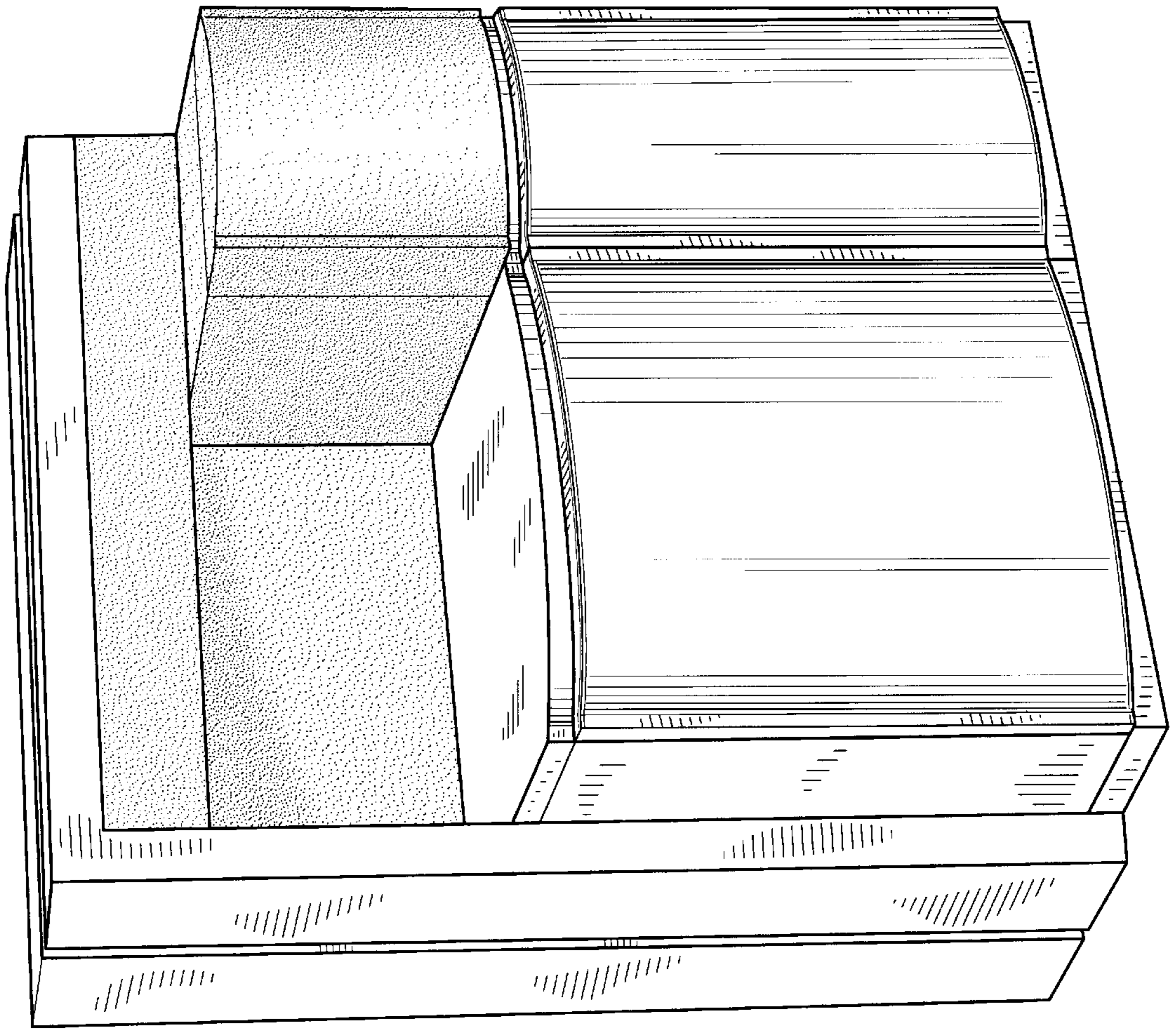


FIG. 2

FIG. 3

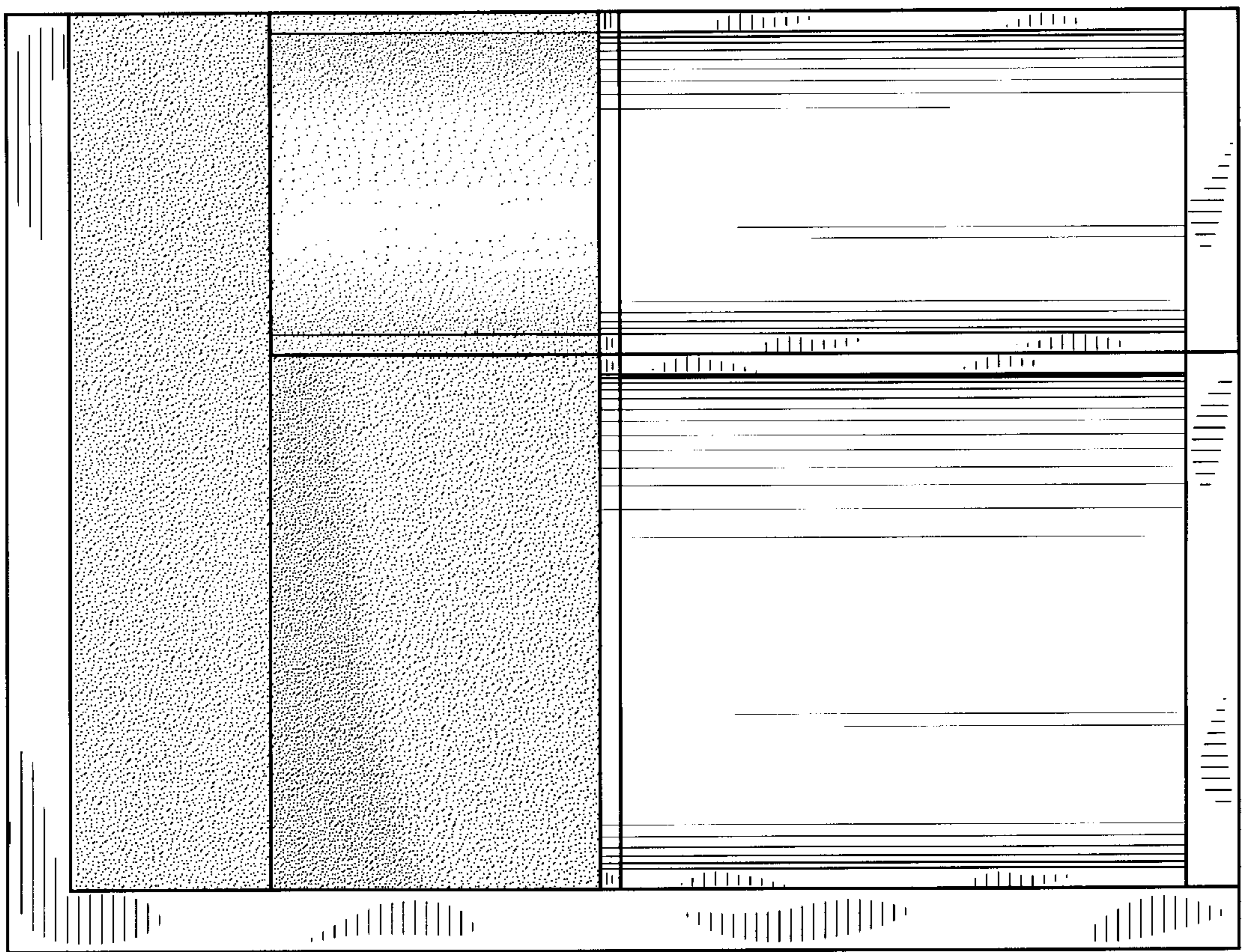


FIG. 5

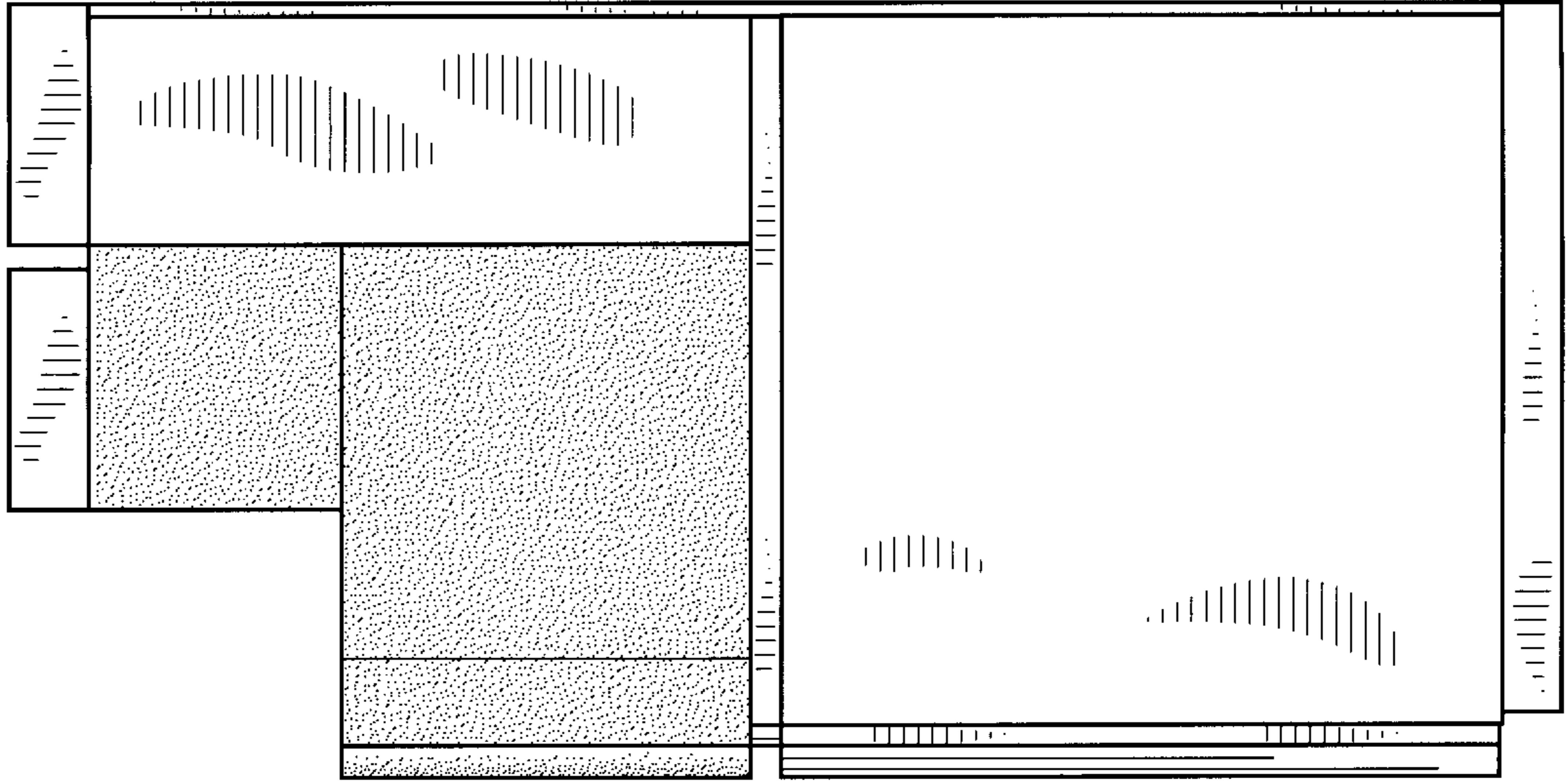


FIG. 4

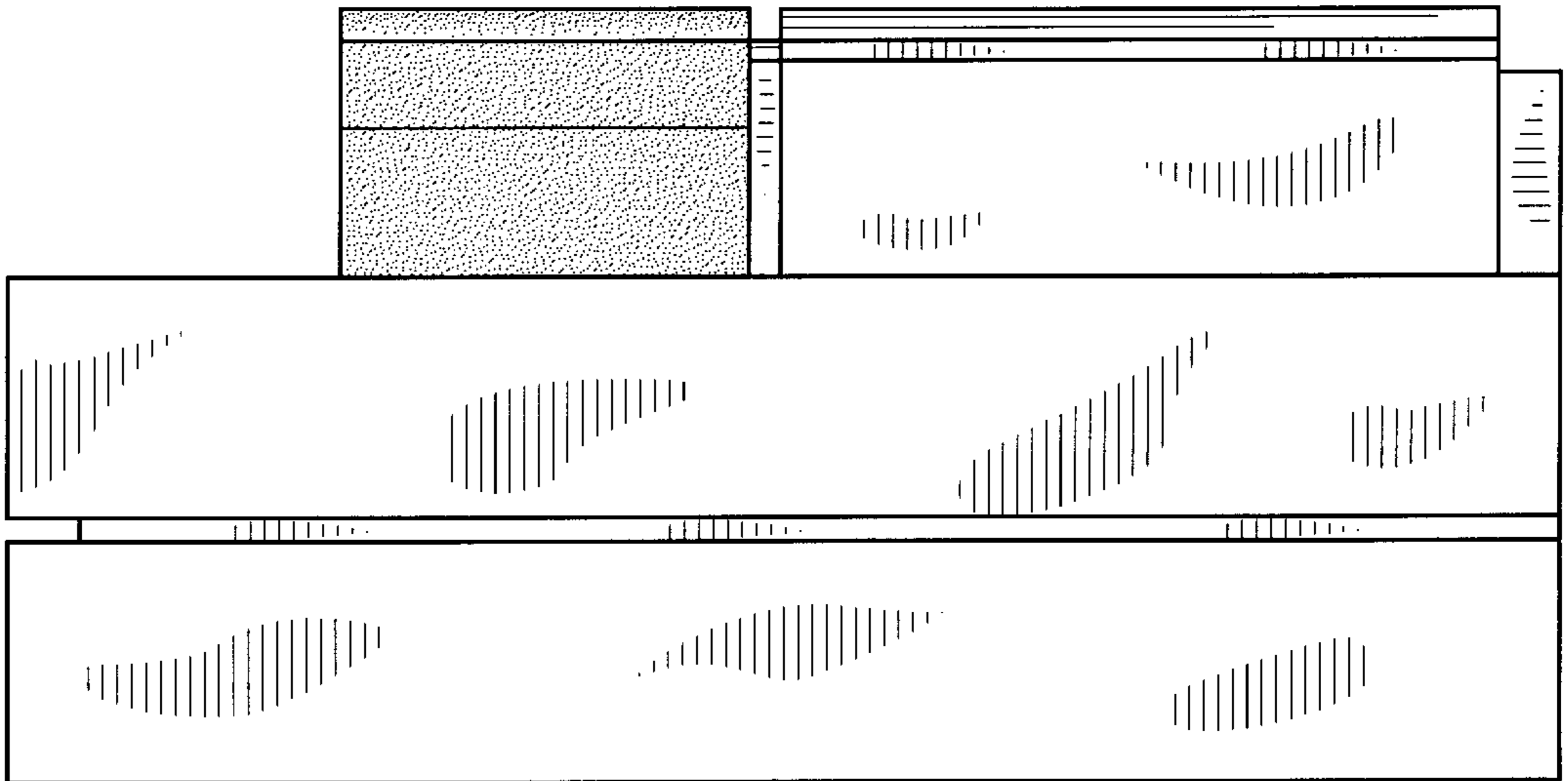


FIG. 6

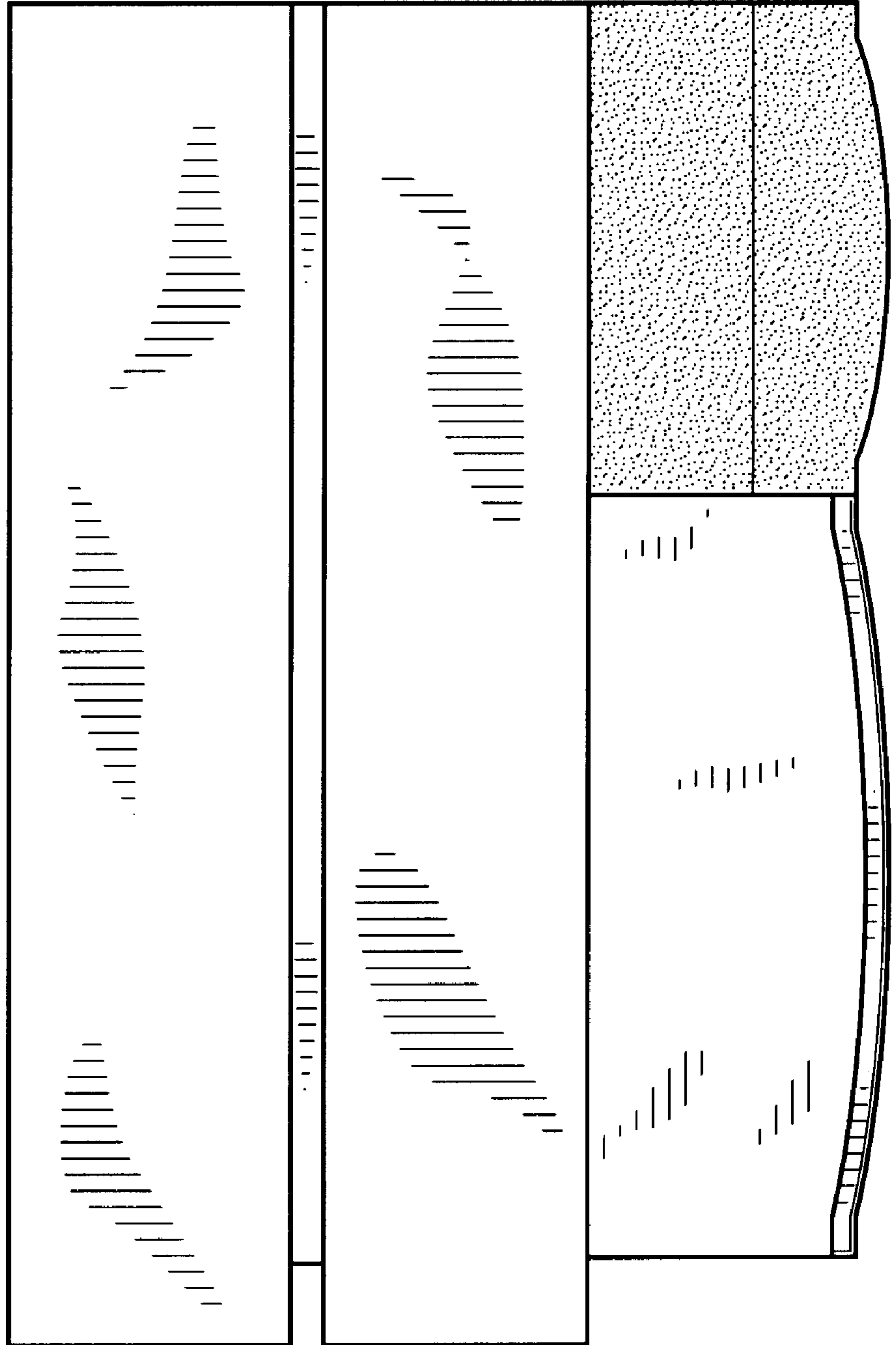


FIG. 7

