



US00D418592S

United States Patent [19]

DePietro, III et al.

[11] Patent Number: Des. 418,592

[45] Date of Patent: ** Jan. 4, 2000

[54] AIR CLEANER

[75] Inventors: **Rocco A. DePietro, III**, Eden Prairie; **Steven A. Carter**, Eagan; **James K. Elfstrand**, Mounds View, all of Minn.

[73] Assignee: **Donaldson Company, Inc.**, Minneapolis, Minn.

[**] Term: **14 Years**

[21] Appl. No.: **29/093,124**

[22] Filed: **Sep. 3, 1998**

[51] LOC (7) Cl. **23-04**

[52] U.S. Cl. **D23/364**

[58] Field of Search D23/364, 365, D23/355; 96/97

[56] **References Cited**

U.S. PATENT DOCUMENTS

D. 403,416 12/1998 Shelton et al. D23/365

OTHER PUBLICATIONS

Declaration of Rocco A. DePietro III with Exhibits A–B.

Primary Examiner—Lisa Lichtenstein
Attorney, Agent, or Firm—Merchant & Gould P.C.

[57] **CLAIM**

The ornamental design for an air cleaner, as shown and described.

DESCRIPTION

FIG. 1 is a perspective view of an air cleaner embodying our new design;
FIG. 2 is an end elevational view of the air cleaner shown in FIG. 1, the opposite end elevational view being a mirror image thereof;
FIG. 3 is a front side elevational view of the air cleaner depicted in FIG. 1;
FIG. 4 is a rear side elevational view of the air cleaner depicted in FIG. 1;
FIG. 5 is a bottom plan view of the air cleaner depicted in FIG. 1;

FIG. 6 is a top plan view of the air cleaner depicted in FIG. 1;

FIG. 7 is an end elevational view of a second embodiment of an air cleaner the opposite end elevational view being a mirror image thereof;

FIG. 8 is a front side elevational view of the air cleaner depicted in FIG. 7;

FIG. 9 is a rear side elevational view of the air cleaner depicted in FIG. 7;

FIG. 10 is a bottom plan view of the air cleaner depicted in FIG. 7;

FIG. 11 is a top plan view of the air cleaner depicted in FIG. 7;

FIG. 12 is an end elevational view of a third embodiment of an air cleaner; the opposite end elevational view being a mirror image thereof;

FIG. 13 is a front side elevational view of the air cleaner depicted in FIG. 12;

FIG. 14 is a rear side elevational view of the air cleaner depicted in FIG. 12;

FIG. 15 is a bottom plan view of the air cleaner depicted in FIG. 12;

FIG. 16 is a top plan view of the air cleaner depicted in FIG. 12;

FIG. 17 is an end elevational view of a fourth embodiment of an air cleaner;

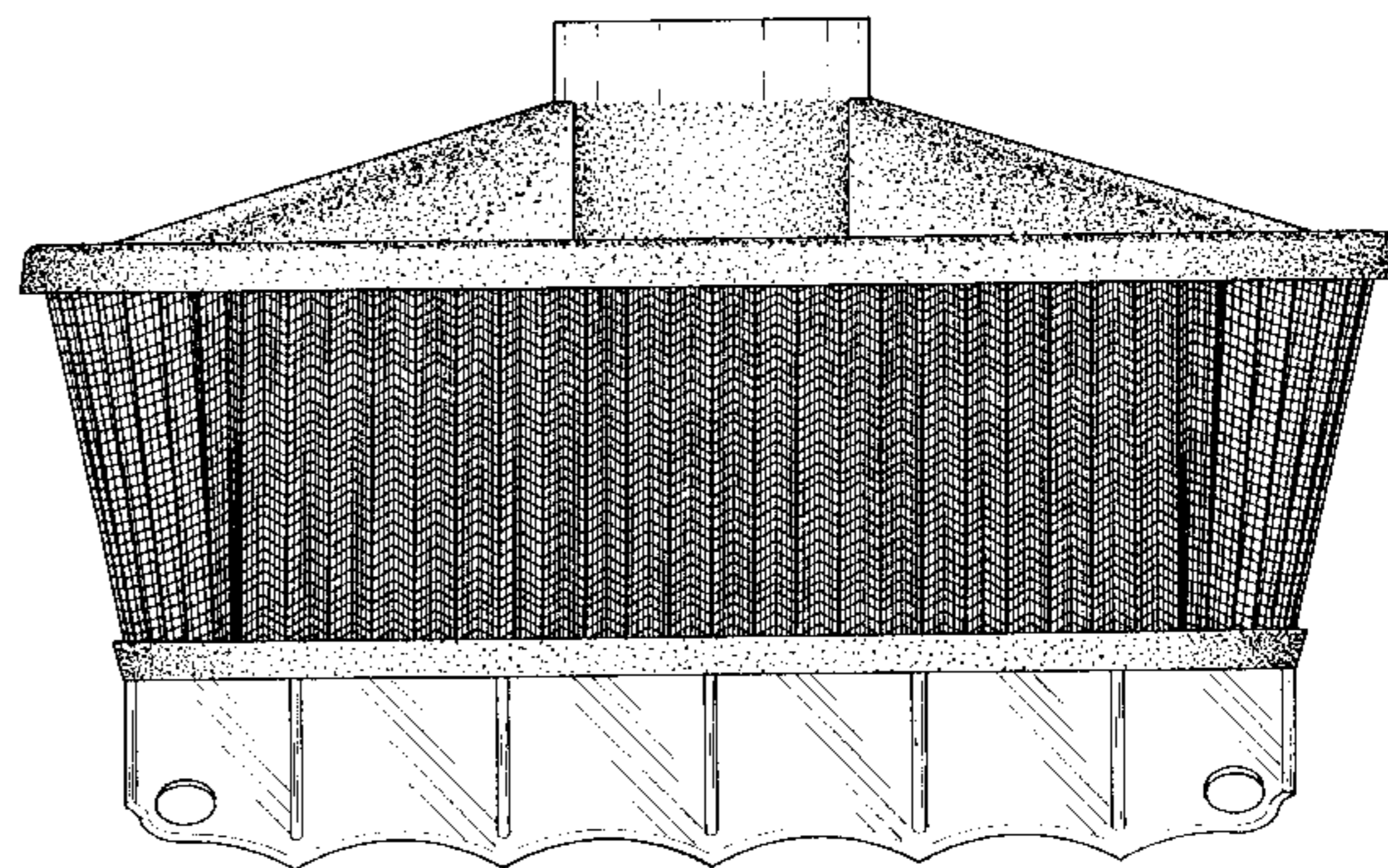
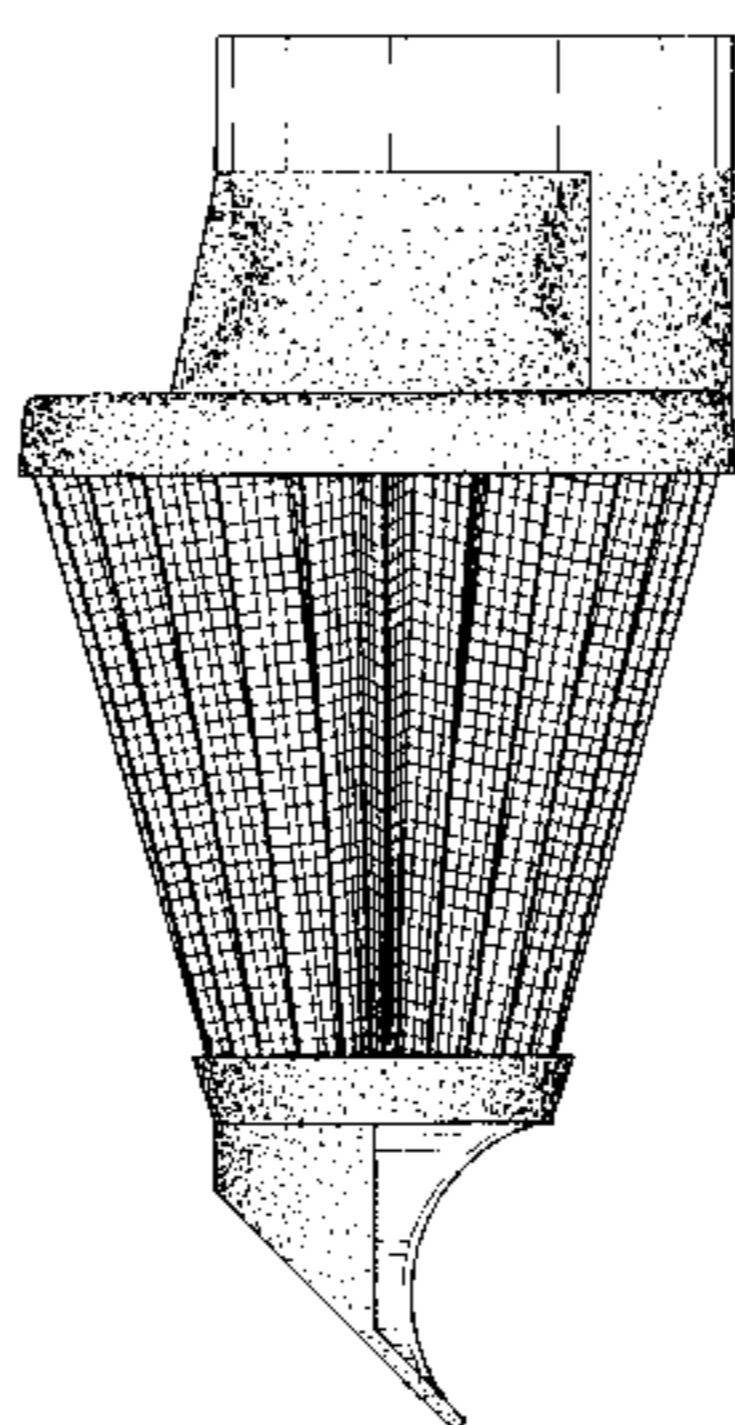
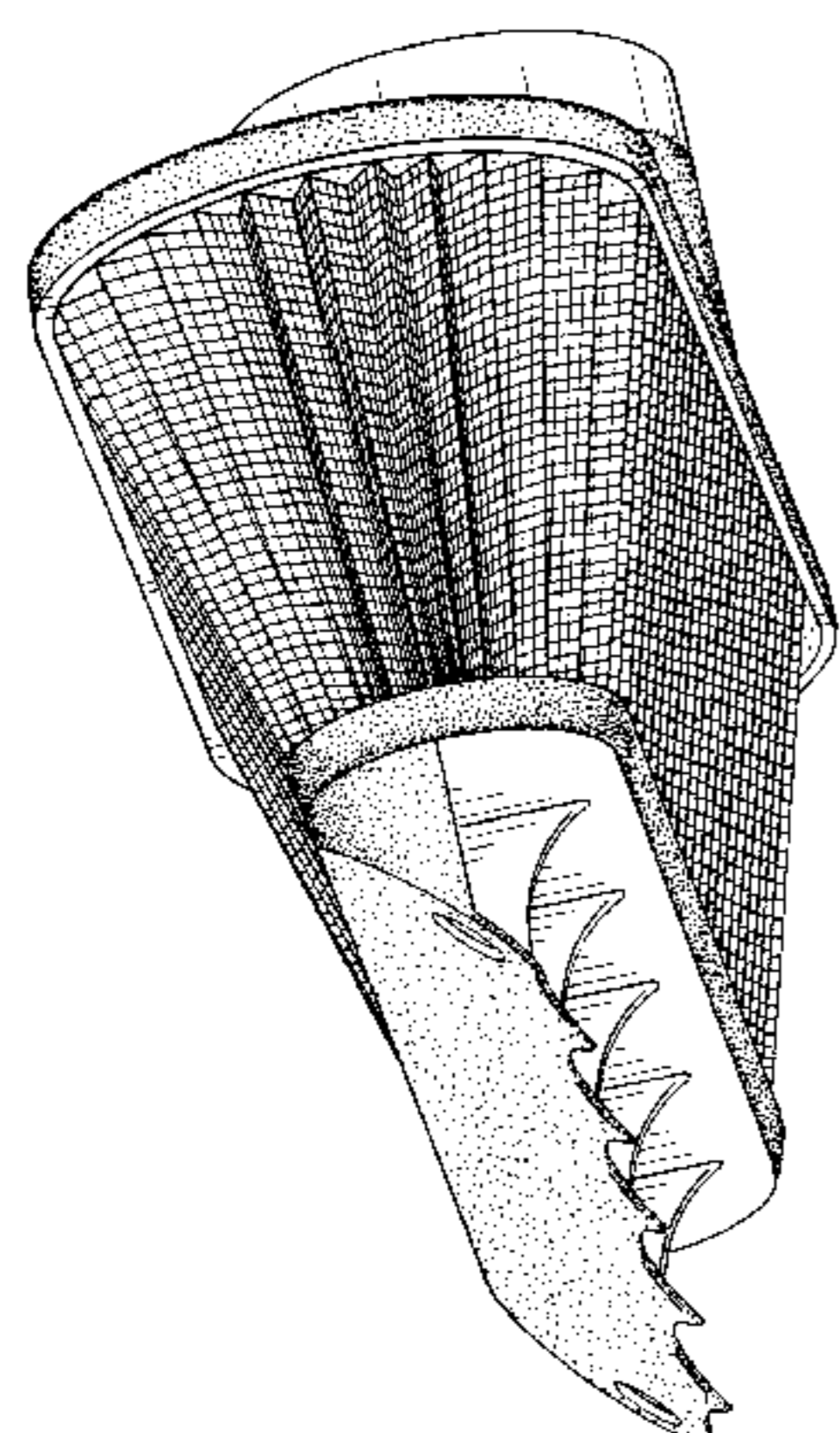
FIG. 18 is an opposite end elevational view of the air cleaner depicted in FIG. 17.

FIG. 19 is a front side elevational view of the air cleaner depicted in FIG. 17;

FIG. 20 is a rear side elevational view of the air cleaner depicted in FIG. 17;

FIG. 21 is a bottom plan view of the air cleaner depicted in FIG. 17; and,

FIG. 22 is a top plan view of the air cleaner depicted in FIG. 17.

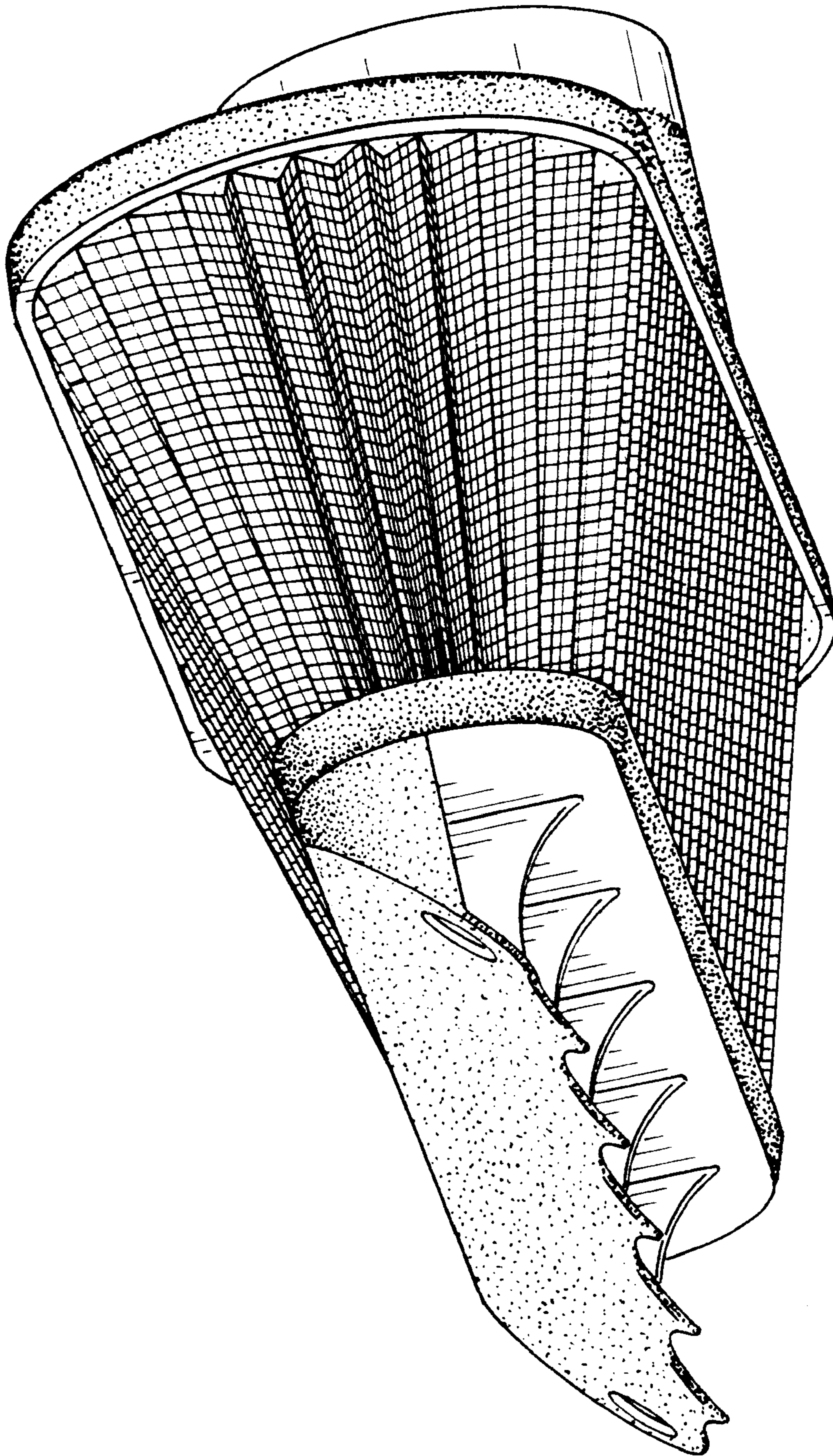


The sole difference of the second embodiment from the first embodiment resides in the presence of stippling on the end caps in the first embodiment. The differences of the second embodiment from the third embodiment reside in the presence of stippling on the second embodiment from the third embodiment reside in the presence of stippling on the end caps and color on the filter media in the third embodiment. The differences between the first embodiment and the third embodiment resides in the presence of color on the filter

media in the third embodiment. The differences between the first embodiment and the fourth embodiment reside in the presence of color on the end caps, color in the filter media, and a logo in the fourth embodiment. The differences between the third and fourth embodiments reside in the presence of color on the end caps and a logo in the fourth embodiment.

1 Claim, 21 Drawing Sheets

FIG. 1



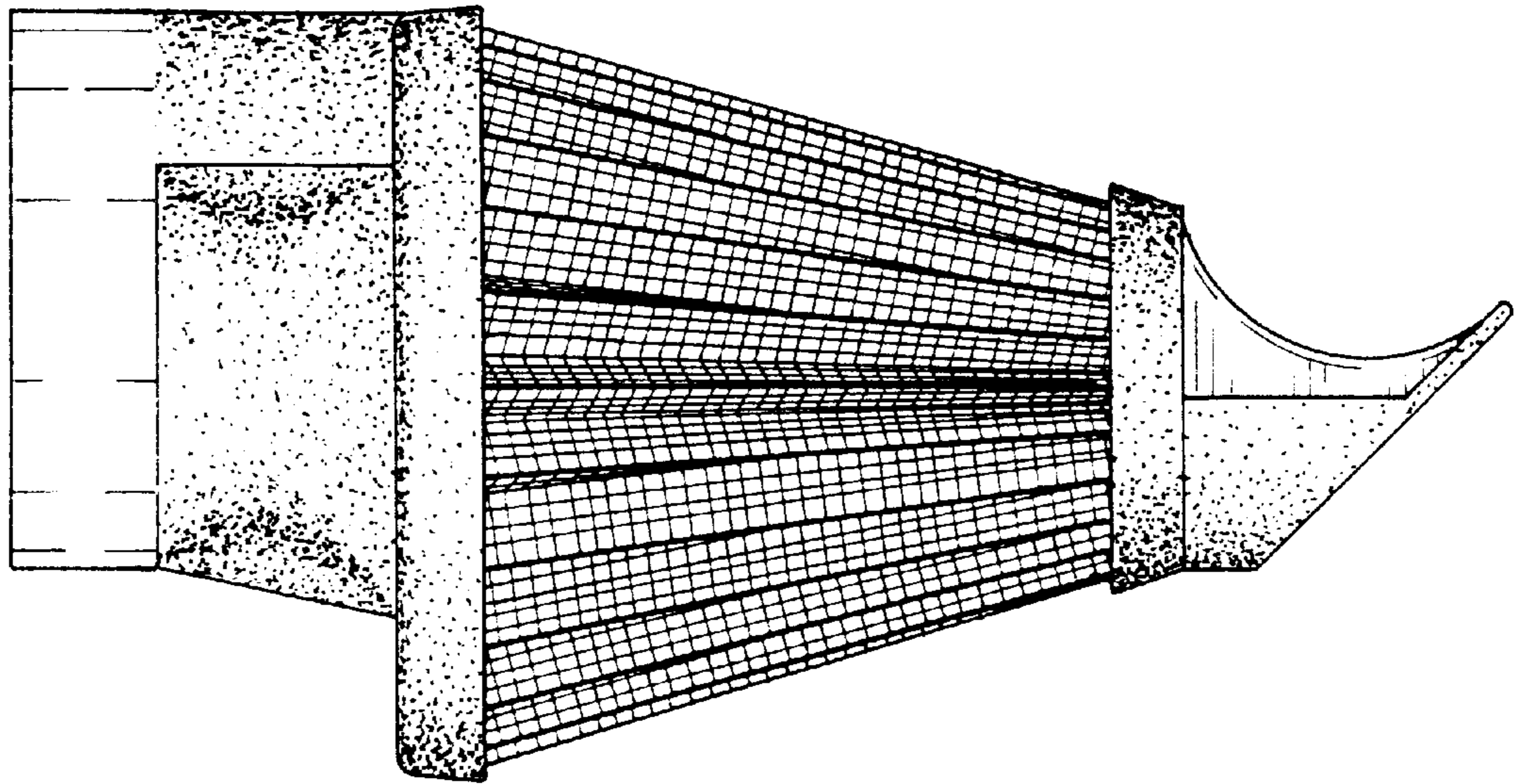


FIG. 2

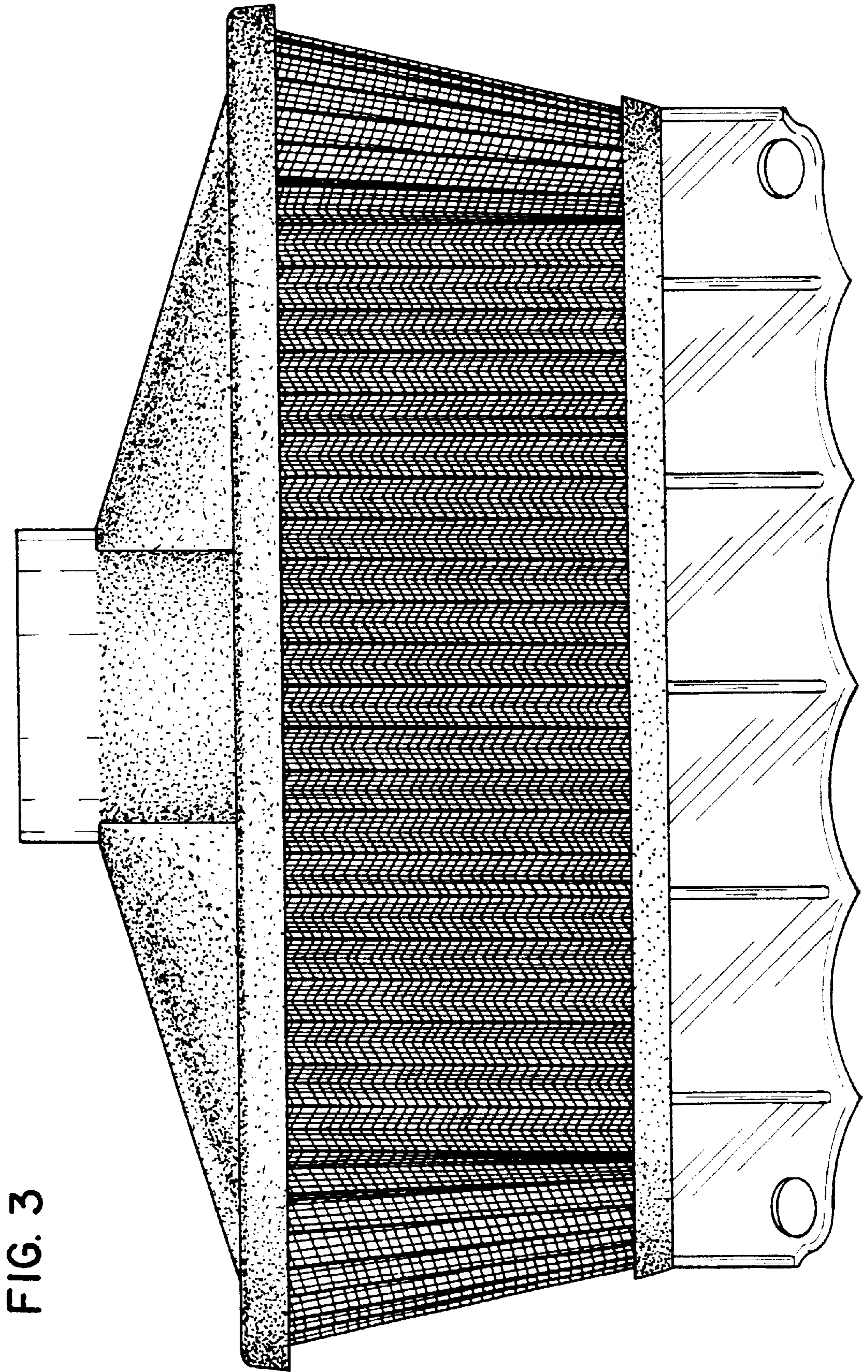


FIG. 3

FIG. 4

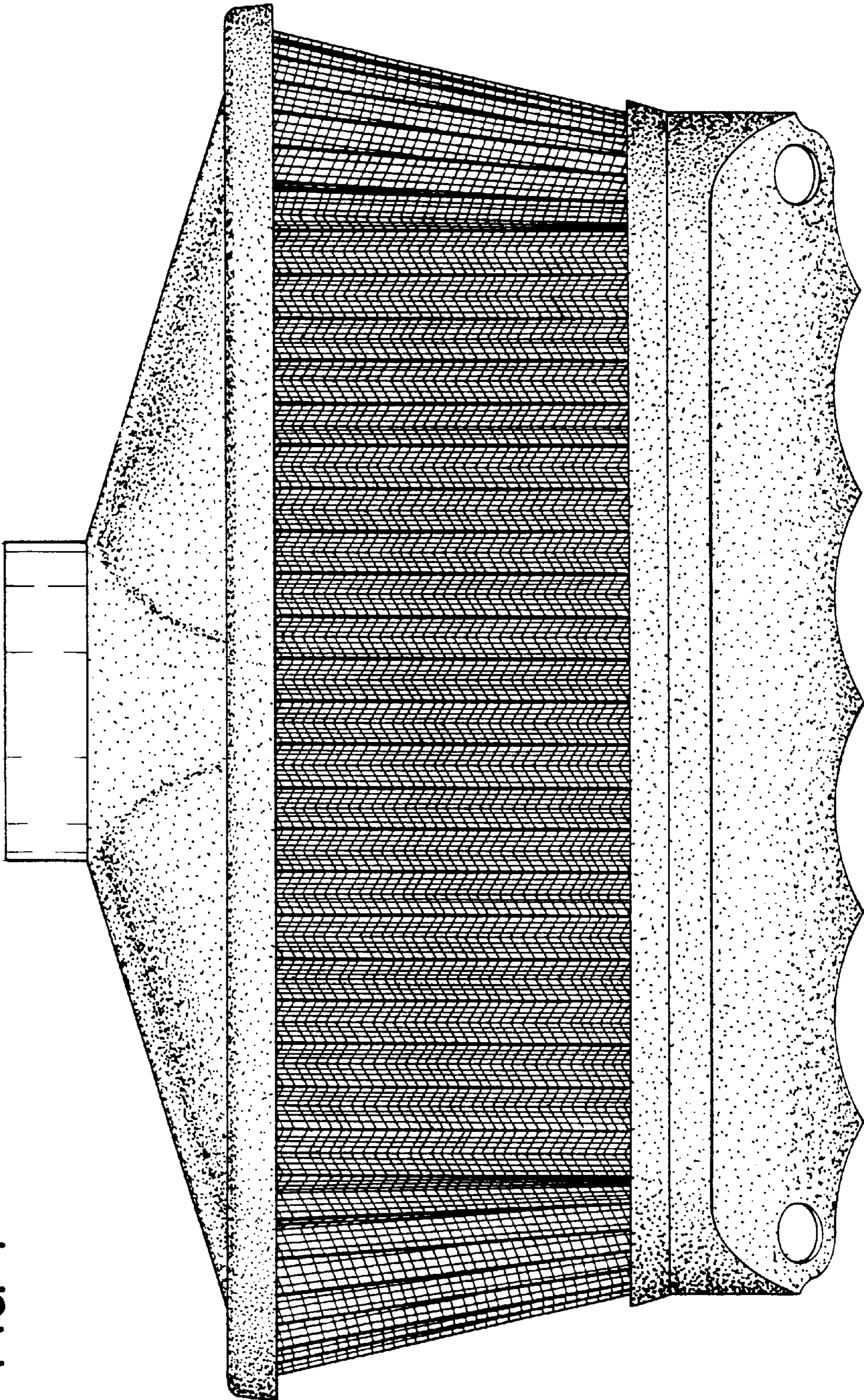


FIG. 5

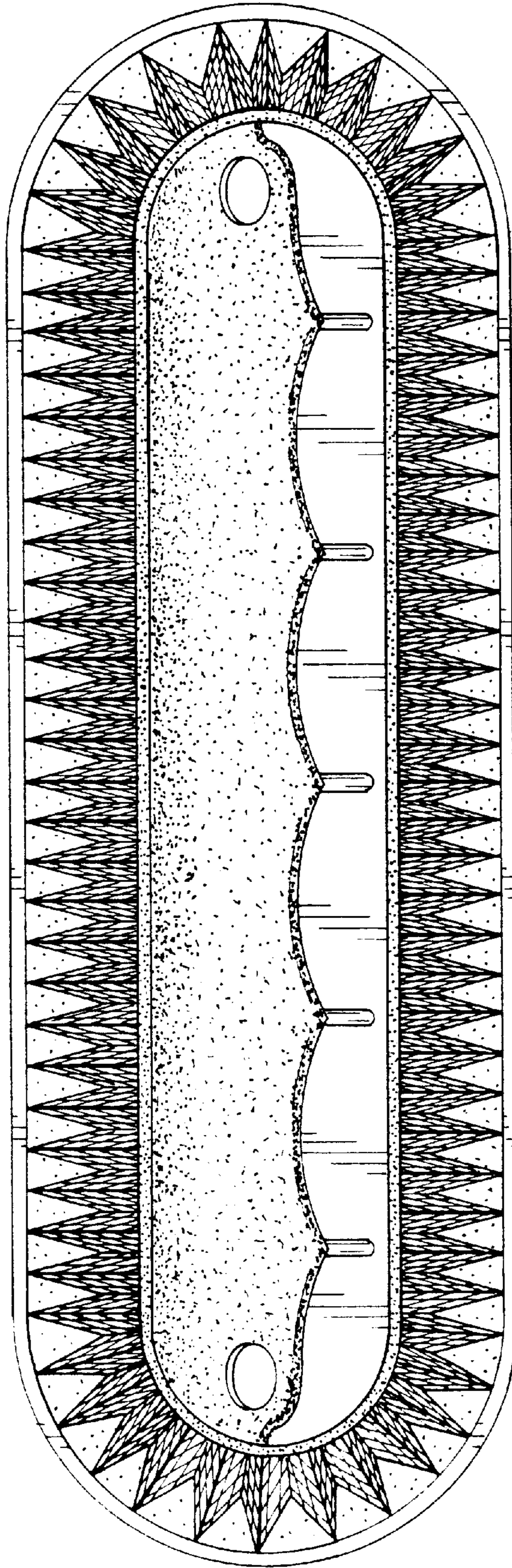


FIG. 6

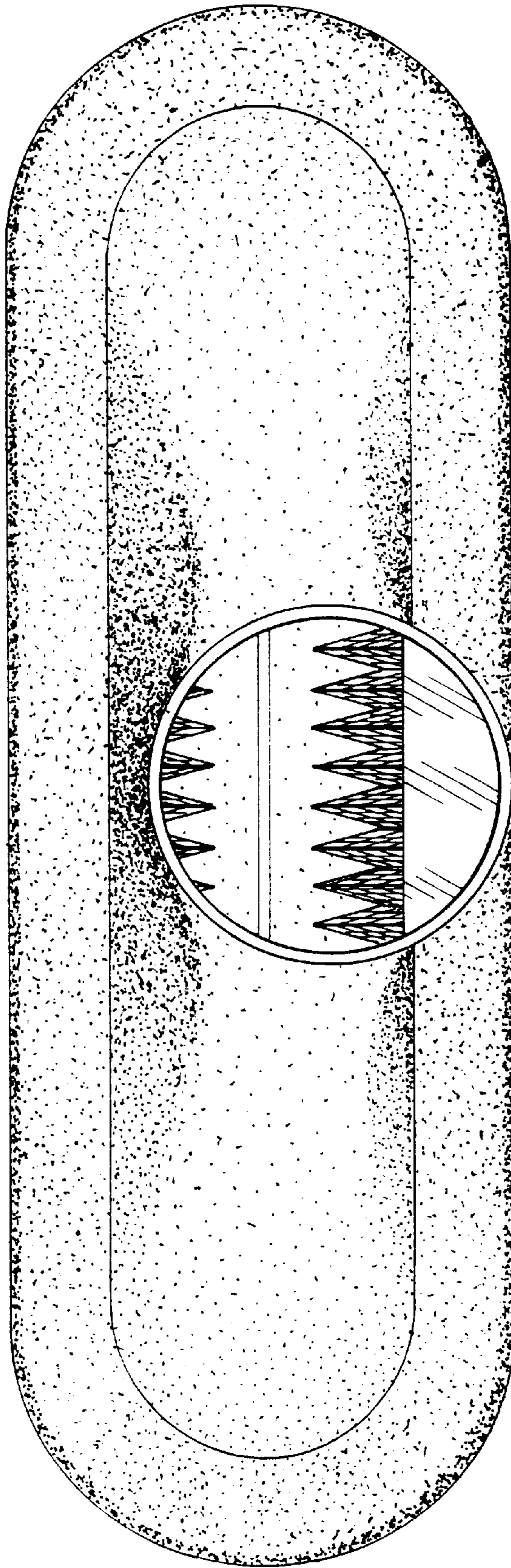


FIG. 7

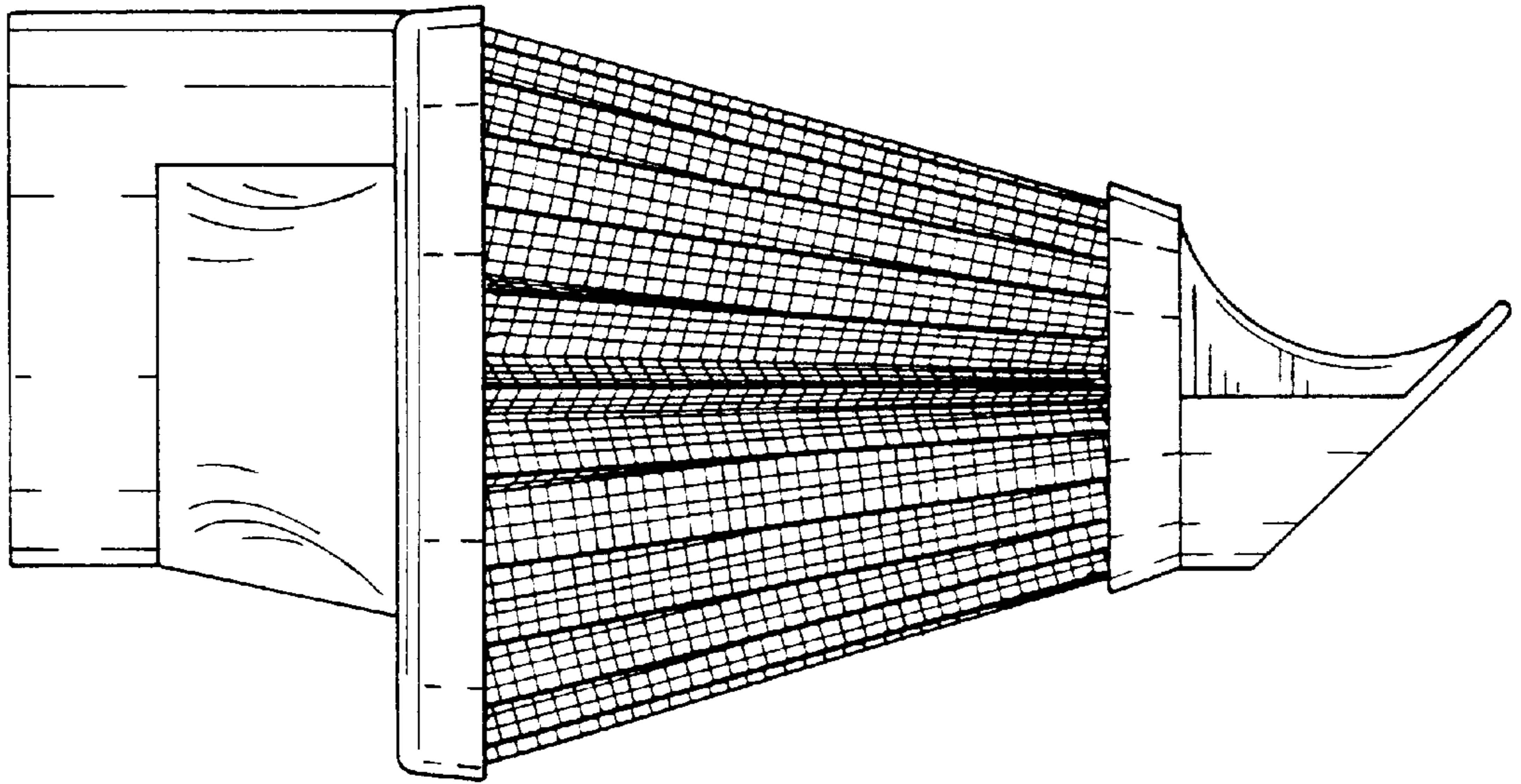


FIG. 8

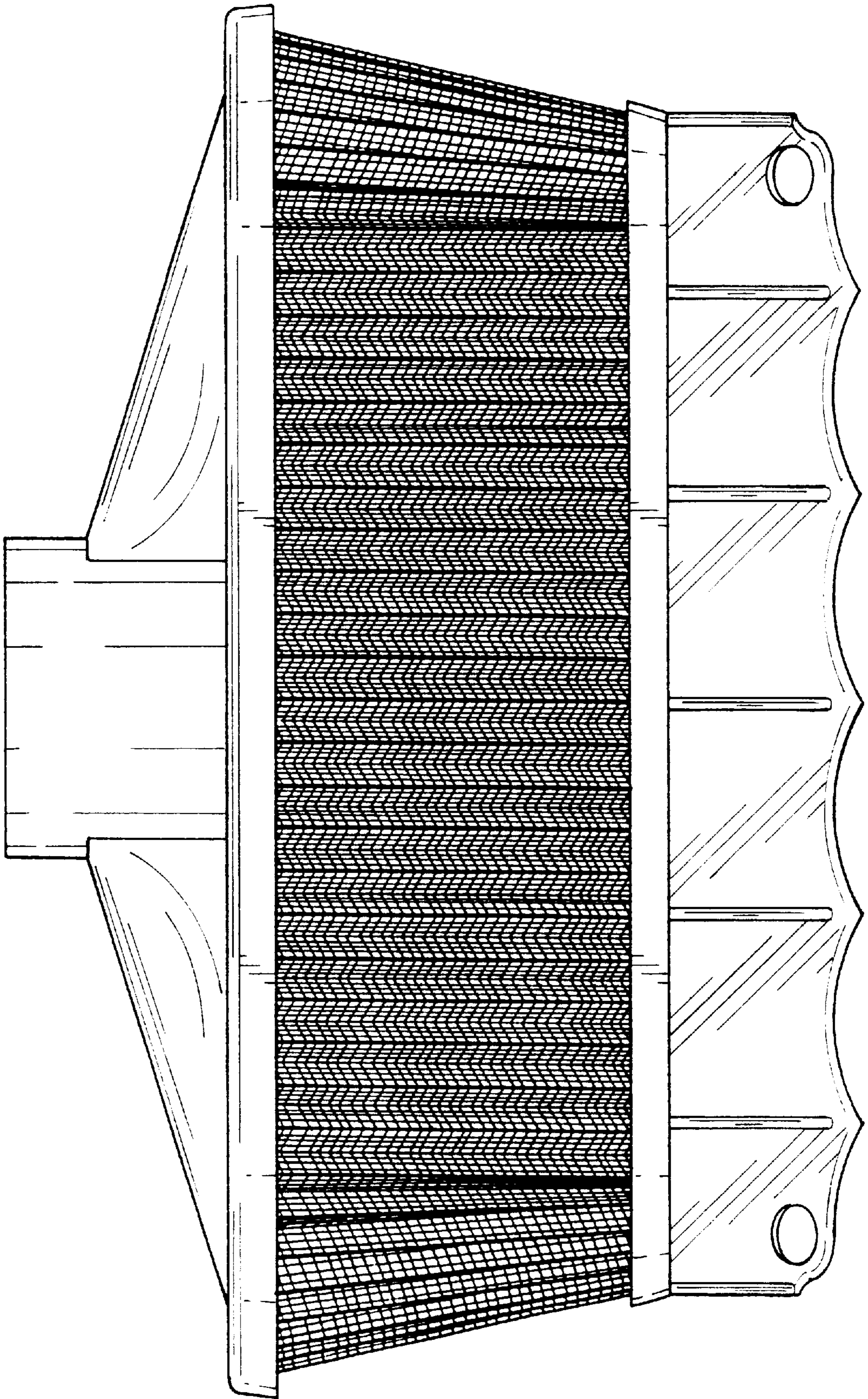


FIG. 9

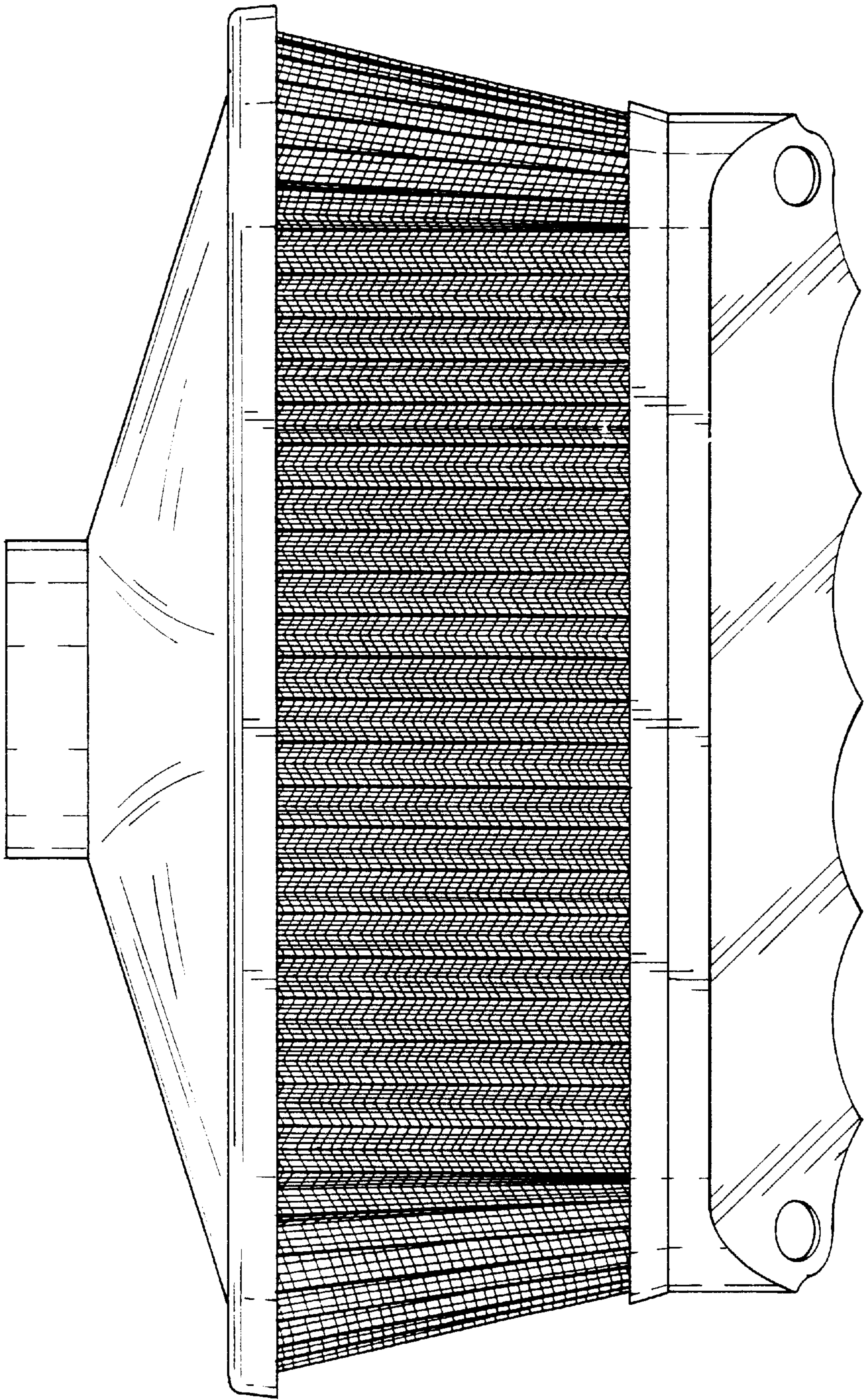


FIG. 10

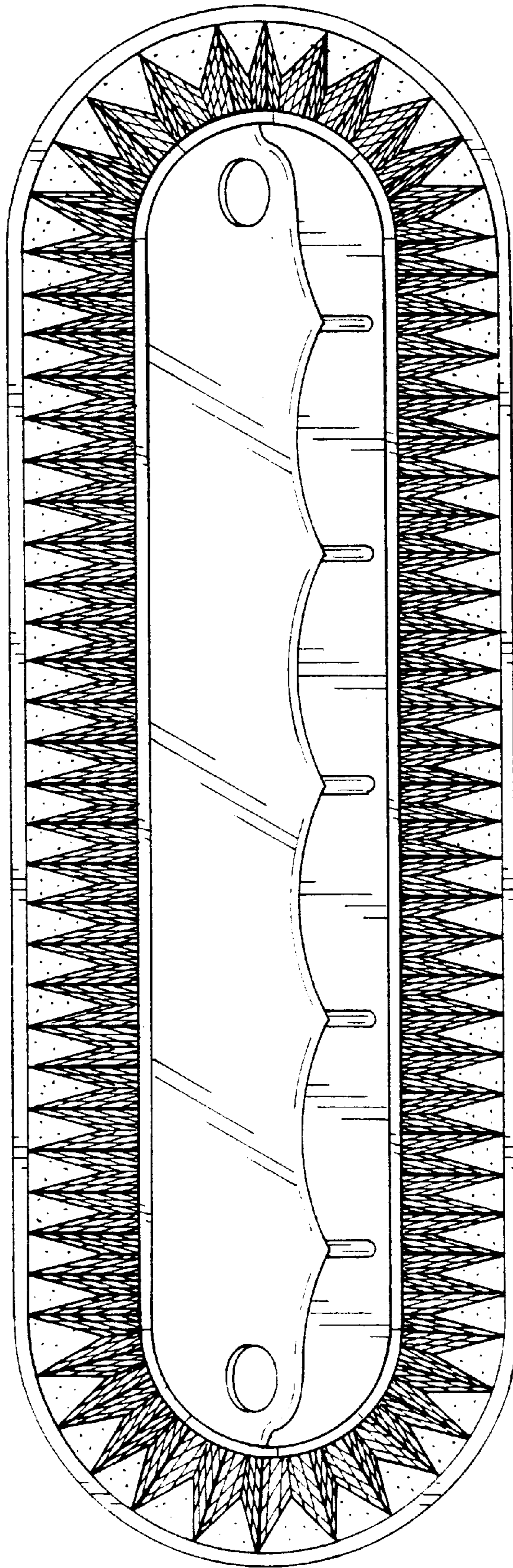


FIG. 11

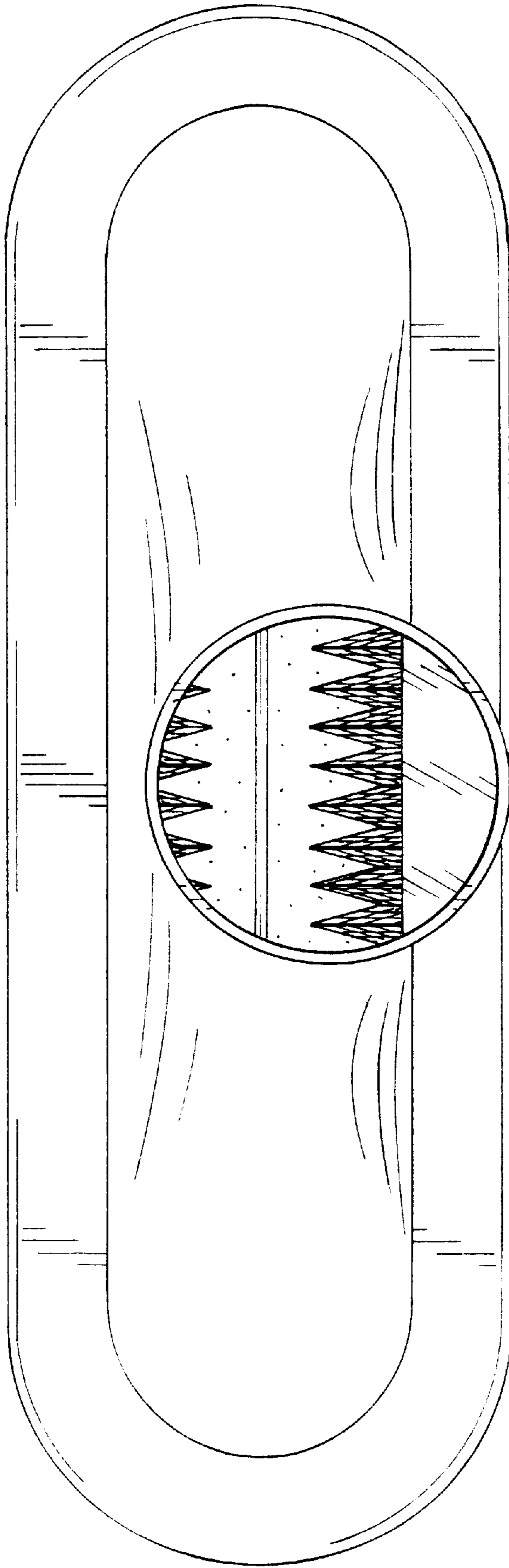


FIG.12

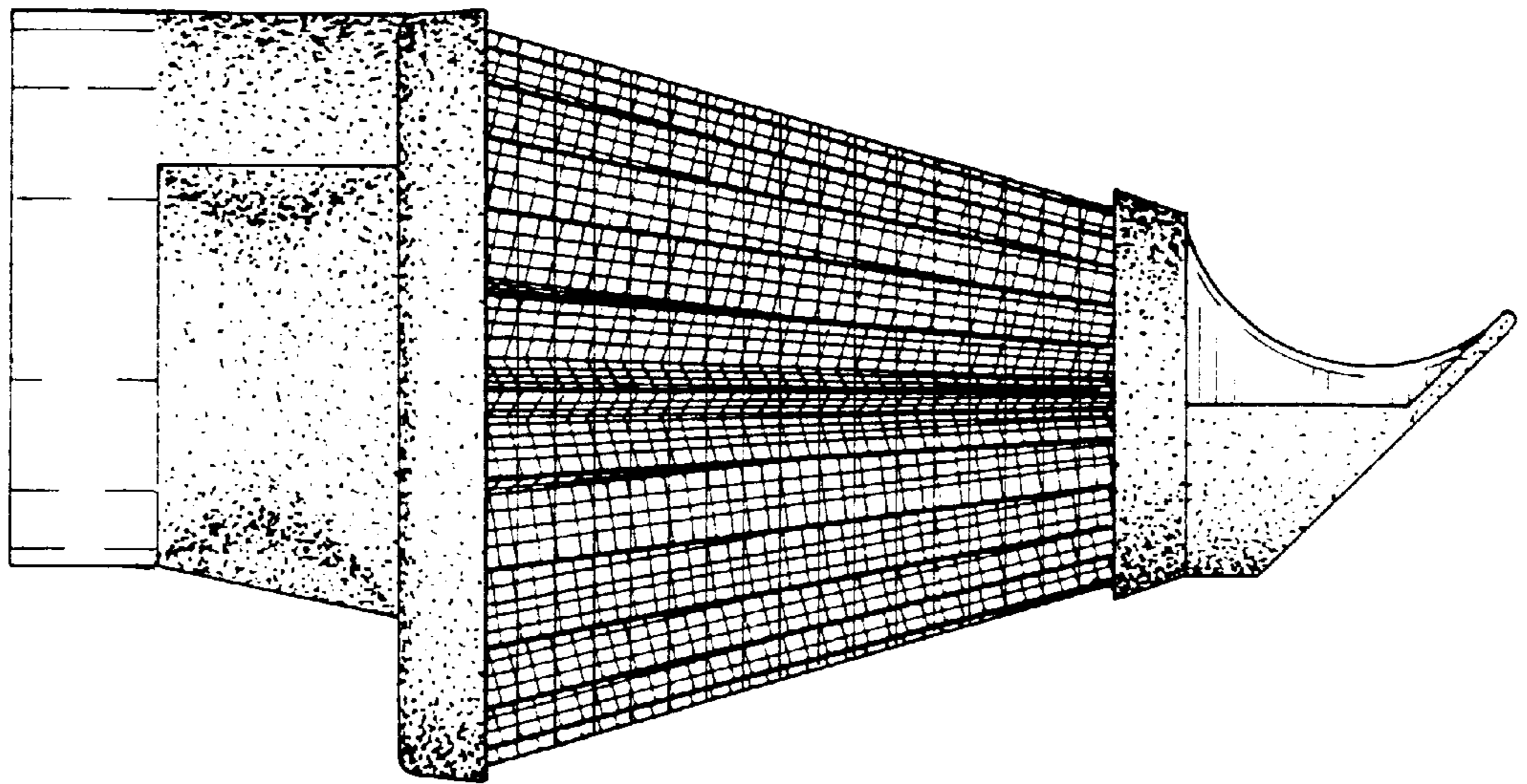


FIG.13

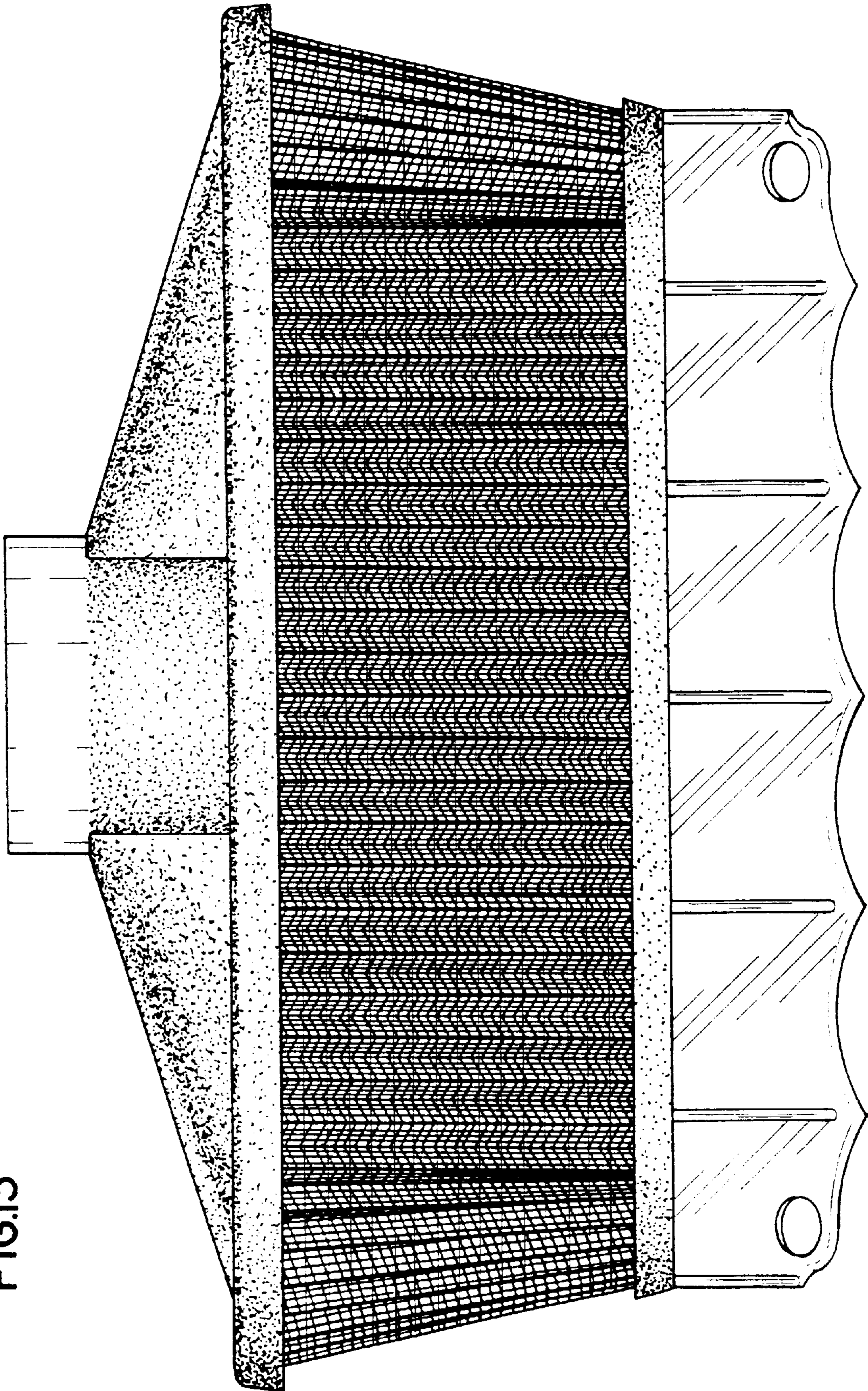


FIG.14

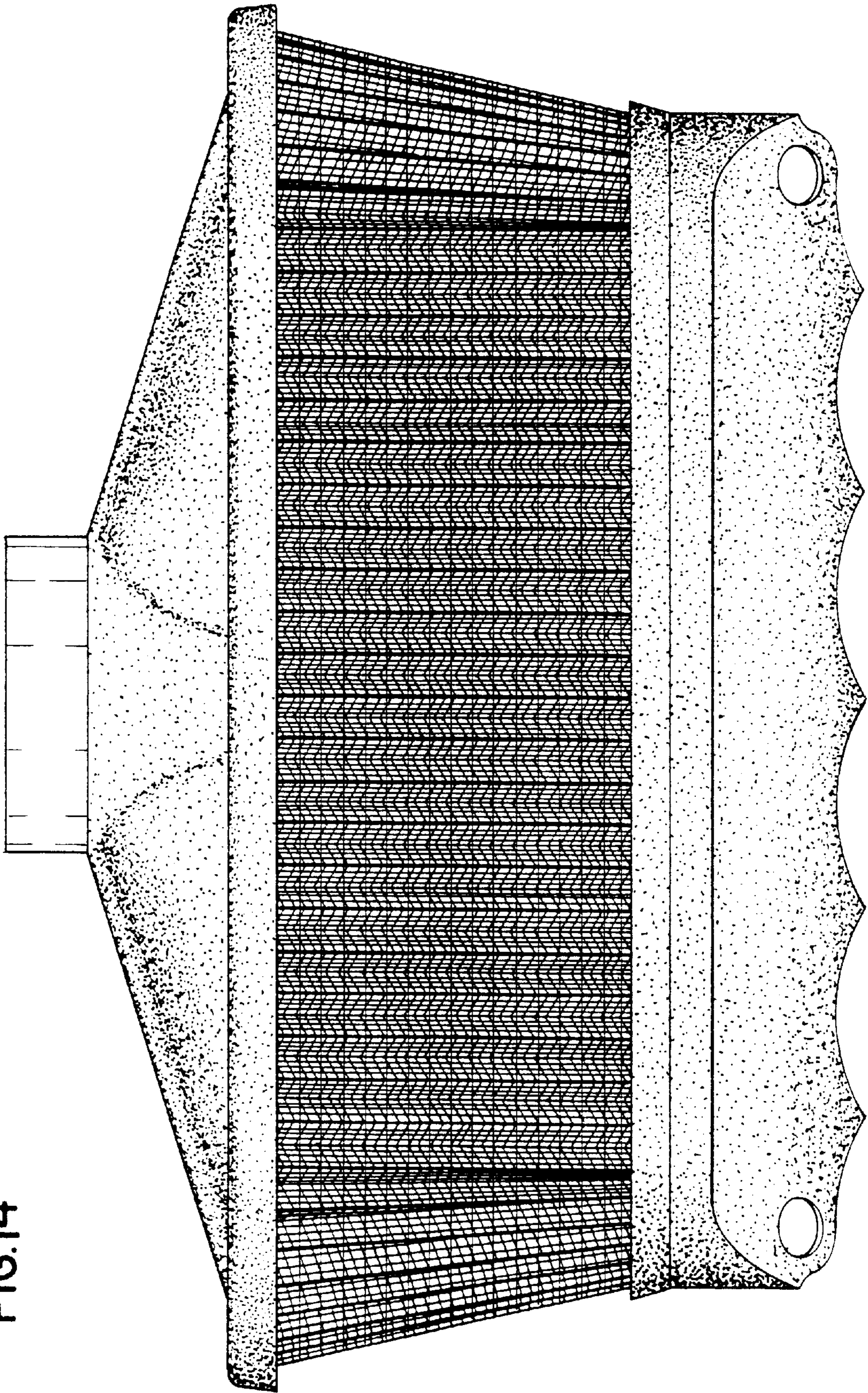


FIG. 15

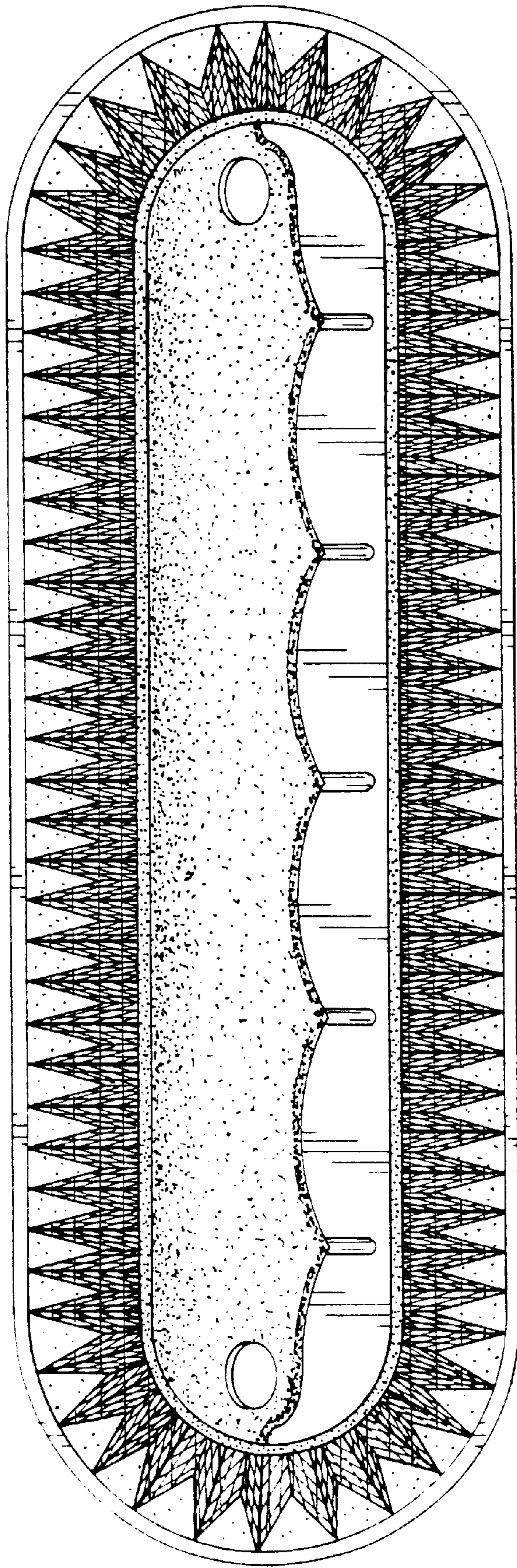


FIG.16

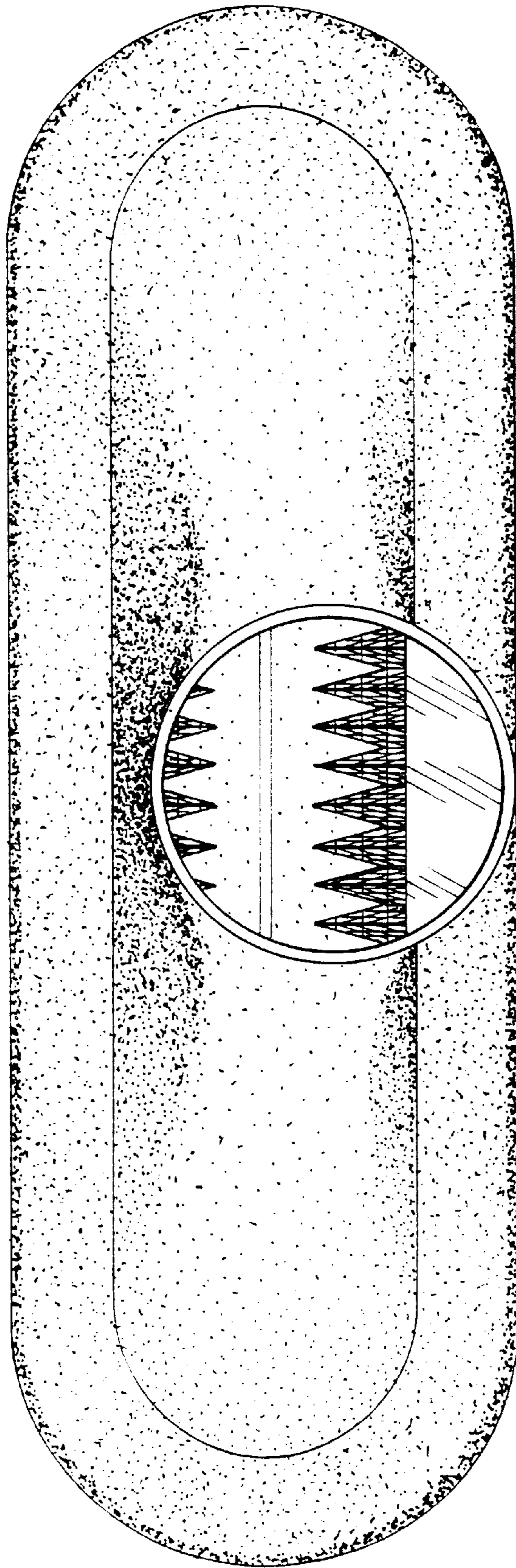


FIG.18

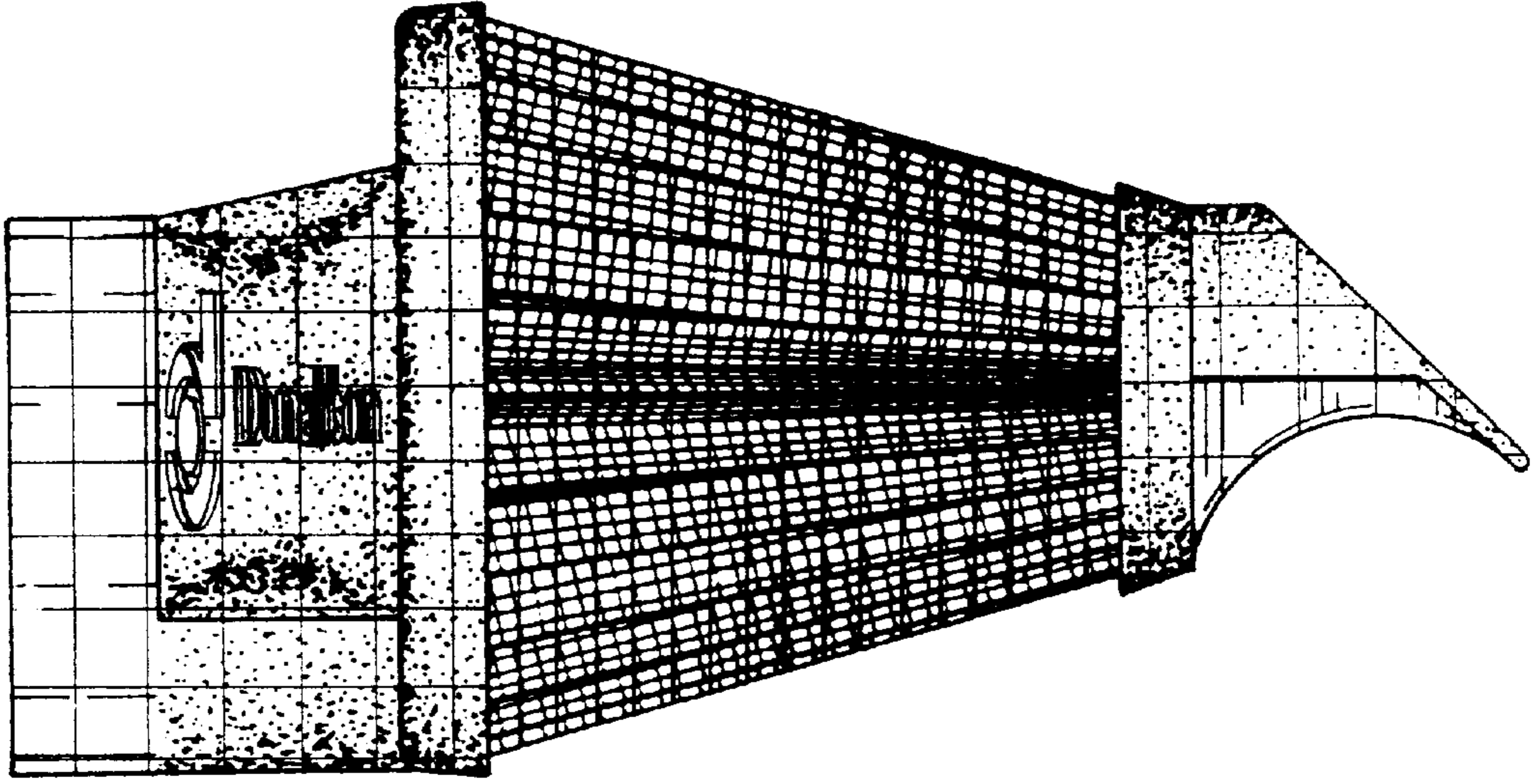
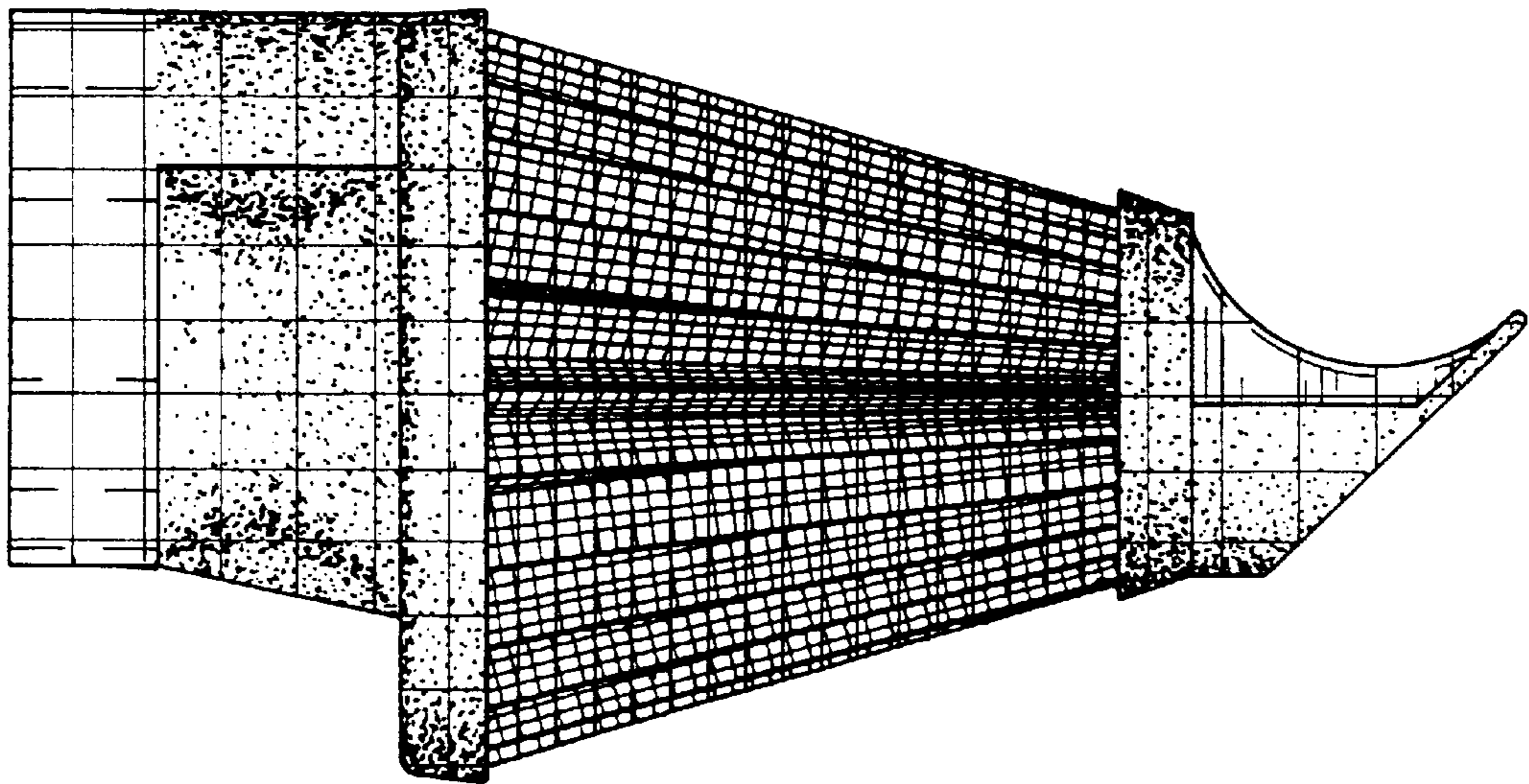


FIG.17



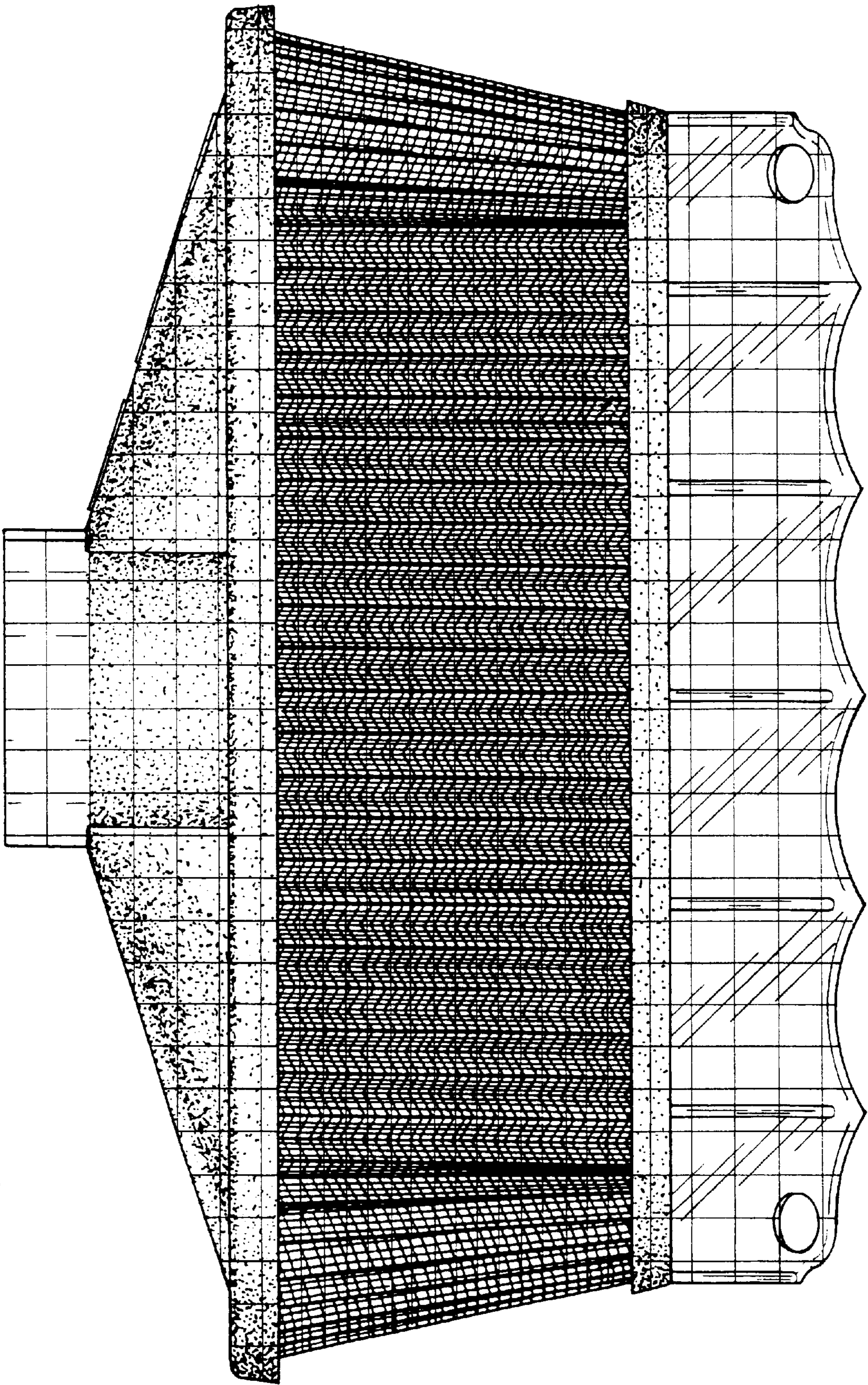


FIG.19

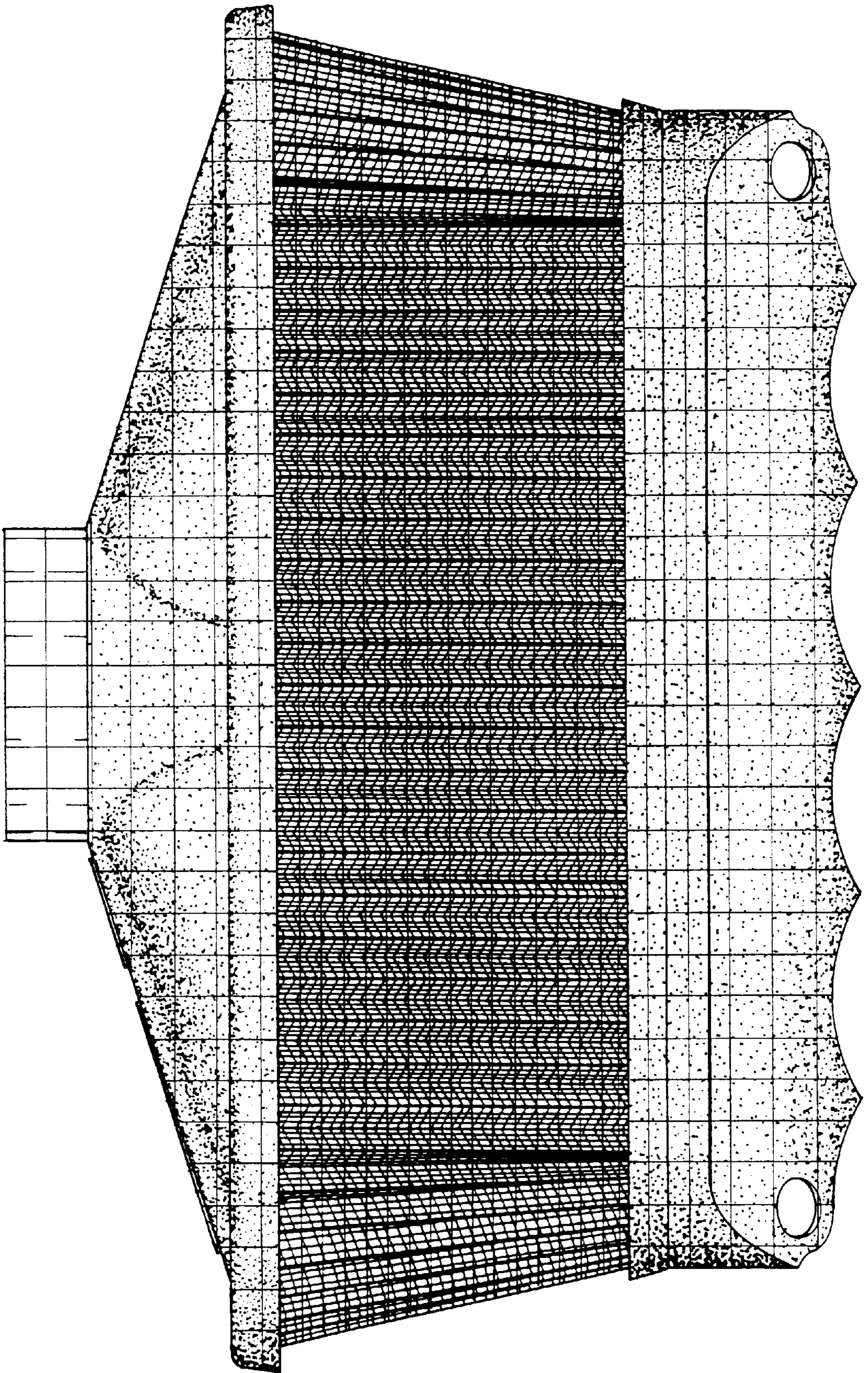


FIG.20

FIG. 21

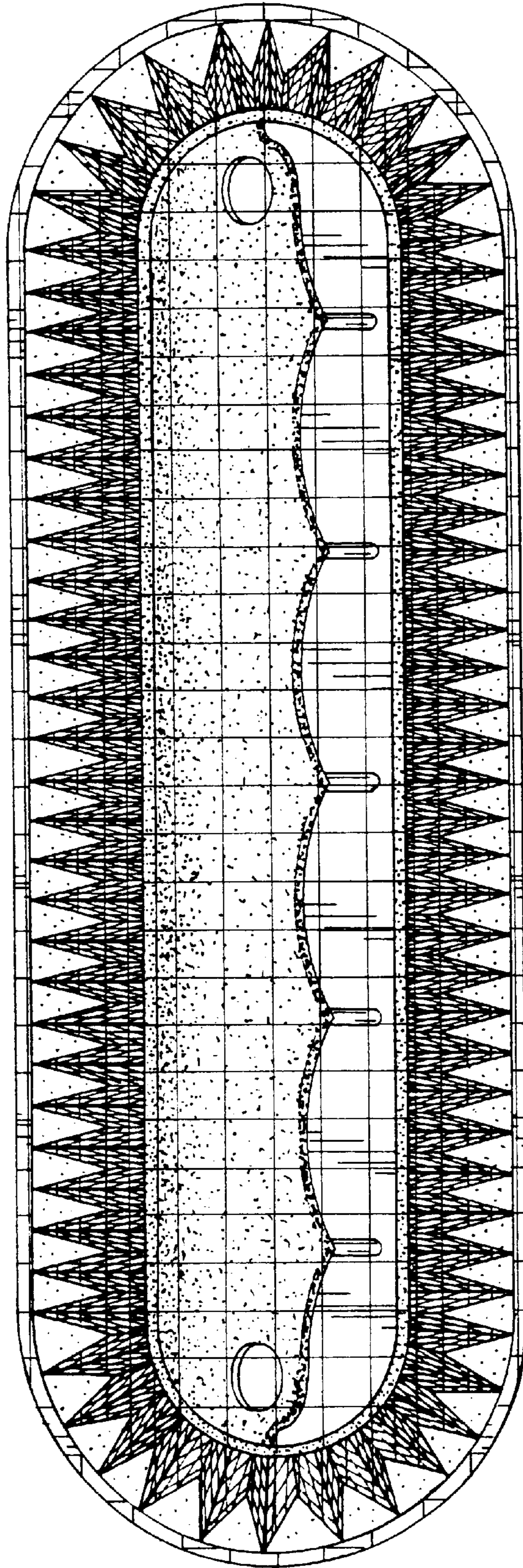


FIG. 22

