



US00D418591S

# United States Patent [19]

Birdsell et al.

[11] Patent Number: **Des. 418,591**

[45] Date of Patent: **\*\* Jan. 4, 2000**

[54] **PORTABLE ELECTRIC HEATER**

D. 402,742 12/1998 Chen ..... D23/335

[75] Inventors: **Walter G. Birdsell**, Marlborough;  
**Kenneth David Harris, Jr.**, Boston;  
**Clinton E. Cockrill**, Roxbury; **Liesbeth Wenzel**, Brookline, all of Mass.

### OTHER PUBLICATIONS

Owner's Guide, Holmes Power Heater (Model HFH-298) (undated).

1997 Honeywell catalog sheet for HT-800 fan.

1997 Honeywell catalog sheet for HF-810 fan.

Appln. No. 29/081,895, filed Jan. 9, 1998; Boyle, et al.

[73] Assignee: **Honeywell Inc.**, Minneapolis, Minn.

*Primary Examiner*—B. J. Bullock

*Attorney, Agent, or Firm*—Robert B. Leonard

[\*\*] Term: **14 Years**

[21] Appl. No.: **29/093,482**

### [57] CLAIM

[22] Filed: **Sep. 11, 1998**

The ornamental design for a portable electric heater, as shown.

[51] **LOC (7) Cl.** ..... **23-03**

[52] **U.S. Cl.** ..... **D23/335**

[58] **Field of Search** ..... D23/314, 317,  
D23/332, 335-341, 370, 381, 382; 392/365-369,  
467, 373, 374

### DESCRIPTION

### [56] References Cited

#### U.S. PATENT DOCUMENTS

D. 271,133	10/1983	Pataki .	
D. 309,182	7/1990	Hsu .....	D23/382
D. 312,124	11/1990	Coup et al. ....	D23/382
D. 323,708	2/1992	Wang .....	D23/382
D. 324,907	3/1992	Cook .....	D23/370
D. 326,318	5/1992	Coup et al. ....	D23/335
D. 329,089	9/1992	Coup et al. ....	D23/382
D. 344,583	2/1994	Hsu .....	D23/412
D. 346,019	4/1994	Cheslock et al. ....	D23/382
D. 395,490	6/1998	Janeé et al. ....	D23/337
D. 396,279	7/1998	Ediger .....	D23/335
D. 397,430	8/1998	Ediger .....	D23/335

FIG. 1 is a front perspective view of a heater showing our design.

FIG. 2 is a front elevational view of the heater described in FIG. 1.

FIG. 3 is a rear elevational view of the heater described in FIG. 1.

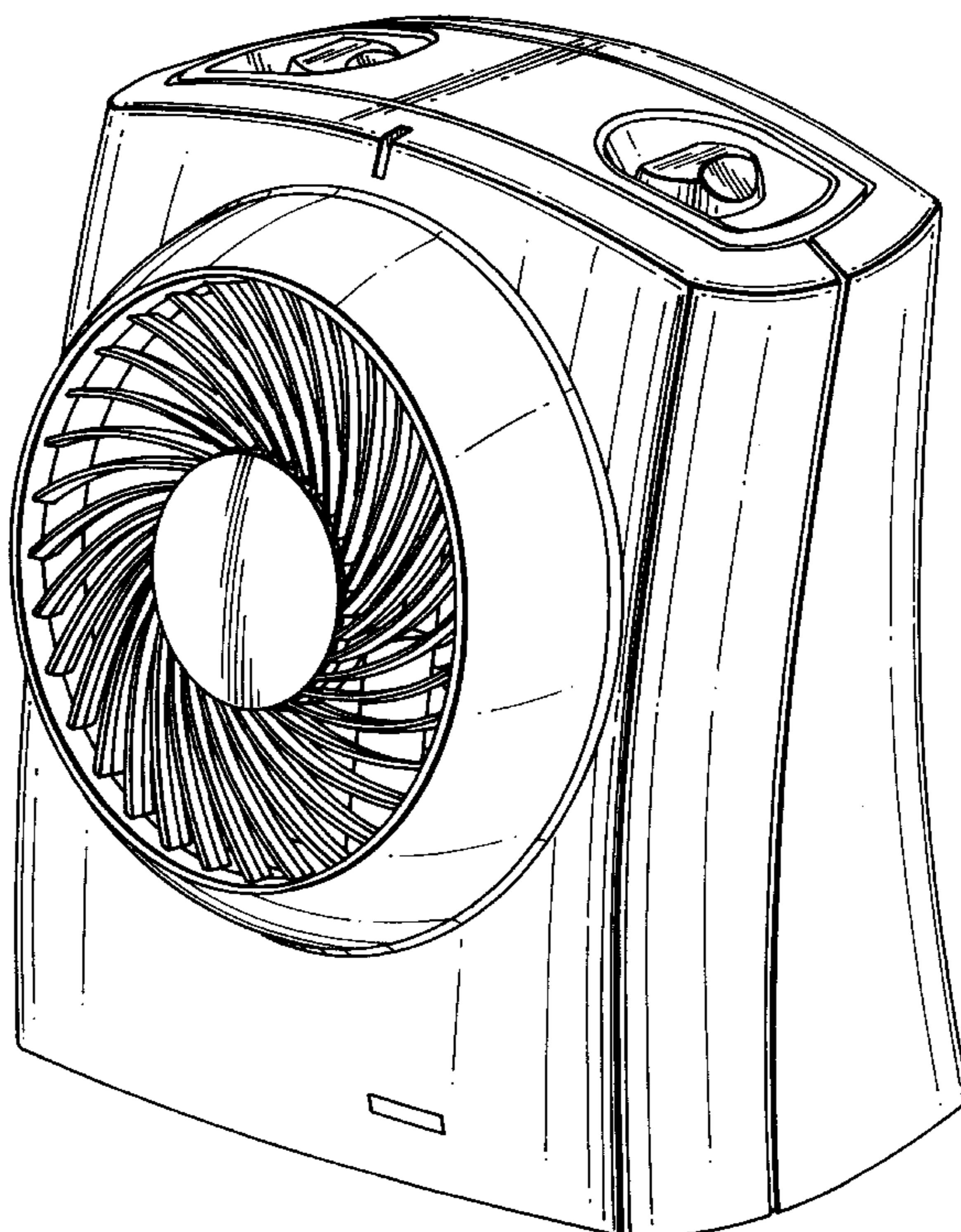
FIG. 4 is a left side elevational view of the heater described in FIG. 1, the right side being a mirror image of the left side view.

FIG. 5 is a top plan view of the heater described in FIG. 1.

FIG. 6 is a bottom plan view of the heater described in FIG. 1.

The surface(s) or portion(s) of the article not shown in the drawing or described in the specification form(s) no part of the claimed design.

**1 Claim, 6 Drawing Sheets**



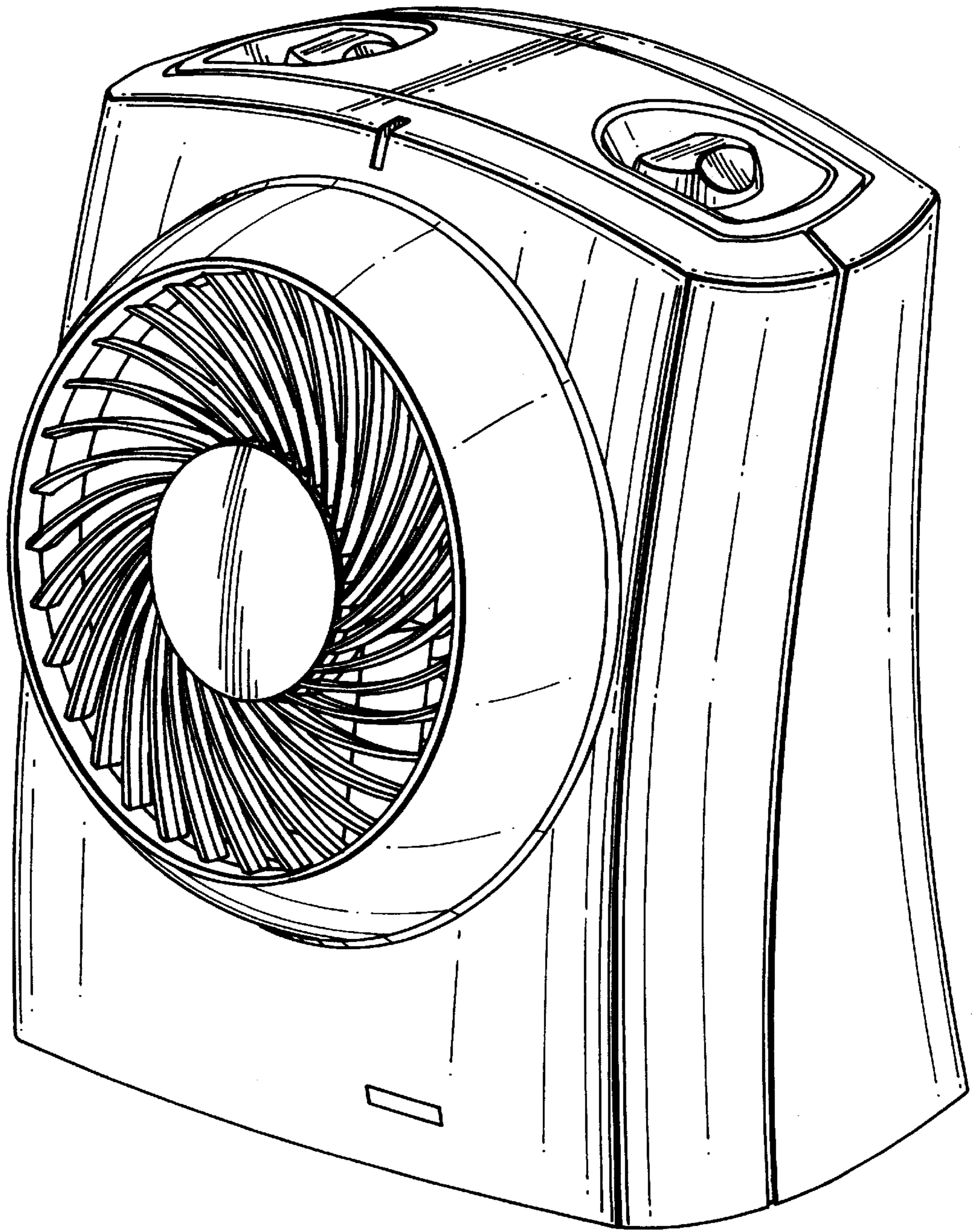


FIG. 1

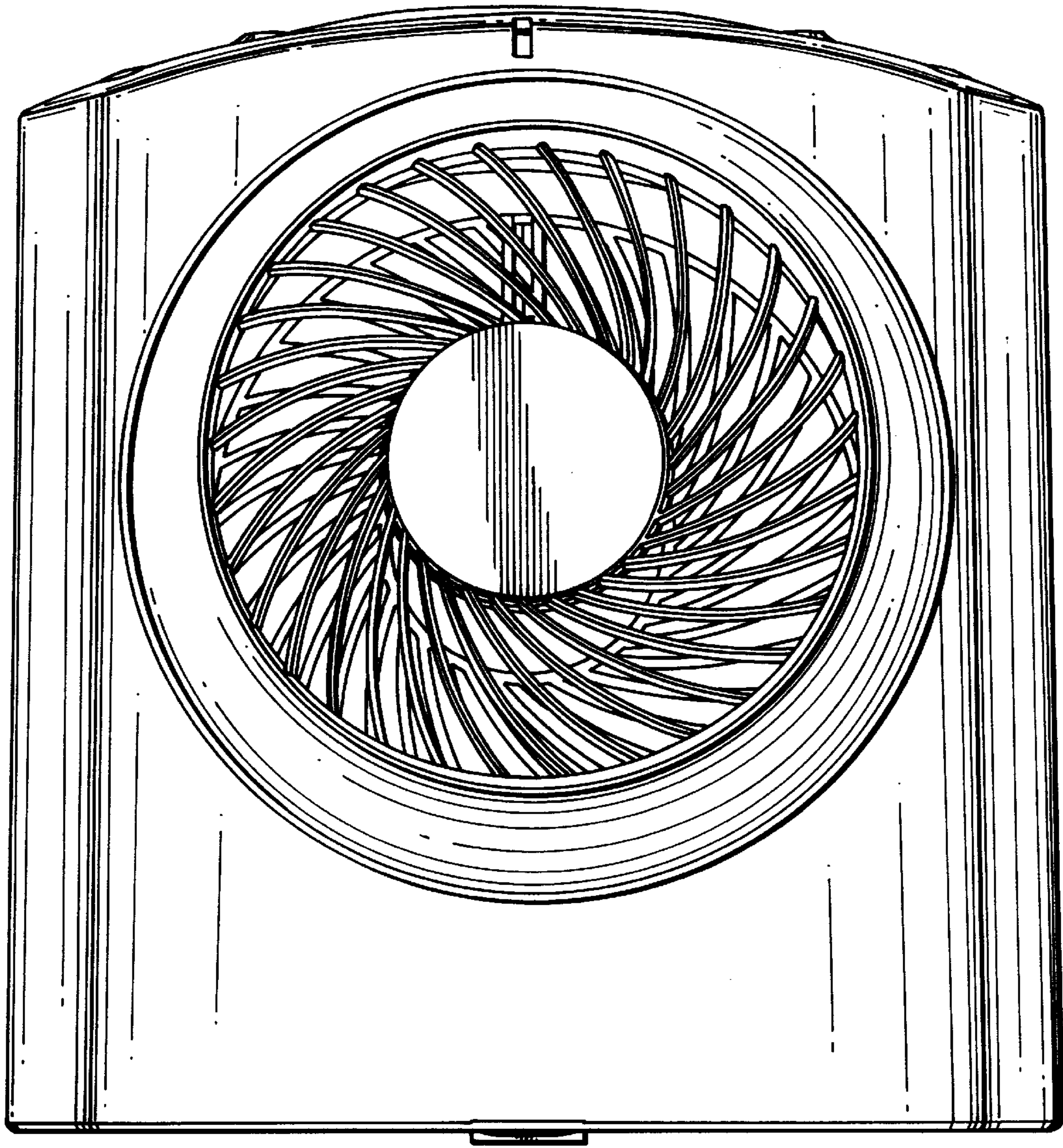


FIG. 2

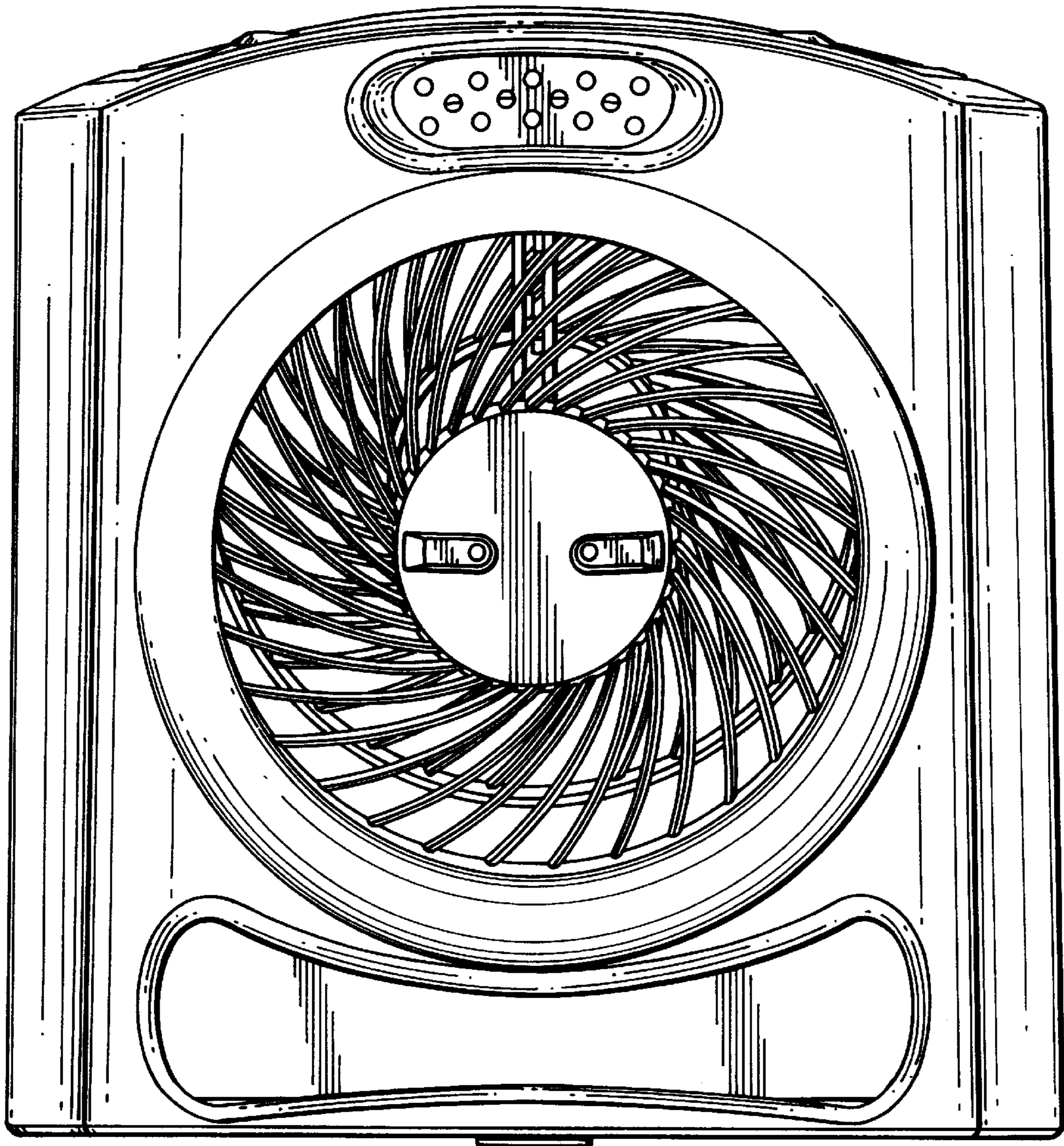


FIG. 3



FIG. 4

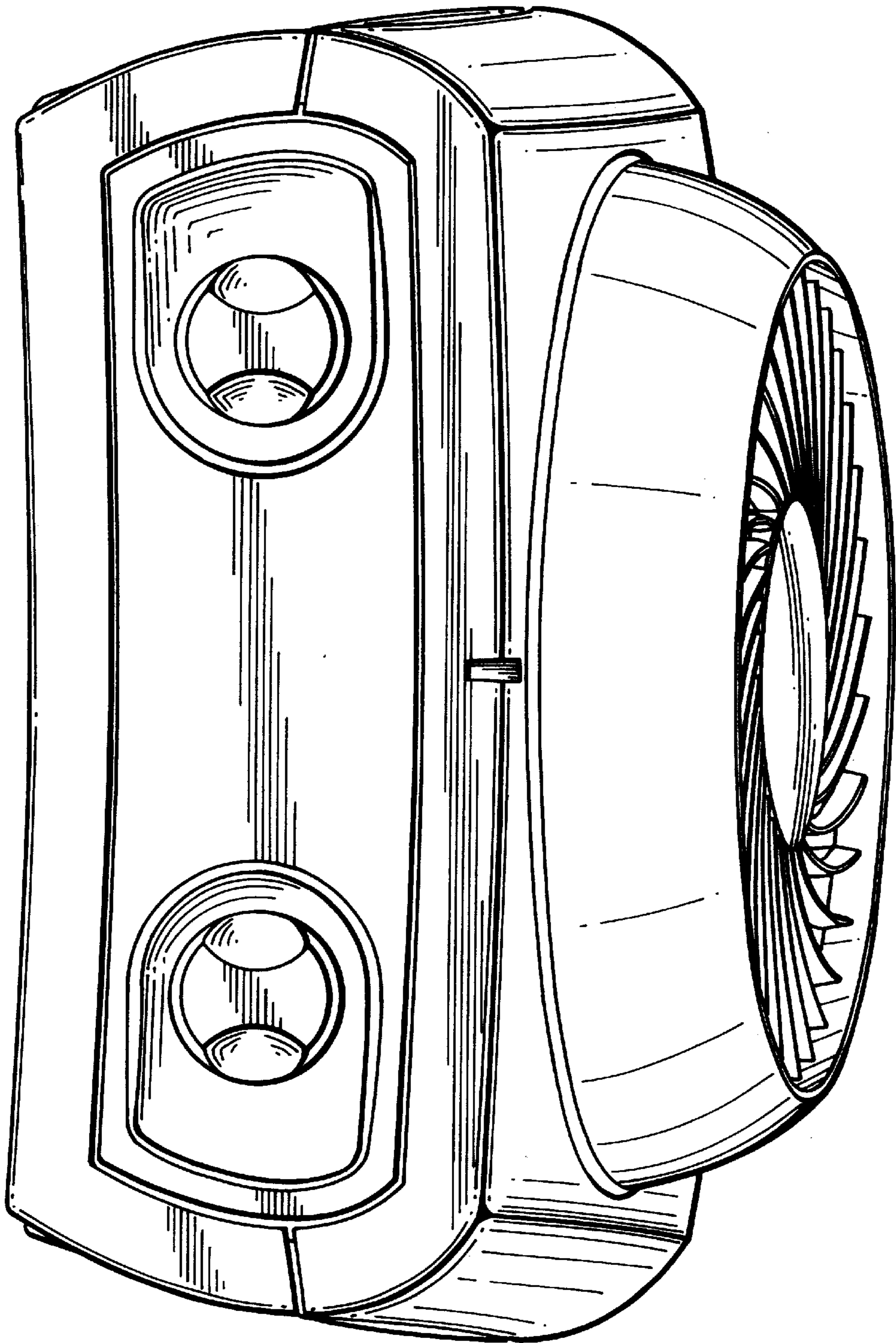


FIG. 5

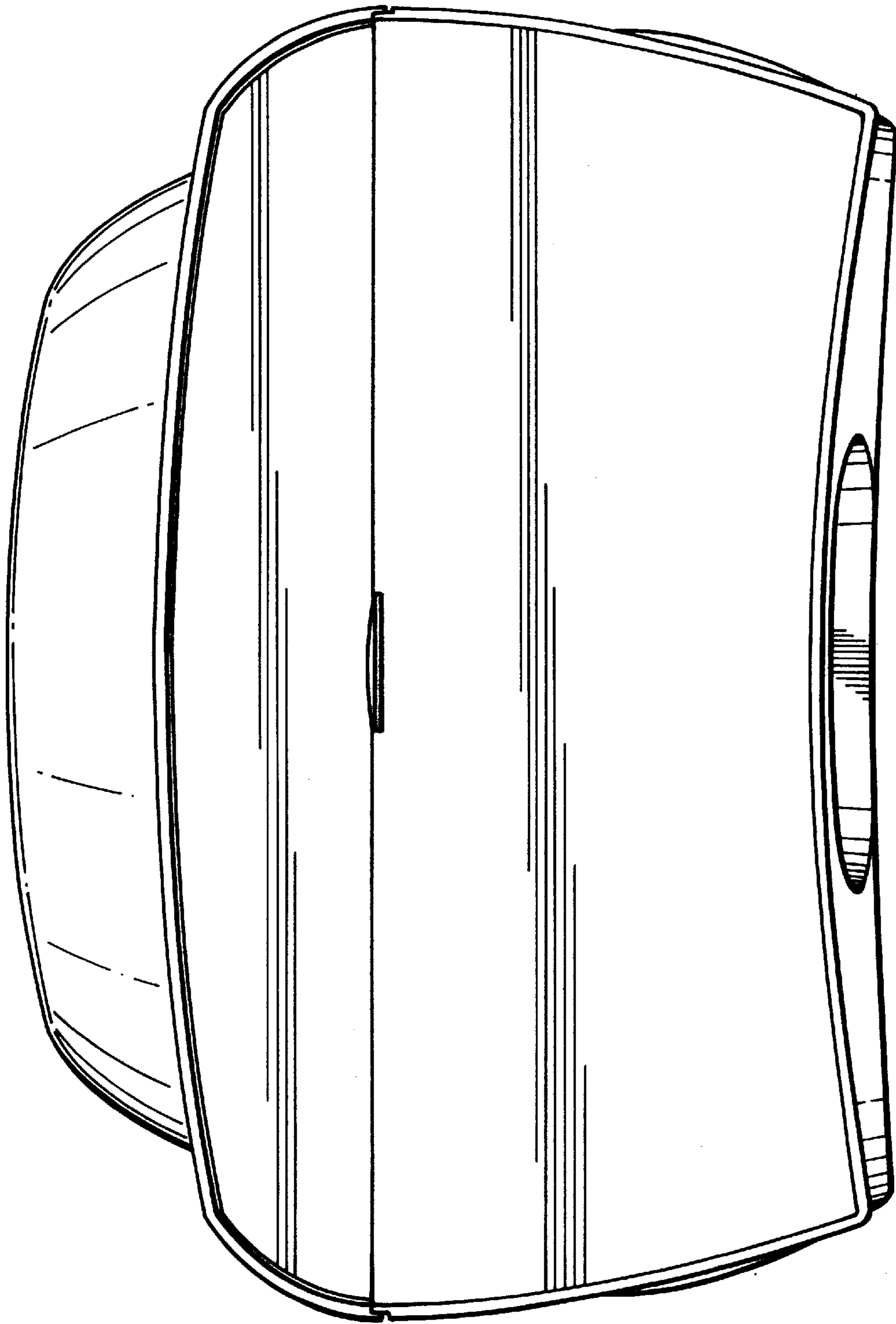


FIG. 6