



US00D418590S

United States Patent [19]
Tracy

[11] **Patent Number: Des. 418,590**
[45] **Date of Patent: ** Jan. 4, 2000**

[54] **SPRAYER ATTACHMENT FOR A FAUCET**

[76] Inventor: **Martin Tracy**, 546 Whitevale Rd.,
Whitevale, Ontario, Canada, LOH 1M0

[**] Term: **14 Years**

[21] Appl. No.: **29/101,145**

[22] Filed: **Feb. 24, 1999**

[51] **LOC (7) Cl.** **23-02**

[52] **U.S. Cl.** **D23/303; D23/213**

[58] **Field of Search** D23/213, 214,
D23/238-243, 250-257, 303-311, 229;
4/601, 615, 661, 675-678, 903, 605

[56] **References Cited**

U.S. PATENT DOCUMENTS

- D. 351,641 10/1994 Buecker D23/213
- D. 364,915 12/1995 Huang D23/213
- D. 374,273 10/1996 Chan D23/213

- D. 375,140 10/1996 Chan D23/213
- D. 394,897 6/1998 Chan D23/213
- D. 405,504 2/1999 Huen D23/229
- D. 408,893 4/1999 Tse D23/229
- 5,149,146 9/1992 Simoni 285/166

Primary Examiner—Eric Watterson
Attorney, Agent, or Firm—Merek & Voorhees

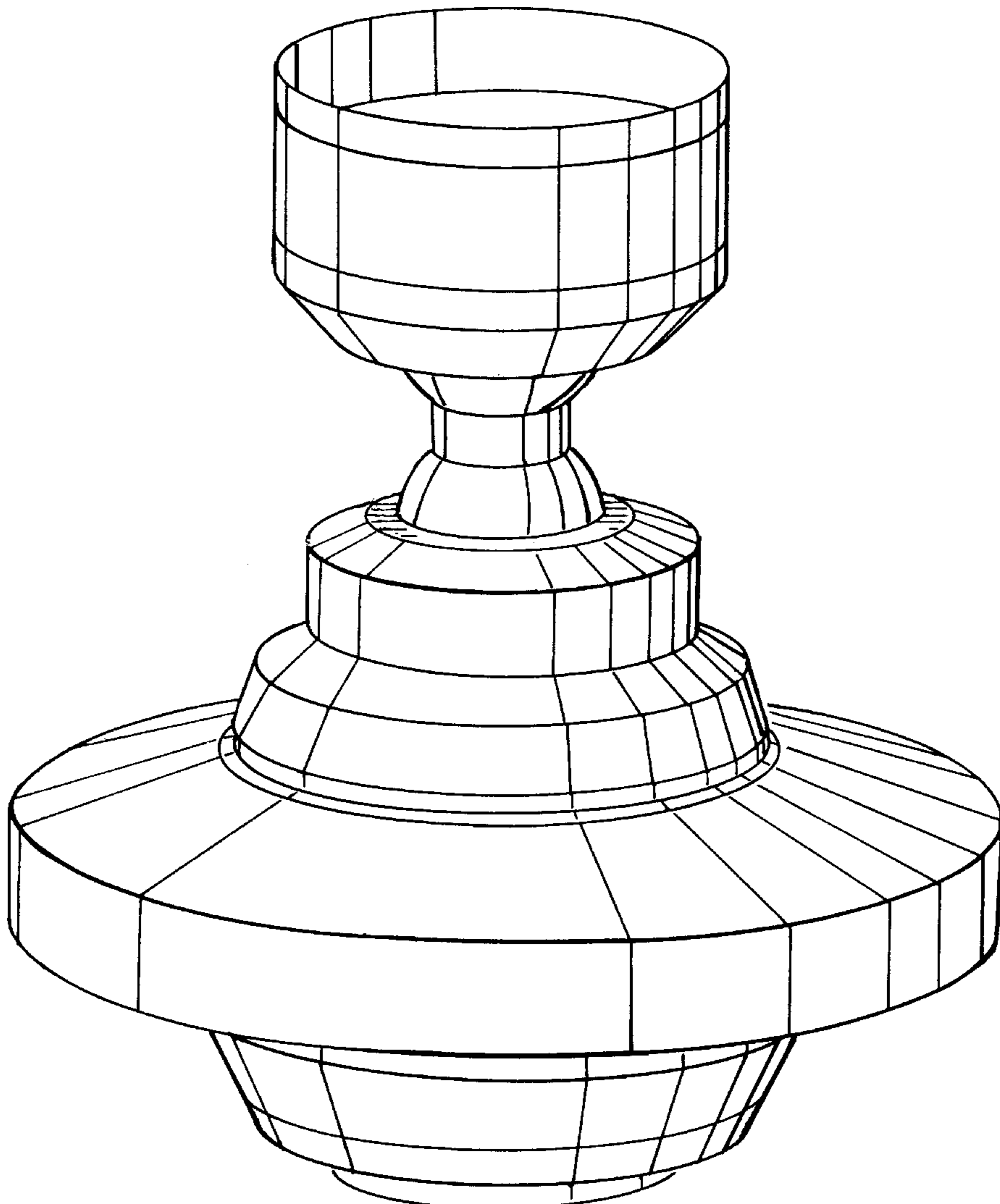
[57] **CLAIM**

The ornamental design for a sprayer attachment for a faucet,
as shown and described.

DESCRIPTION

FIG. 1 is an upper side perspective view of a faucet sprayer
showing my new design;
FIG. 2 is a side elevational, the opposite side being a mirror
image thereof;
FIG. 3 is a bottom view thereof; and,
FIG. 4 is a top plan view thereof.

1 Claim, 3 Drawing Sheets



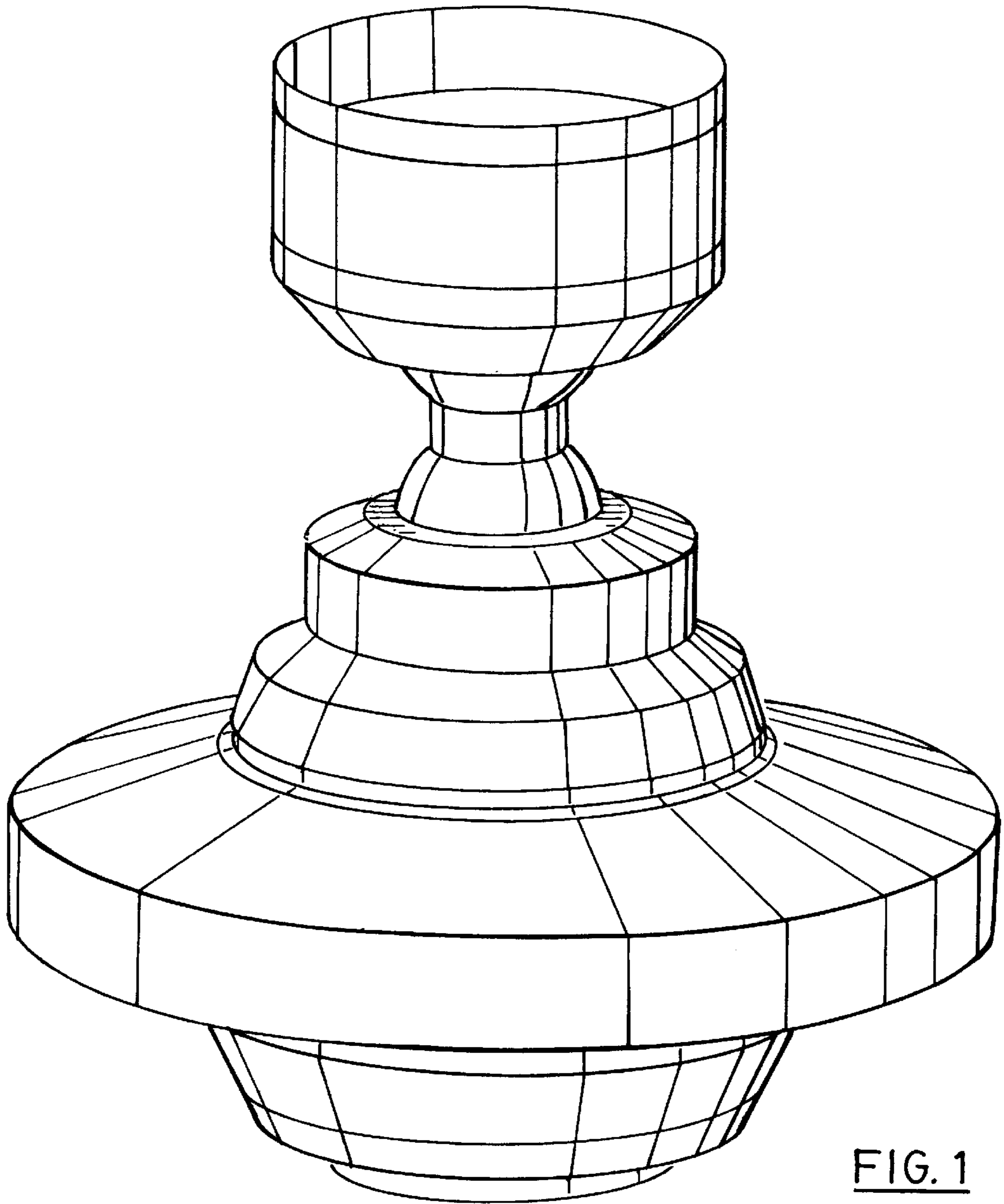


FIG. 1

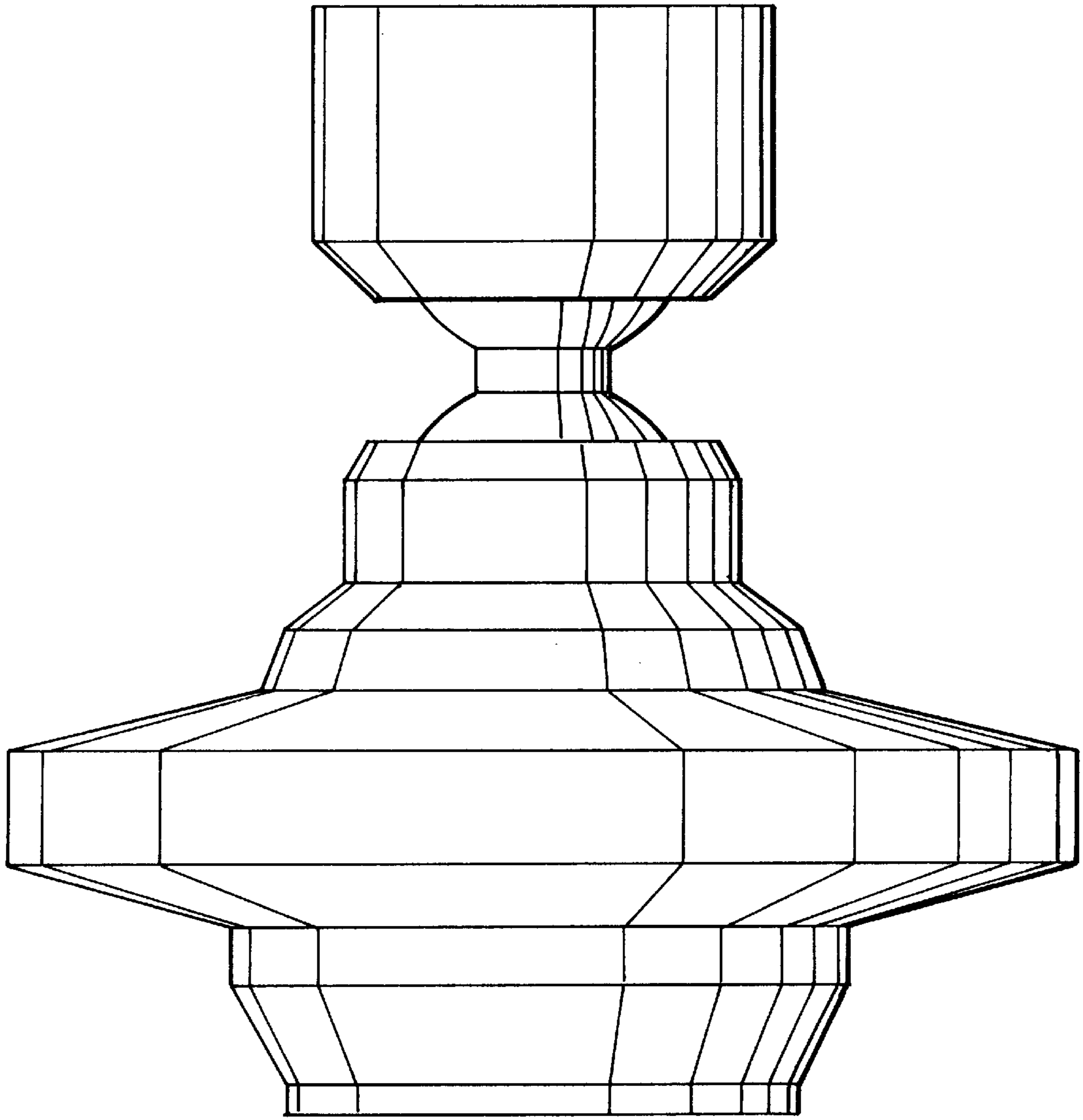


FIG. 2

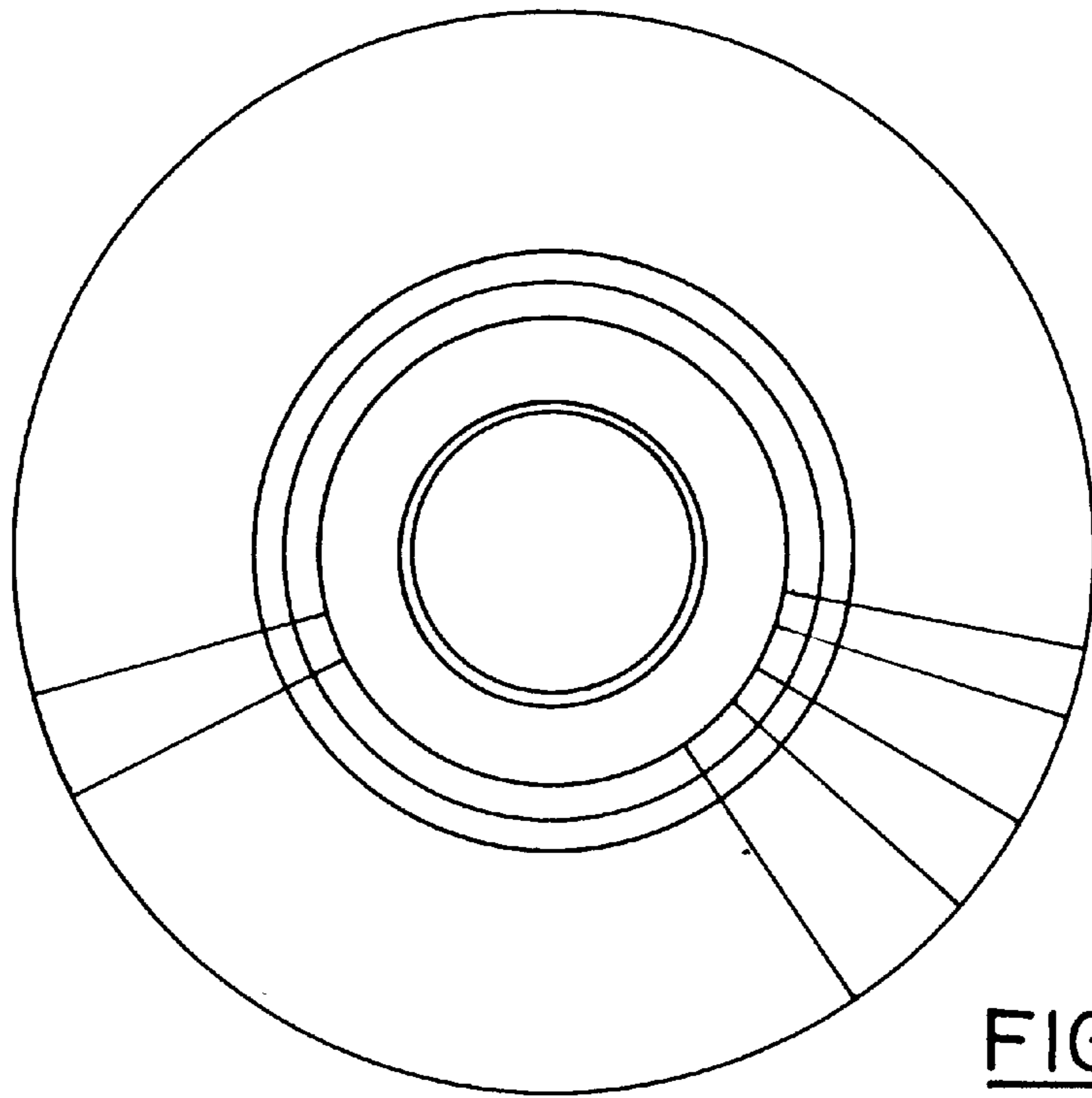


FIG. 3

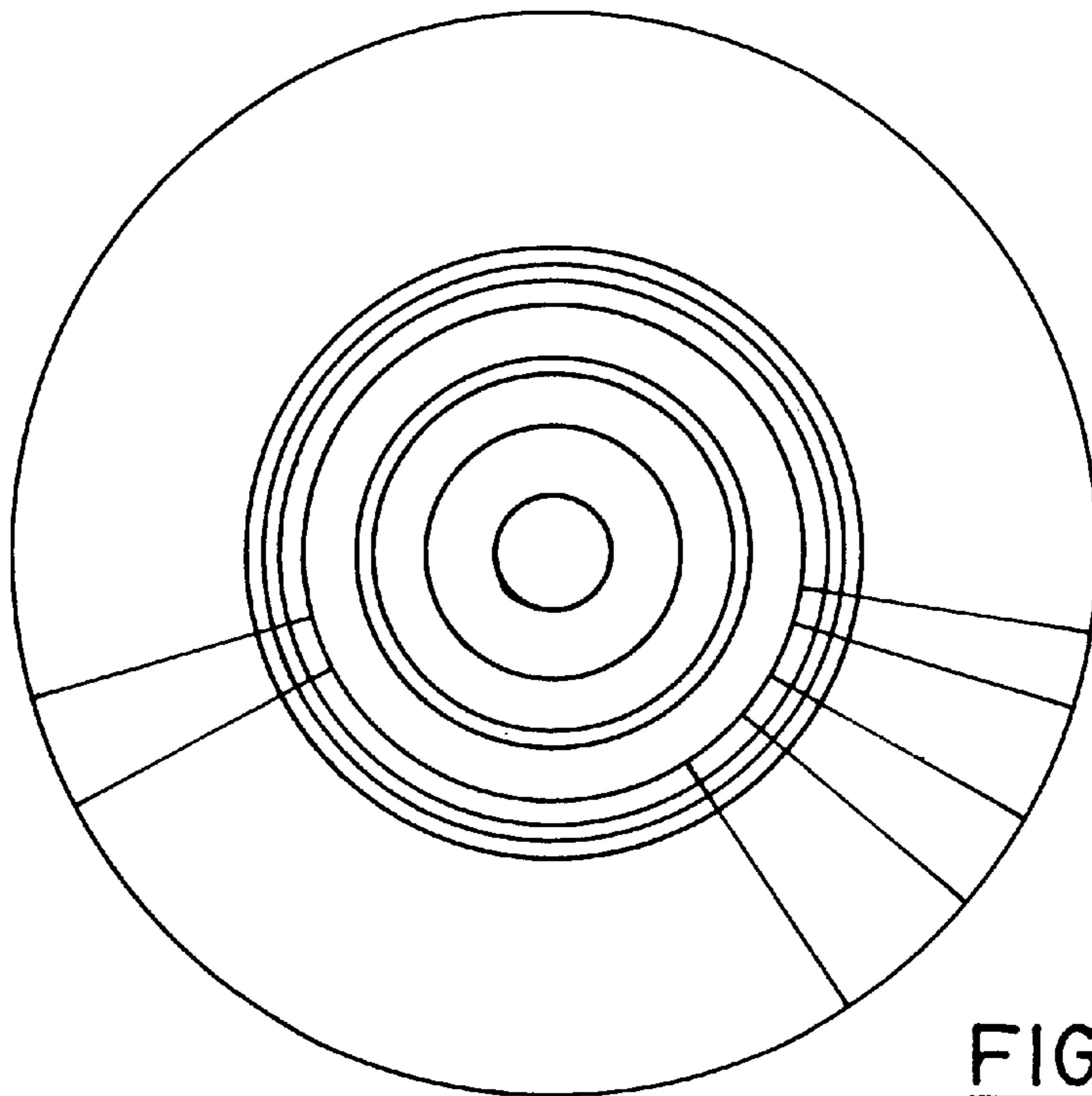


FIG. 4