



US00D418589S

United States Patent [19] Starck

[11] **Patent Number: Des. 418,589**
[45] **Date of Patent: ** Jan. 4, 2000**

[54] SHOWER INSTALLATION

[75] Inventor: **Philippe Starck**, Issy-les-Moulineaux, France

[73] Assignee: **Hans Grohe GmbH & Co. KG**, Germany

[**] Term: **14 Years**

[21] Appl. No.: **29/094,656**

[22] Filed: **Oct. 7, 1998**

[30] Foreign Application Priority Data

Apr. 11, 1998 [DE] Germany M9803767

[51] **LOC (7) Cl.** **23-02**

[52] **U.S. Cl.** **D23/283**

[58] **Field of Search** D23/275-283;
4/596, 600-612

[56] References Cited

U.S. PATENT DOCUMENTS

D. 212,224	9/1968	Moore	D23/283
D. 235,773	7/1975	Ohlson	D23/283
D. 256,610	8/1980	Belkir	D23/283
D. 323,208	1/1992	Gunther	D23/283
D. 339,860	9/1993	Hildebrand	D23/283
D. 349,151	7/1994	Fernandez	D23/213
D. 380,528	7/1997	D'Andrea	D23/283
D. 381,407	7/1997	Myrset	D23/275
D. 385,019	10/1997	Sadler	D23/283
D. 388,838	1/1998	Hudson, Jr.	D21/401

OTHER PUBLICATIONS

Page from the Journal of Dornbracht, published Mar., 1998.

Primary Examiner—Eric Watterson
Attorney, Agent, or Firm—Duane, Morris & Heckscher LLP

[57] CLAIM

The ornamental design for a shower installation, as shown and described.

DESCRIPTION

FIG. 1 is a front side perspective view of a shower installation, showing my new design;
 FIG. 2 is a front elevation view thereof;
 FIG. 3 is a side elevation view thereof;
 FIG. 4 is an opposite side elevation view thereof;
 FIG. 5 is a rear elevation view thereof;
 FIG. 6 is a top plan view thereof;
 FIG. 7 is a bottom plan view thereof;
 FIG. 8 is a front side perspective view of a shower installation, with the shower curtain shown in broken lines;
 FIG. 9 is a front elevation view thereof;
 FIG. 10 is a side elevation view thereof;
 FIG. 11 is an opposite side elevation view thereof;
 FIG. 12 is a rear elevation view thereof;
 FIG. 13 is a top plan view thereof; and,
 FIG. 14 is a bottom plan view thereof.

The broken line showing of the shower curtain is for illustrative purposes only and forms no part of the claimed design.

1 Claim, 12 Drawing Sheets

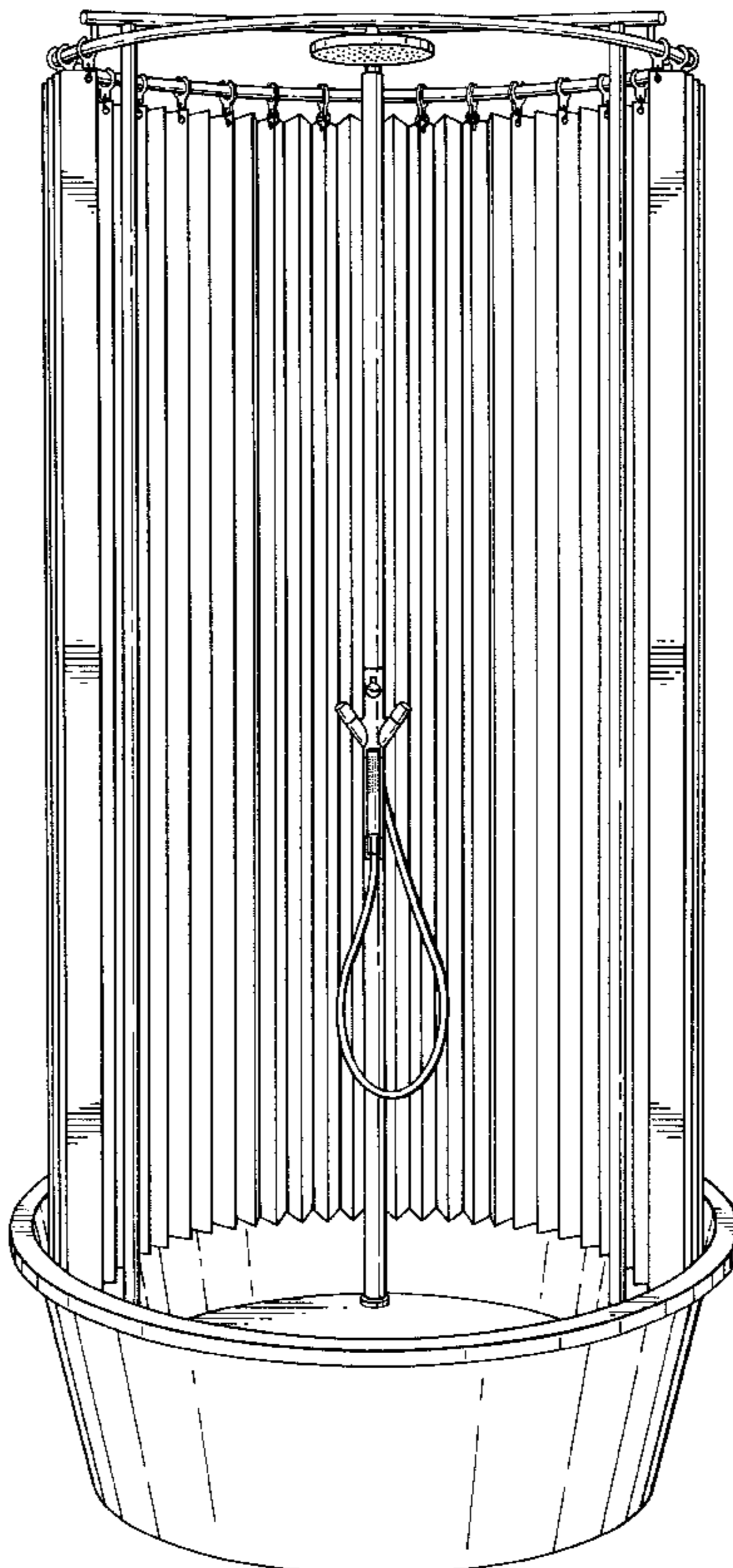


Fig. 1

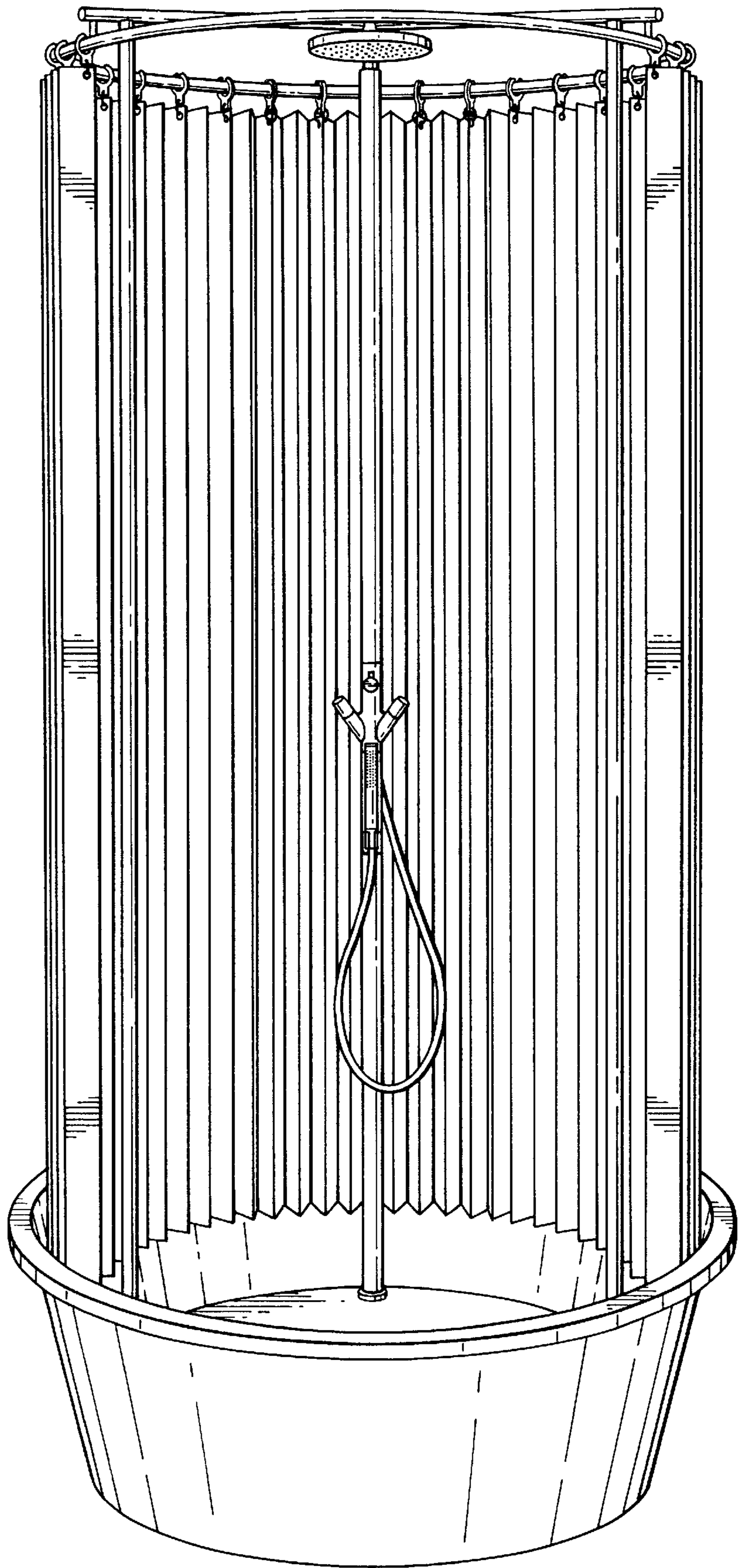


Fig. 2

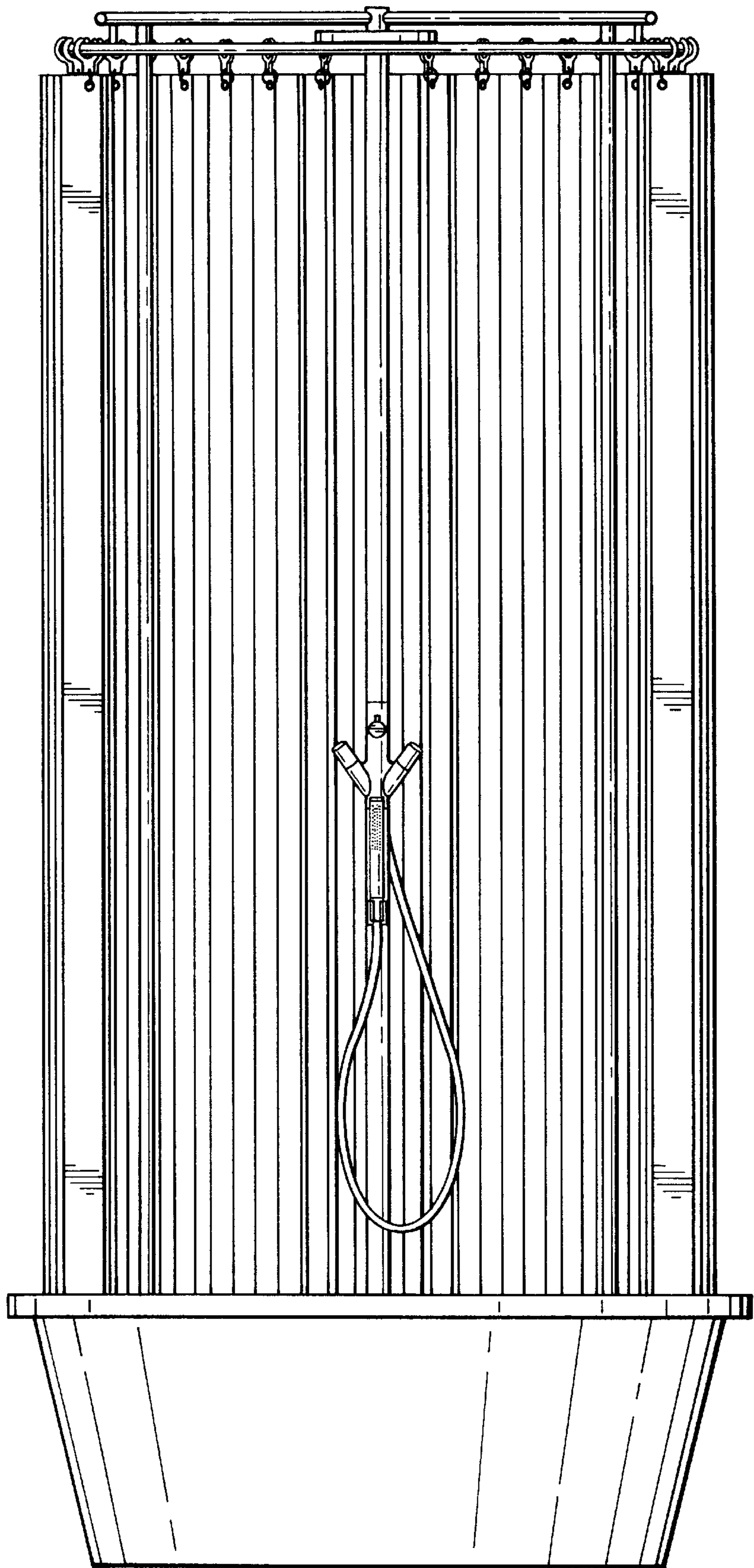


Fig. 3

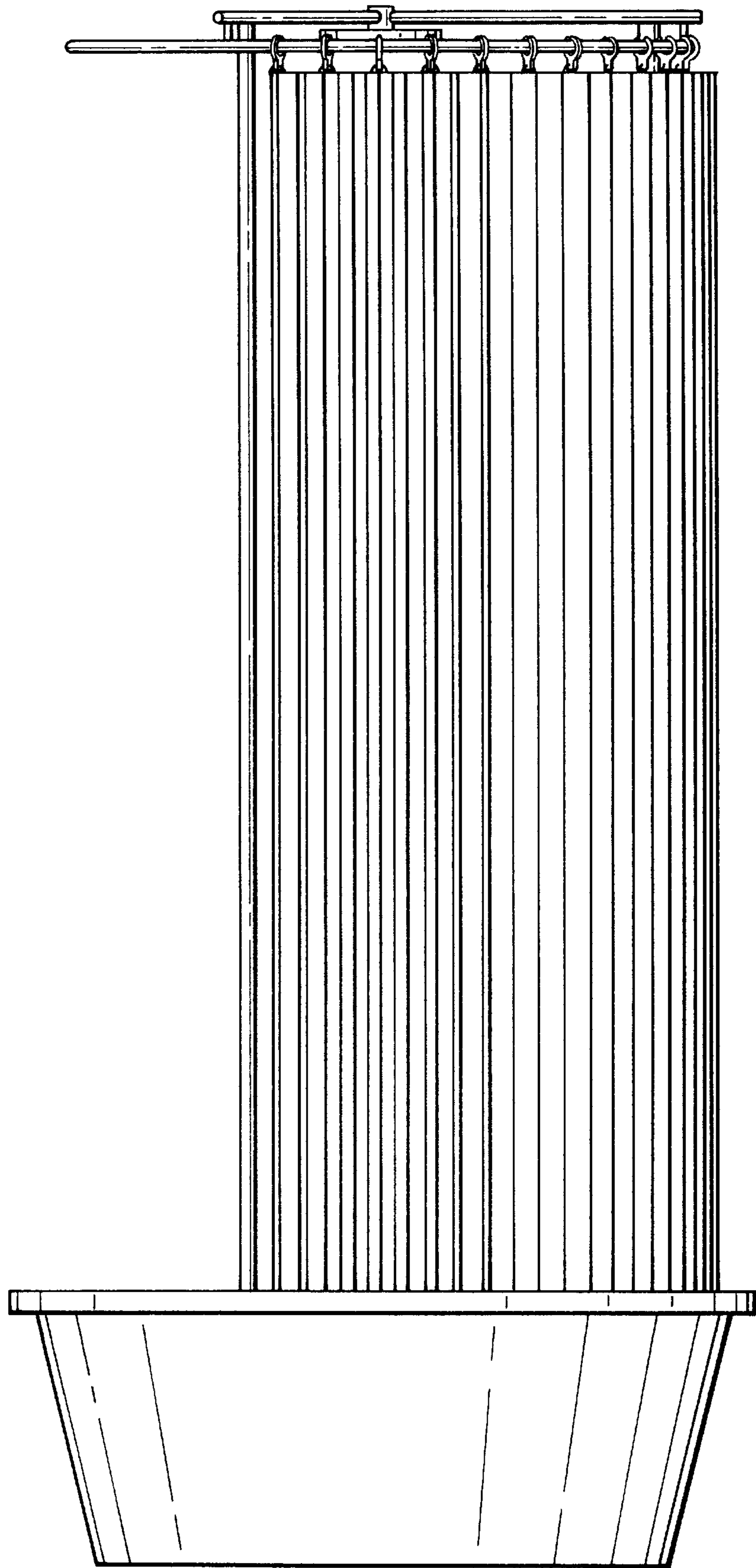


Fig. 4

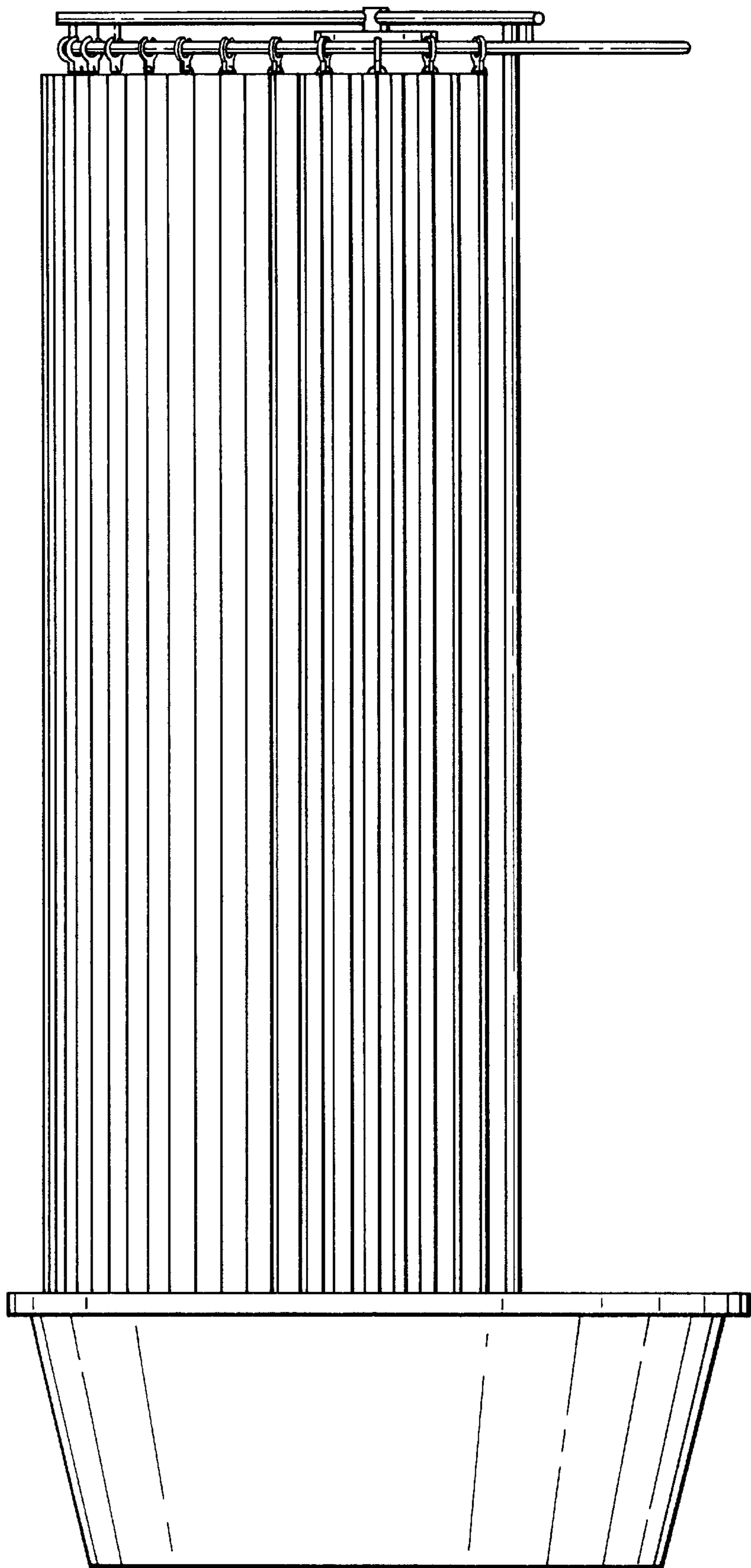


Fig. 5

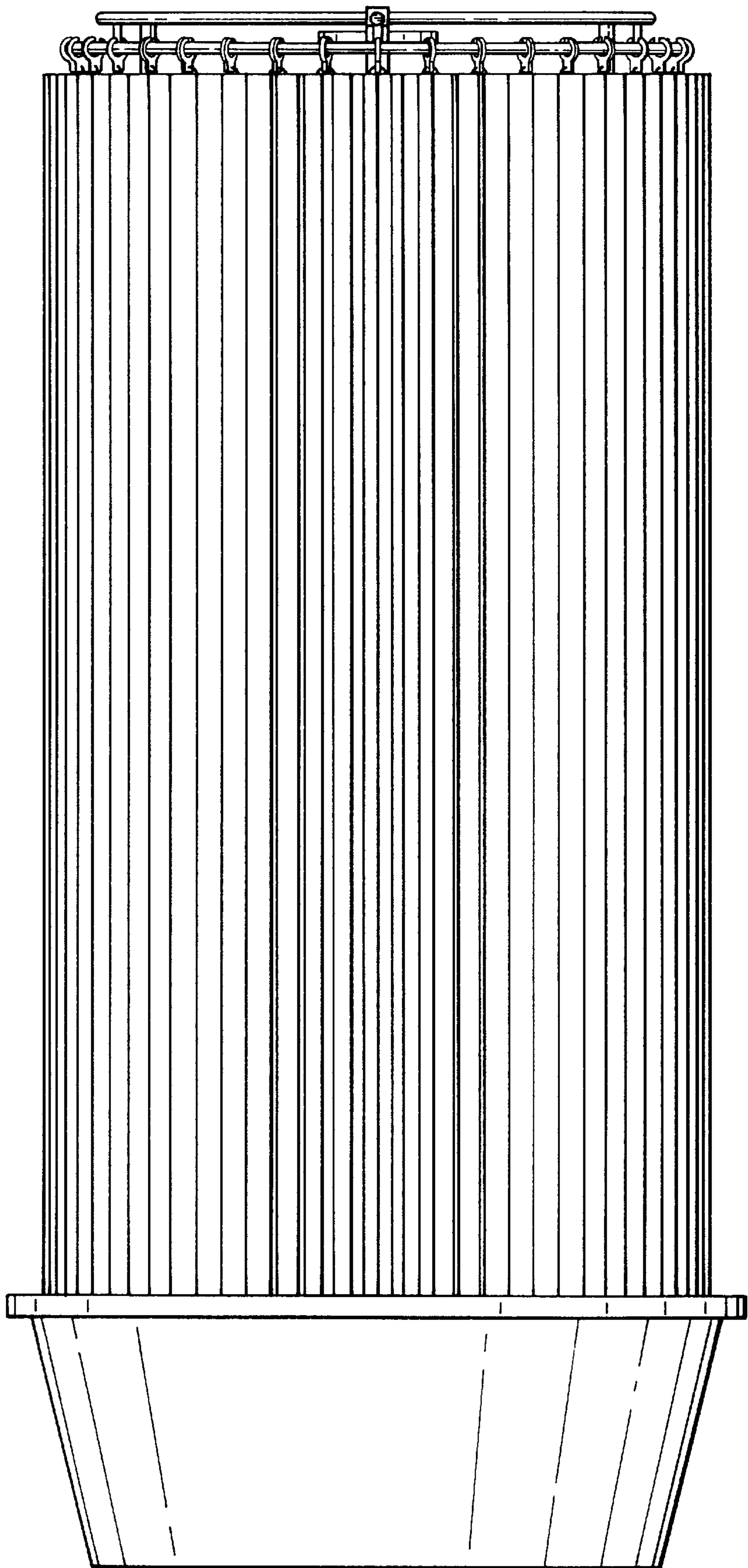


Fig. 6

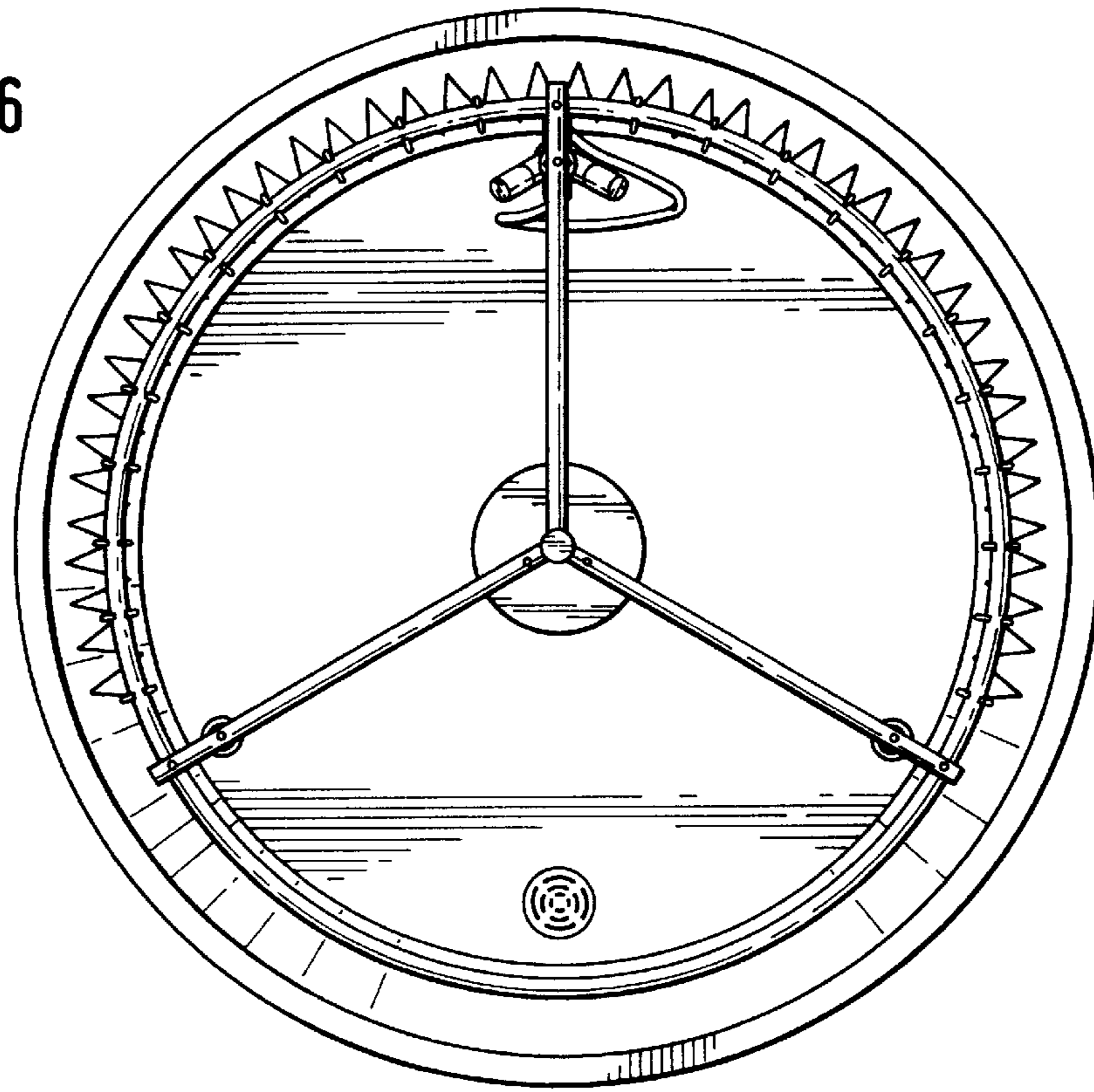
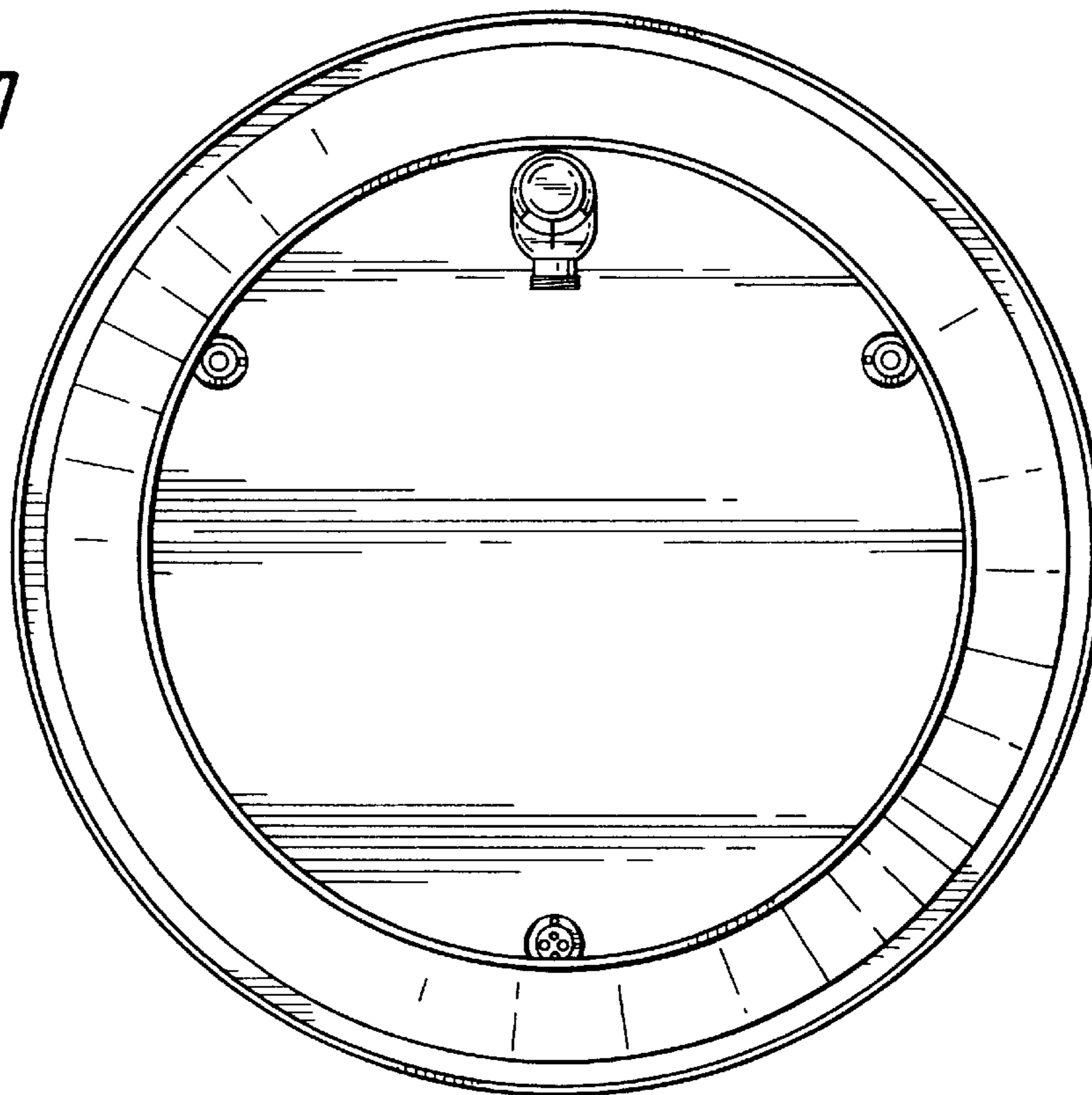


Fig. 7



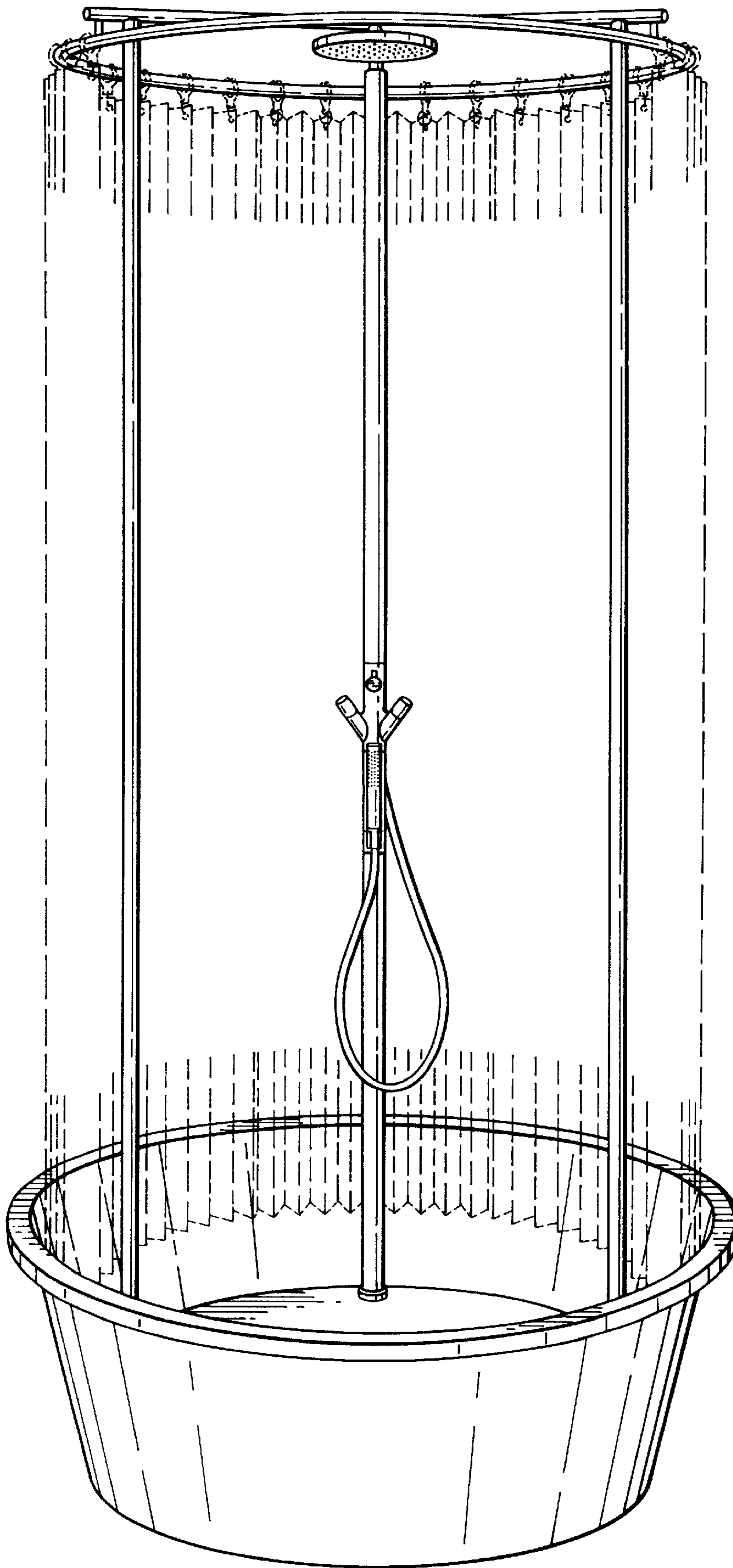


Fig. 8

Fig. 9

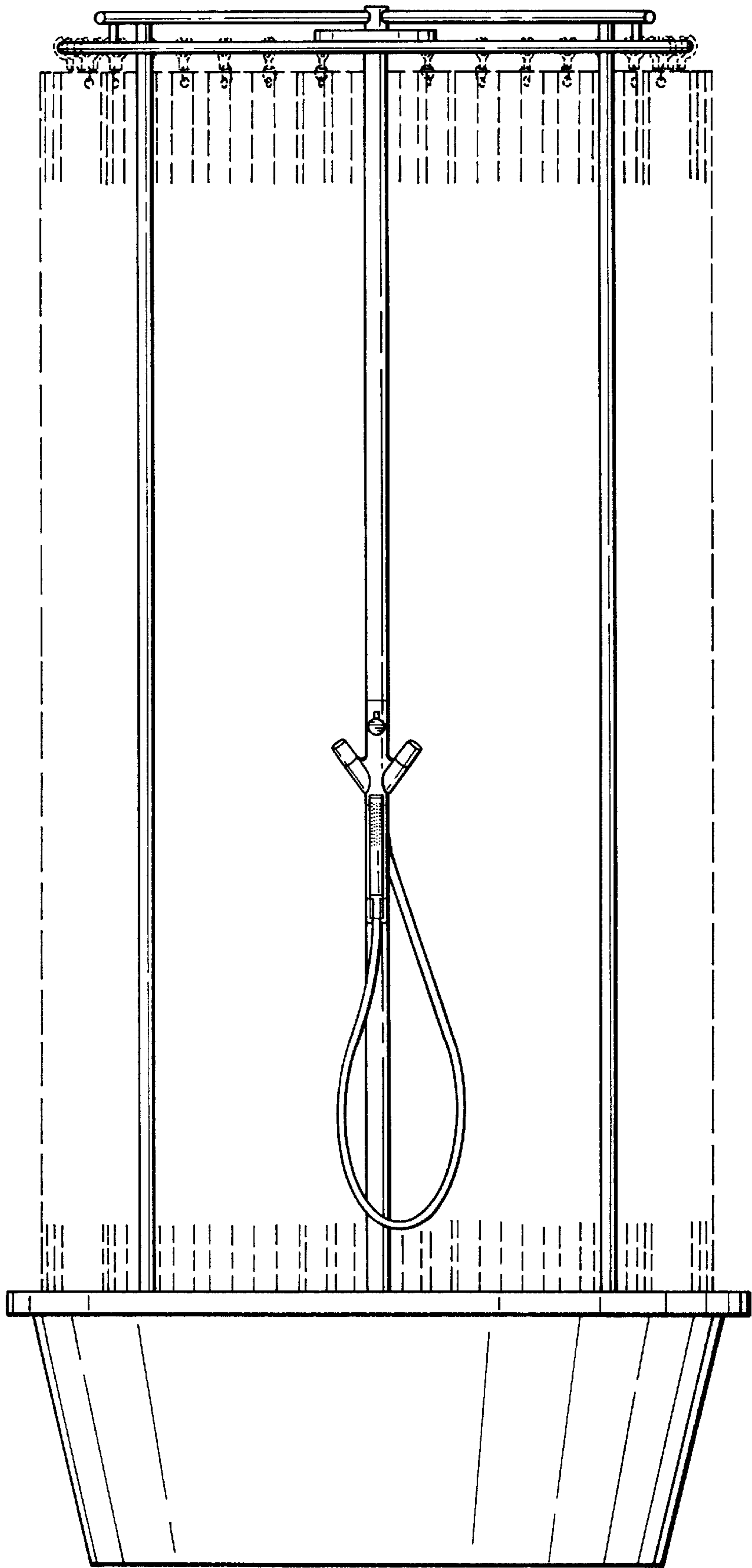


Fig. 10

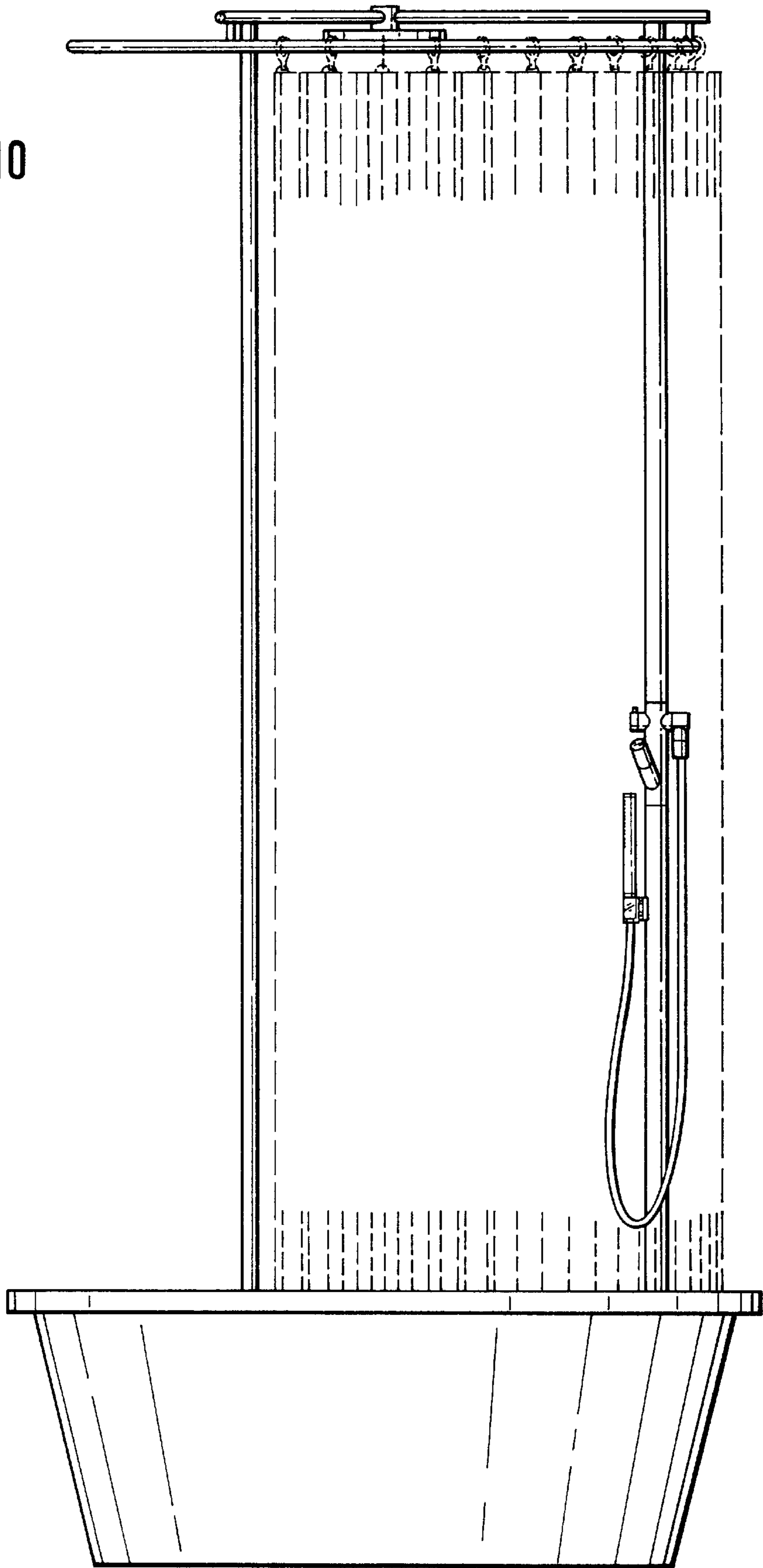


Fig. 11

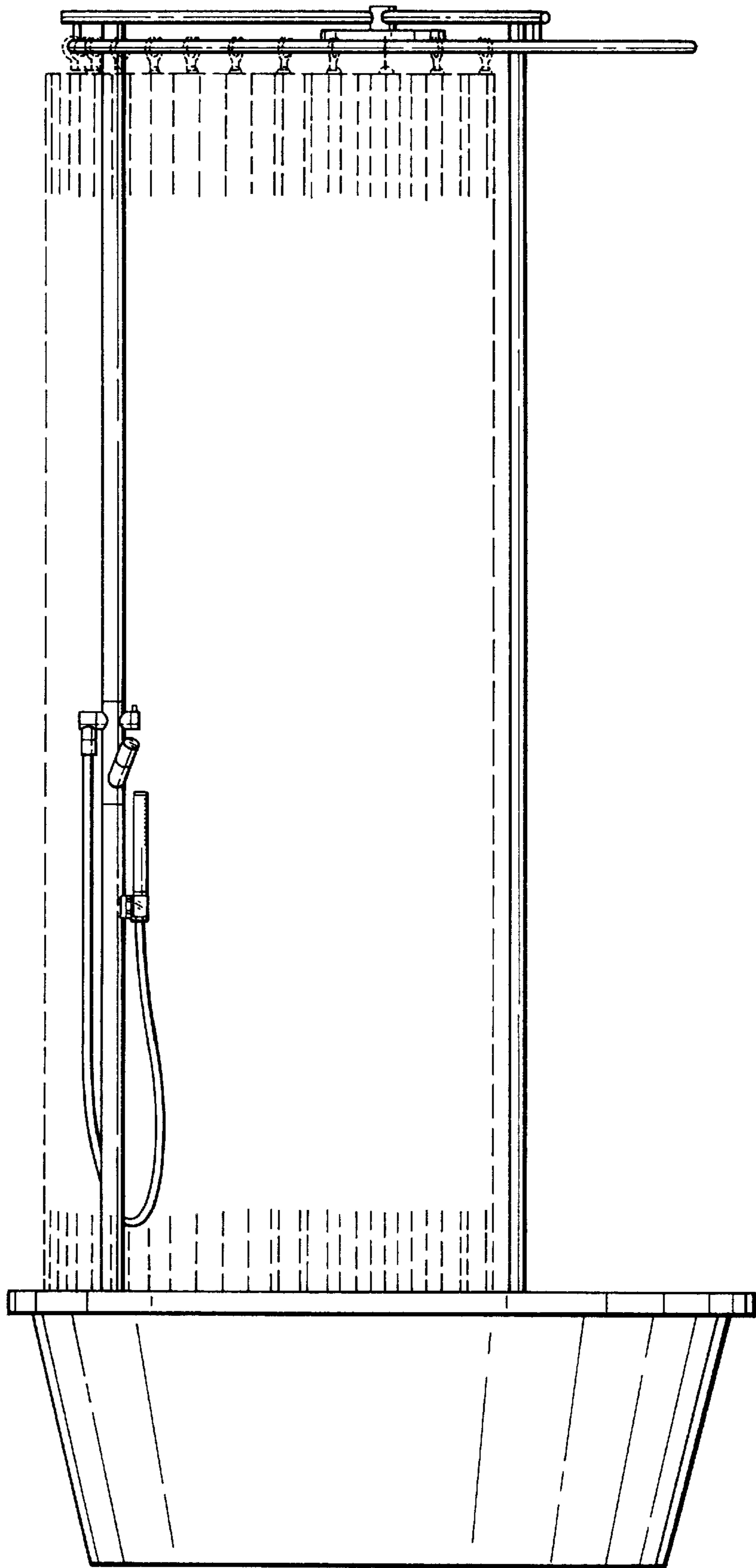


Fig.12

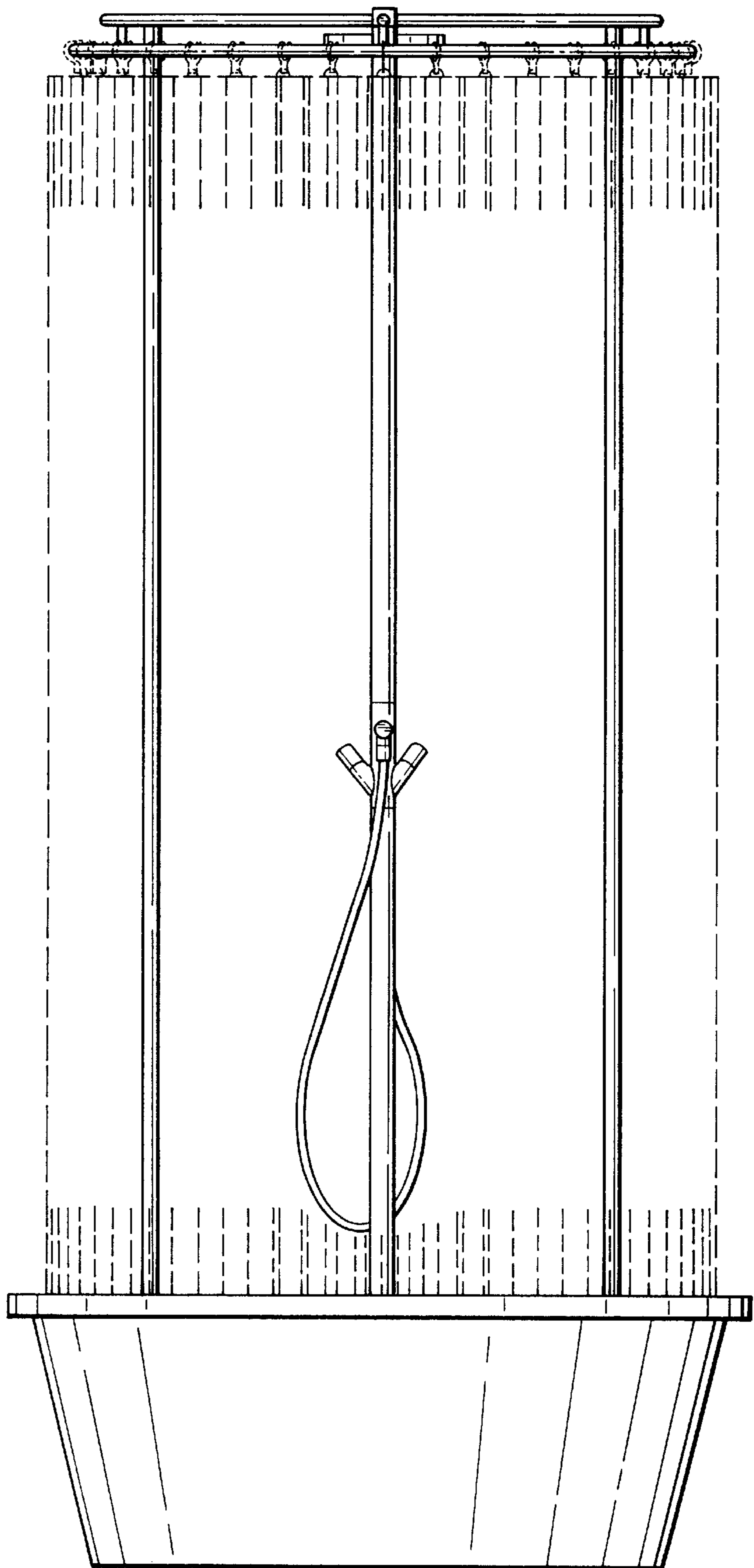


Fig. 13

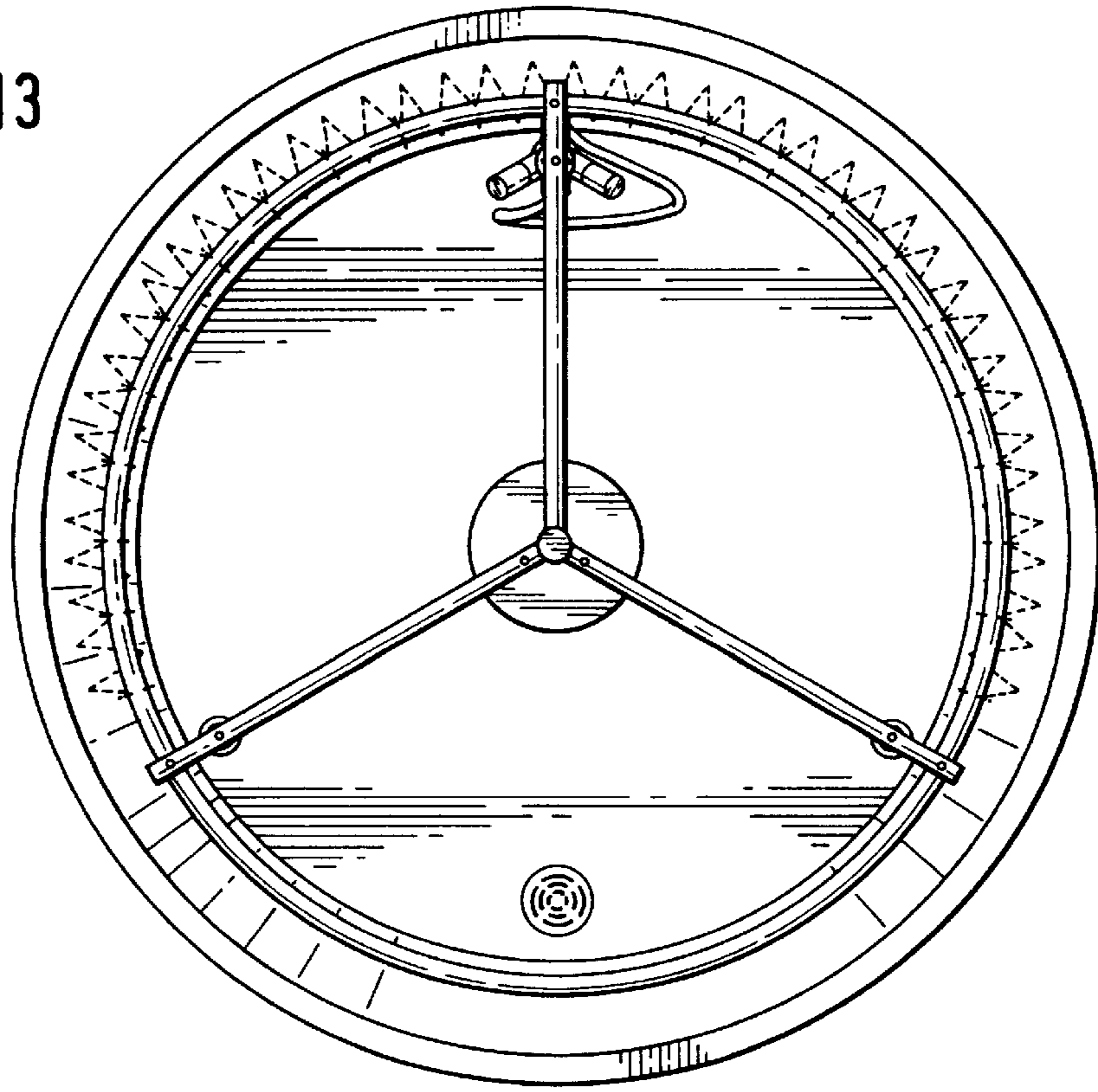


Fig. 14

