



US00D418585S

United States Patent [19]

[11] **Patent Number: Des. 418,585**

Lord

[45] **Date of Patent: ** *Jan. 4, 2000**

[54] **HAND HELD PULL-OUT SPRAY FOR A FAUCET**

[75] Inventor: **Judd A. Lord, Carmel, Ind.**

[73] Assignee: **Masco Corporation of Indiana, Indianapolis, Ind.**

[*] Notice: This patent is subject to a terminal disclaimer.

[**] Term: **14 Years**

[21] Appl. No.: **29/091,216**

[22] Filed: **Jul. 23, 1998**

[51] **LOC (7) Cl. 23-01**

[52] **U.S. Cl. D23/255; D23/213**

[58] **Field of Search D23/238-243, D23/250-257, 213; 4/675-678; 137/801**

[56] **References Cited**

U.S. PATENT DOCUMENTS

D. 227,363	6/1973	Genaro	D23/255
D. 261,027	9/1981	Klose	D23/255
D. 266,785	11/1982	Thompson	D23/255
D. 271,706	12/1983	Fabian	D23/255

Primary Examiner—Eric Watterson

Attorney, Agent, or Firm—Myron B. Kapustij; Lloyd D. Doigan

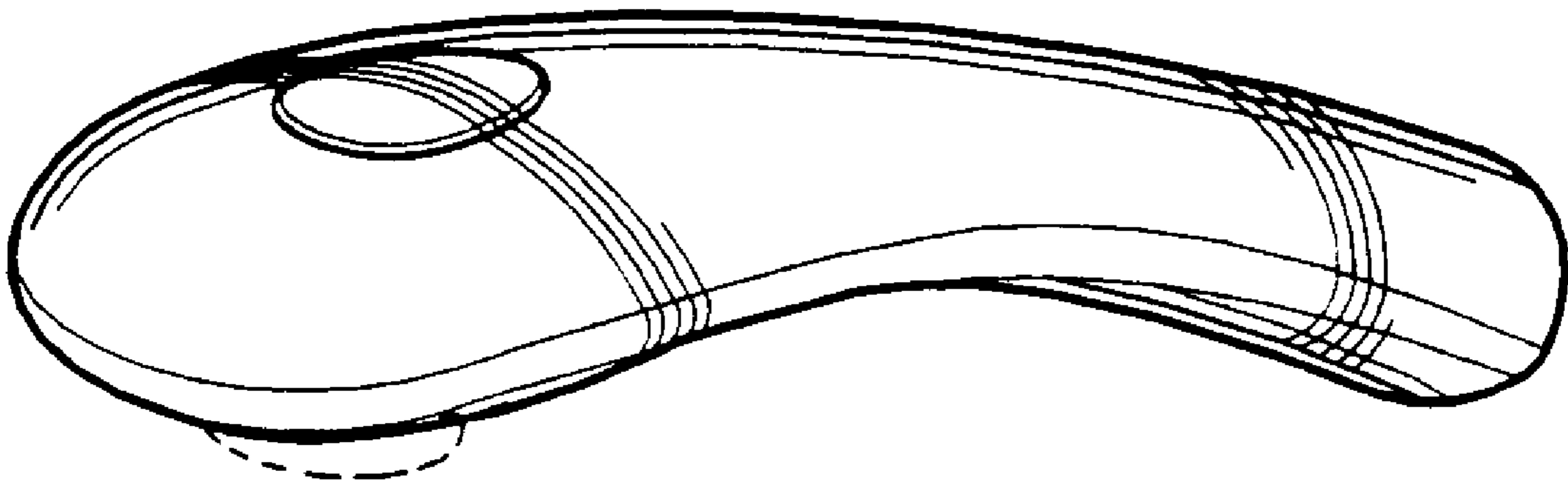
[57] **CLAIM**

The ornamental design for a hand held pull-out spray for a faucet, as shown and described.

DESCRIPTION

FIG. 1 is a top, front perspective view of a hand held pull-out spray for a faucet showing my new design;
 FIG. 2 is a top, rear perspective view thereof;
 FIG. 3 is a top plan view thereof;
 FIG. 4 is a right side elevational view, the left side being a mirror image thereof;
 FIG. 5 is a rear elevational view thereof;
 FIG. 6 is a front elevational view thereof;
 FIG. 7 is a bottom plan view thereof;
 FIG. 8 is a top, front perspective view of a second embodiment of the hand held pull-out spray for a faucet, differing from the embodiment of FIG. 1 in that it has a longer neck;
 FIG. 9 is a right side elevational view of the pull-out spray illustrated in FIG. 8, the left side being a mirror image;
 FIG. 10 is a top, front perspective view of a third embodiment of the hand held pull-out spray for a faucet, differing from the embodiment of FIG. 1 in that it has a shorter neck; and,
 FIG. 11 is a right side elevational view of the pull-out spray illustrated in FIG. 10, the left side being a mirror image.
 The broken line representation of the spray face in FIGS. 1, 4 and 6-11 is for purposes of illustration only and forms no part of the claimed design.

1 Claim, 3 Drawing Sheets



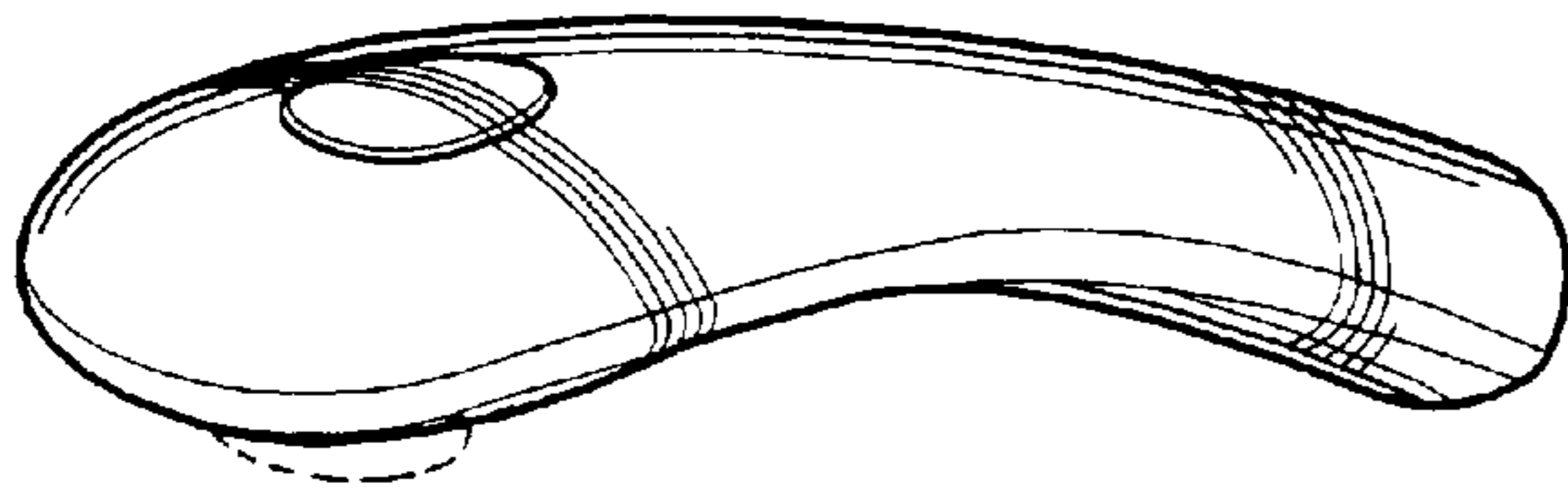


Fig-1

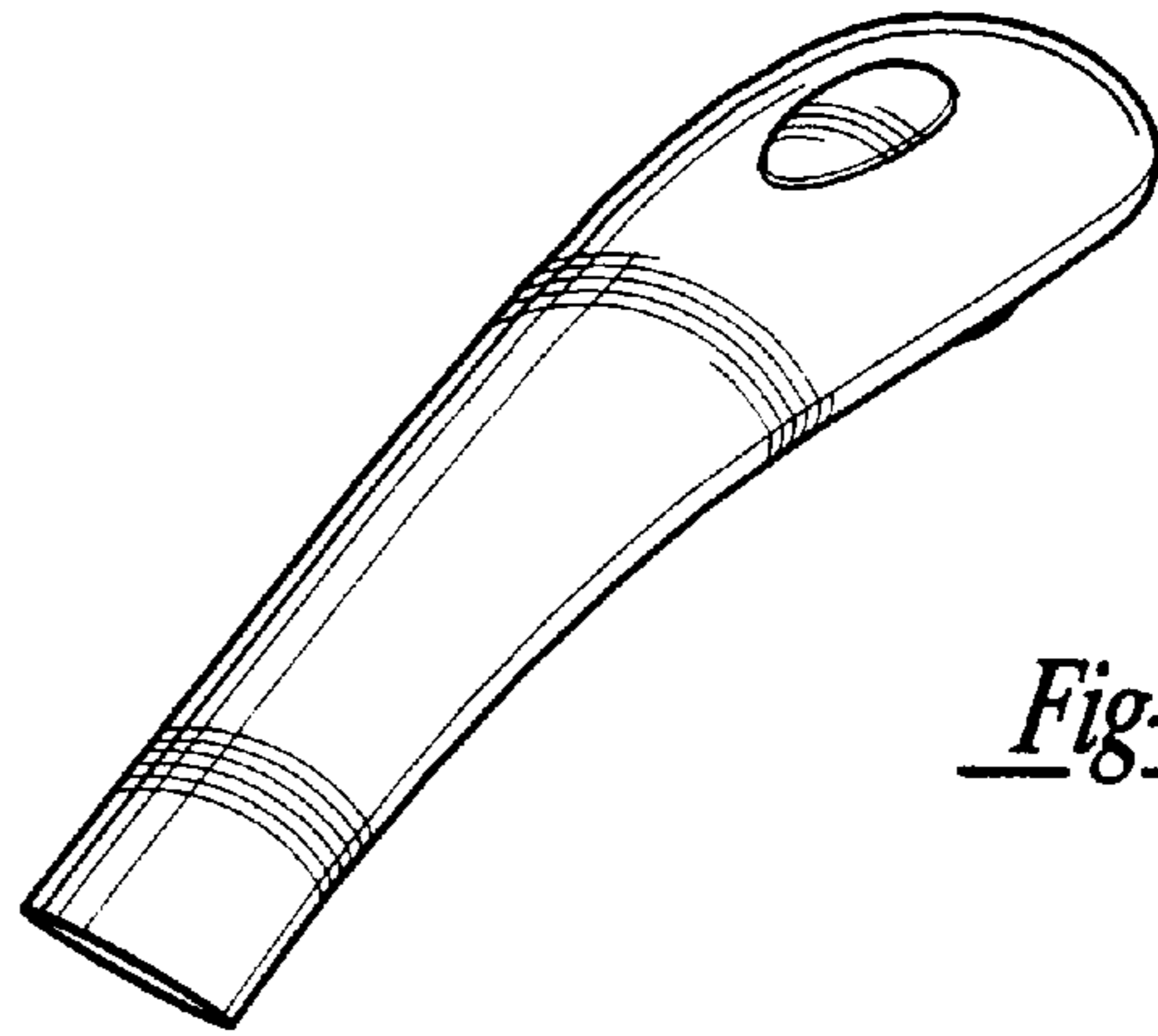


Fig-2

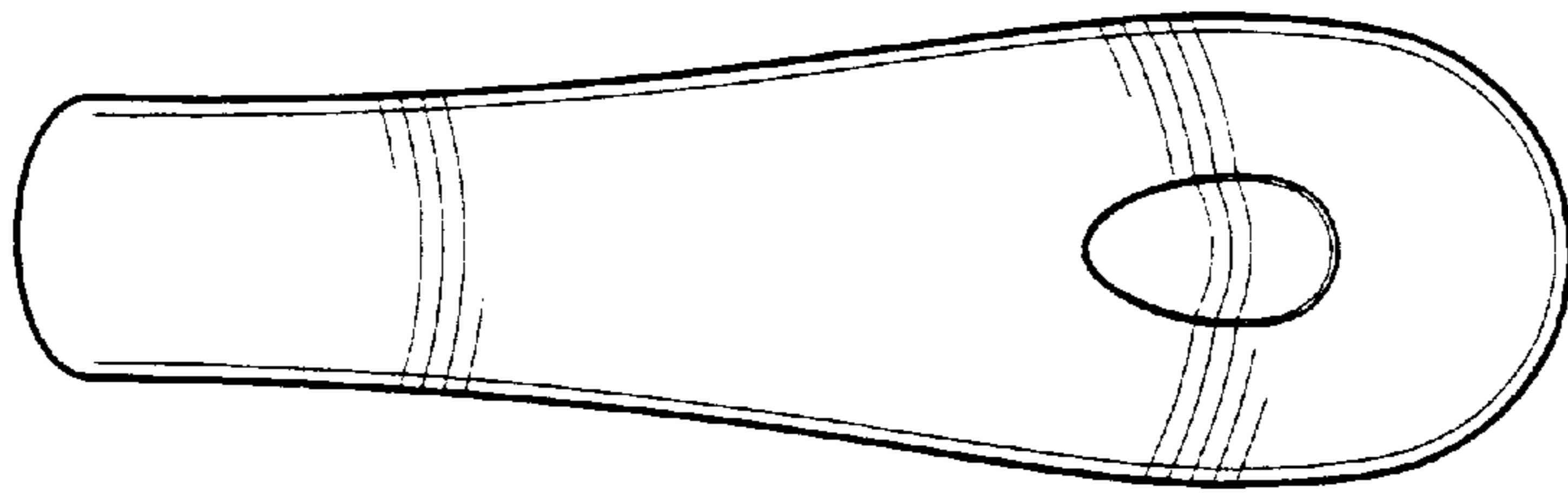


Fig-3

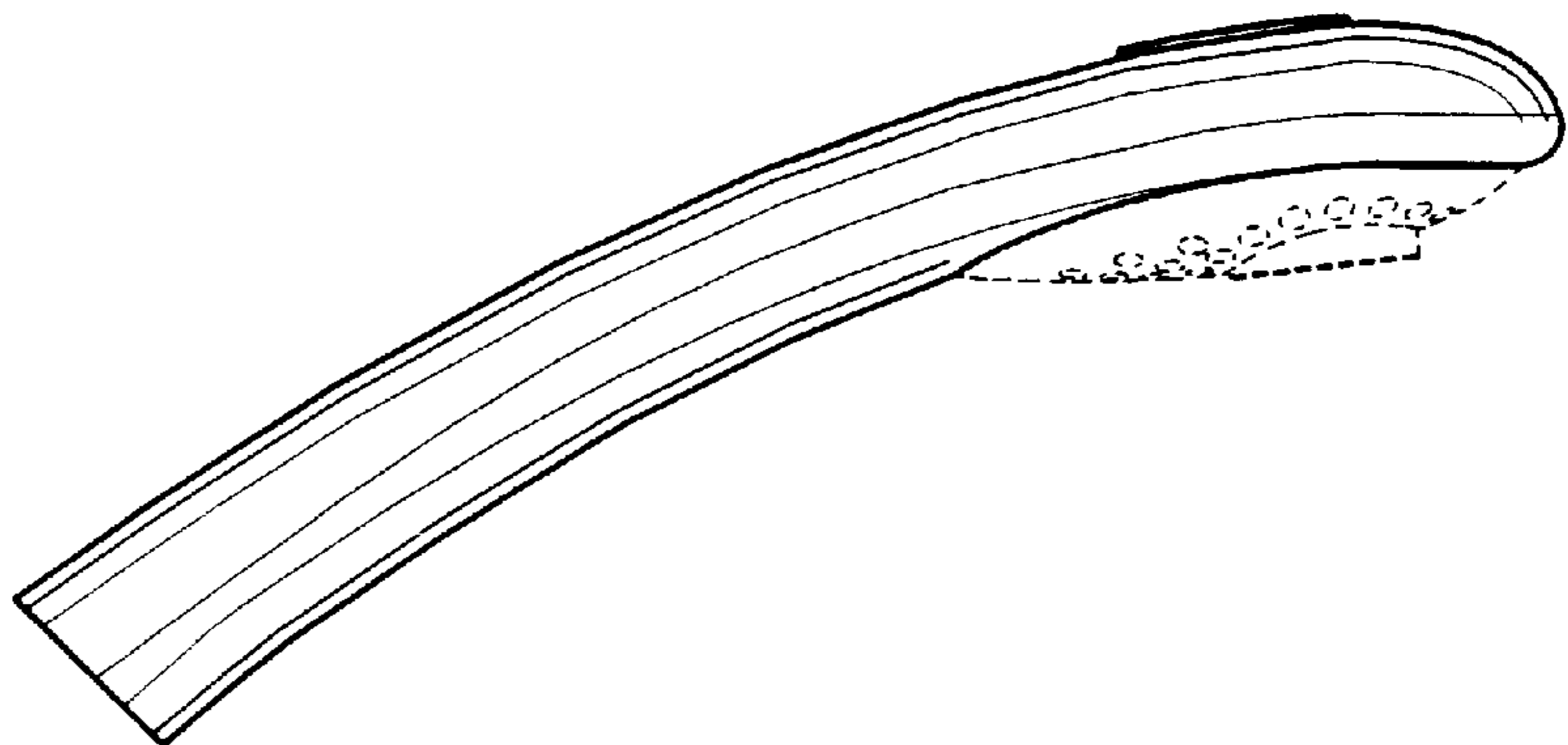


Fig-4

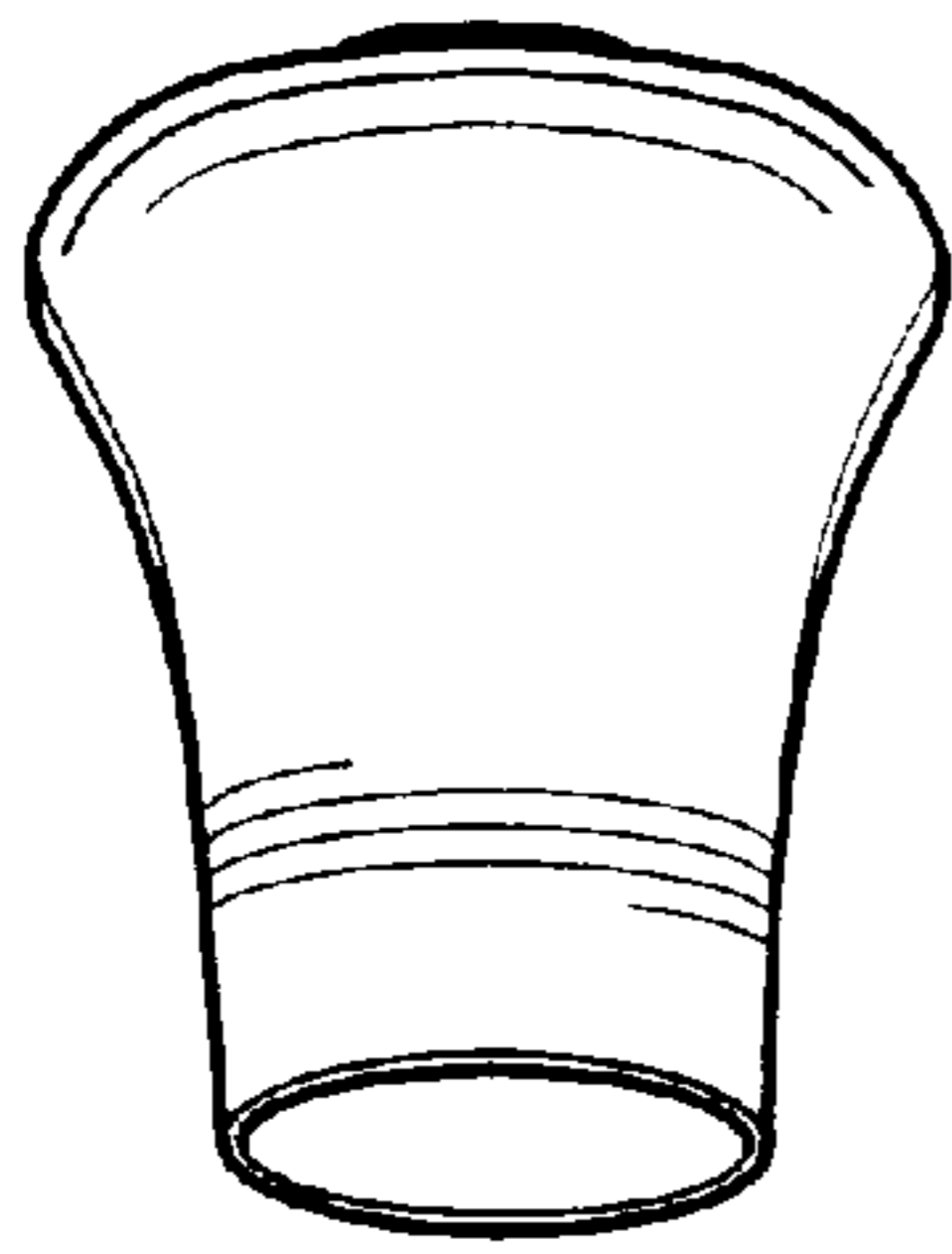


Fig-5

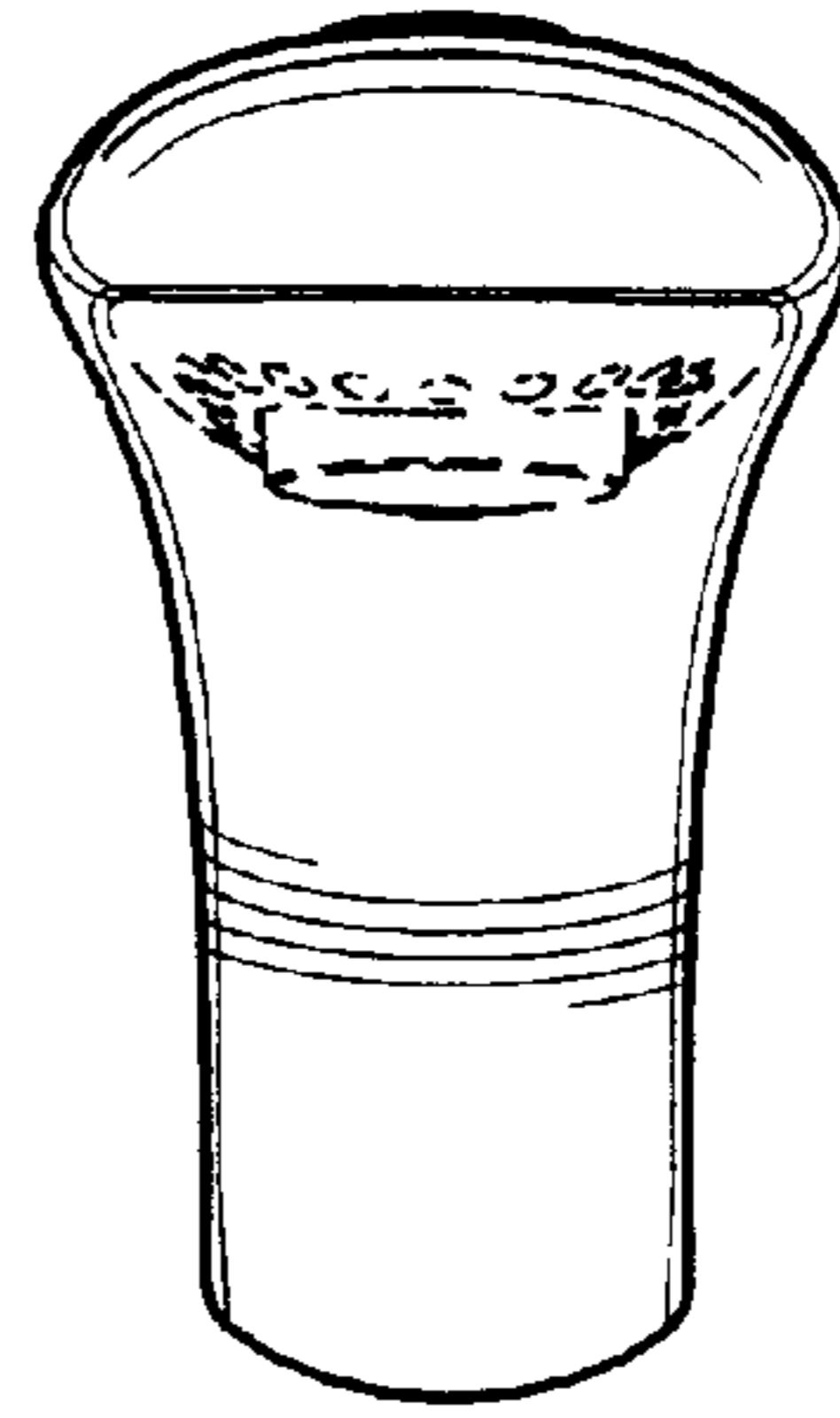


Fig-6

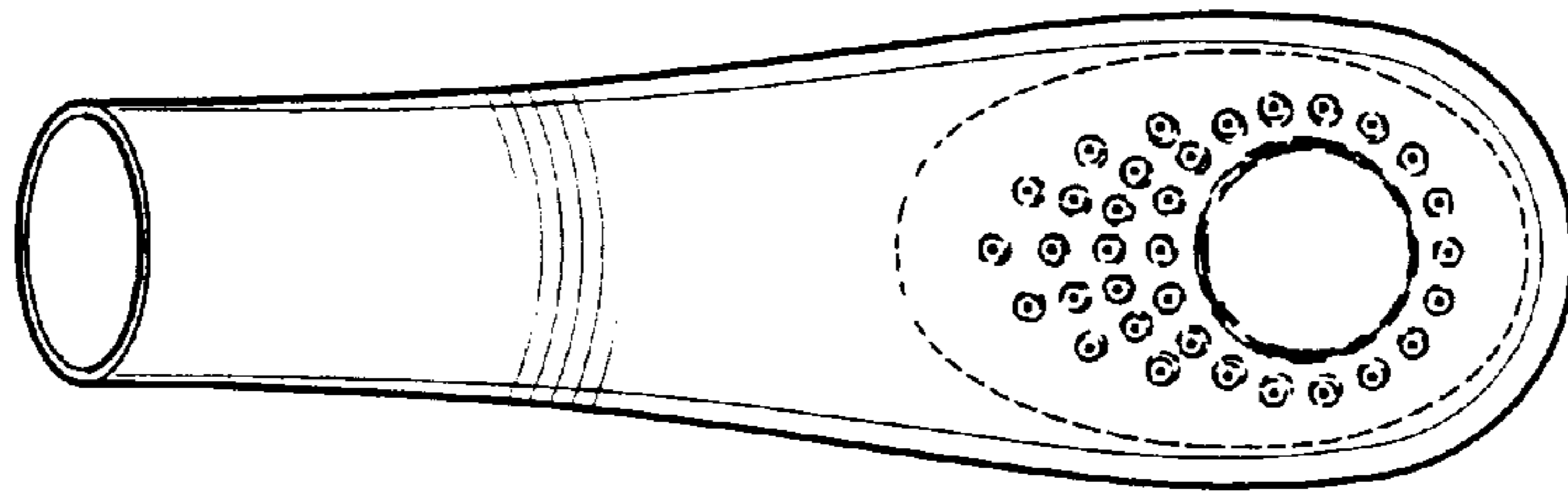


Fig-7

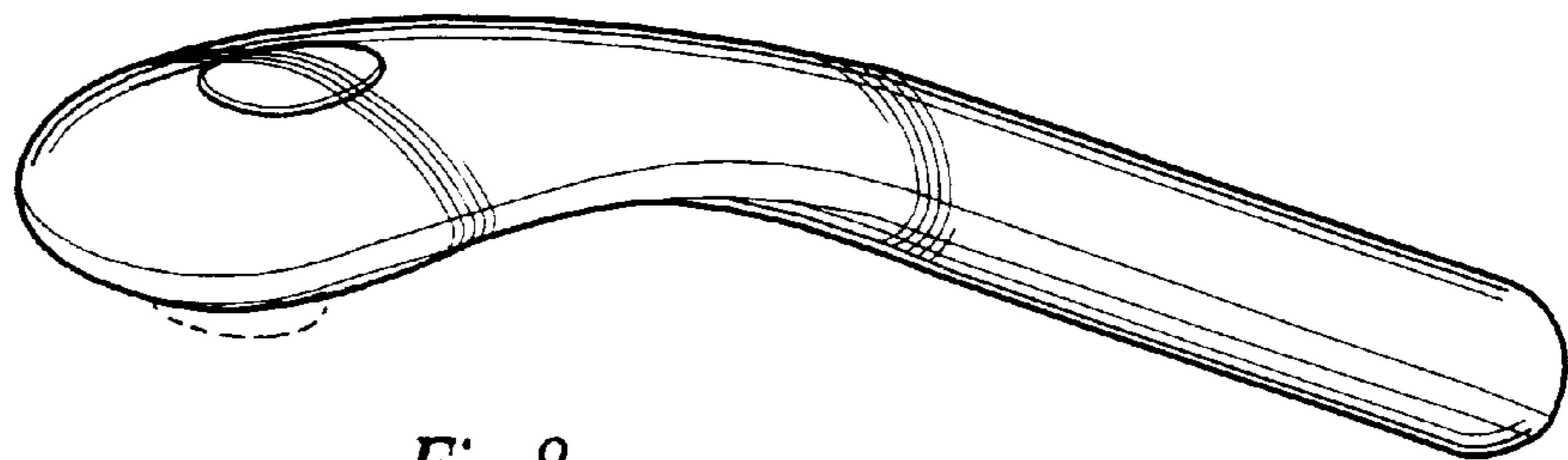


Fig-8

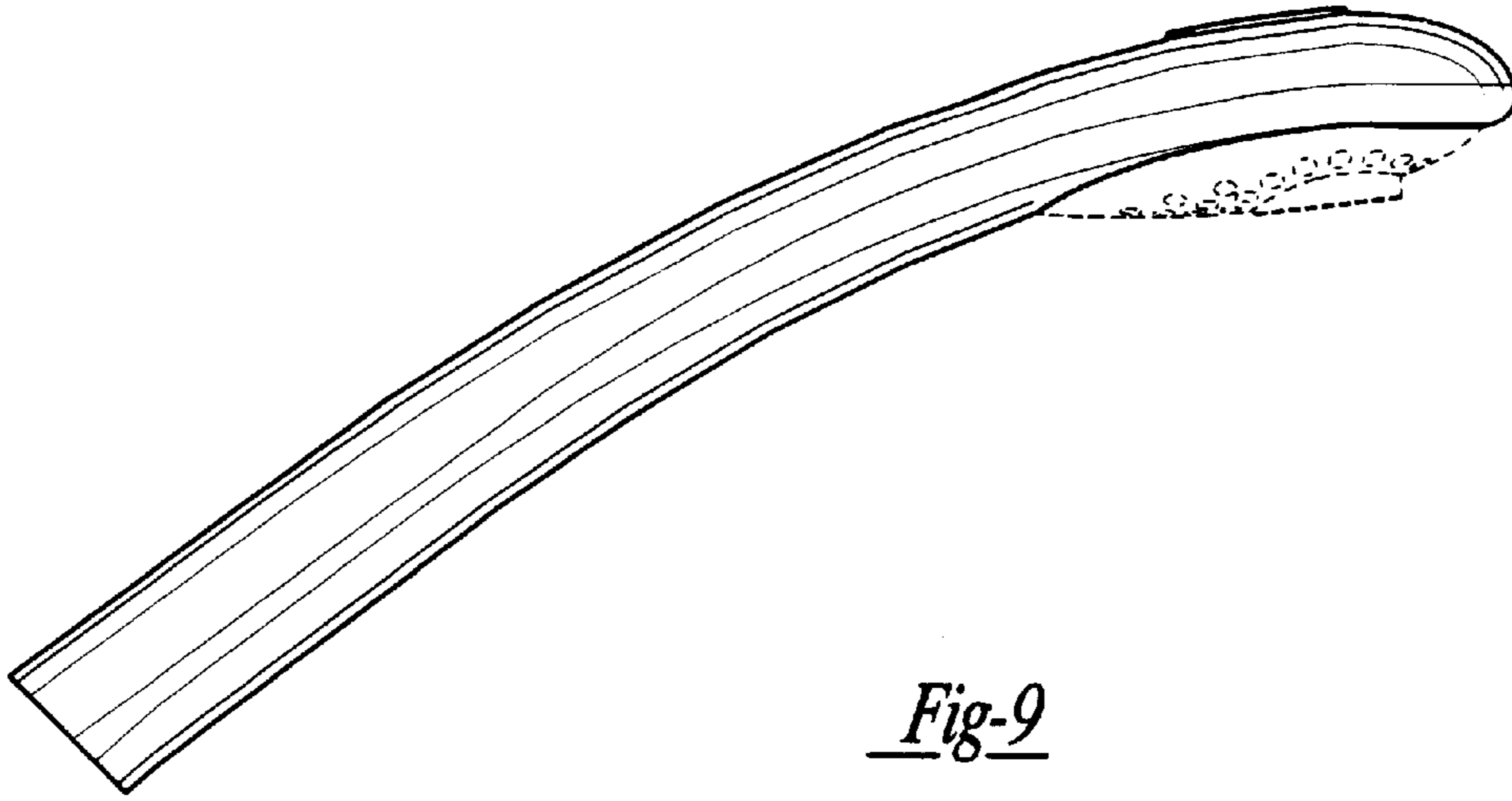


Fig-9

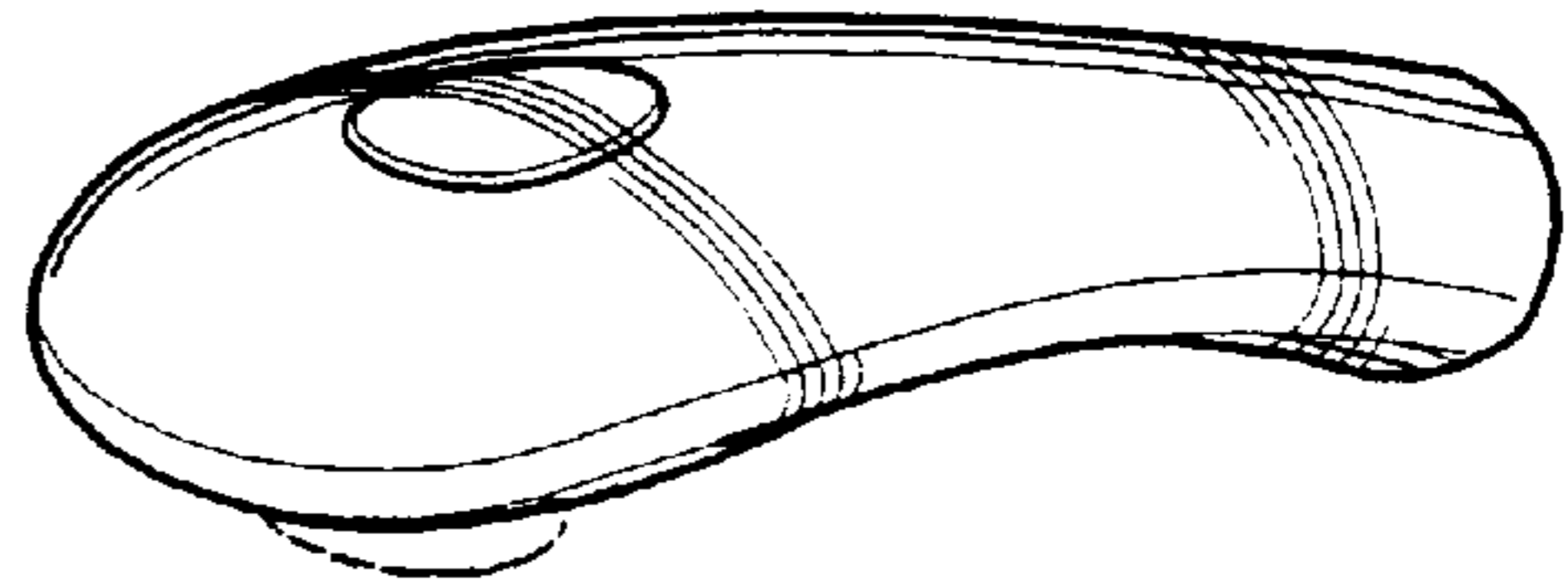


Fig-10



Fig-11