



US00D418583S

United States Patent [19]

Hyde et al.

[11] **Patent Number: Des. 418,583**

[45] **Date of Patent: ** Jan. 4, 2000**

[54] **FAUCET BODY AND SPOUT**

[75] Inventors: **John Hyde**, Flemington; **Wilfried A. Delker**, Bridgewater, both of N.J.

[73] Assignee: **American Standard Inc.**, Piscataway, N.J.

[**] Term: **14 Years**

[21] Appl. No.: **29/086,551**

[22] Filed: **Apr. 15, 1998**

[51] **LOC (7) Cl.** **23-01**

[52] **U.S. Cl.** **D23/255**

[58] **Field of Search** D23/238-243,
D23/250-257; 4/675-678; 137/801

[56] **References Cited**

U.S. PATENT DOCUMENTS

D. 367,917	3/1996	Haug et al.	D23/238
D. 368,764	4/1996	Hill et al.	D23/238
D. 389,889	1/1998	Nguyen et al.	D23/238
D. 398,957	9/1998	Doughty et al.	D23/238
D. 399,928	10/1998	Doughty et al.	D23/238

FOREIGN PATENT DOCUMENTS

485346 A1 5/1992 European Pat. Off. .

OTHER PUBLICATIONS

Jacob Delafon Catalog, France, p. 264, 1988, reference No. 76340.21.

Primary Examiner—Eric Watterson

[57] **CLAIM**

The ornamental design for a faucet body and spout, as shown and described.

DESCRIPTION

FIG. 1 is a front left side perspective view of a faucet body and spout, showing my new design; FIG. 2 is a left side elevational view thereof; FIG. 3 is a front elevational view thereof; FIG. 4 is a rear elevational view thereof; FIG. 5 is a top plan view thereof; and, FIG. 6 is a left side elevational view, the opposite side being a mirror image thereof.

The broken line showing is for illustrative purposes only and forms no part of the claimed design.

1 Claim, 3 Drawing Sheets

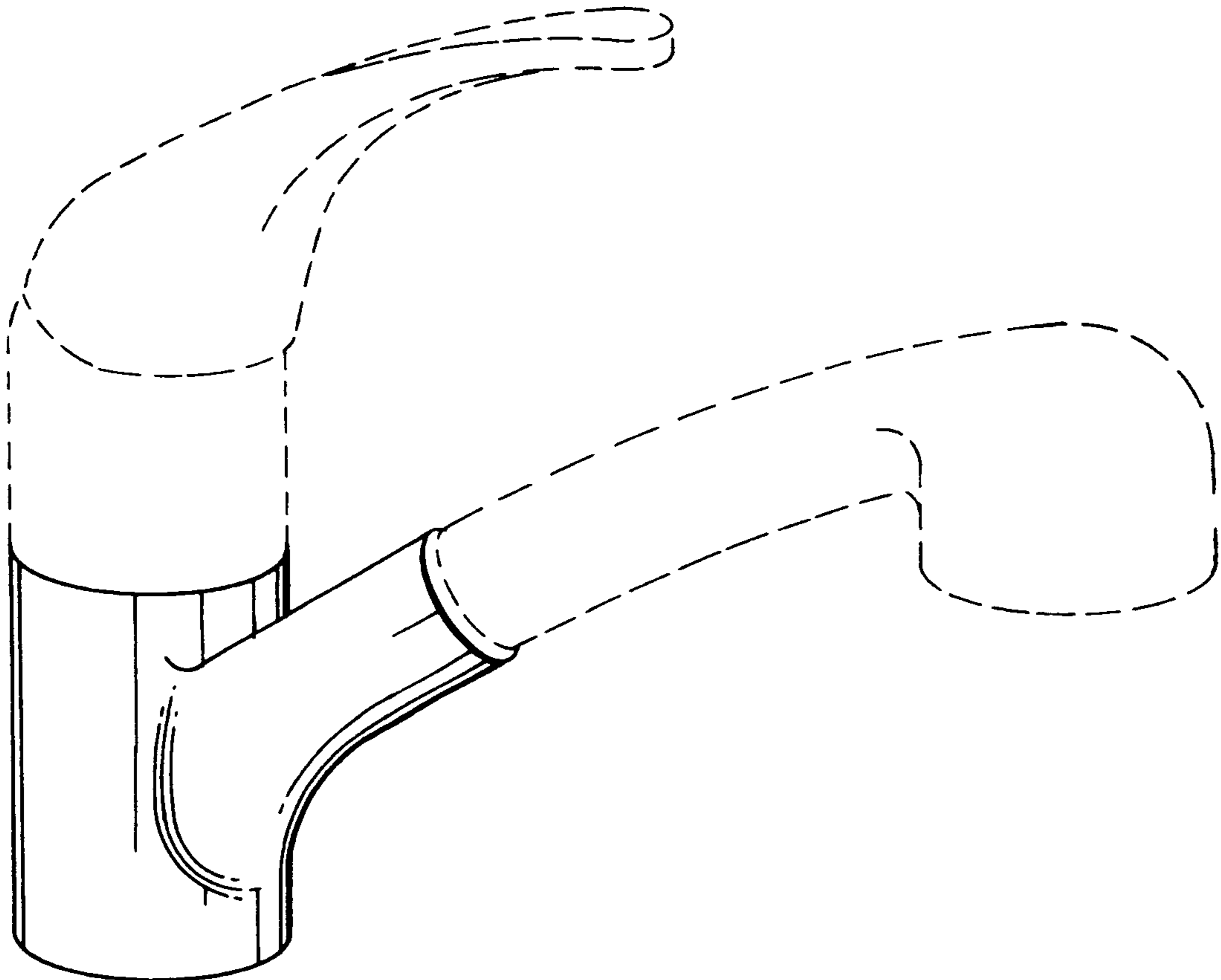


FIG. 1

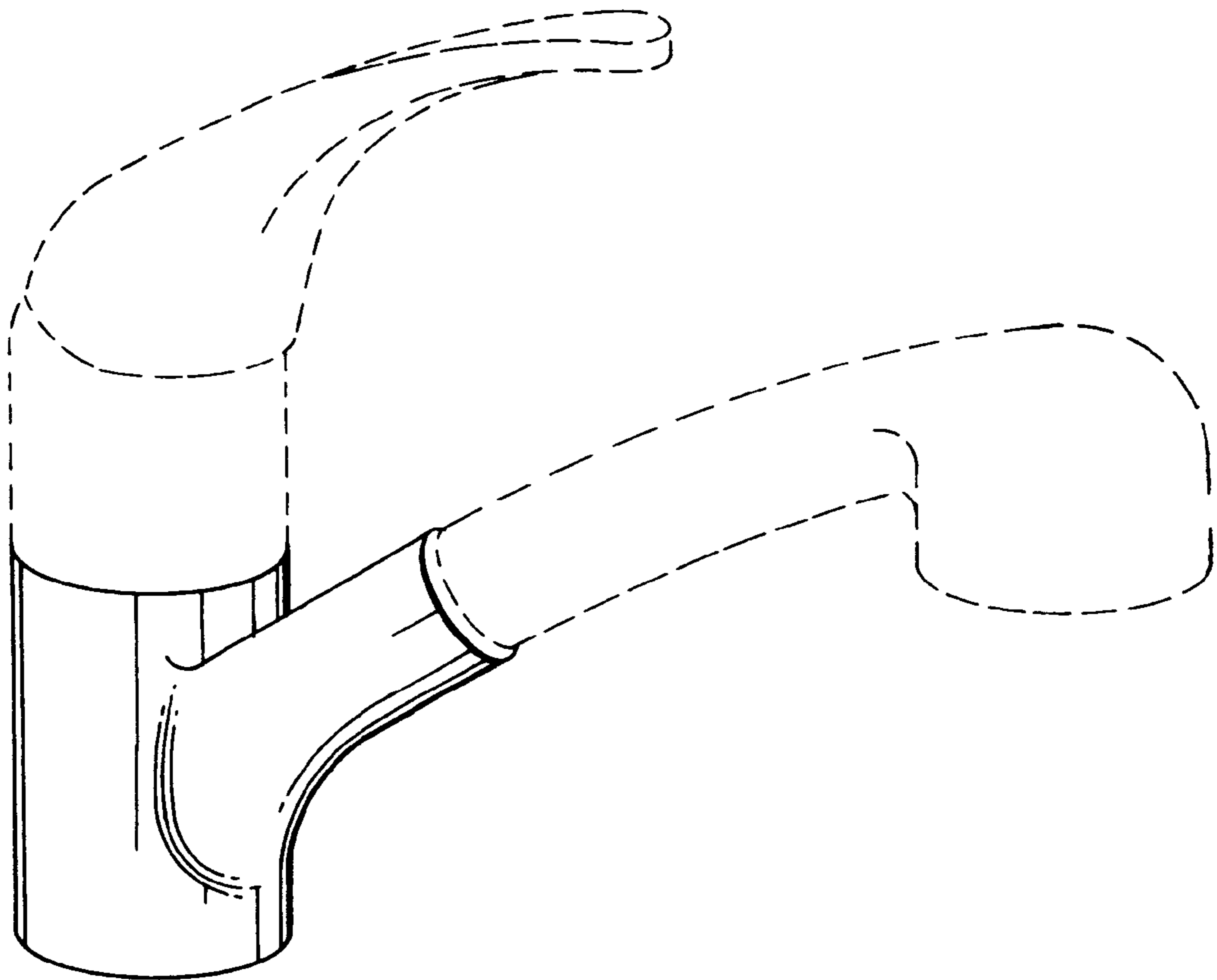


FIG. 2

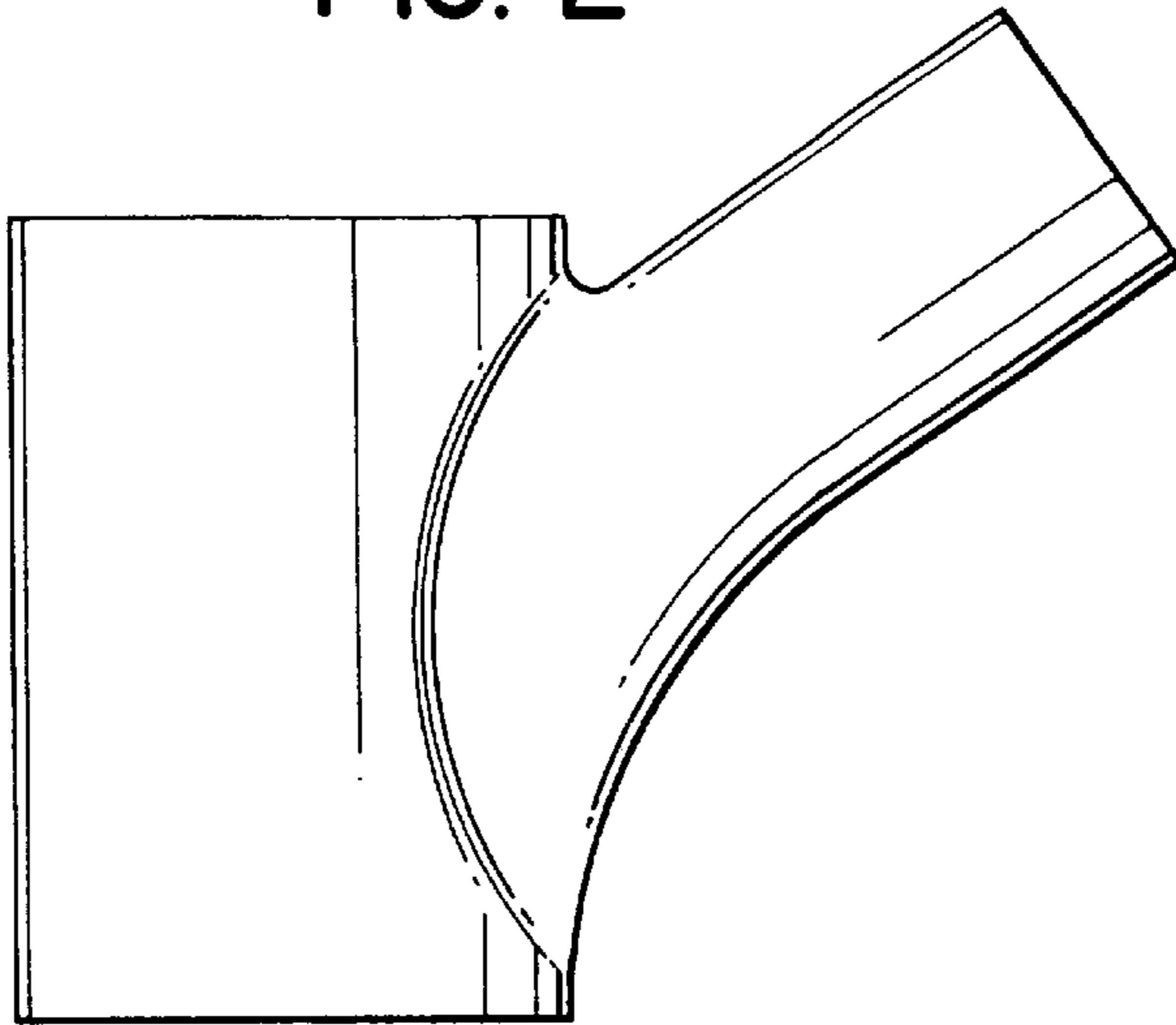


FIG. 3

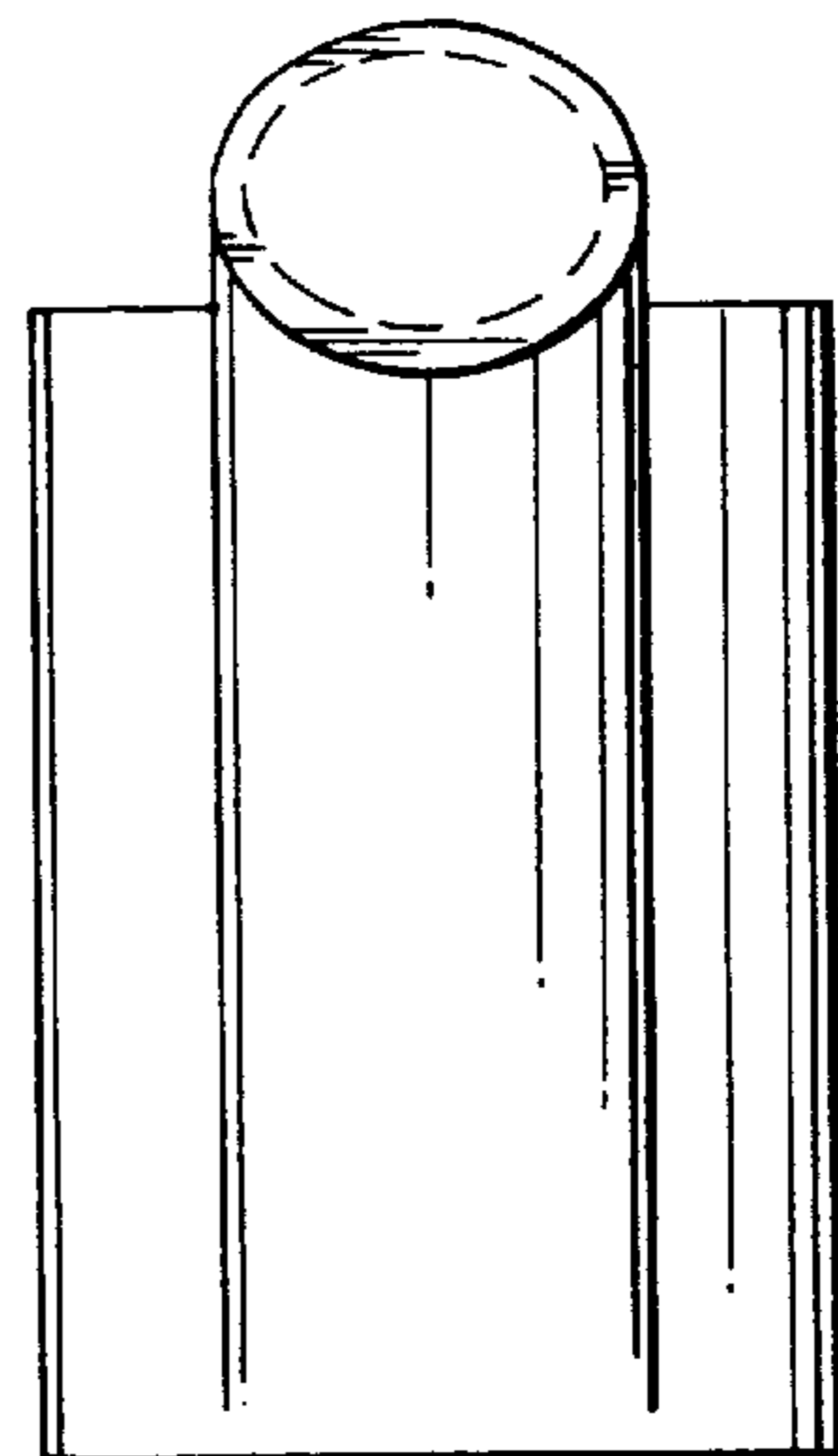


FIG. 4

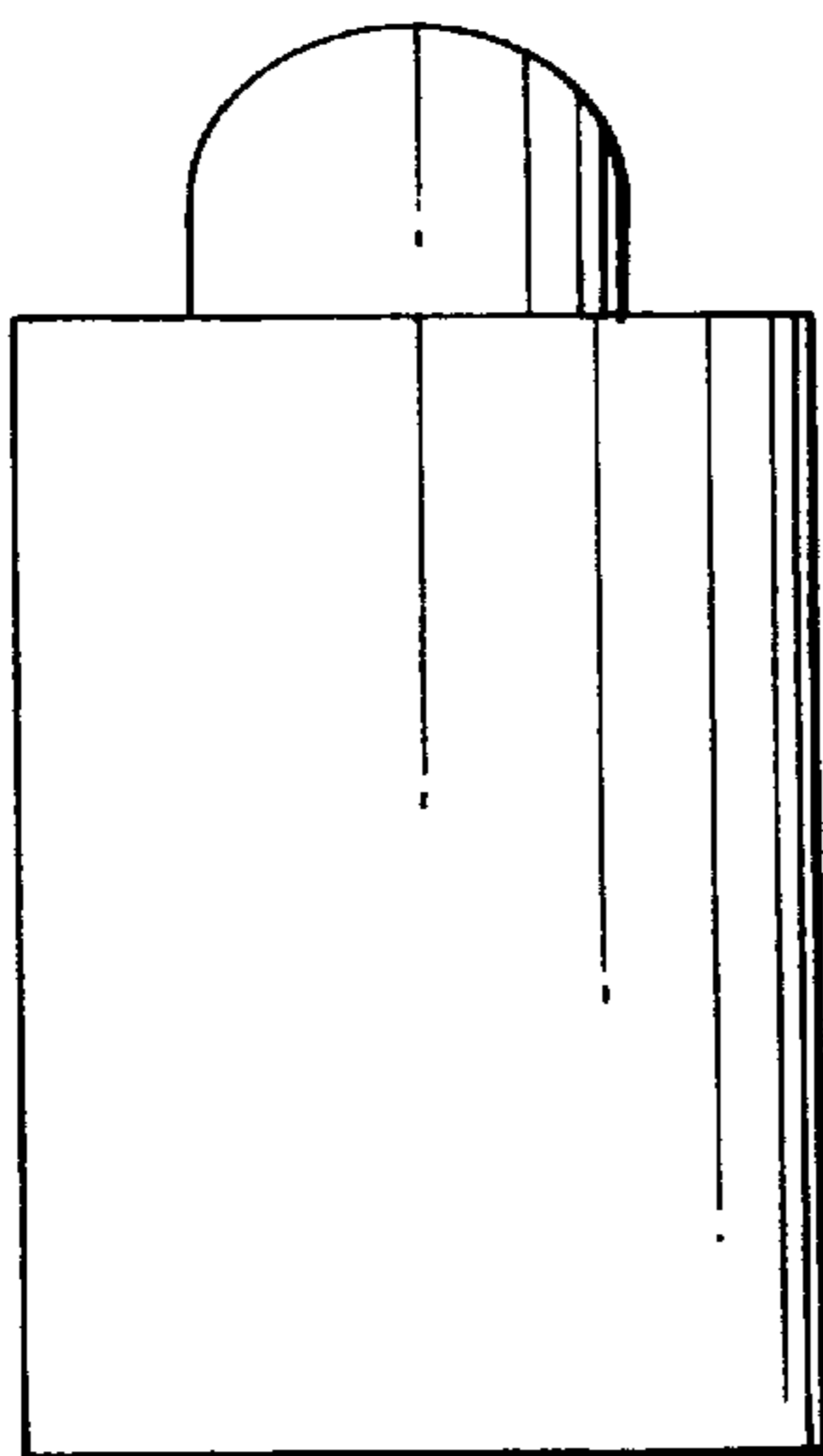


FIG. 5

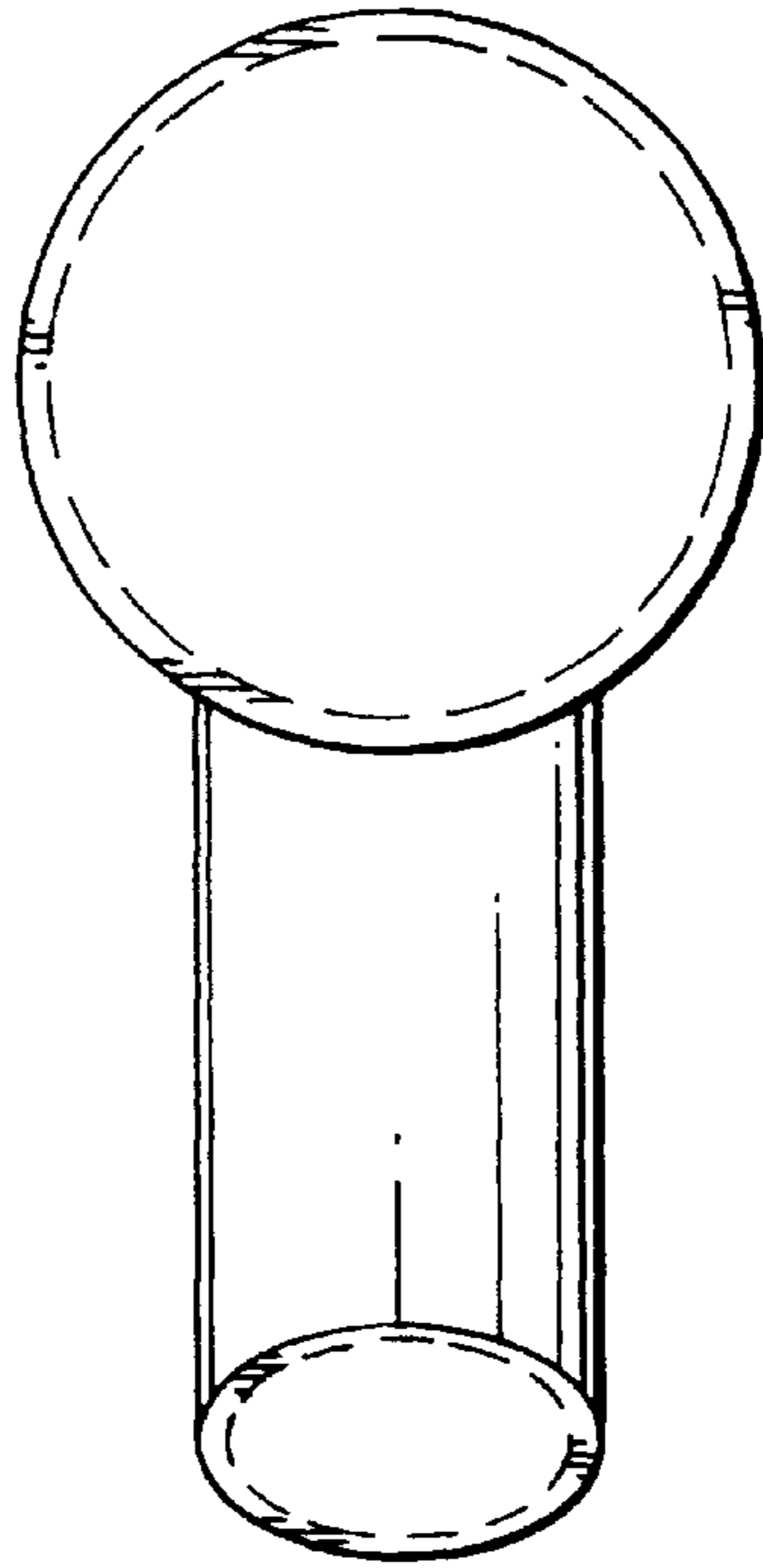


FIG. 6

