



US00D418582S

United States Patent [19]
Gottwald et al.

[11] **Patent Number: Des. 418,582**
[45] **Date of Patent: ** Jan. 4, 2000**

[54] **WALL-MOUNT FAUCET HANDLE AND ESCUTCHEON**

[75] Inventors: **Adolf Gottwald**, Iserlohn; **Daniel Müllenmeister**, Havixbeck, both of Germany

[73] Assignee: **Friedrich Grohe AG**, Hemer, Germany

[**] Term: **14 Years**

[21] Appl. No.: **29/104,804**

[22] Filed: **May 12, 1999**

[30] **Foreign Application Priority Data**

Dec. 18, 1998 [DE] Germany 498 12 216

[51] **LOC (7) Cl.** **23-01**

[52] **U.S. Cl.** **D23/254**

[58] **Field of Search** D13/238-243, D13/250-257; 4/675-678; 137/801

[56] **References Cited**

U.S. PATENT DOCUMENTS

D. 344,128 2/1994 Gottwald D23/254

D. 345,004 3/1994 Bengtson D23/254
D. 363,765 10/1995 Starck D23/254
D. 393,895 4/1998 Gottwald D23/254
D. 397,771 9/1998 Lobermeier D23/254
D. 402,009 12/1998 Gottwald D23/254
D. 406,879 3/1999 Powell et al. D23/254

Primary Examiner—Eric Watterson
Attorney, Agent, or Firm—Herbert Dubno

[57] **CLAIM**

The ornamental design for a wall-mount faucet handle and escutcheon, as shown and described.

DESCRIPTION

FIG. 1 is a top, front, left-side perspective view of a wall-mount faucet handle and escutcheon showing my new design;
FIG. 2 is a rear view thereof;
FIG. 3 is a bottom view thereof;
FIG. 4 is a top view thereof;
FIG. 5 is a front view thereof; and,
FIG. 6 is a right side elevational view thereof, the left side being mirror symmetrical thereto.

1 Claim, 2 Drawing Sheets

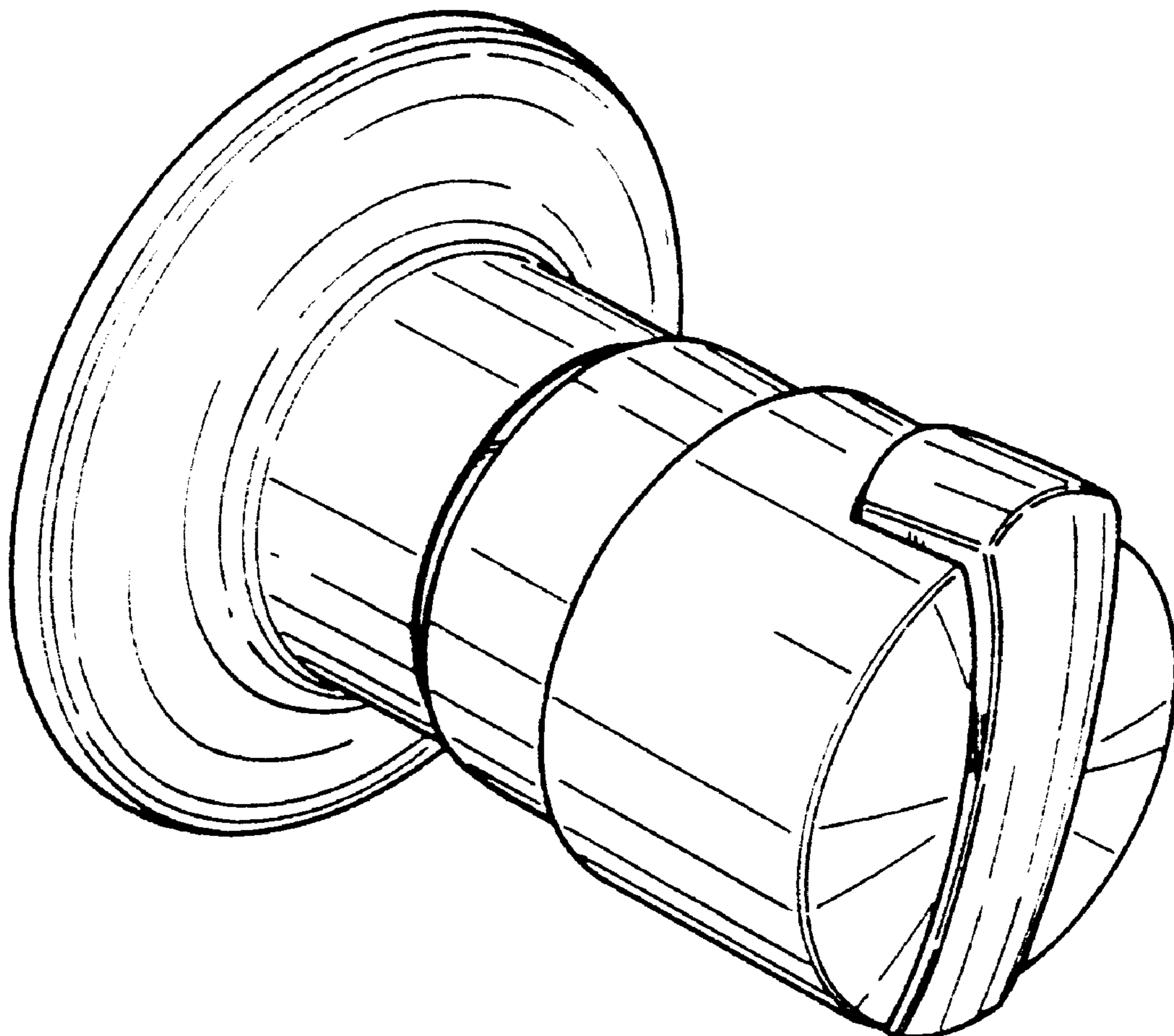


FIG. 1

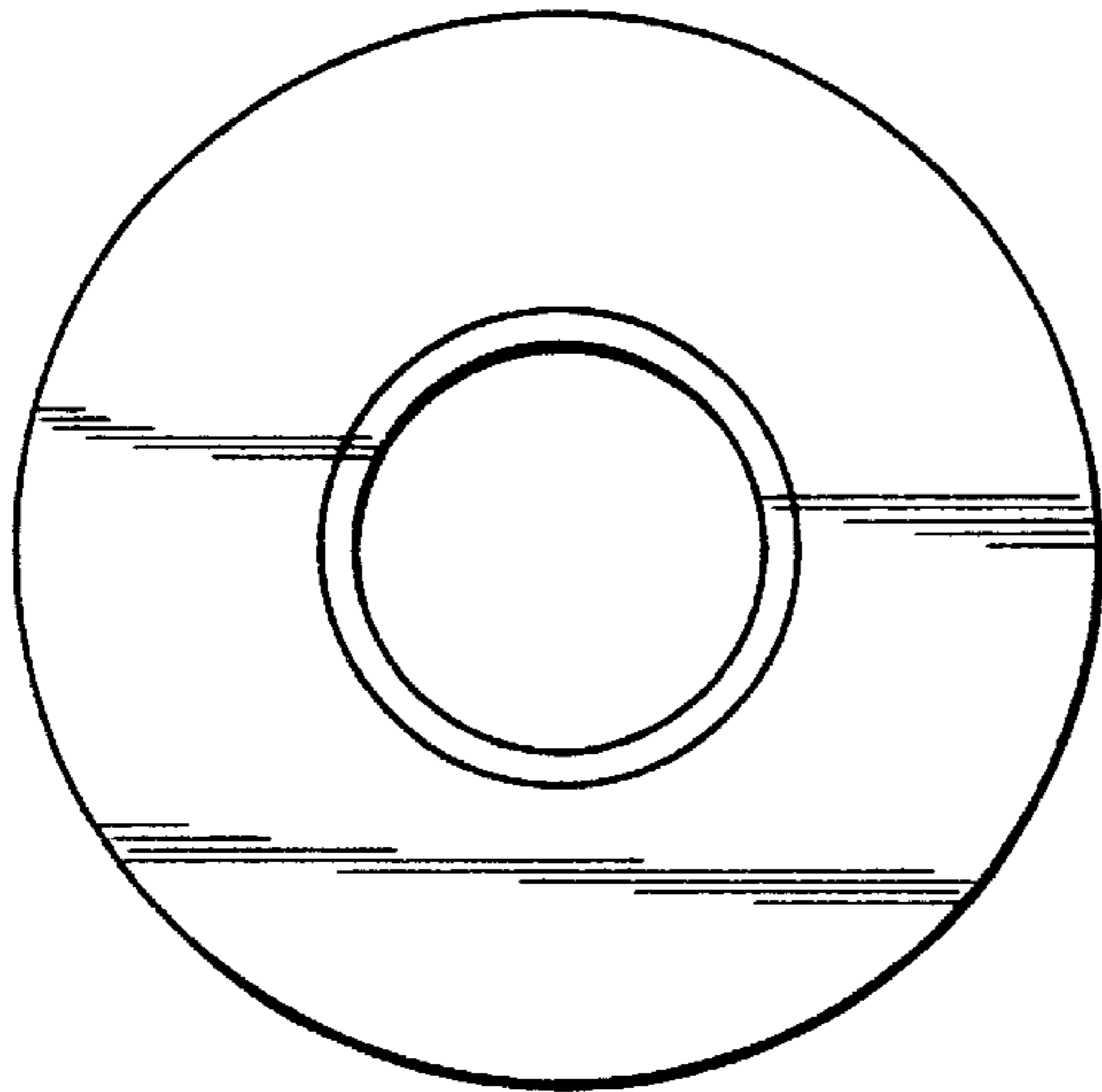
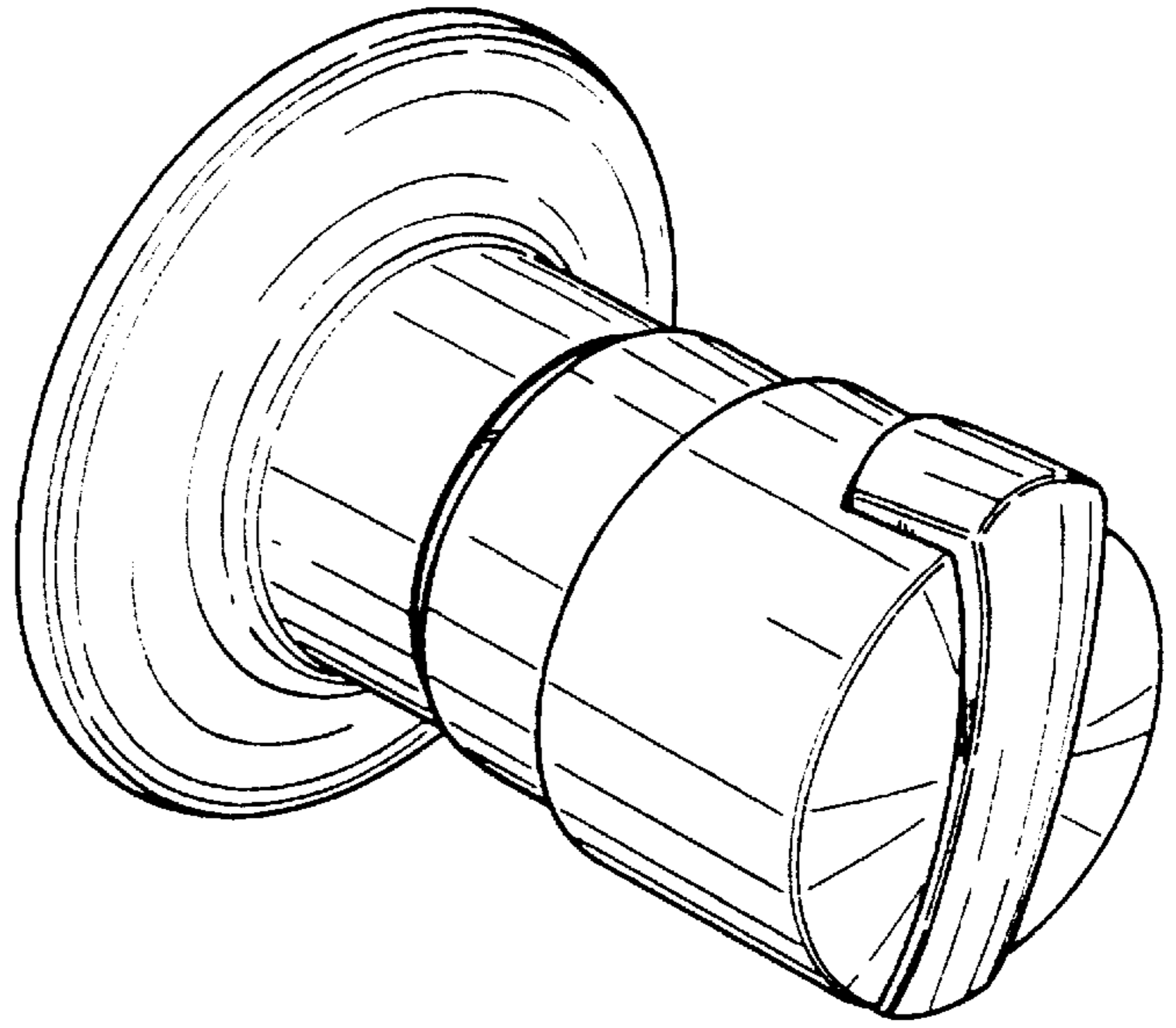


FIG. 2

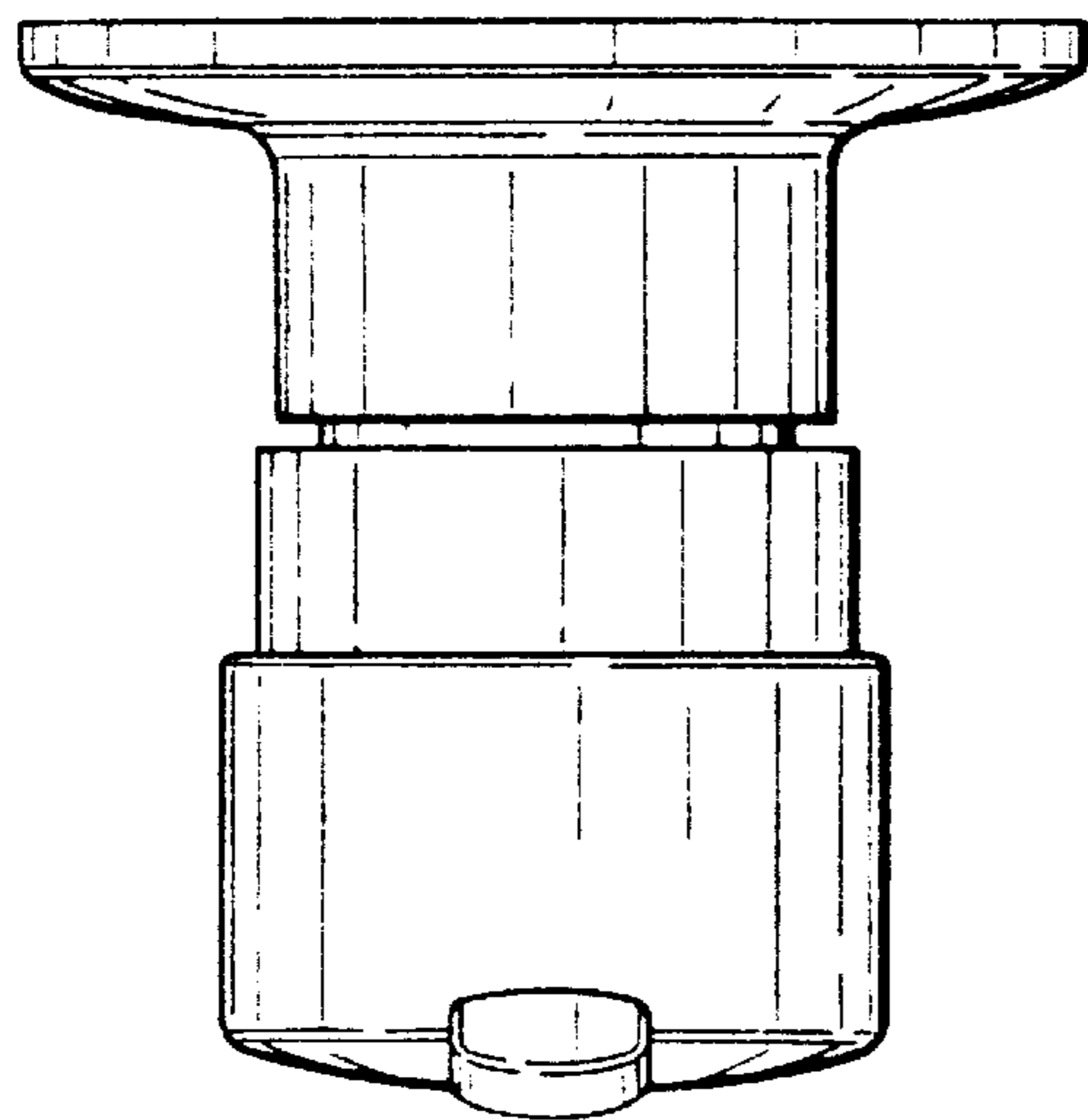


FIG. 3

FIG. 4

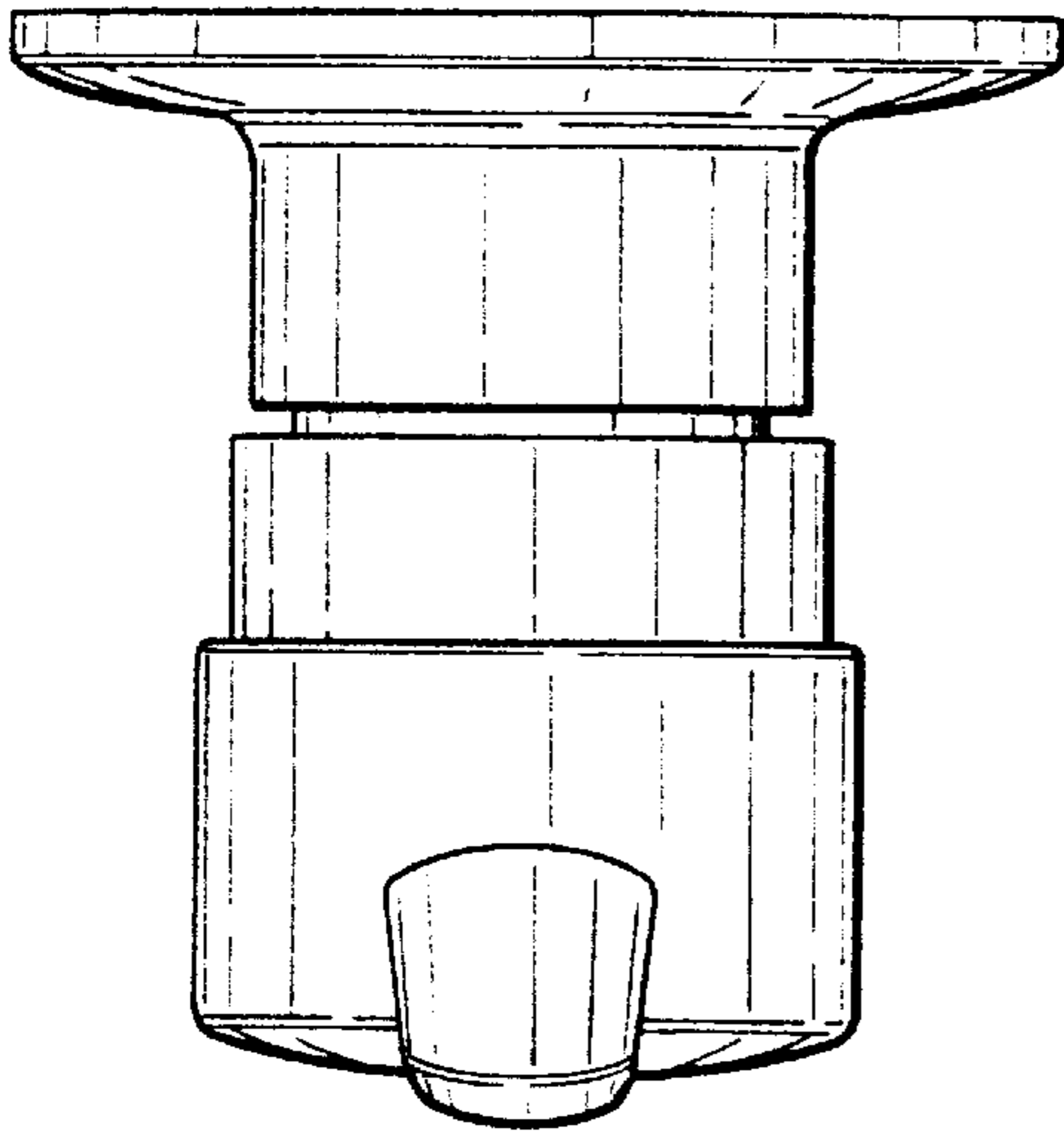


FIG. 6

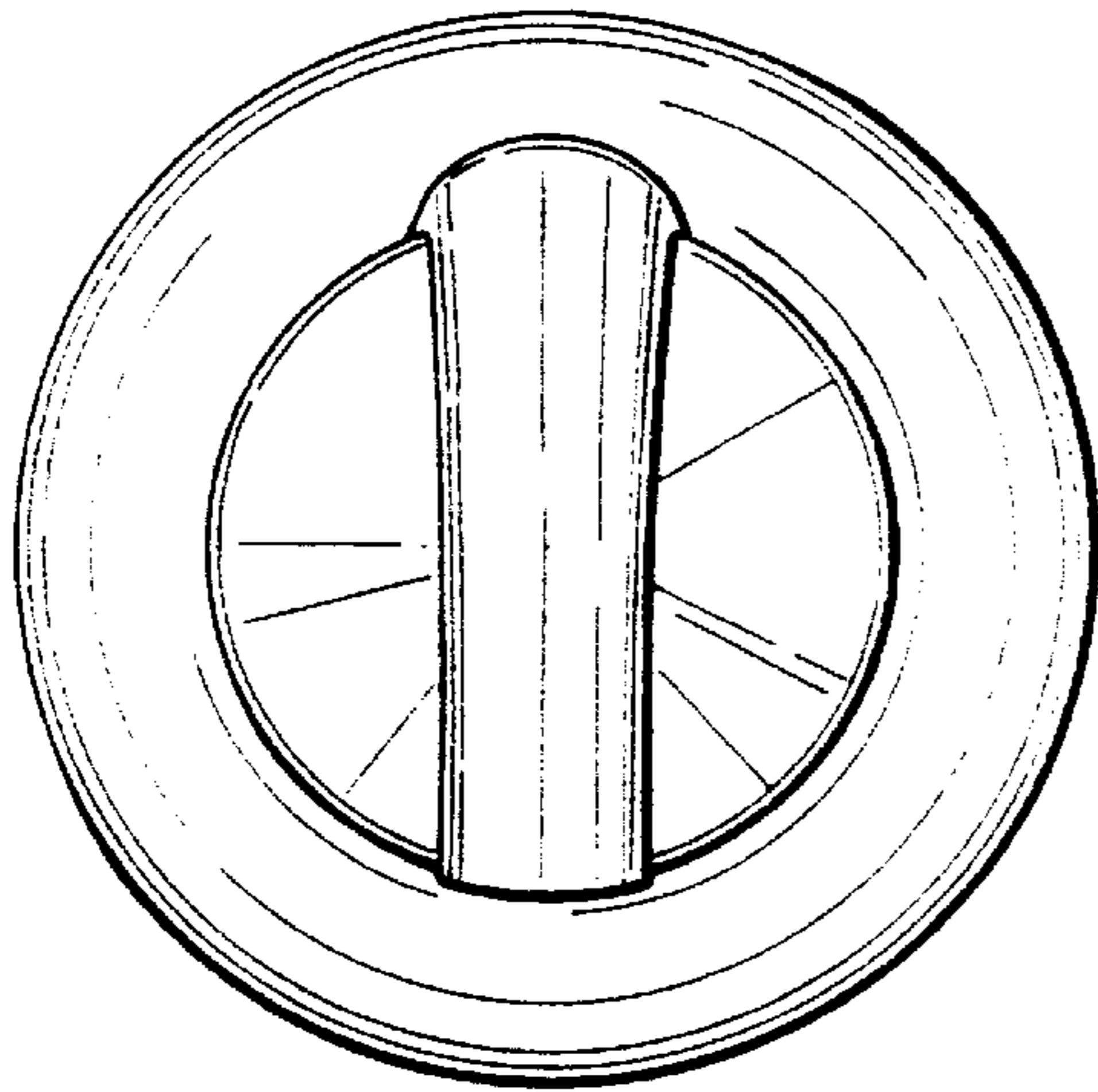
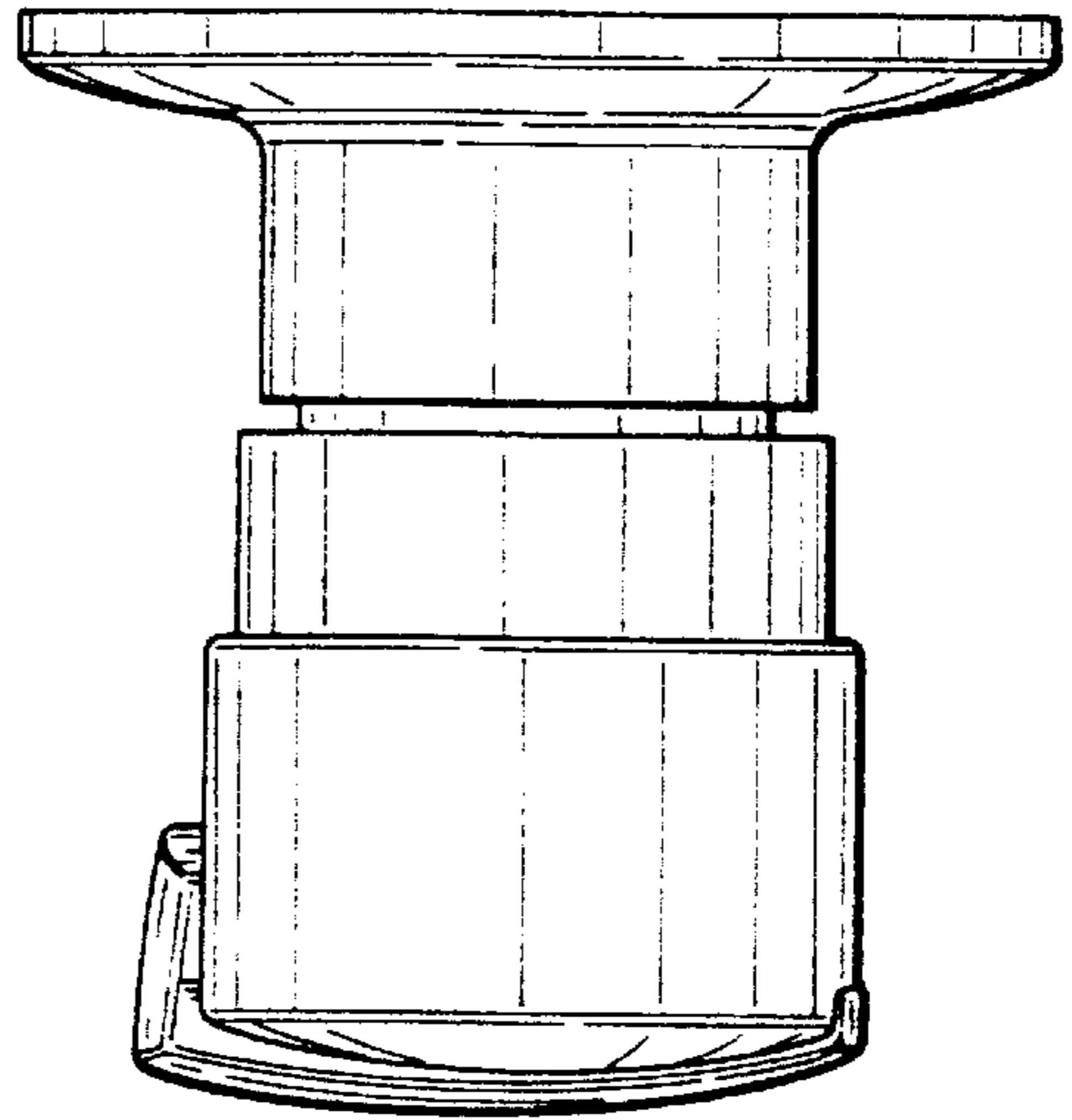


FIG. 5