



US00D418579S

United States Patent [19]

Pitsch et al.

[11] Patent Number: **Des. 418,579**

[45] Date of Patent: **** Jan. 4, 2000**

[54] FAUCET

[75] Inventors: **Walter Pitsch**, Franklin Park; **John Hyde**, Flemington, both of N.J.

[73] Assignee: **American Standard Inc.**, Piscataway, N.J.

[**] Term: **14 Years**

[21] Appl. No.: **29/067,160**

[22] Filed: **Mar. 4, 1997**

[51] LOC (7) Cl. **23-01**

[52] U.S. Cl. **D23/242**

[58] Field of Search D23/238-243,
D23/250-257; 4/675-678; 137/801

[56] **References Cited**

U.S. PATENT DOCUMENTS

D. 207,044	2/1967	Hurwitz	91/3
D. 280,008	8/1985	Miller et al.	23/25
D. 288,836	3/1987	Yost	23/25
D. 289,318	4/1987	Yost	23/25
D. 293,362	12/1987	Hill et al.	D23/241

D. 293,601	1/1988	Hill et al.	D23/255
D. 321,750	11/1991	Spangle	23/241
D. 349,948	8/1994	Bollenbacher	D23/241
D. 354,548	1/1995	Bollenbacher et al.	D23/241
D. 359,342	6/1995	Doughty et al.	23/241
D. 368,302	3/1996	Doughty et al.	23/241

Primary Examiner—Louis S. Zarfaz
Assistant Examiner—Eric Watterson
Attorney, Agent, or Firm—Ann M. Knab; Elaine Brenner Robinson

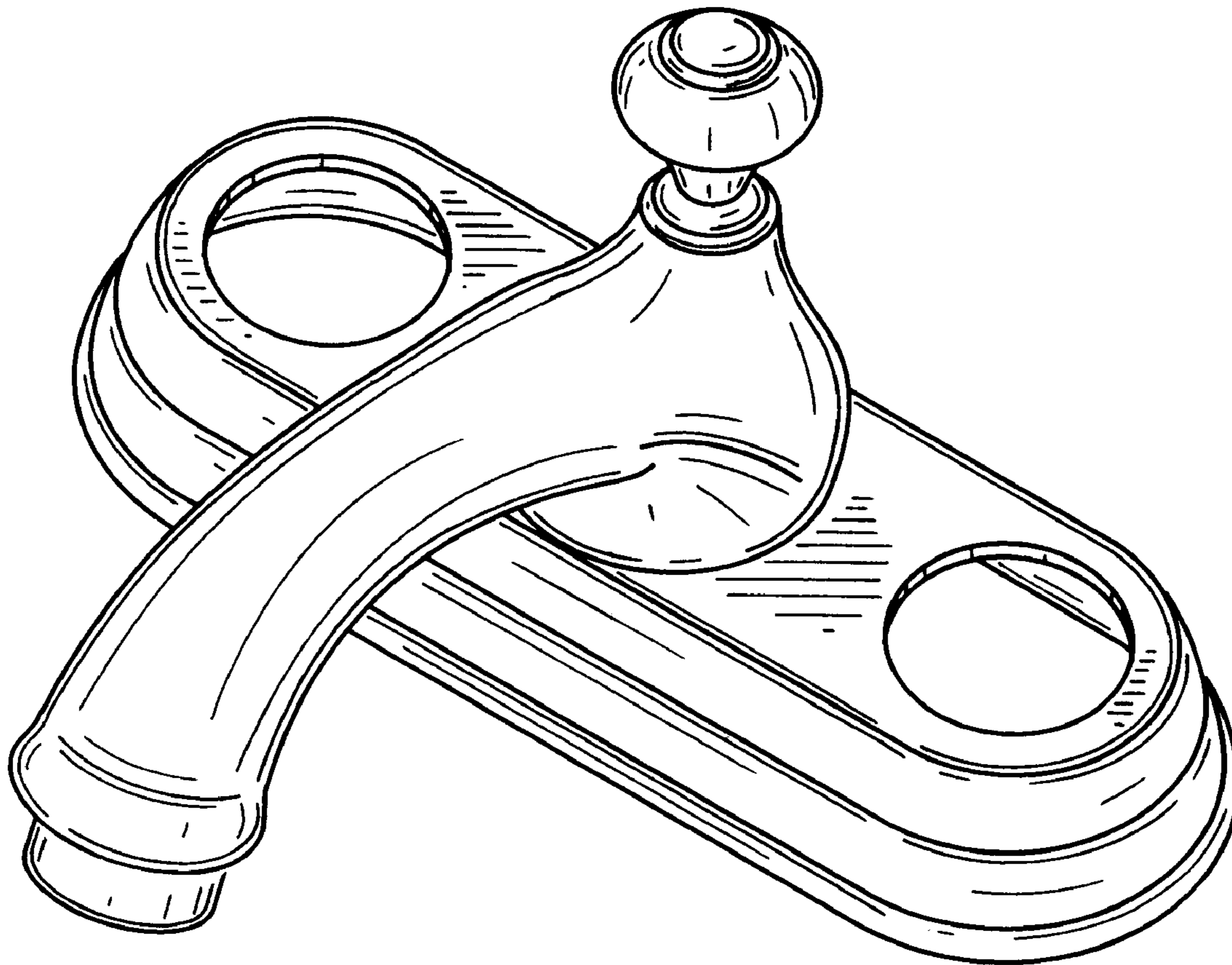
[57] **CLAIM**

The ornamental design for a faucet, as shown and described.

DESCRIPTION

FIG. 1 is a perspective view of a faucet showing our new design;
FIG. 2 is a front elevational view thereof;
FIG. 3 is a rear elevational view thereof;
FIG. 4 is a top plan view thereof;
FIG. 5 is a bottom plan view thereof; and,
FIG. 6 is a left side elevational view thereof, the right side being a mirror image of the left side.

1 Claim, 3 Drawing Sheets



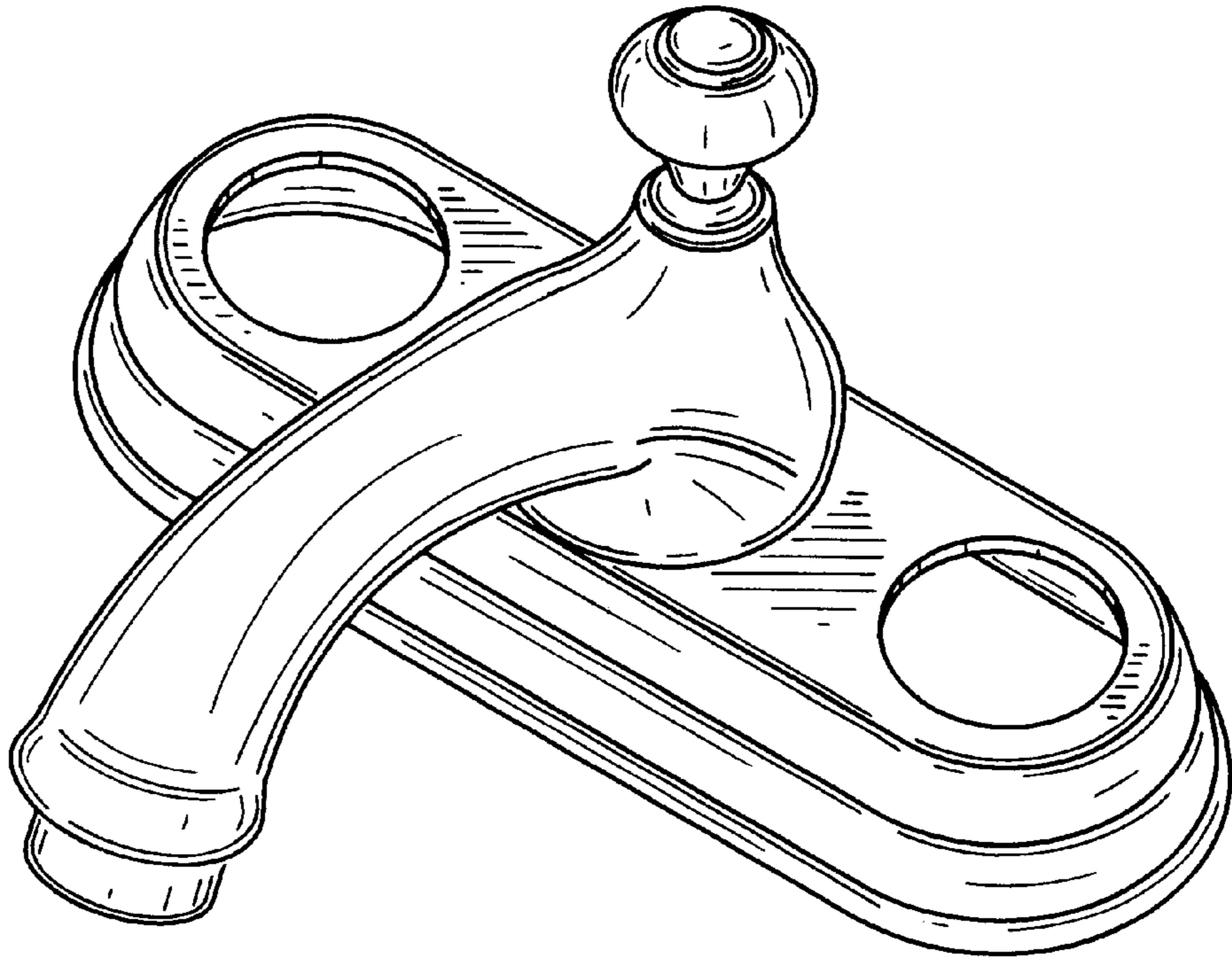


FIG. 1

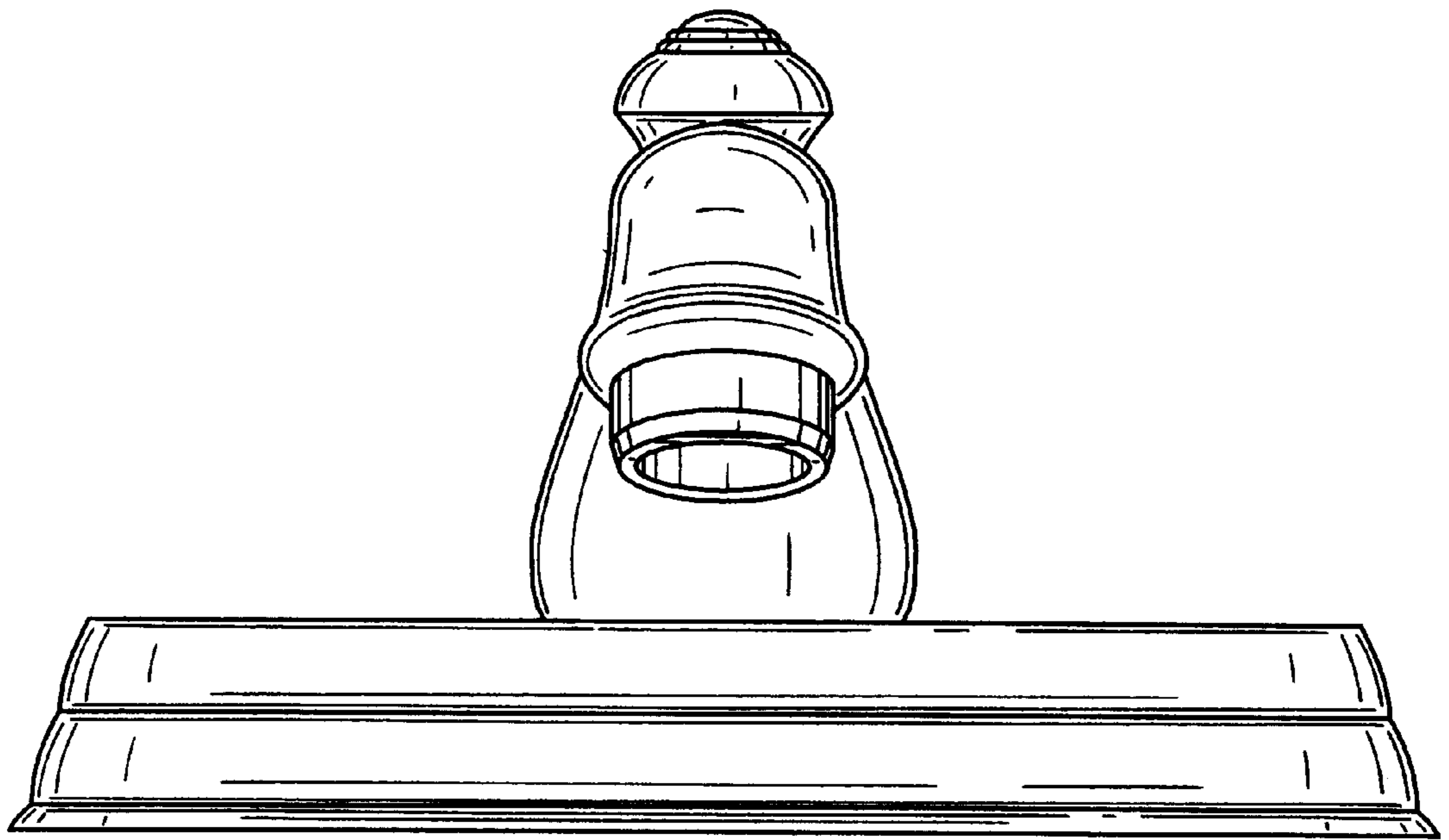


FIG. 2

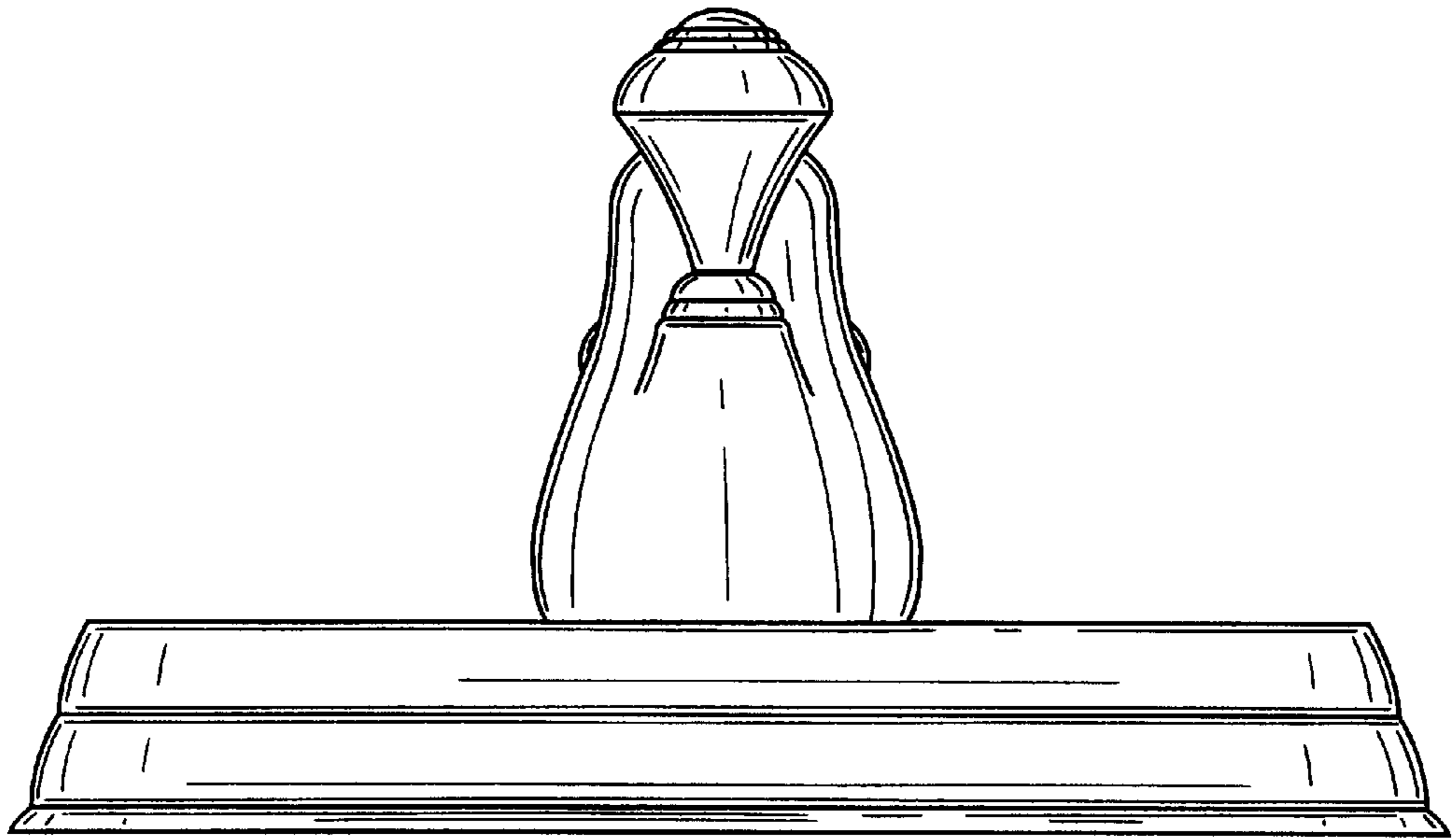


FIG. 3

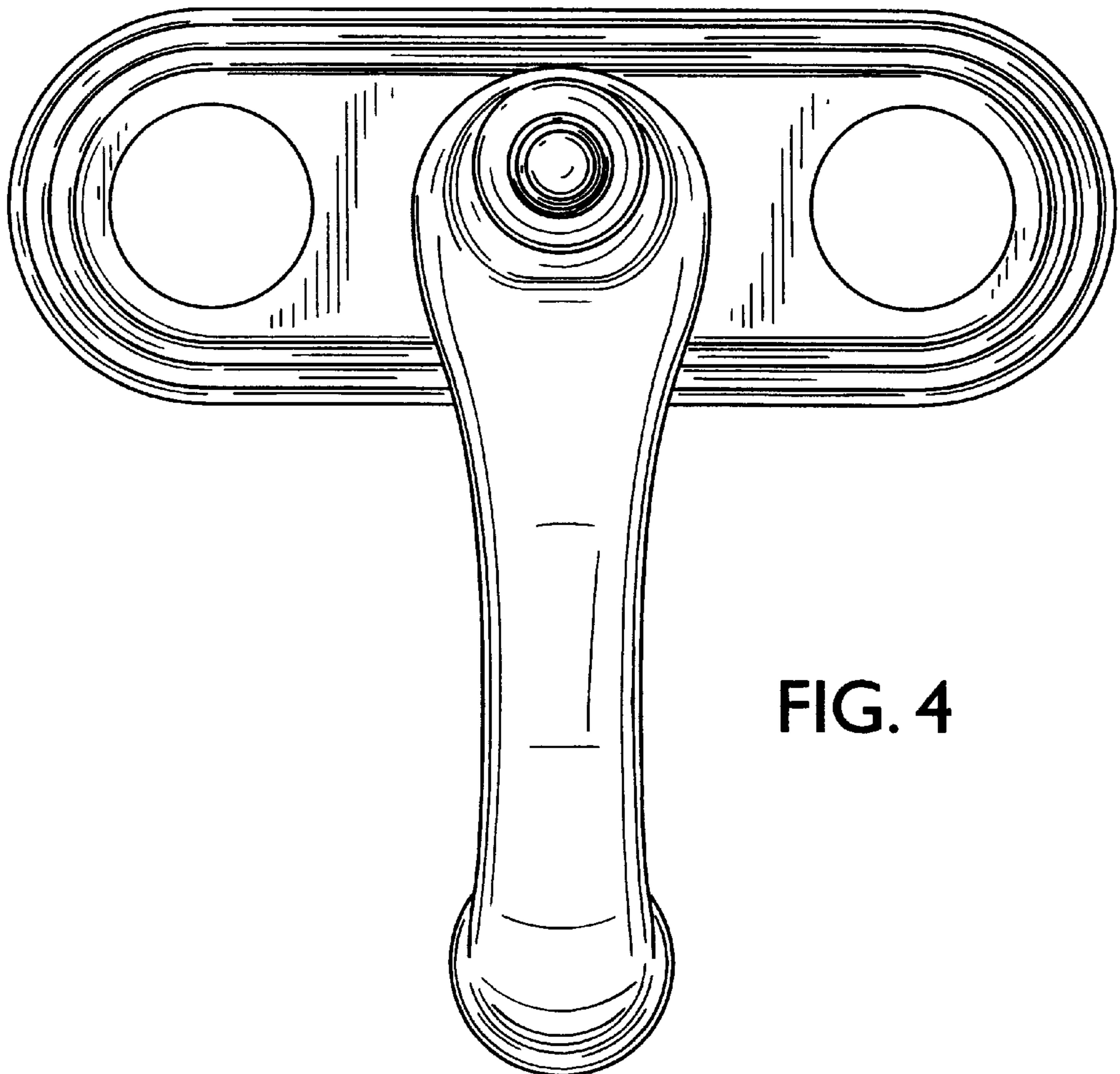


FIG. 4

