



US00D418578S

United States Patent [19]

Warshawsky et al.

[11] Patent Number: **Des. 418,578**

[45] Date of Patent: **** Jan. 4, 2000**

[54] **LAVATORY SET**

[75] Inventors: **Ari Zev Warshawsky**, New York;
Jerome Warshawsky, Hewlett Harbor;
Frank Antoniello, Commack, all of
N.Y.

[73] Assignee: **IW Industries Inc.**, Melville, N.Y.

[**] Term: **14 Years**

[21] Appl. No.: **29/101,919**

[22] Filed: **Mar. 12, 1999**

[51] **LOC (7) Cl.** **23-01**

[52] **U.S. Cl.** **D23/241**

[58] **Field of Search** **D23/238-243,**
D23/250-257; D8/300-310; 4/675-678;
137/801

[56] **References Cited**

U.S. PATENT DOCUMENTS

- D. 295,551 5/1988 Yost D23/255
- D. 318,906 8/1991 Spangler D23/255
- D. 321,750 11/1991 Spangler D23/241

- D. 350,390 9/1994 Bollenbacher D23/255
- D. 364,218 11/1995 Hill et al. D23/255
- D. 367,920 3/1996 Hill et al. D23/255
- D. 368,302 3/1996 Doughty et al. D23/241
- D. 377,517 1/1997 Doughty et al. D23/255
- D. 381,400 7/1997 Doughty et al. D23/241
- D. 382,330 8/1997 Doughty et al. D23/241
- D. 384,132 9/1997 Doughty et al. D23/241

Primary Examiner—Eric Watterson
Attorney, Agent, or Firm—Alfred M. Walker

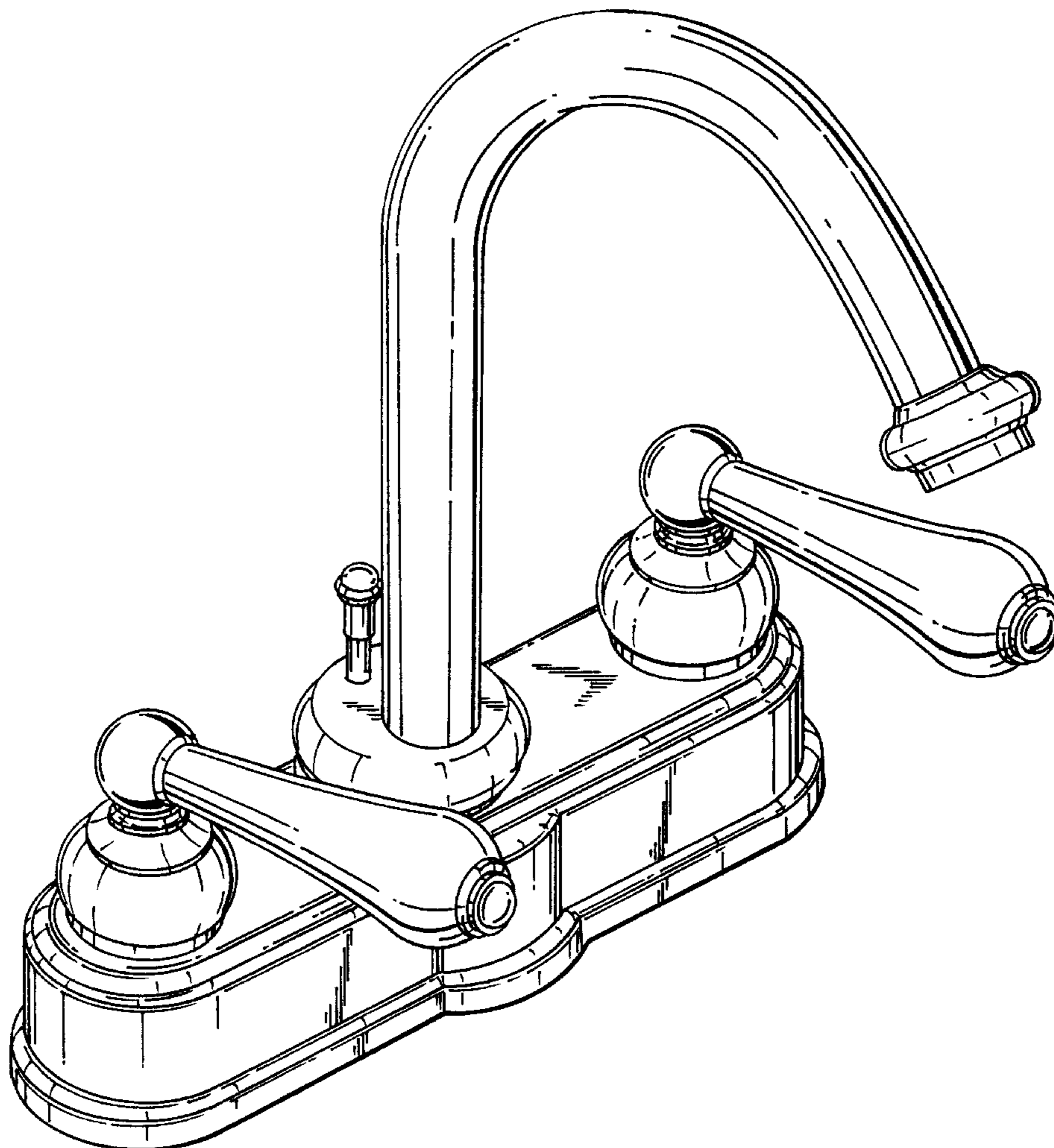
[57] **CLAIM**

The ornamental design for a lavatory set, as shown and described.

DESCRIPTION

FIG. 1 is a perspective view of a lavatory set, showing our new design;
FIG. 2 is a right side elevational view thereof, the left side being a mirror image thereof;
FIG. 3 is a top plan view thereof;
FIG. 4 is a front elevational view thereof; and,
FIG. 5 is a rear view thereof.

1 Claim, 5 Drawing Sheets



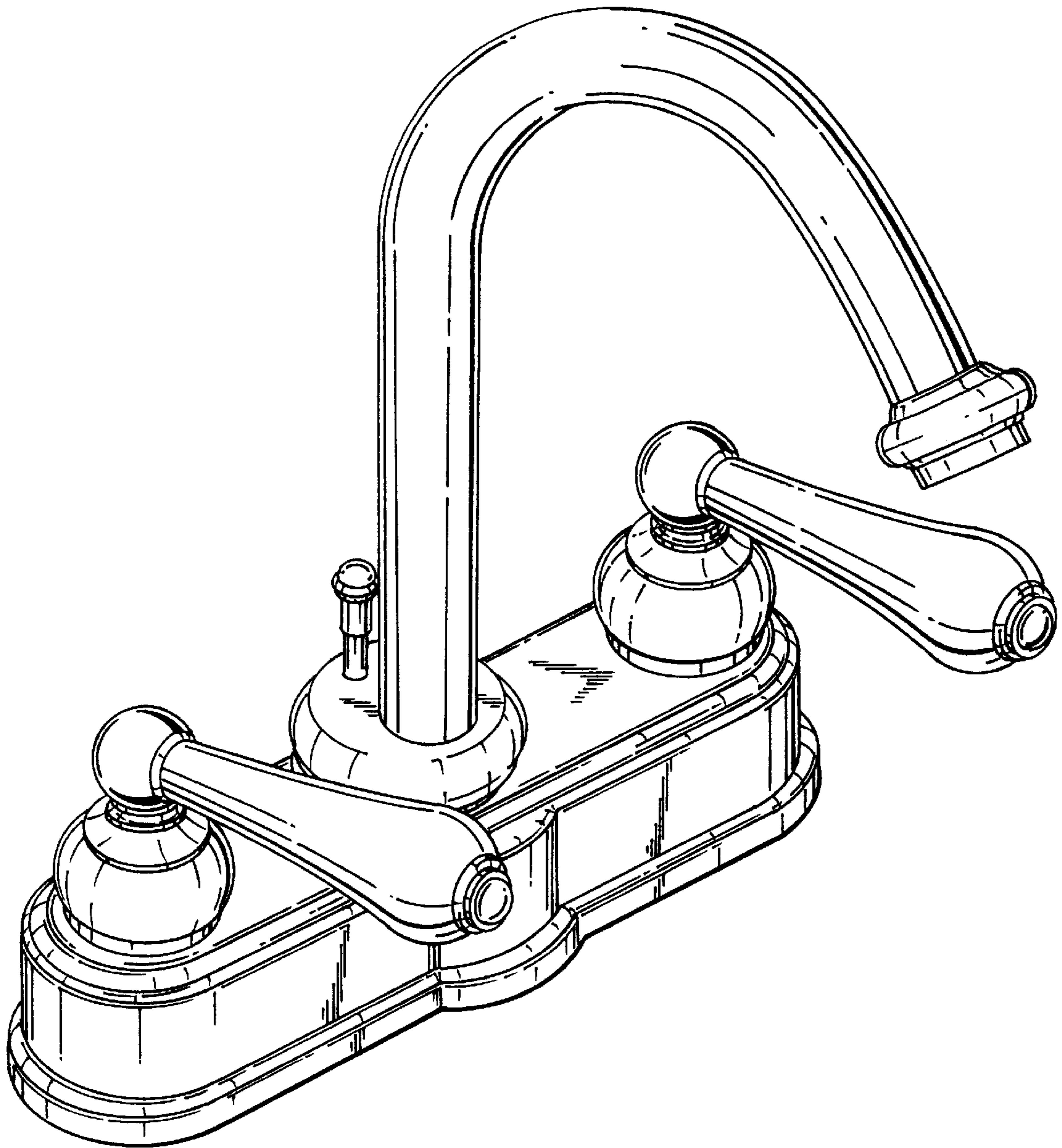


Fig. 1

Fig. 2

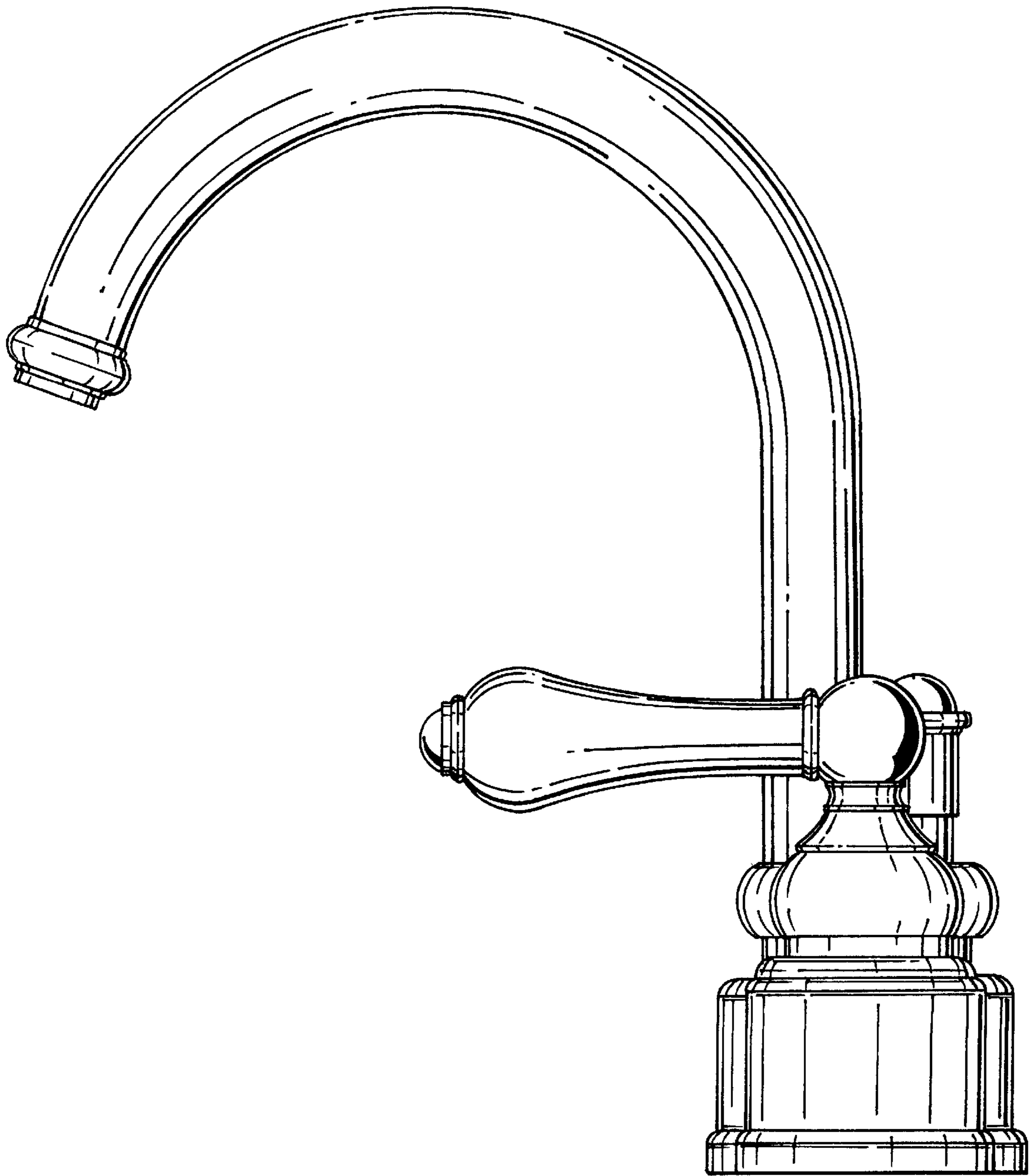


Fig. 3

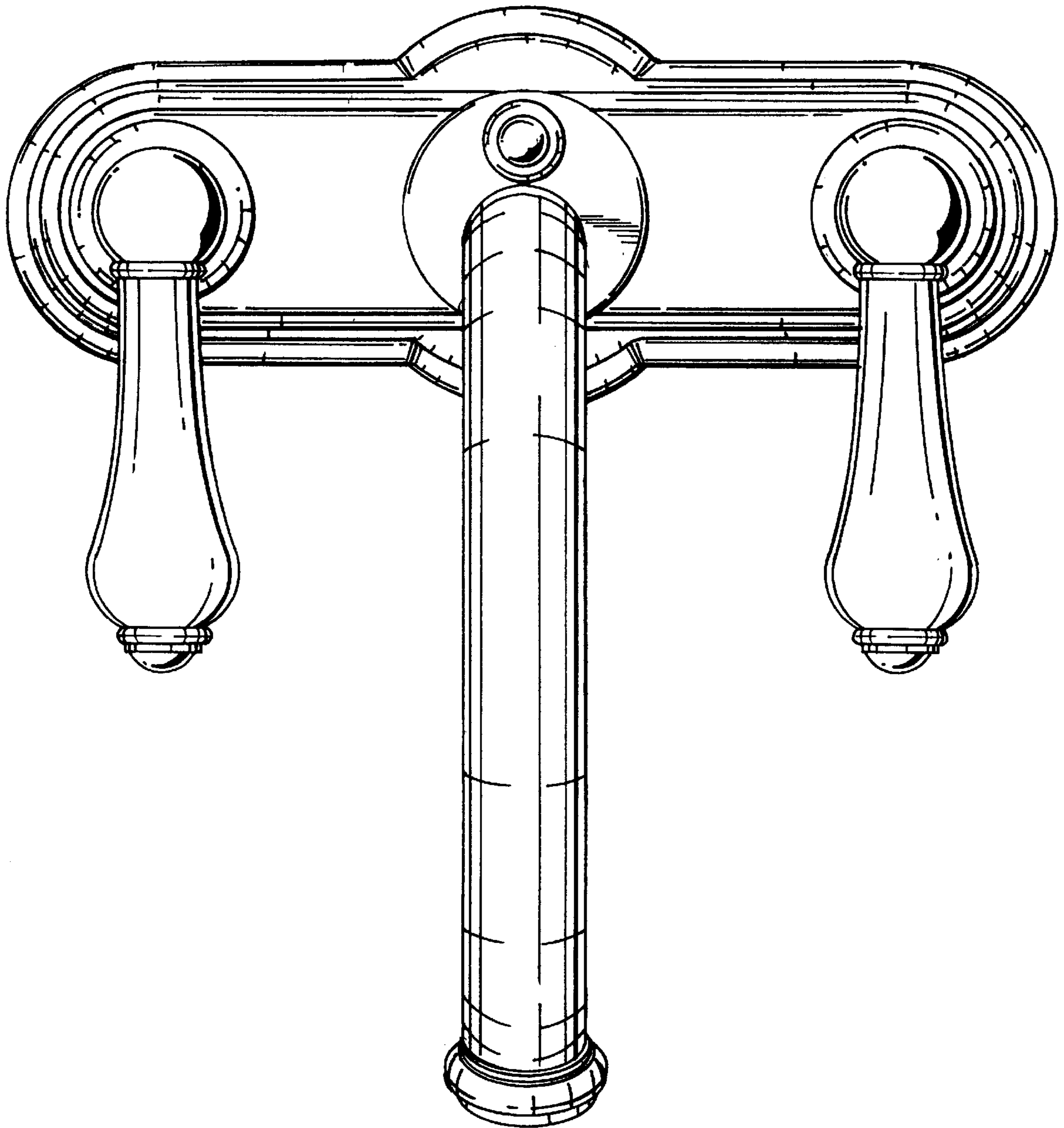


Fig. 4

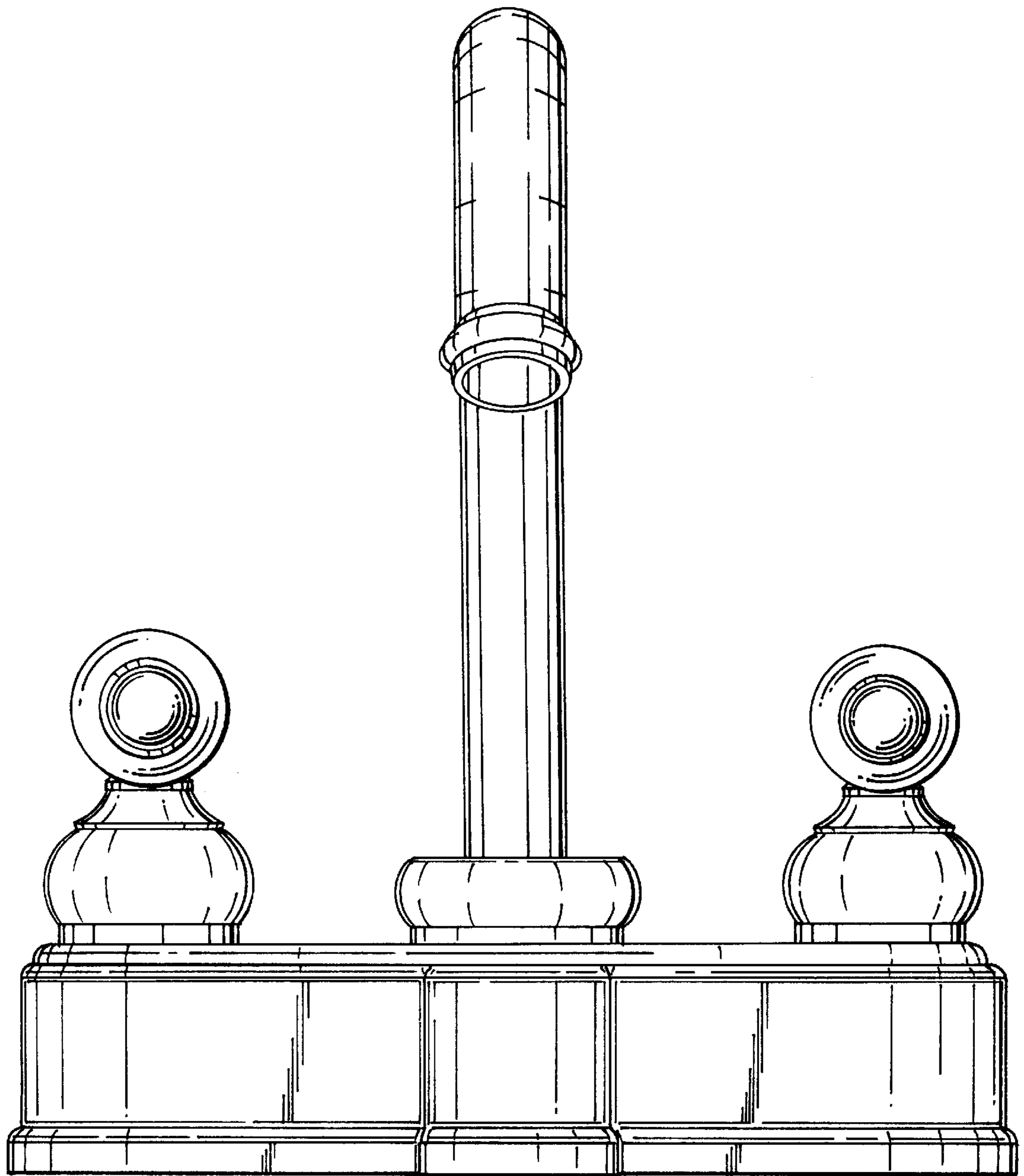


Fig. 5

