



US00D418577S

United States Patent [19]

Davis

[11] Patent Number: **Des. 418,577**

[45] Date of Patent: **** Jan. 4, 2000**

[54] **SPRINKLER SHIELD**

[76] Inventor: **J. C. Davis**, 704 Washington Ave., Oildale, Calif. 93308

[**] Term: **14 Years**

[21] Appl. No.: **29/028,551**

[22] Filed: **Sep. 19, 1994**

[51] **LOC (7) Cl.** **23-01**

[52] **U.S. Cl.** **D23/227**

[58] **Field of Search** D23/213, 227; 239/288, 288.3, 288.5, 268, 283, 390-1, 380-3

[56] **References Cited**

U.S. PATENT DOCUMENTS

D. 312,296	11/1990	Smallwood	D23/214
3,514,040	5/1970	Carson	D23/227
5,039,015	8/1991	De La Vega	239/288

OTHER PUBLICATIONS

Cross Jewel; Cross perforated metal brochure 1958.

Primary Examiner—Robin V. Taylor
Attorney, Agent, or Firm—Richard A. Ryan

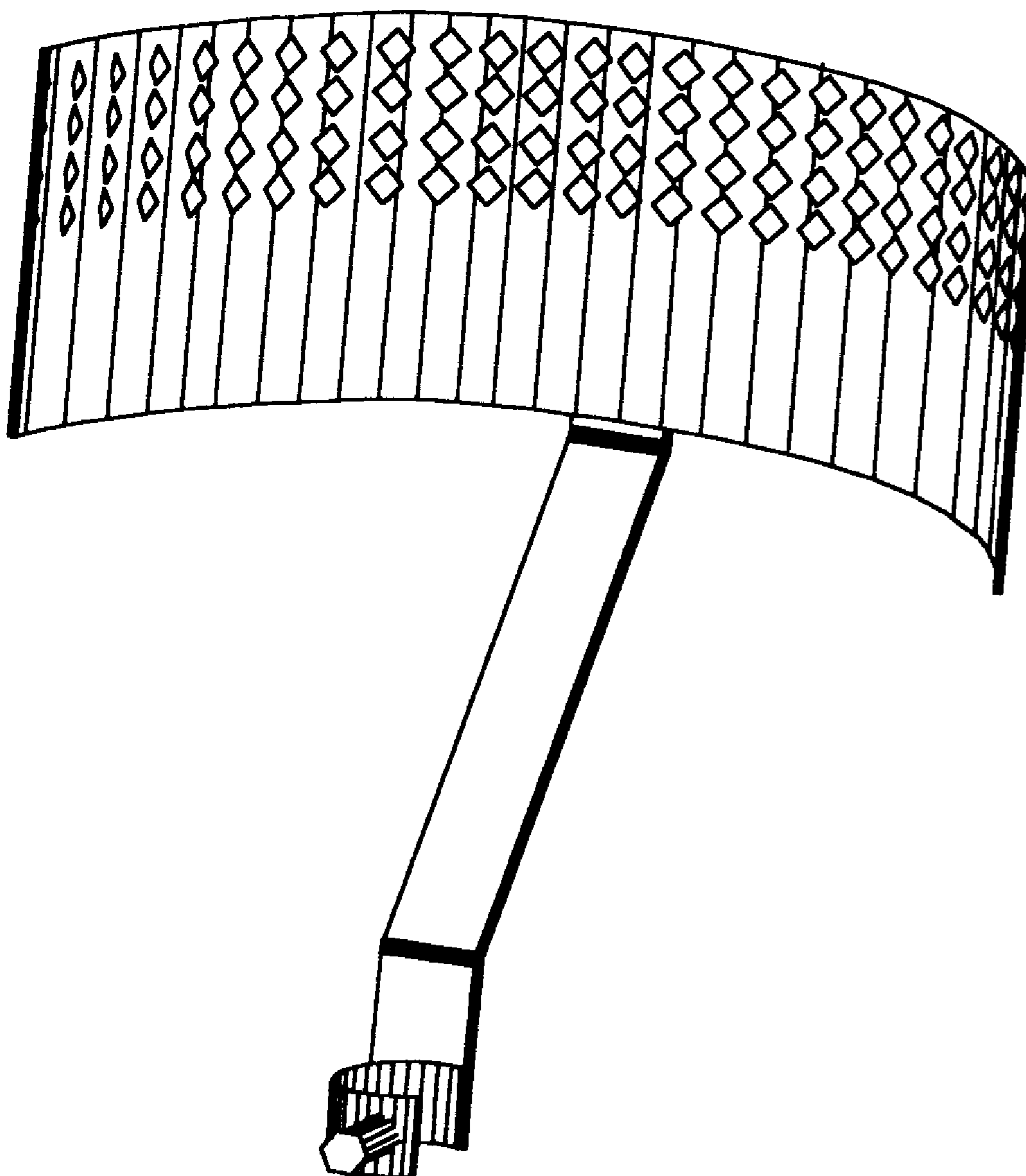
[57] **CLAIM**

The ornamental design for a sprinkler shield, as shown and described.

DESCRIPTION

FIG. 1 is a front elevational view of a sprinkler shield showing the design;
FIG. 2 is a rear elevational view of thereof;
FIG. 3 is a left side elevational view thereof, the right side being a mirror image of that shown;
FIG. 4 is a top plan view thereof;
FIG. 5 is a bottom plan view thereof; and,
FIG. 6 is a perspective view thereof.

1 Claim, 3 Drawing Sheets



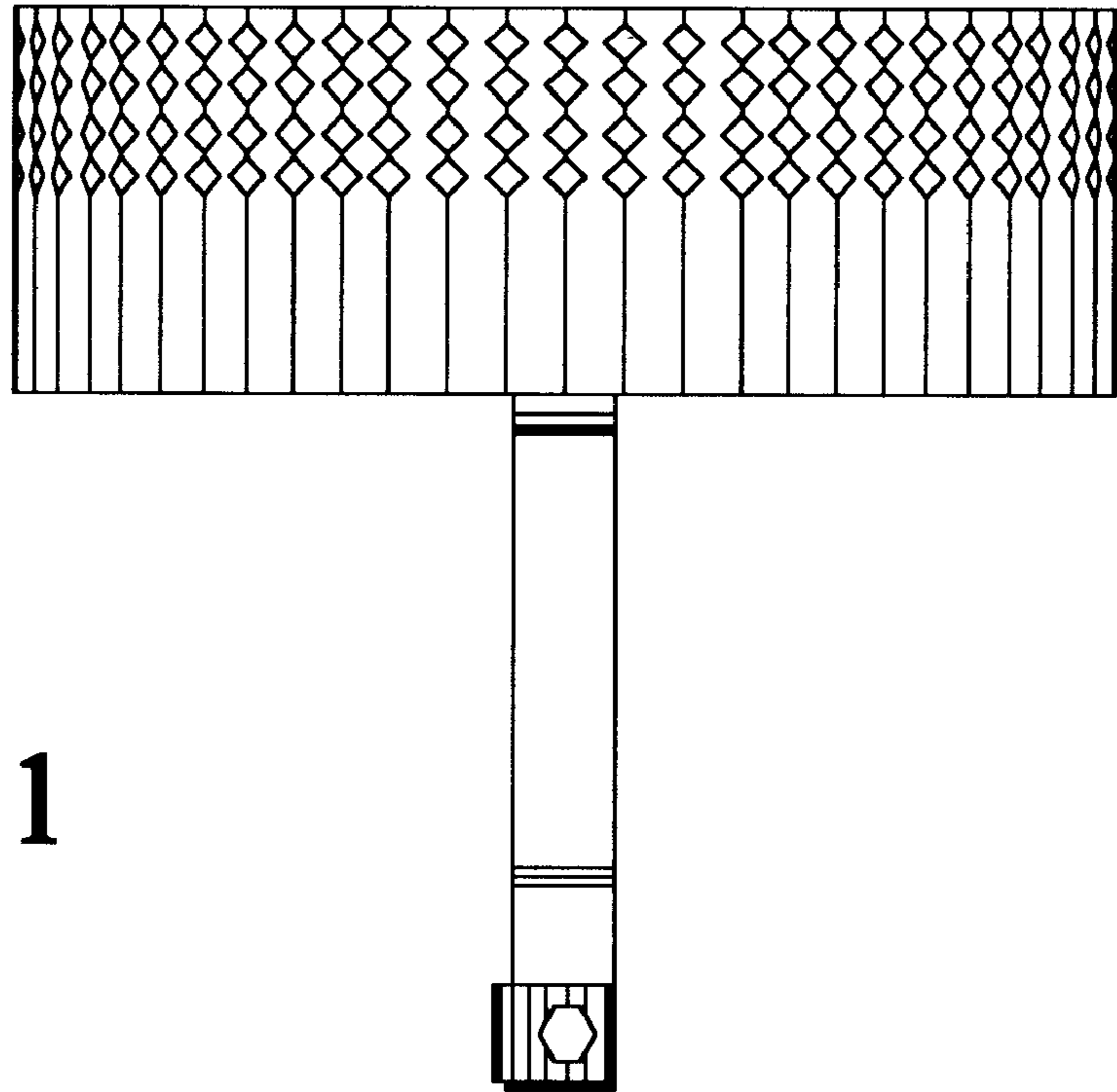


FIG. 1

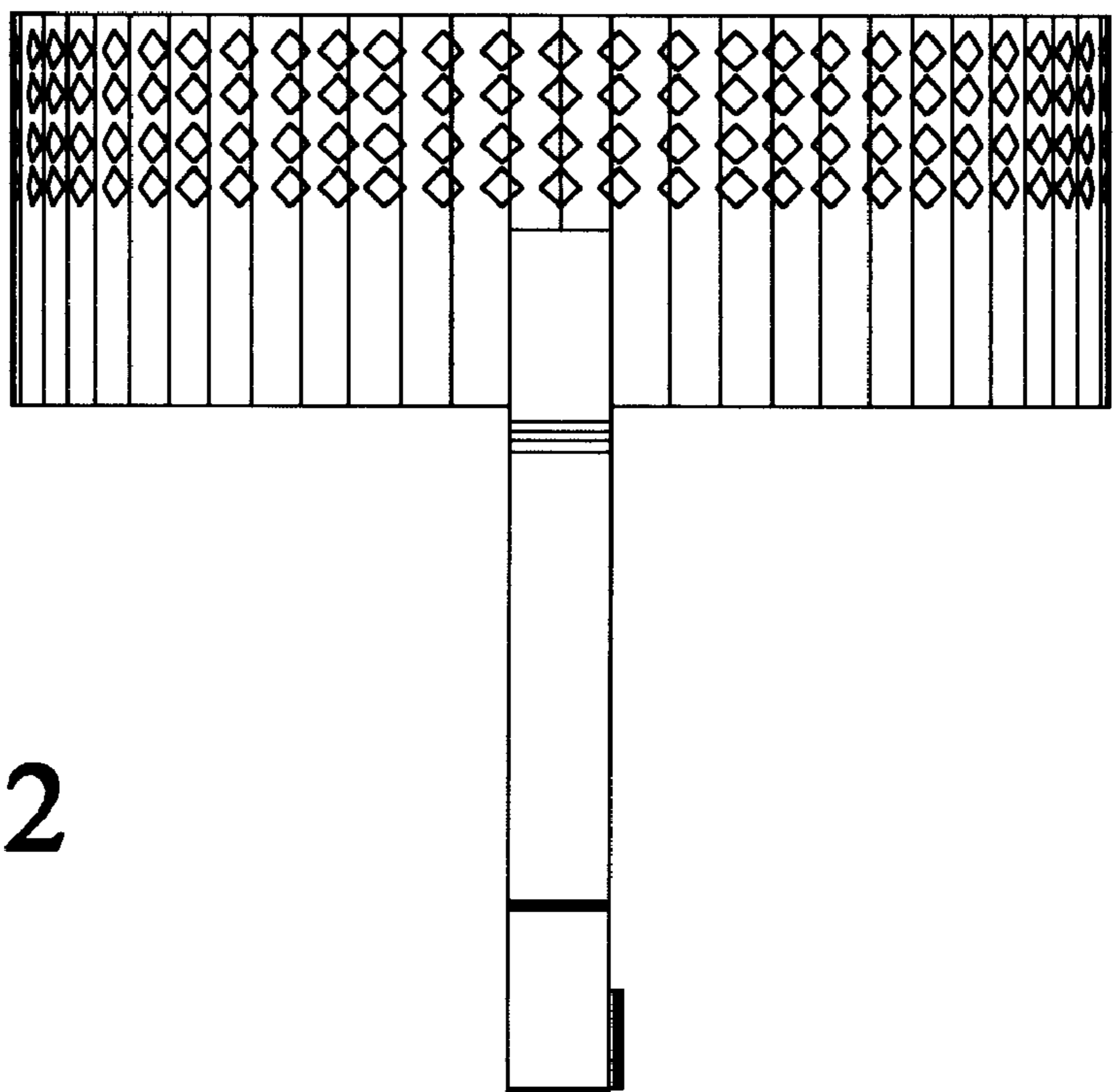


FIG. 2

FIG. 3

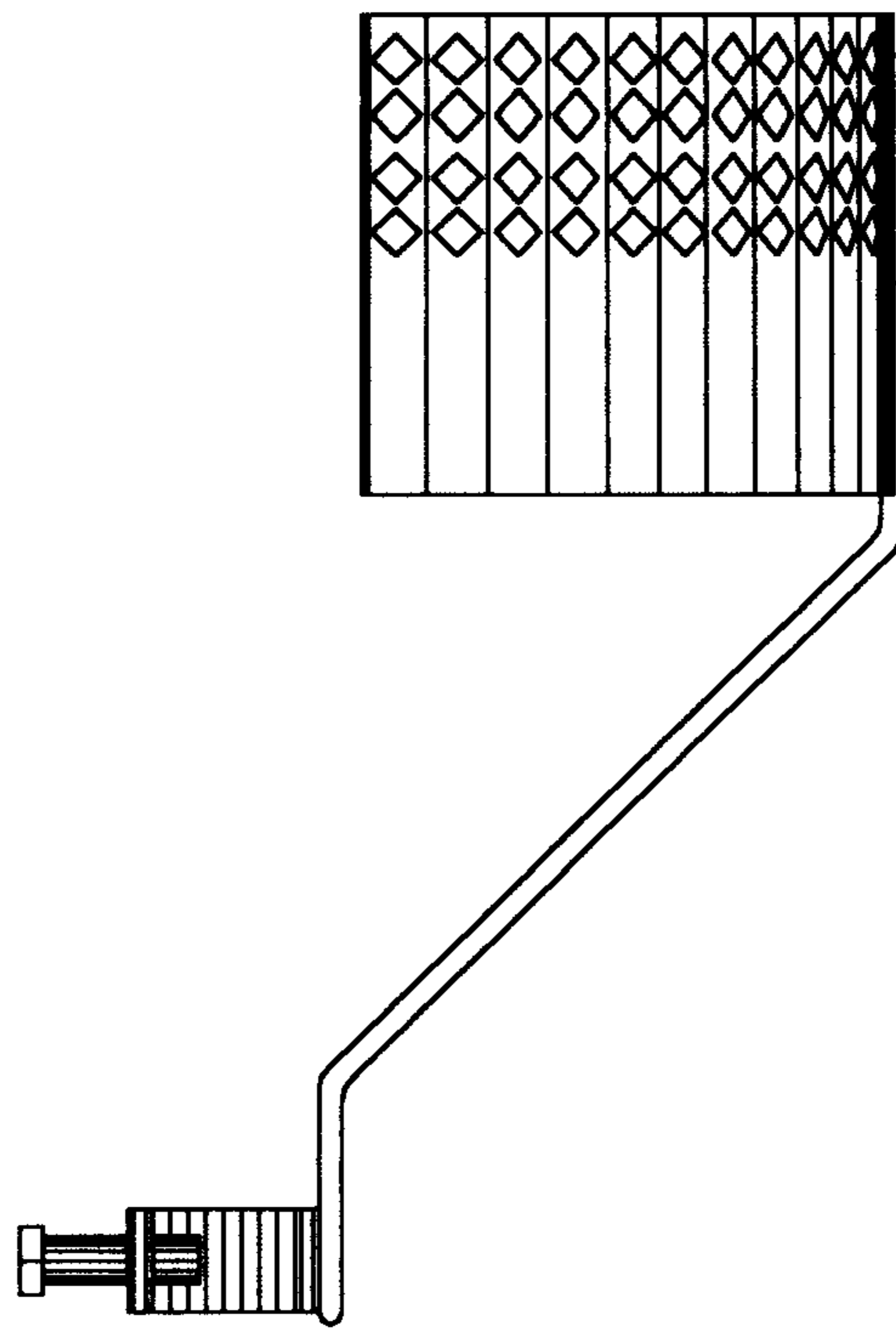


FIG. 4

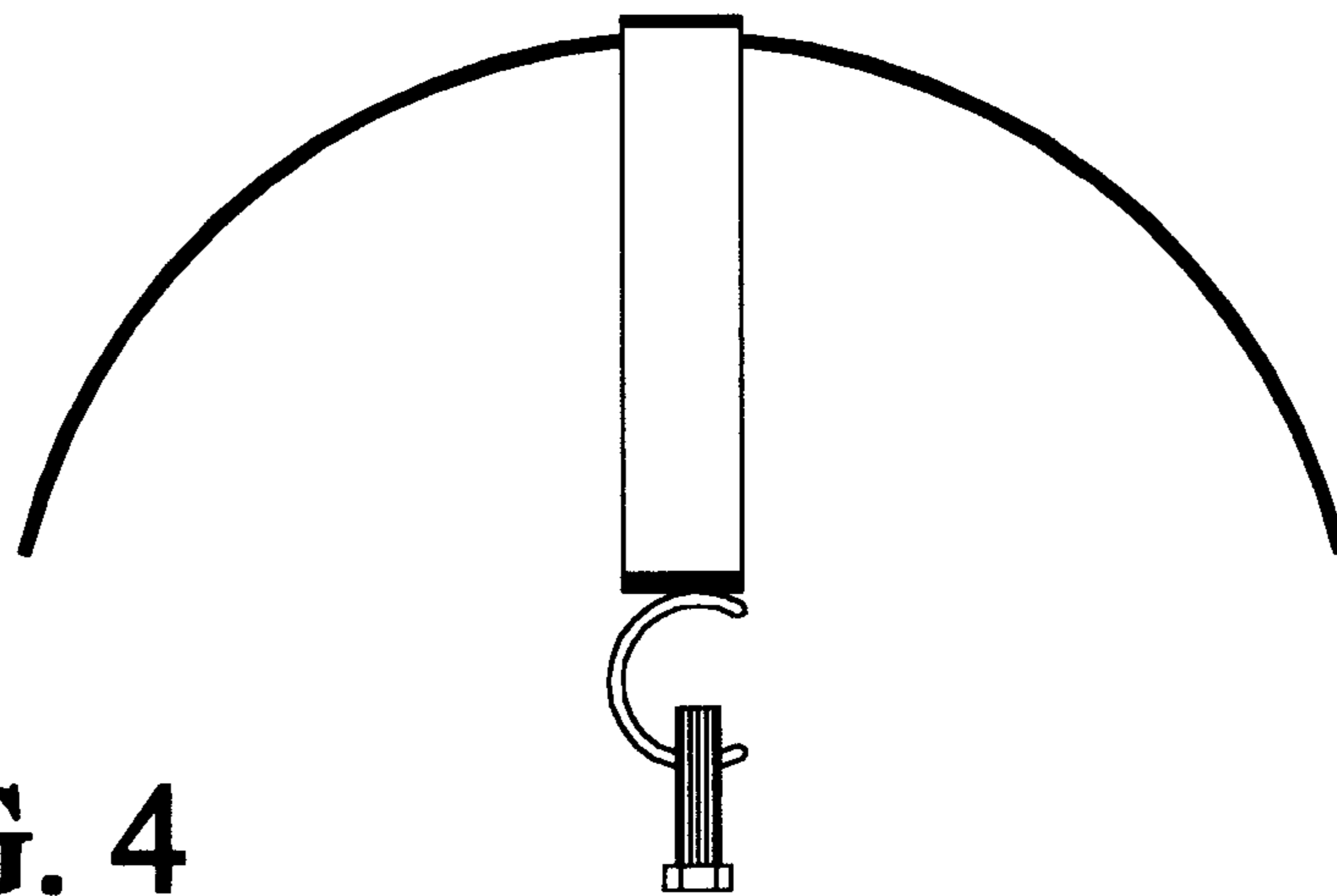


FIG. 5

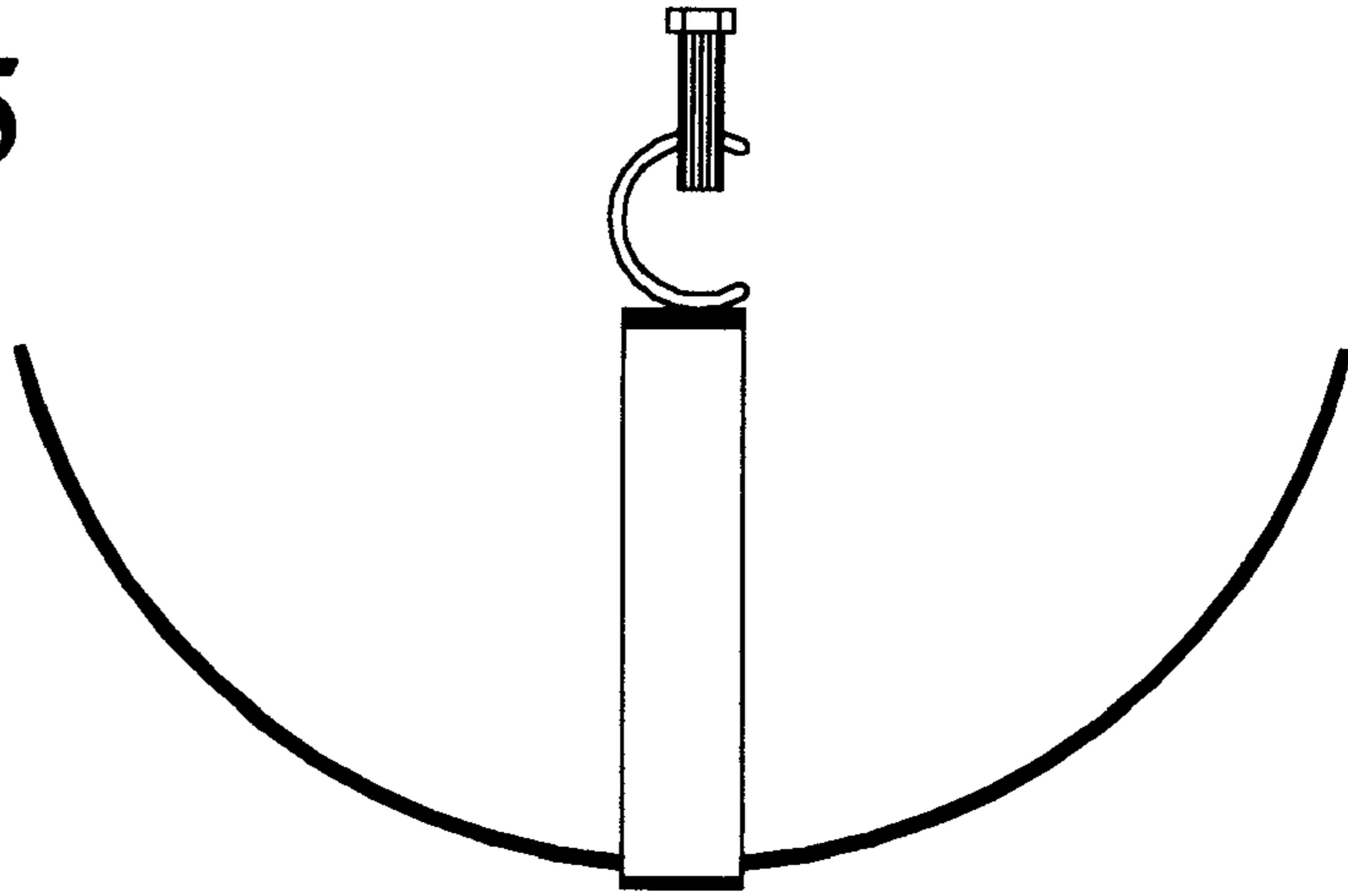


FIG. 6

