



US00D418570S

**United States Patent** [19]  
**Malinoff**

[11] **Patent Number: Des. 418,570**  
[45] **Date of Patent: \*\* Jan. 4, 2000**

[54] **GOLF BALL MOUNTING DEVICE**

[76] Inventor: **Don W. Malinoff**, 13149 Ingres Ave.,  
Granada Hills, Calif. 91344

[\*\*] Term: **14 Years**

[21] Appl. No.: **29/094,032**

[22] Filed: **Sep. 24, 1998**

[51] **LOC (7) Cl.** ..... **21-02**

[52] **U.S. Cl.** ..... **D21/789; D21/717**

[58] **Field of Search** ..... **D21/718, 789,**  
**D21/793; 473/386, 388, 284, 257**

[56] **References Cited**

**U.S. PATENT DOCUMENTS**

D. 176,875	2/1956	Miller	.....	D21/718
D. 399,896	10/1998	Plain	.....	D21/218
2,165,479	7/1939	Hallberg	.....	473/257
3,424,457	1/1969	Robertson	.....	472/257

*Primary Examiner*—Mitchell Siegel  
*Attorney, Agent, or Firm*—Colin P. Abrahams

[57] **CLAIM**

The ornamental design for a golf ball mounting device, as shown and described.

**DESCRIPTION**

FIG. 1 is a perspective of the golf ball mounting device showing the design of the invention, the broken line showing is for illustrative purposes only and forms no part of the claimed design;

FIG. 2 is a side view of the golf ball mounting device showing the design of the invention;

FIG. 3 is a end view of the golf ball mounting device showing the design of the invention;

FIG. 4 is a end view of the golf ball mounting device showing the design of the invention;

FIG. 5 is a top view of the golf ball mounting device; and, FIG. 6 is a bottom view of the golf ball mounting device.

**1 Claim, 2 Drawing Sheets**

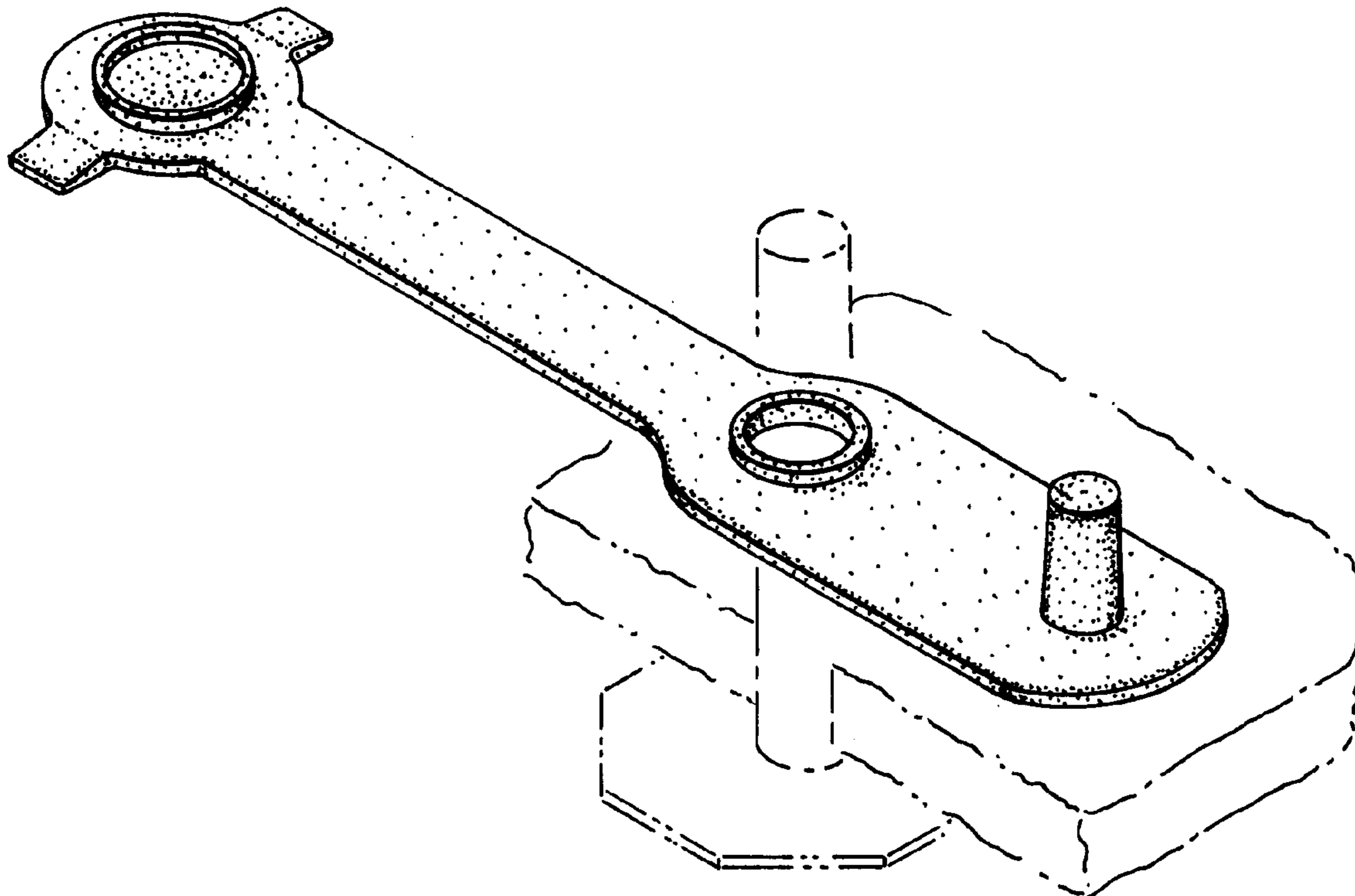


FIG. 1

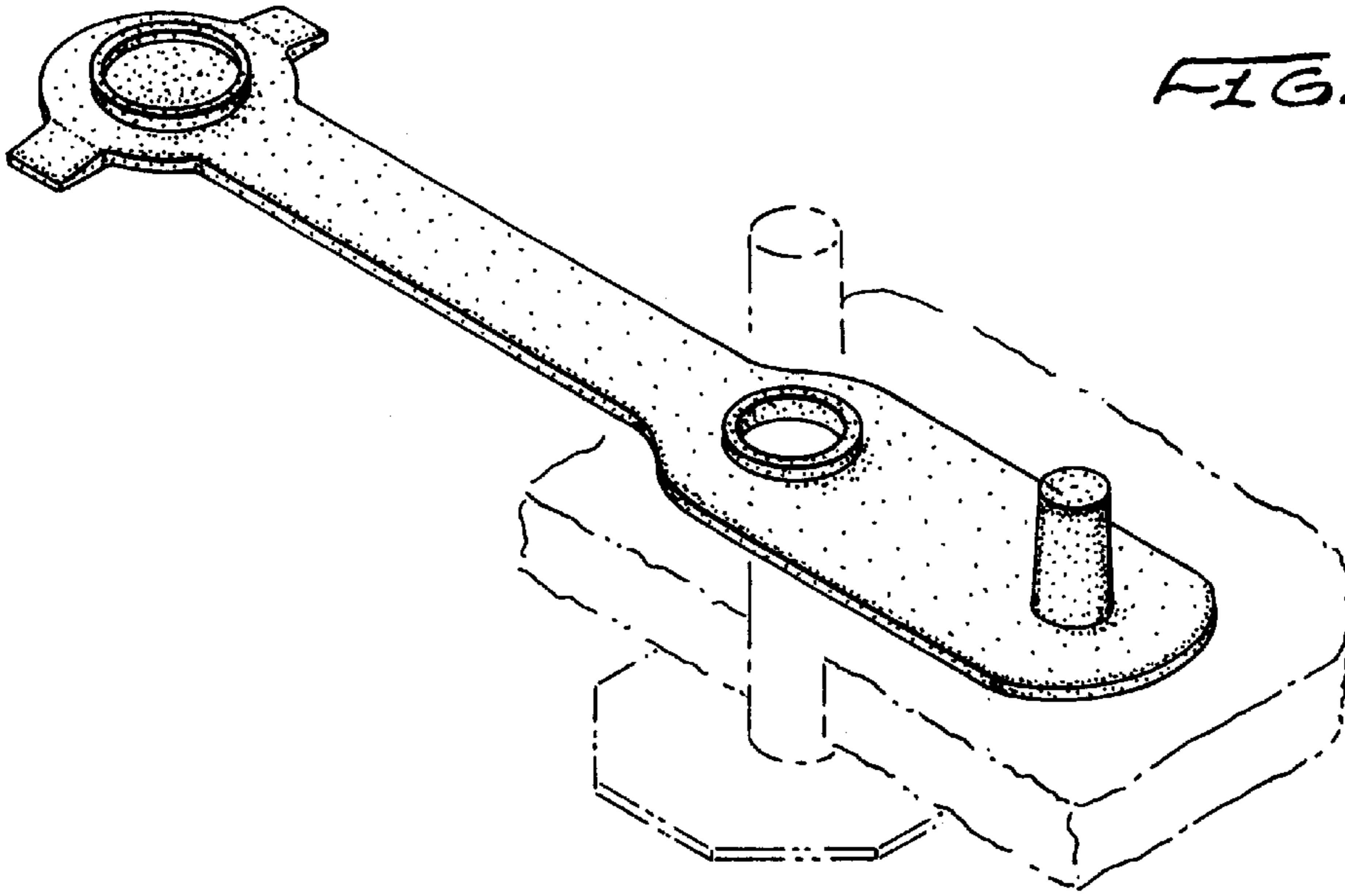


FIG. 2



FIG. 3

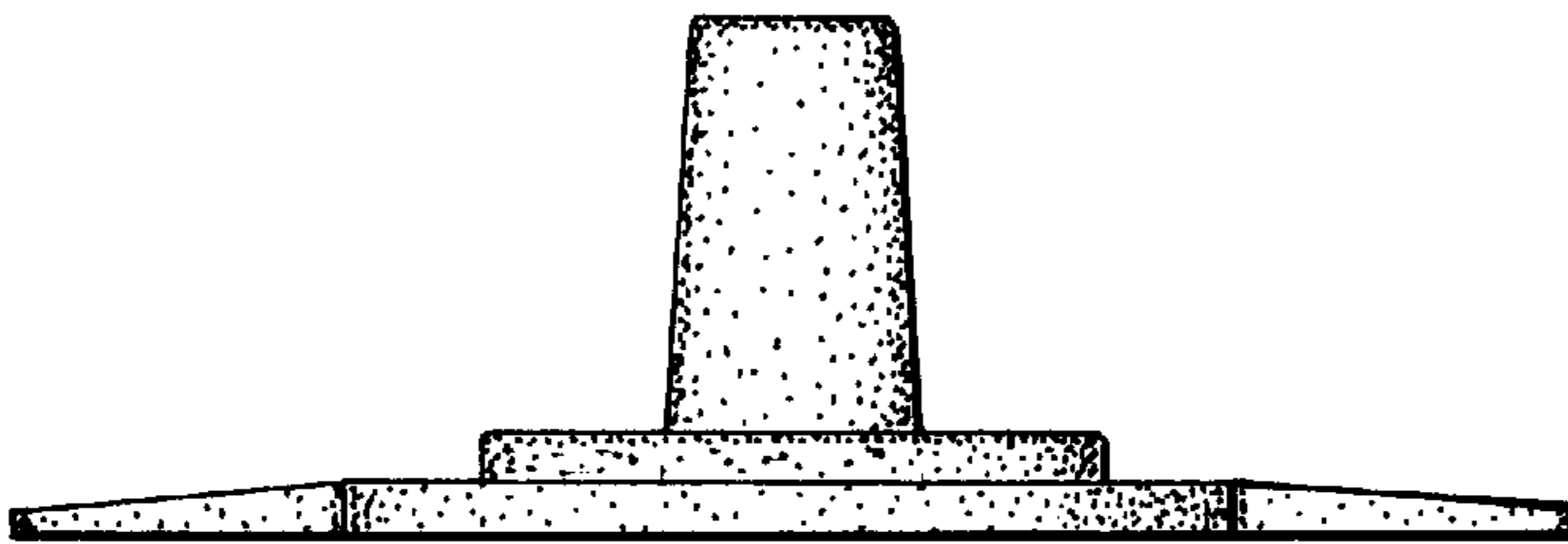


FIG. 4

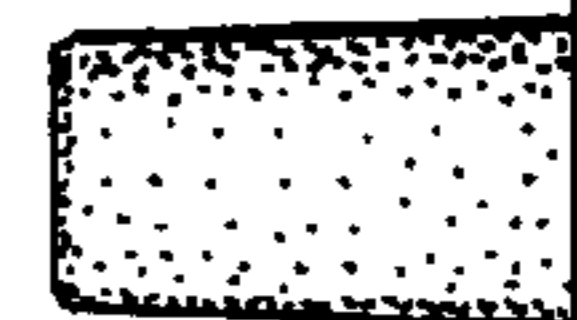
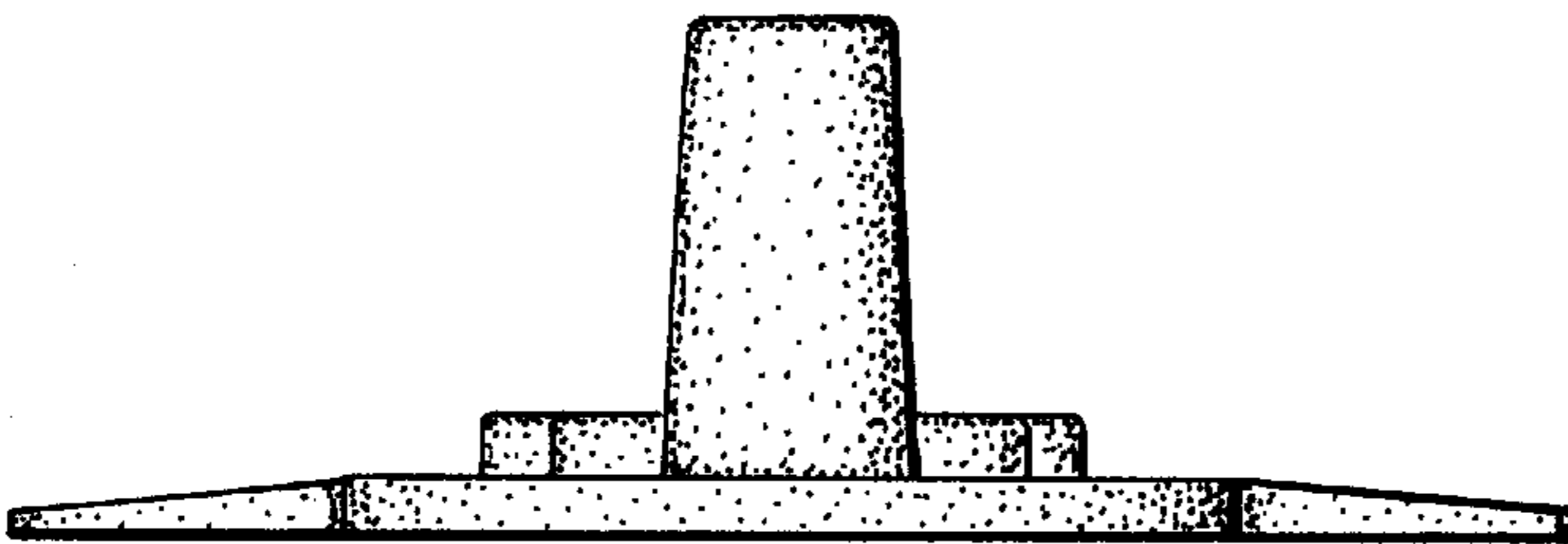


FIG. 5

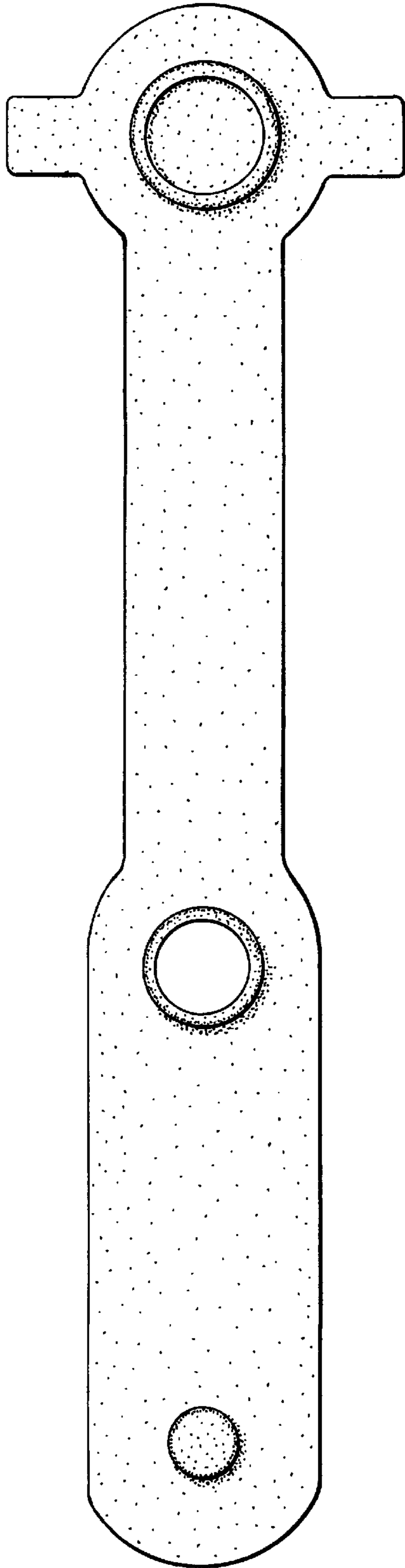


FIG. 6

