



US00D418562S

United States Patent [19]

[11] Patent Number: **Des. 418,562**

Pravitz et al.

[45] Date of Patent: **** Jan. 4, 2000**

[54] **ATTACHMENT UNIT FOR A GYROSCOPIC EXERCISER DEVICE**

D. 351,437	10/1994	Pravitz	D21/684
D. 365,612	12/1995	Pravitz	D21/684
D. 381,719	7/1997	Pravitz	D21/684
4,684,124	8/1987	Escher	482/110
5,150,625	9/1992	Mishler	446/233

[75] Inventors: **Kenneth L. Pravitz; Jesus P. Ibarra**, both of Corona, Calif.

Primary Examiner—Philip S. Hyder
Attorney, Agent, or Firm—Willie Krawitz

[73] Assignee: **Variety Plastic Products**, Corona, Calif.

[57] **CLAIM**

[**] Term: **14 Years**

The ornamental design for an attachment unit for a gyroscopic exerciser device, as shown and described.

[21] Appl. No.: **29/101,042**

DESCRIPTION

[22] Filed: **Feb. 23, 1999**

[51] **LOC (7) Cl.** **21-02**

FIG. 1 is a top plan view of an attachment unit for a gyroscopic exerciser device showing our design; FIG. 2 is a front elevation view thereof; FIG. 3 is a bottom plan view thereof; FIG. 4 is a rear elevation view thereof; and, FIG. 5 is a left side elevation view, and being the mirror image of the right side elevation view thereof.

[52] **U.S. Cl.** **D21/684; 482/110**

[58] **Field of Search** **D21/662, 684; 482/110, 115, 45; 446/233**

[56] **References Cited**

U.S. PATENT DOCUMENTS

D. 350,796 9/1994 Pravitz D21/684

1 Claim, 1 Drawing Sheet

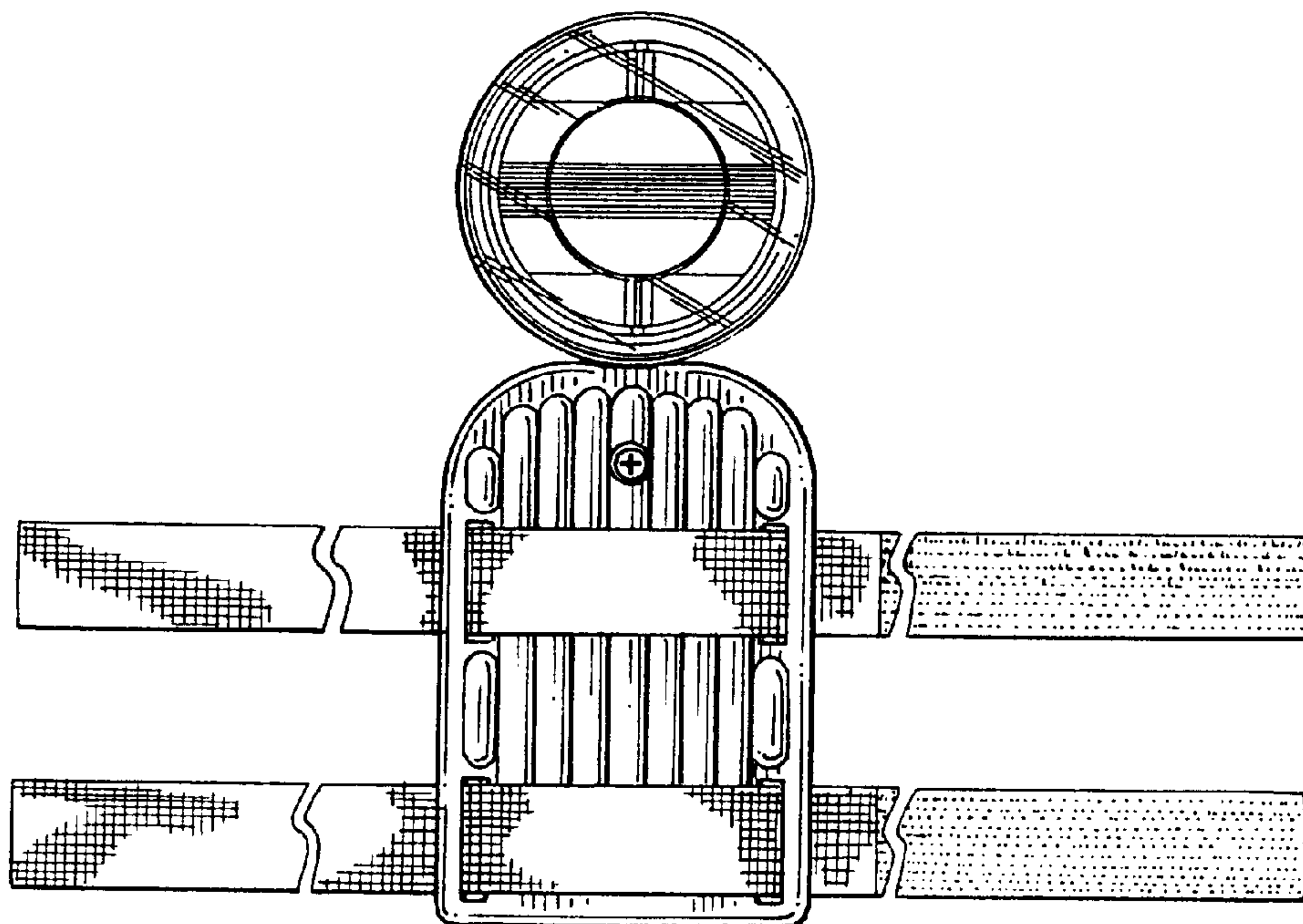
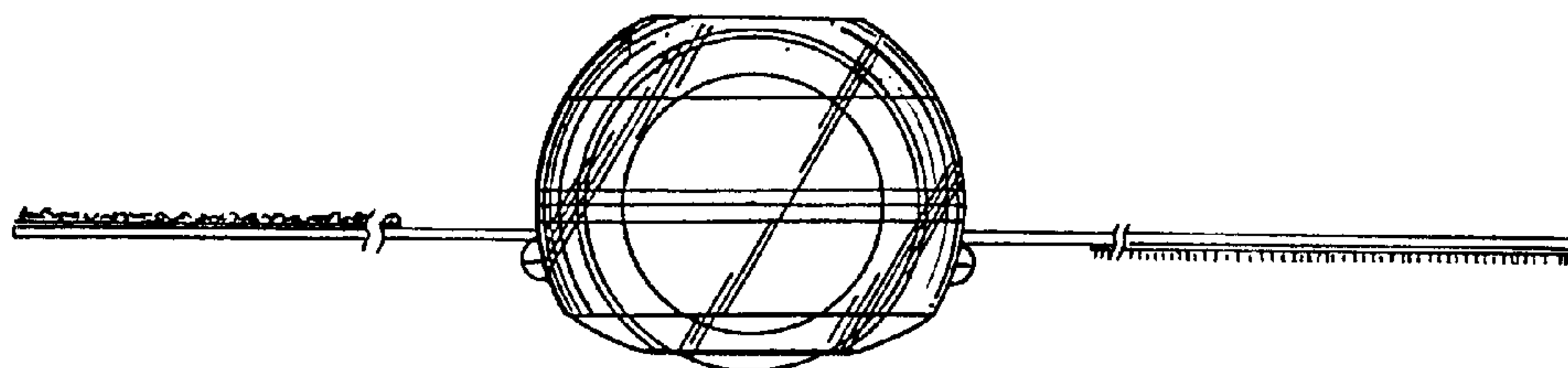


FIG. 1

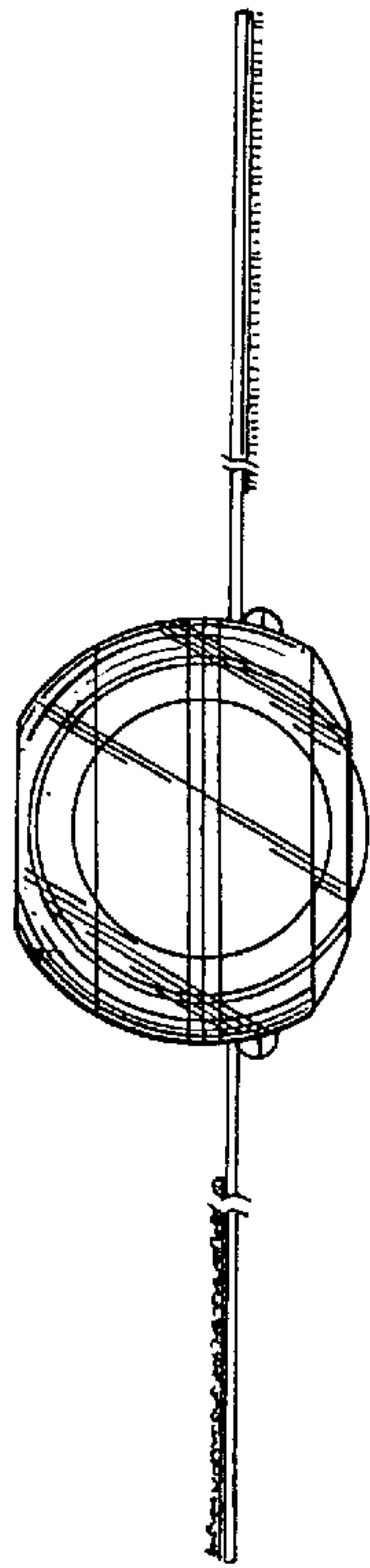


FIG. 3

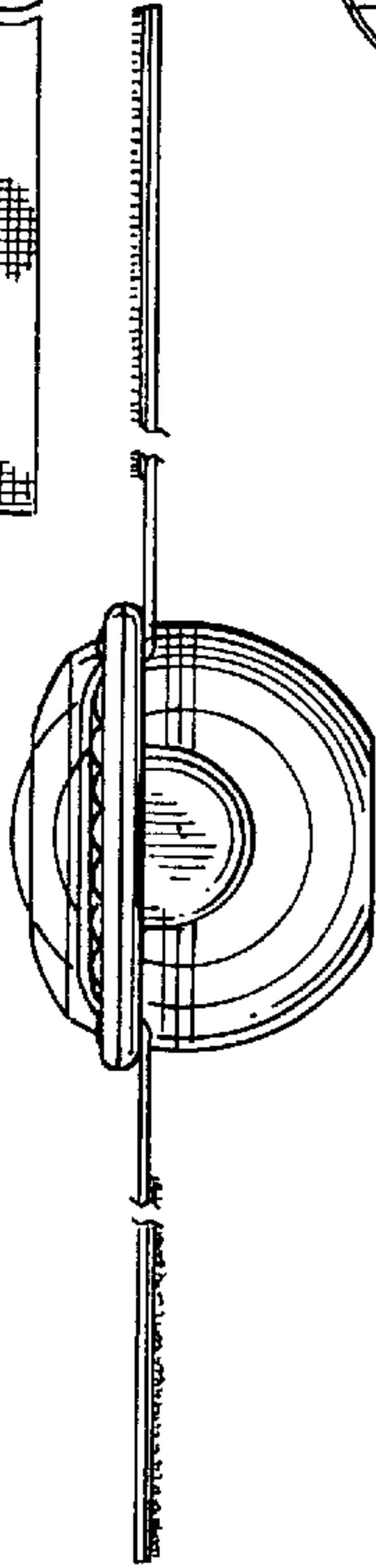


FIG. 4

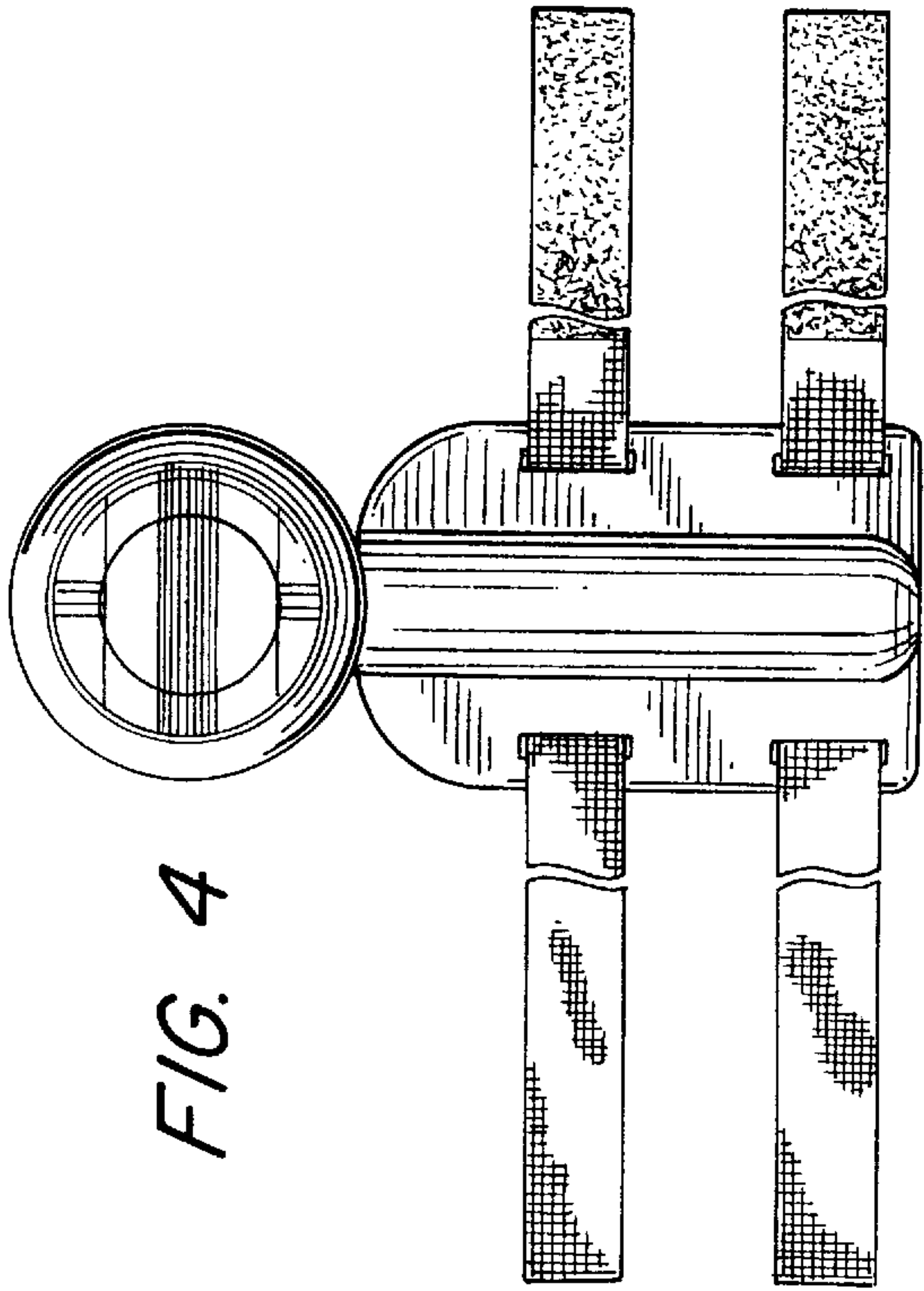


FIG. 2

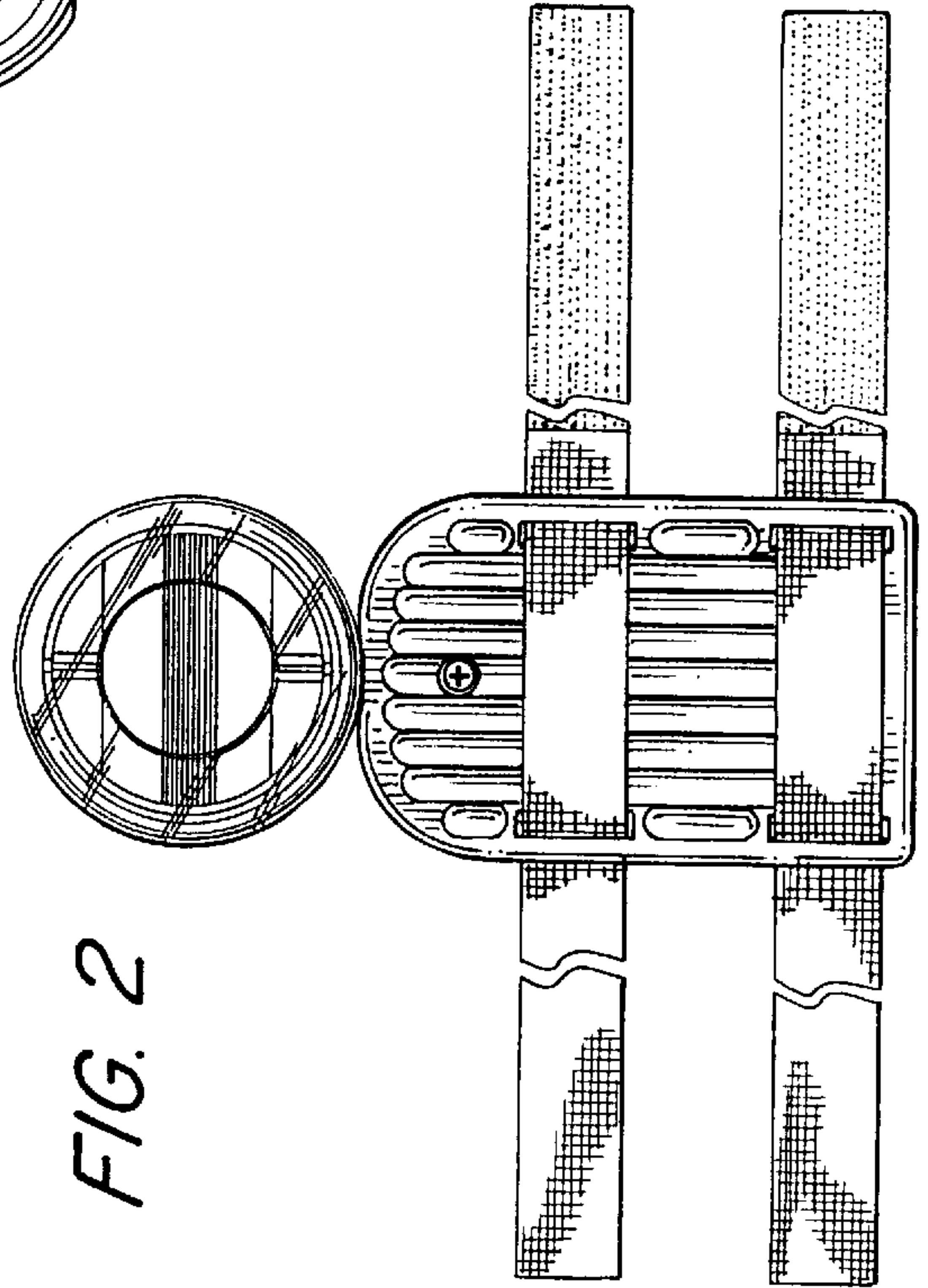


FIG. 5

