



US00D418561S

United States Patent [19] Cousins

[11] **Patent Number: Des. 418,561**
[45] **Date of Patent: ** Jan. 4, 2000**

[54] **HANDGRIP EXERCISER**
[75] Inventor: **Michael Cousins**, New York, N.Y.
[73] Assignee: **E & B Giftware, Inc.**, Yonkers, N.Y.
[**] Term: **14 Years**
[21] Appl. No.: **29/100,042**
[22] Filed: **Feb. 2, 1999**
[51] **LOC (7) Cl.** **21-02**
[52] **U.S. Cl.** **D21/684; D21/692**
[58] **Field of Search** D21/684, 662,
D21/692, 693; 482/44, 49, 121, 122, 126

4,943,047 7/1990 Noble 482/49
5,308,299 5/1994 Winston 482/49
5,360,385 11/1994 Wang 482/49
5,833,580 11/1998 Chiu 482/49

Primary Examiner—Philip S. Hyder
Attorney, Agent, or Firm—Stanley J. Yavner

[57] **CLAIM**

The ornamental design for handgrip exerciser, as shown and described.

DESCRIPTION

FIG. 1 is a front, right side and top isometric view, of handgrip exerciser, showing my new design;
FIG. 2 is a top plan view thereof;
FIG. 3 is a left side elevational view thereof;
FIG. 4 is a rear elevational view thereof; and,
FIG. 5 is a bottom plan view thereof.

[56] **References Cited**
U.S. PATENT DOCUMENTS
D. 264,737 6/1982 Cooper D21/684
D. 358,857 5/1995 Yang D21/684

1 Claim, 2 Drawing Sheets



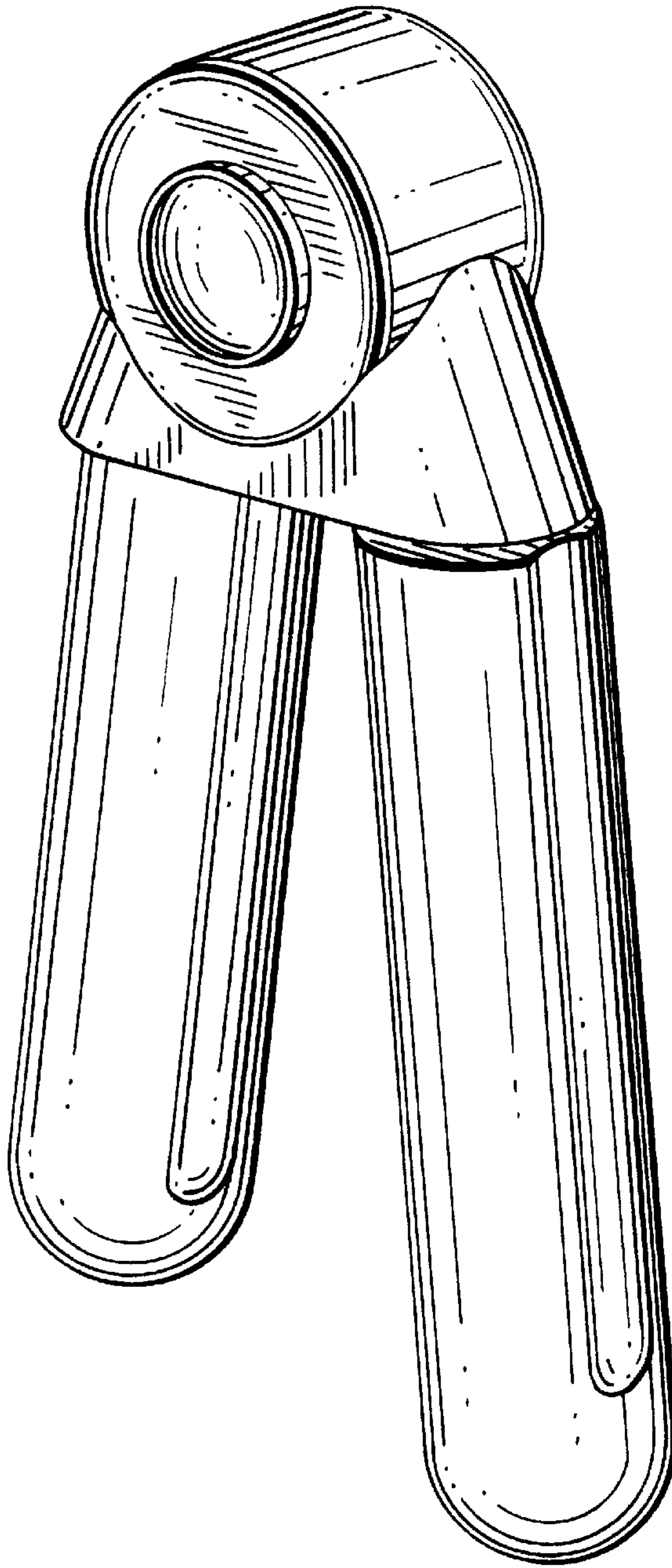


FIG. 1

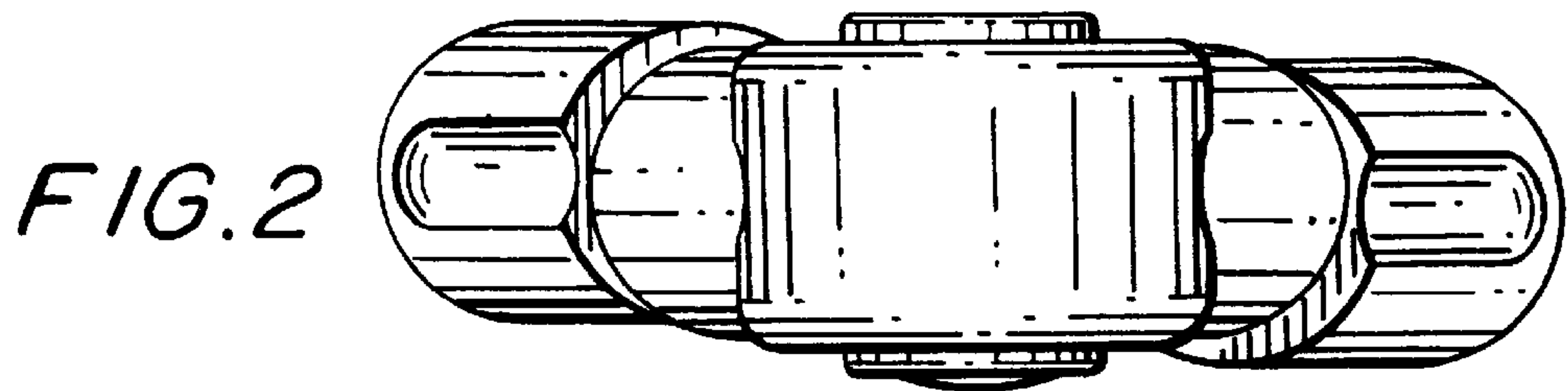


FIG. 2

FIG. 3

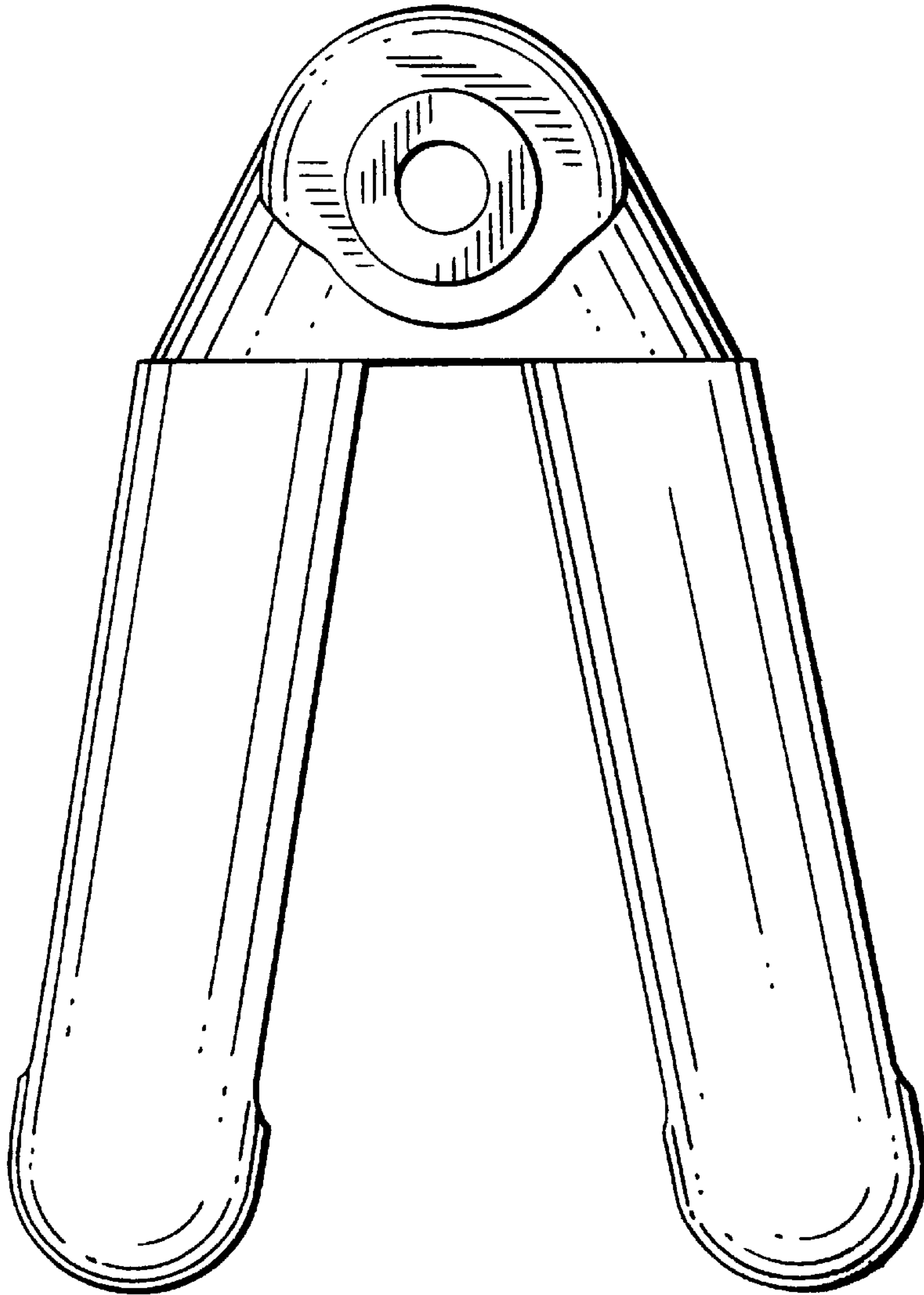
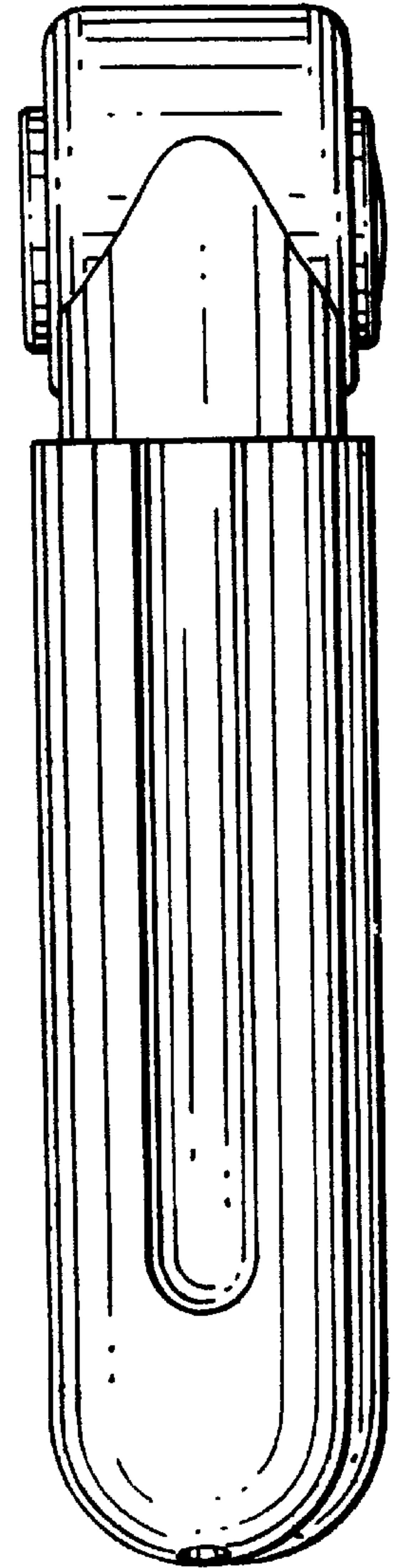


FIG. 4

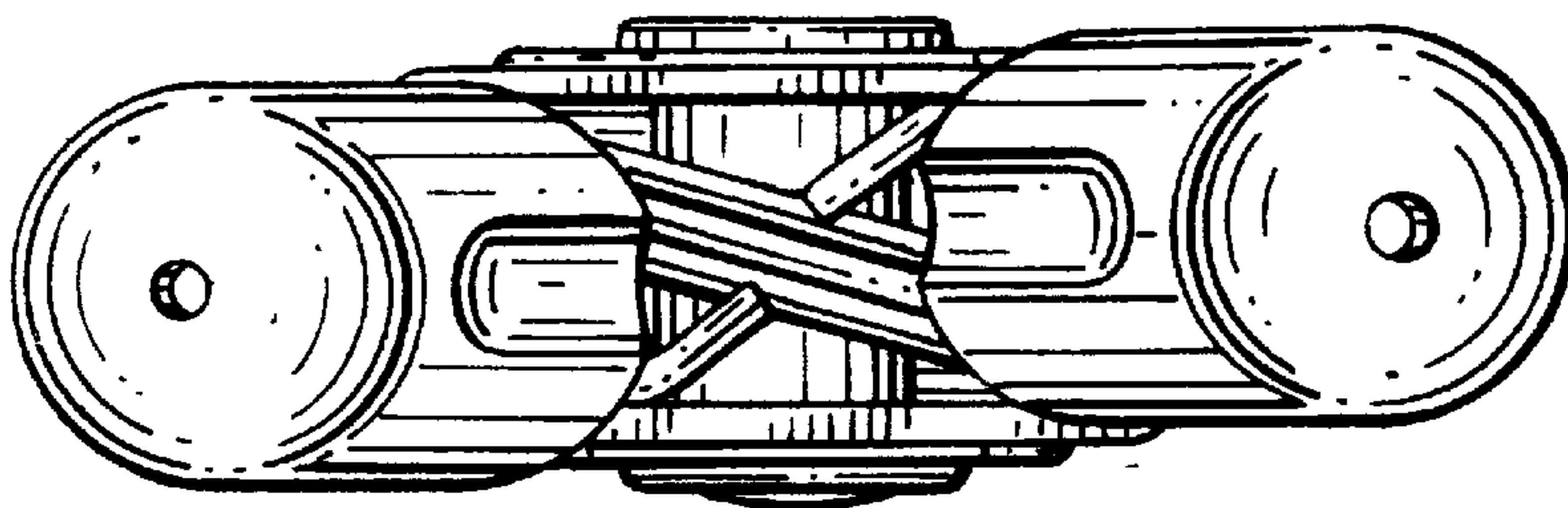


FIG. 5