



US00D418558S

# United States Patent [19]

Sandoval

[11] Patent Number: **Des. 418,558**

[45] Date of Patent: **\*\* Jan. 4, 2000**

[54] **REVOLVING WEIGHT LIFTING BAR**

[76] Inventor: **Martin Sandoval**, 22213 Ibex Ave.,  
Hawaiian Gardens, Calif. 90716

[\*\*] Term: **14 Years**

[21] Appl. No.: **29/098,984**

[22] Filed: **Jan. 9, 1999**

[51] **LOC (7) Cl.** ..... **21-02**

[52] **U.S. Cl.** ..... **D21/681; D21/679**

[58] **Field of Search** ..... **D21/681, 679,**  
**D21/684, 662, 680, 682; 482/92, 106, 107,**  
**108, 105**

[56] **References Cited**

**U.S. PATENT DOCUMENTS**

- D. 287,526 12/1986 Brockett et al. .... D21/681
- D. 397,174 8/1998 Sandoval ..... D21/681
- D. 409,696 5/1999 Sandoval ..... D21/681

- 4,531,729 7/1985 Wrinkle ..... 482/106
- 4,605,222 8/1986 Shannon ..... 482/106
- 5,221,244 6/1993 Doss ..... 482/106

*Primary Examiner*—Philip S. Hyder

[57] **CLAIM**

The ornamental design for a revolving weight lifting bar, as shown and described.

**DESCRIPTION**

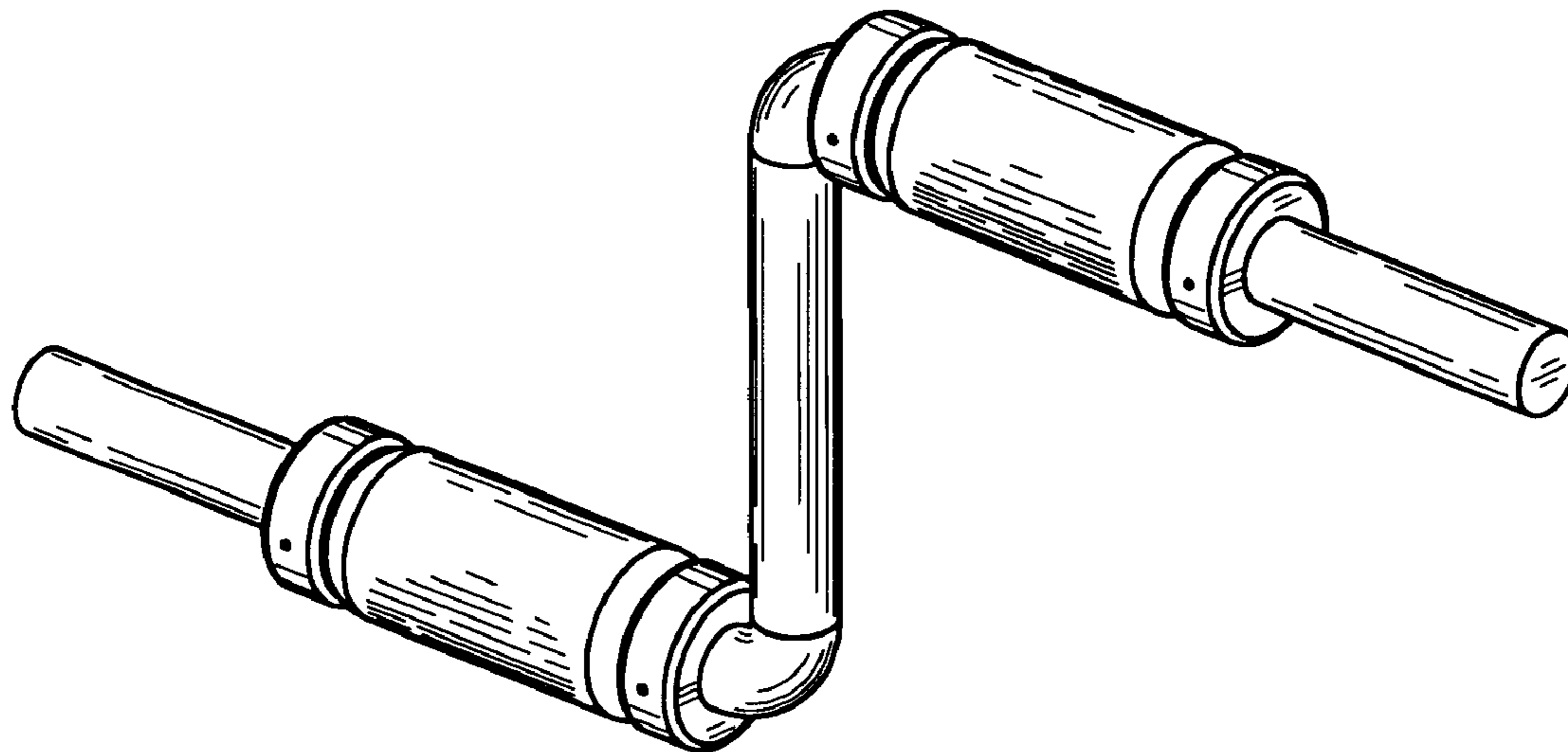
FIG. 1 is a front, top and right side perspective view showing my new design.

FIG. 2 is a right side view thereof, the left side being a mirror image.

FIG. 3 is a top view thereof, the bottom view being a mirror image;and,

FIG. 4 is a front view thereof, the rear view being a mirror image.

**1 Claim, 1 Drawing Sheet**



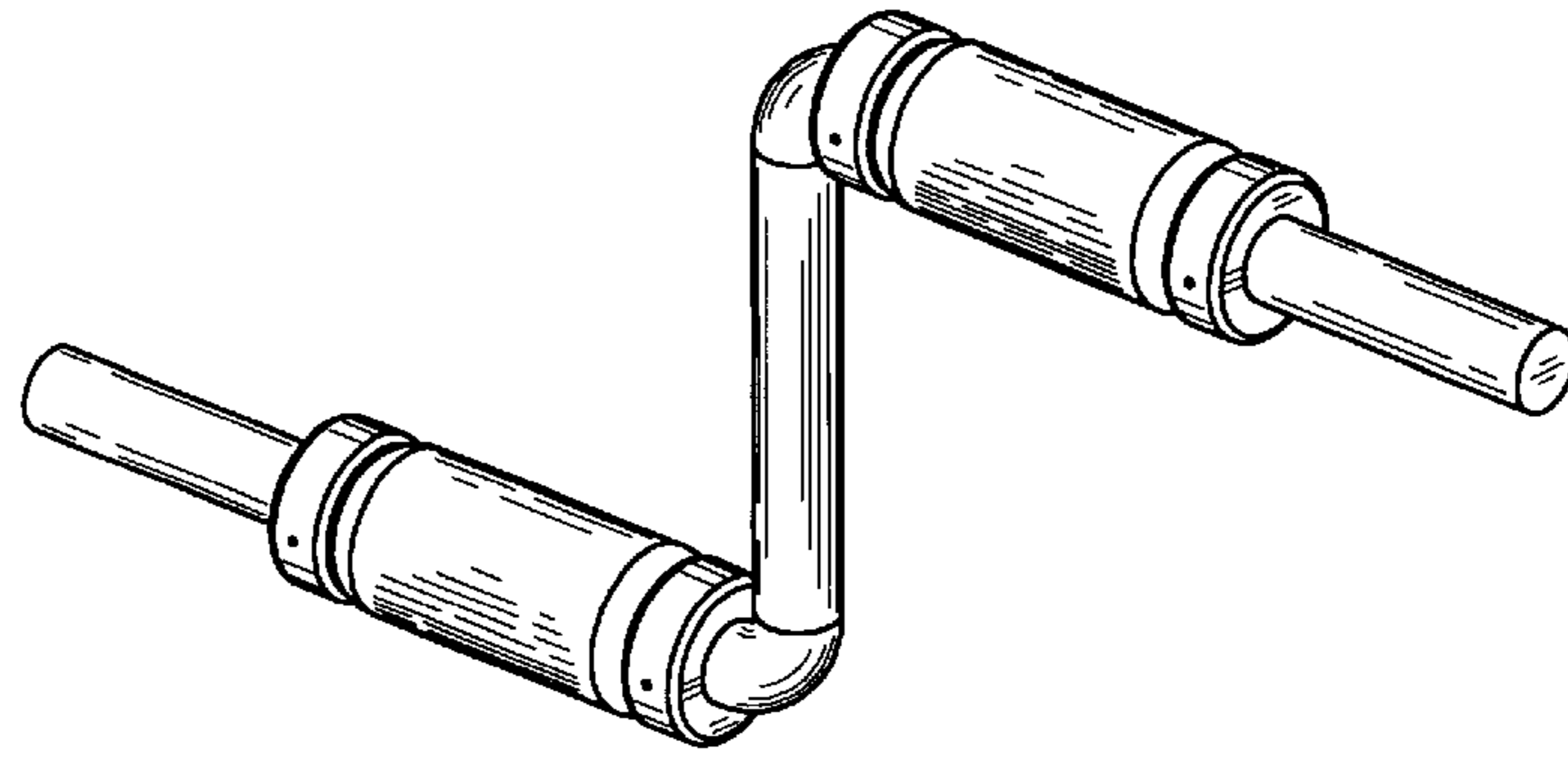


FIG. 1

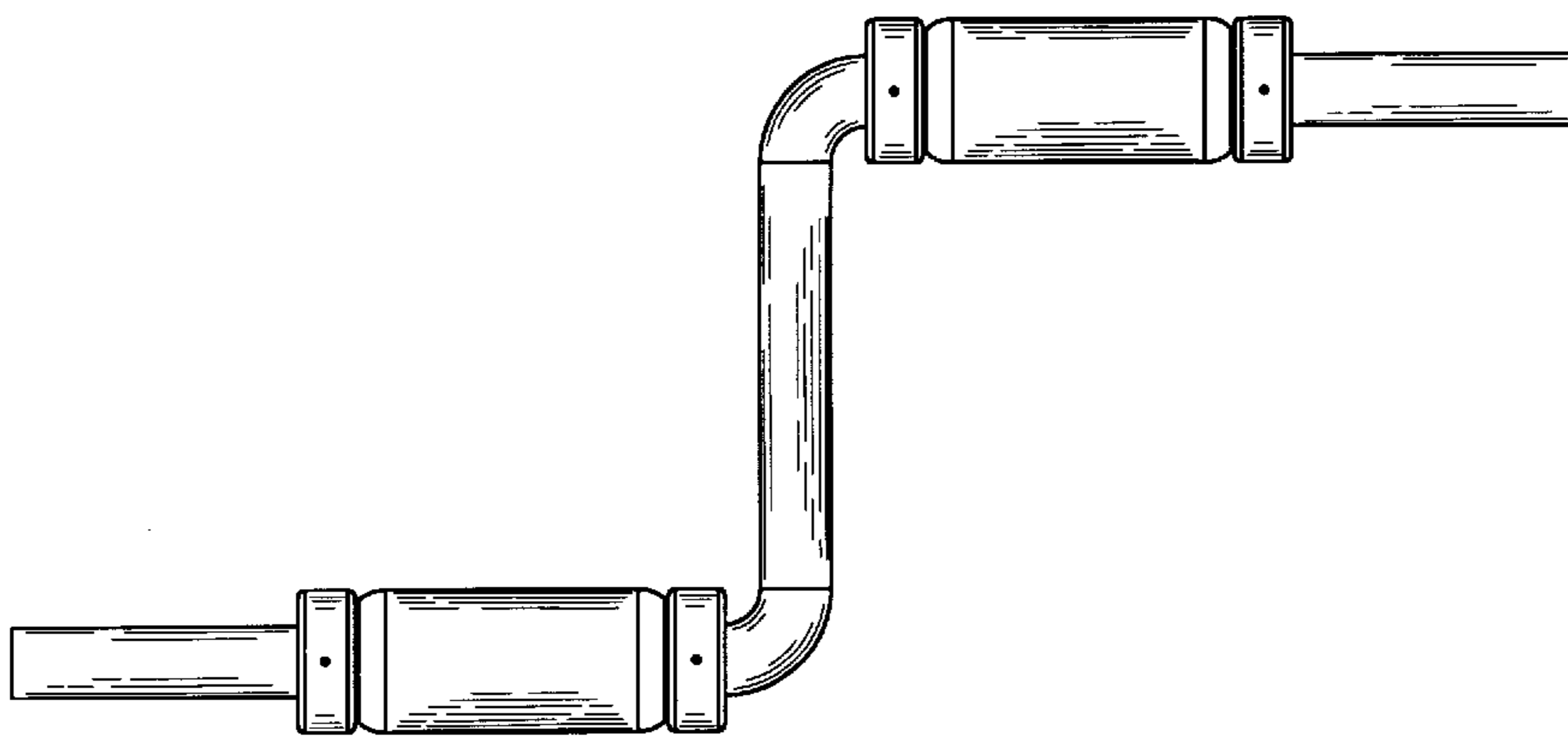


FIG. 3

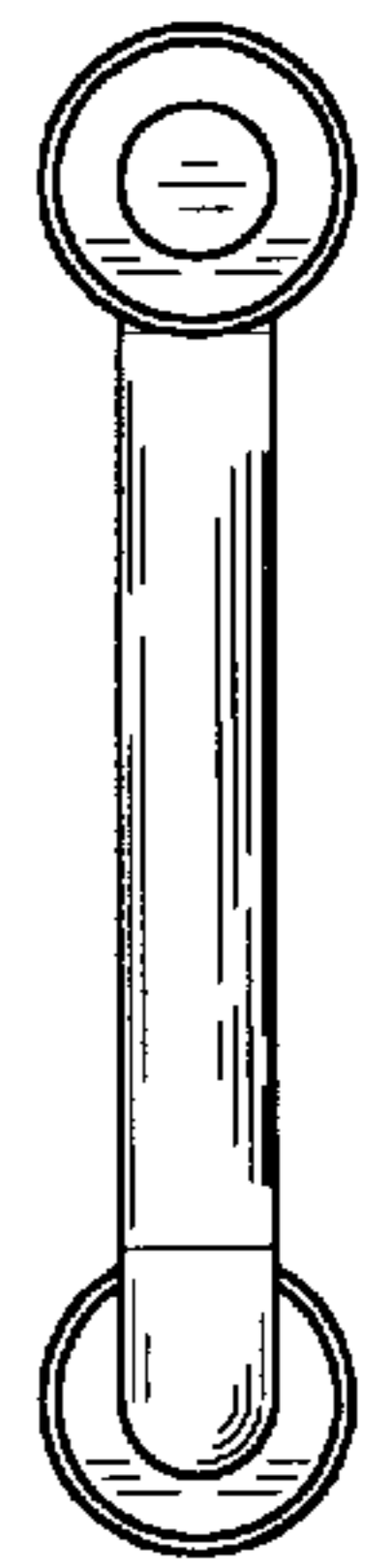


FIG. 2



FIG. 4