



US00D418551S

United States Patent [19]

Kageyama et al.

[11] Patent Number: **Des. 418,551**

[45] Date of Patent: **** Jan. 4, 2000**

[54] TOY

D. 305,053 12/1989 Doi D21/584
D. 307,778 5/1990 Shinohara D21/584

[75] Inventors: **Koji Kageyama; Masahiro Fujita; Hideki Noma**, all of Tokyo, Japan

Primary Examiner—Sandra L. Morris
Attorney, Agent, or Firm—Foley & Lardner

[73] Assignee: **Sony Corporation**, Tokyo, Japan

[57] **CLAIM**

[**] Term: **14 Years**

The ornamental design for a toy, as shown and described.

[21] Appl. No.: **29/079,809**

DESCRIPTION

[22] Filed: **Nov. 19, 1997**

[30] Foreign Application Priority Data

Jul. 10, 1997 [JP] Japan 9-61165
Jul. 10, 1997 [JP] Japan 9-61166

FIG. 1 is a perspective view of a first embodiment of a toy showing our new design;
FIG. 2 is a perspective view thereof in the using condition;
FIG. 3 is a top plan view thereof;
FIG. 4 is a left side elevational view thereof;
FIG. 5 is a front elevational view thereof;
FIG. 6 is a bottom plan view thereof;
FIG. 7 is a right side elevational view thereof;
FIG. 8 is a rear elevational view thereof;
FIG. 9 is a perspective view of a second embodiment of a toy showing our new design;
FIG. 10 is a perspective view thereof in the using condition;
FIG. 11 is a top plan view thereof;
FIG. 12 is a left side elevational view thereof;
FIG. 13 is a front elevational view thereof;
FIG. 14 is a bottom plan view thereof;
FIG. 15 is a right side elevational view thereof; and,
FIG. 16 is a rear elevational view thereof.

[51] **LOC (7) Cl.** **21-01**

[52] **U.S. Cl.** **D21/584; D21/576-595; D21/611; D21/617; D21/658; D11/158; 446/97; 446/98; 446/153; 446/268; 446/269; 446/369**

[58] **Field of Search** D21/576-595, D21/611, 617, 658; D11/158; 446/97, 98, 153, 268, 269, 369

[56] References Cited

U.S. PATENT DOCUMENTS

D. 186,323 10/1959 Kinniburgh D21/611
D. 266,777 11/1982 Lucas, Jr. et al. D21/585

1 Claim, 4 Drawing Sheets

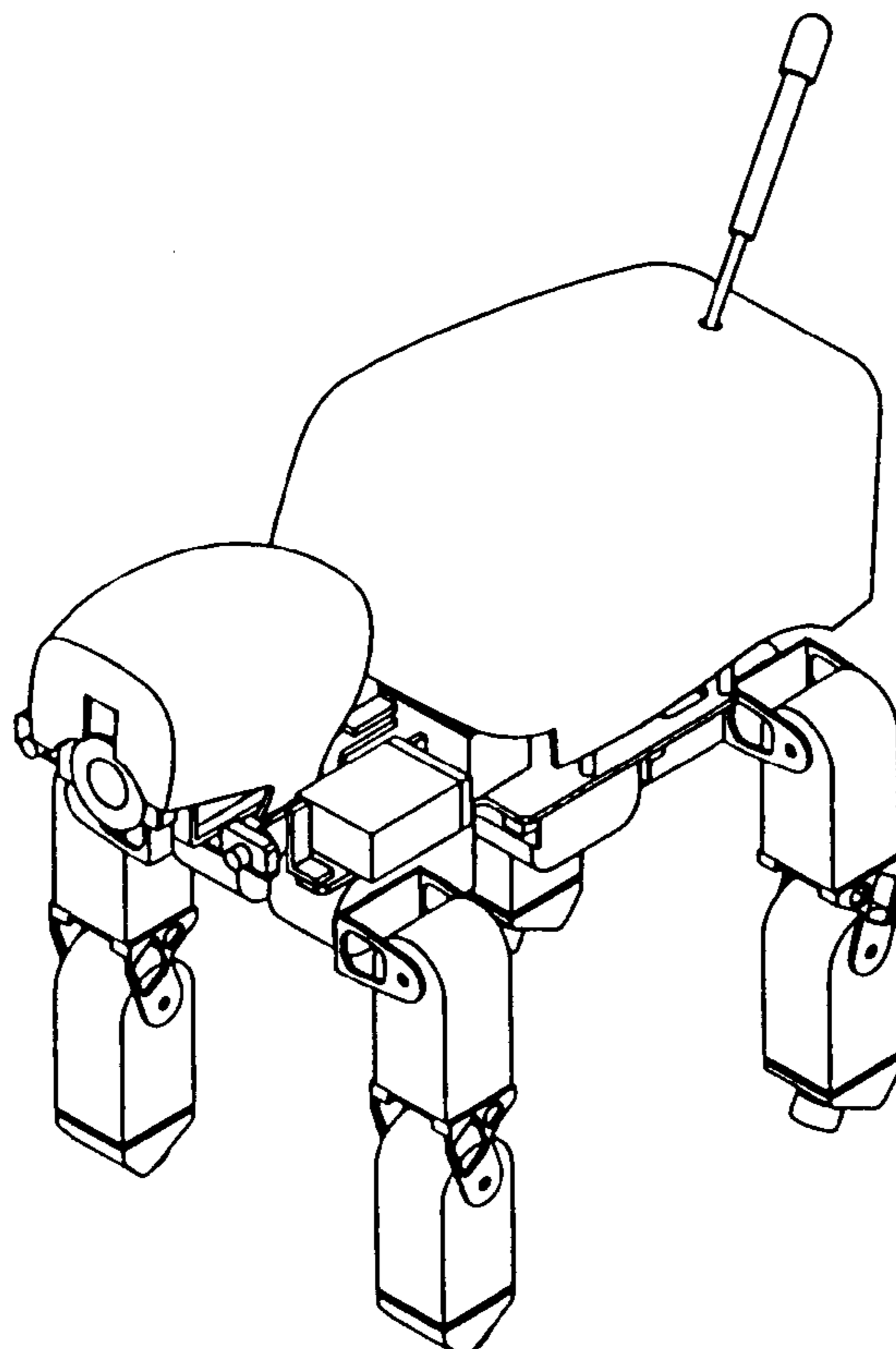


FIG. 2

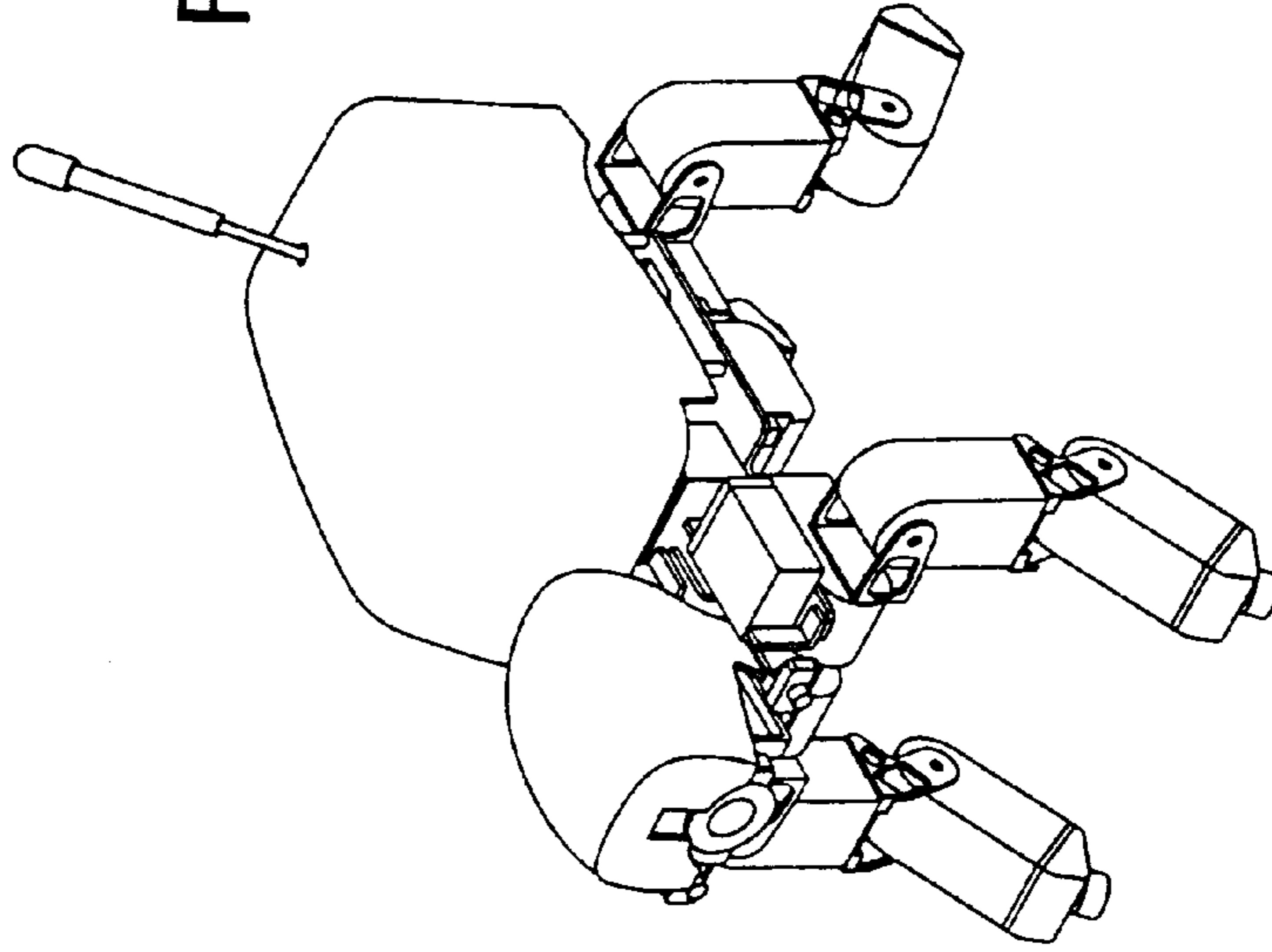
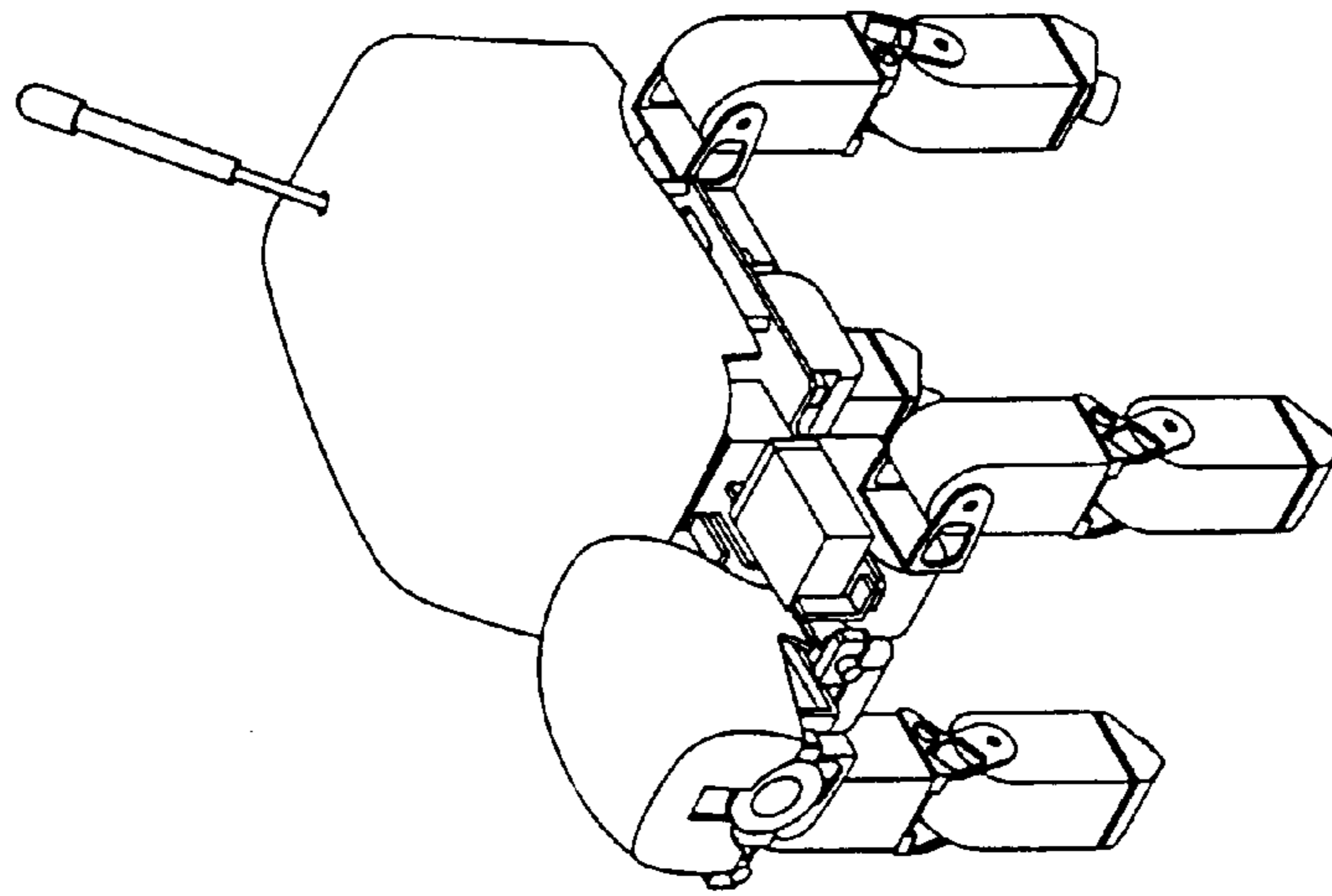


FIG. 1



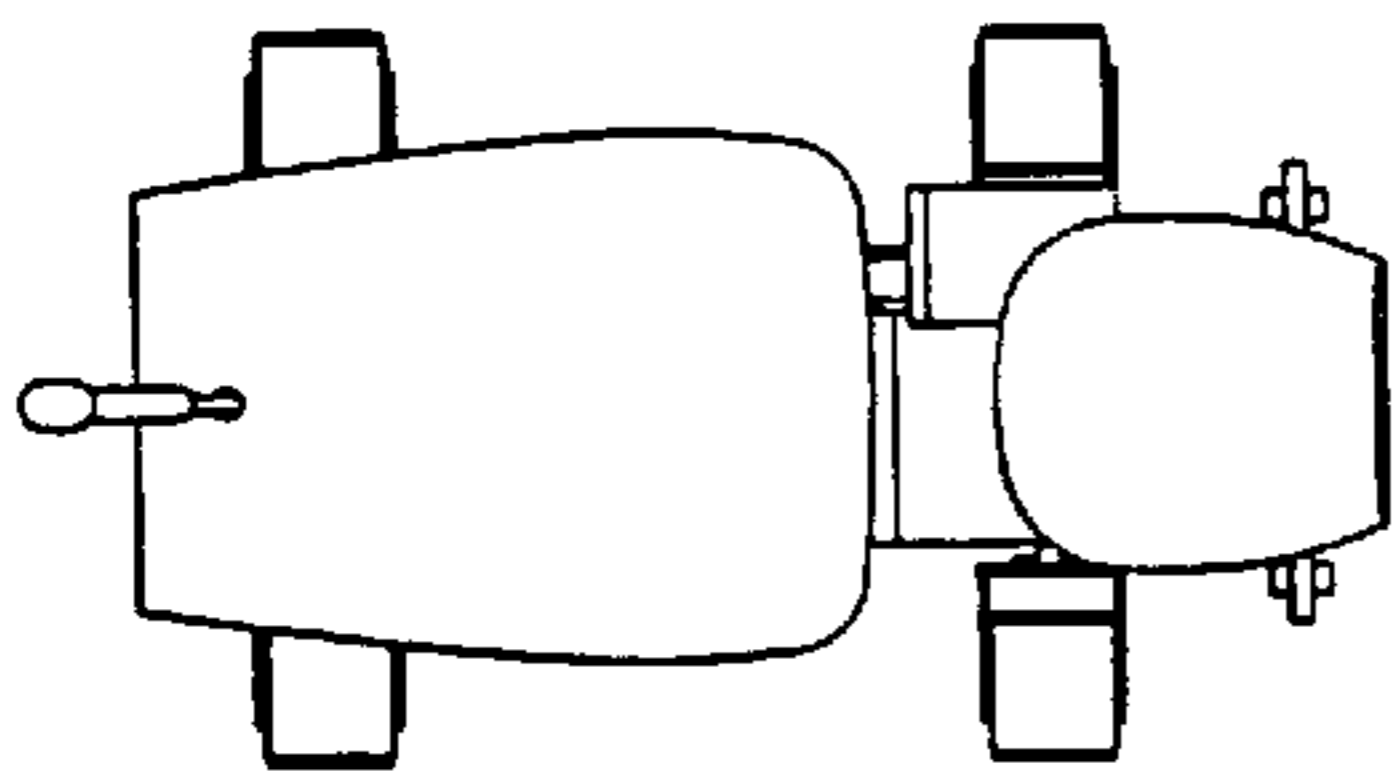


FIG. 3

FIG. 5

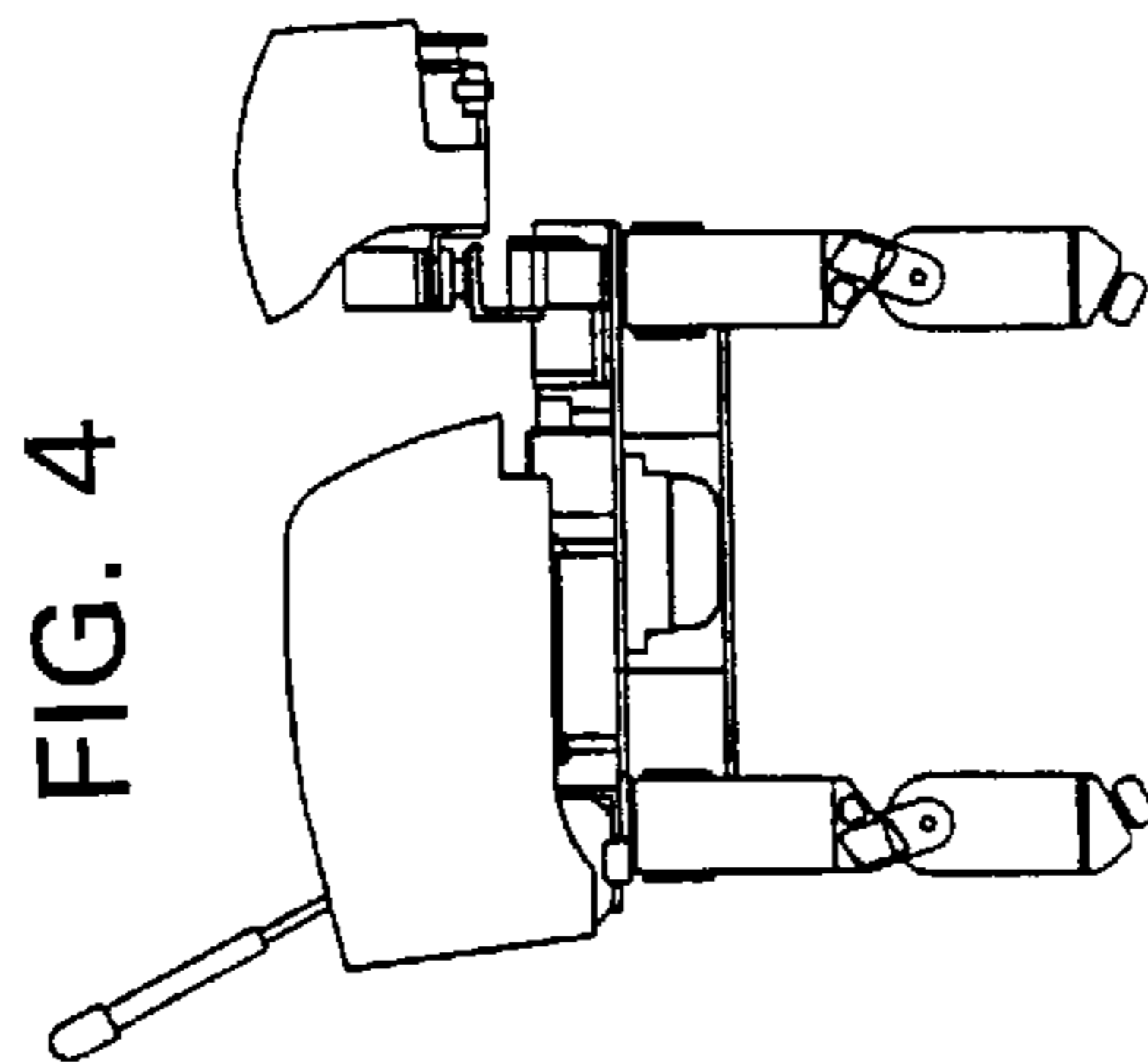
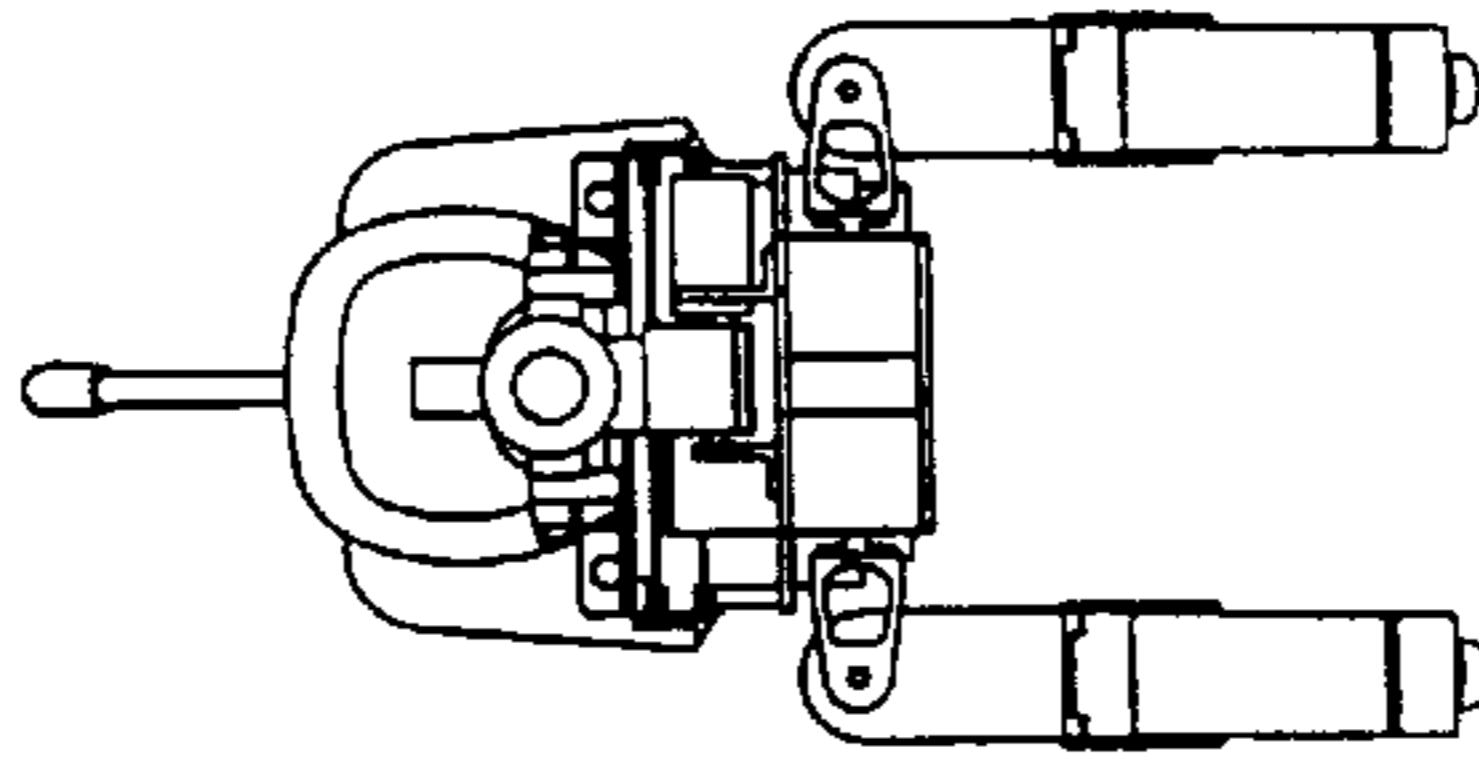


FIG. 4

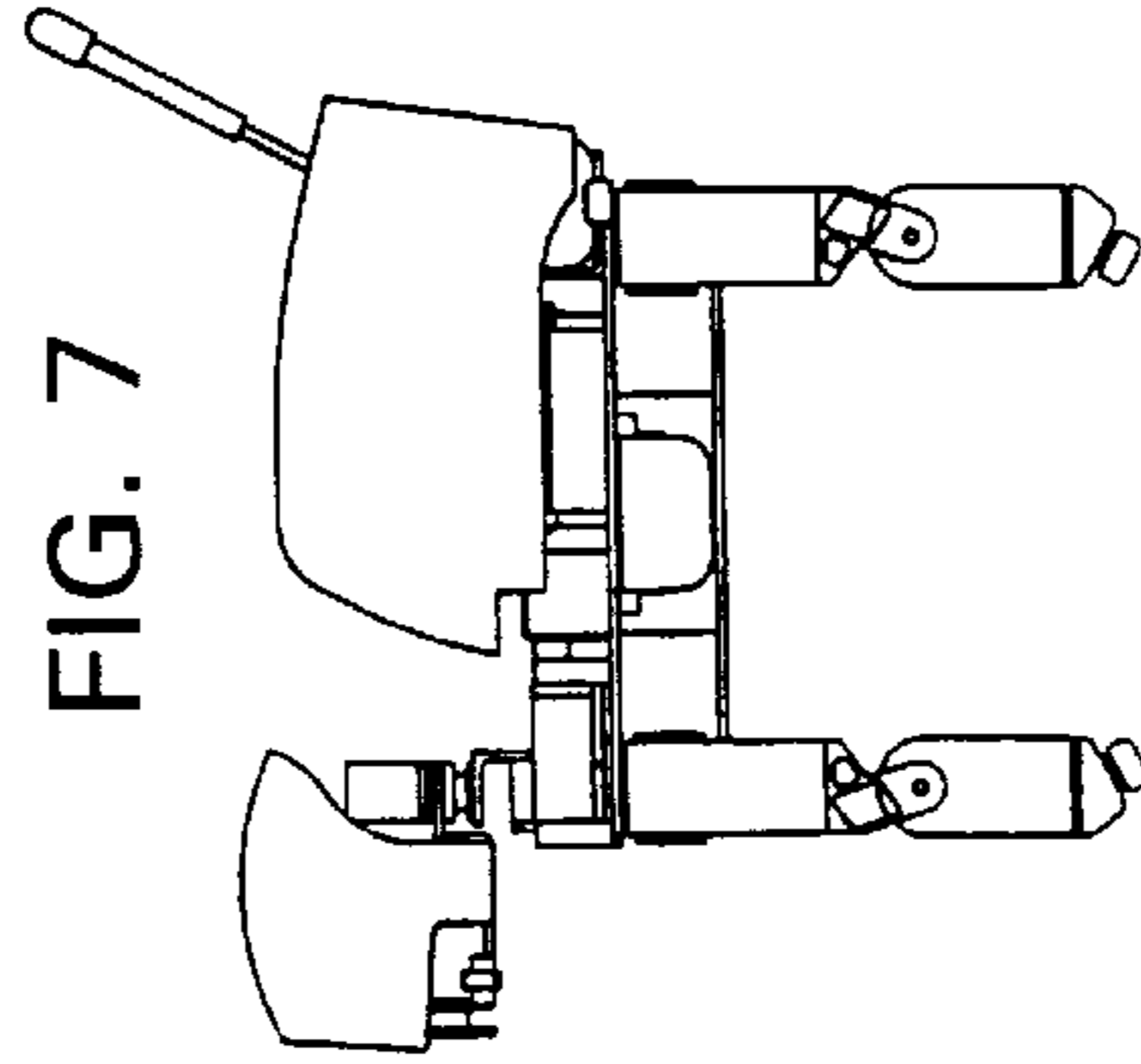


FIG. 7

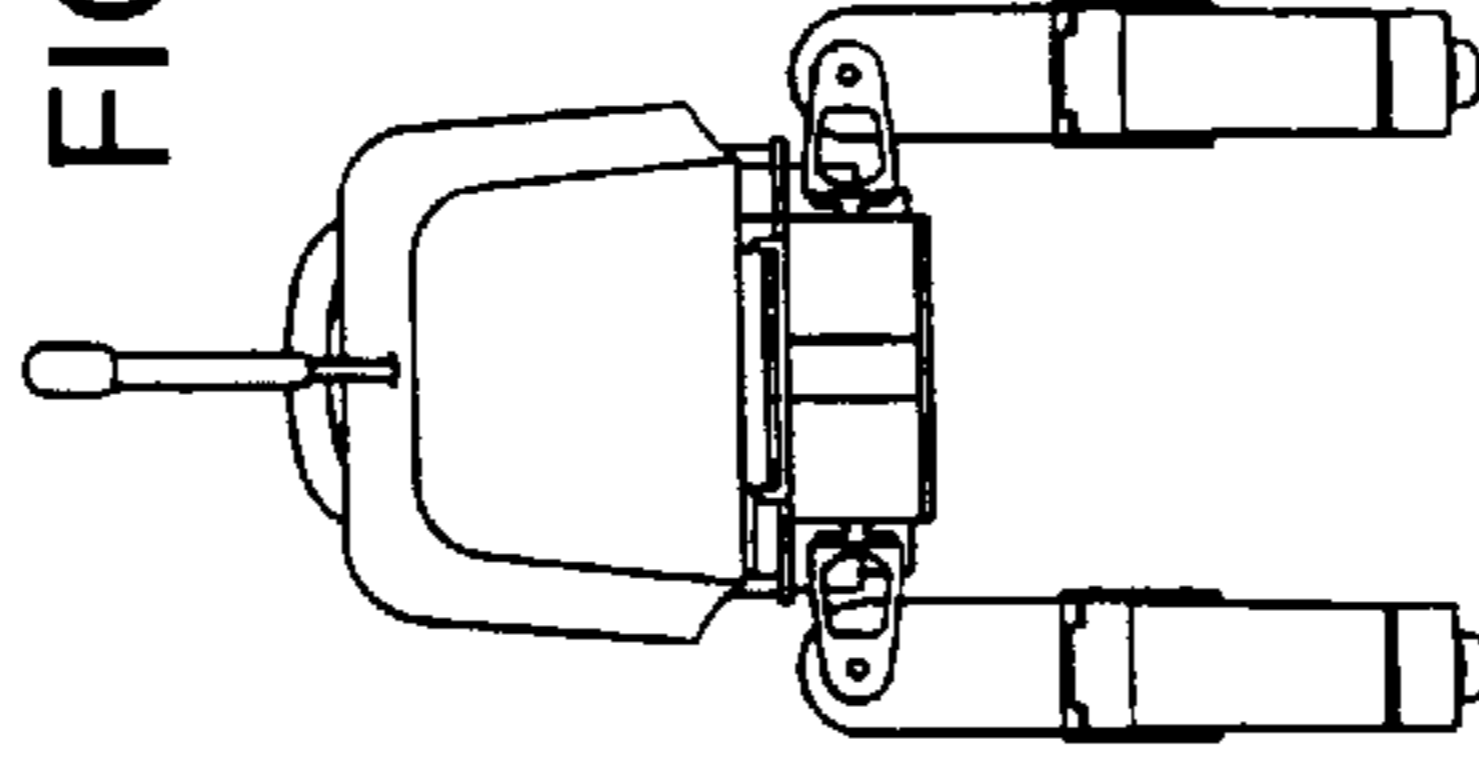
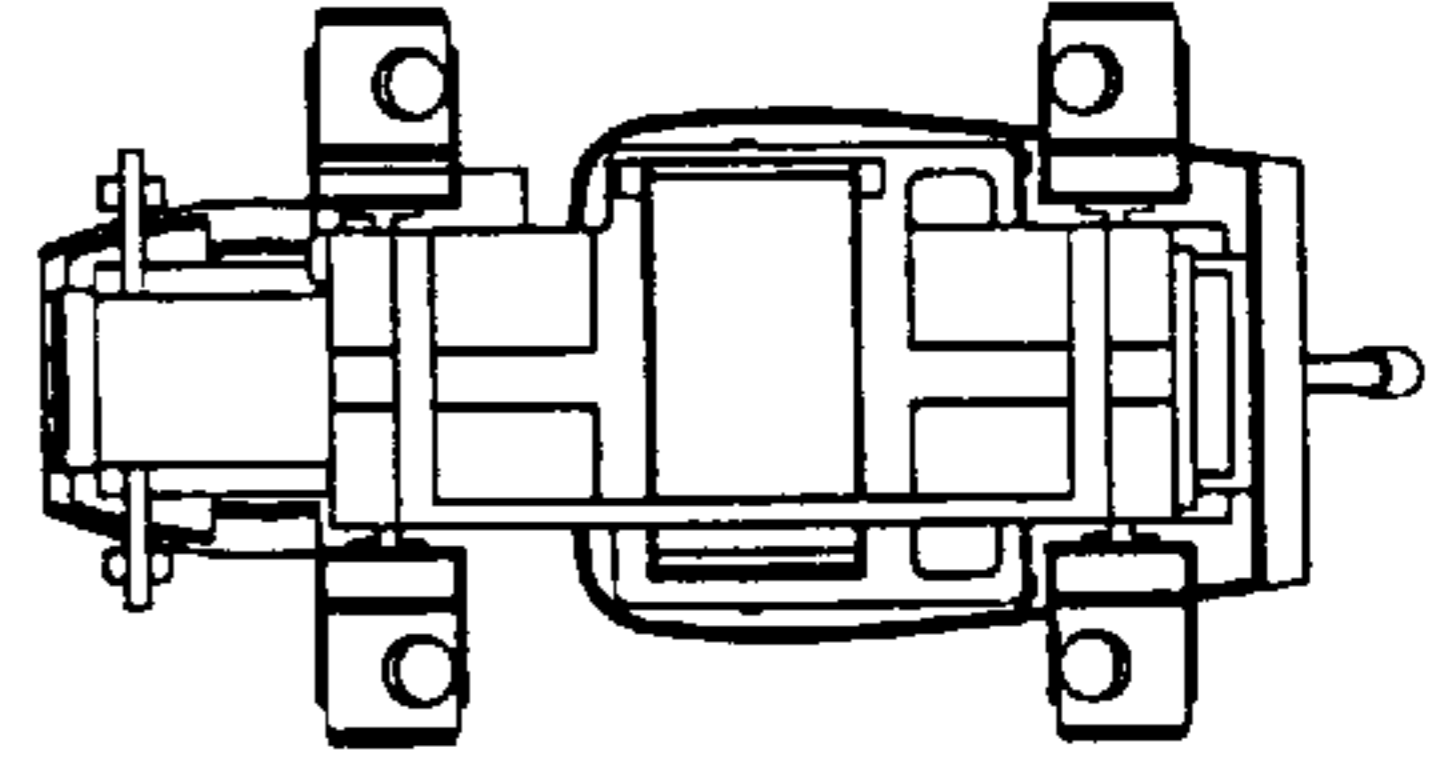
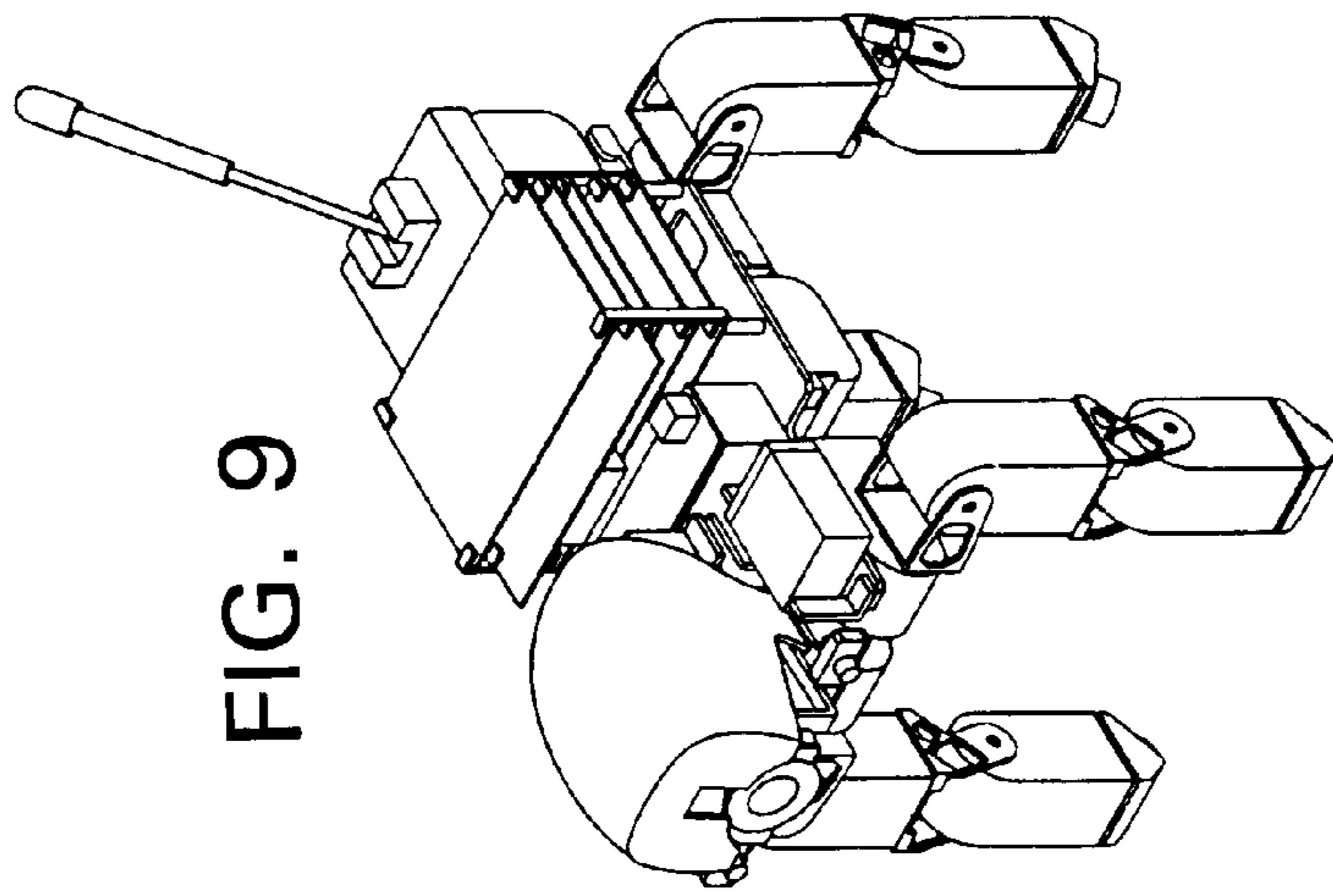
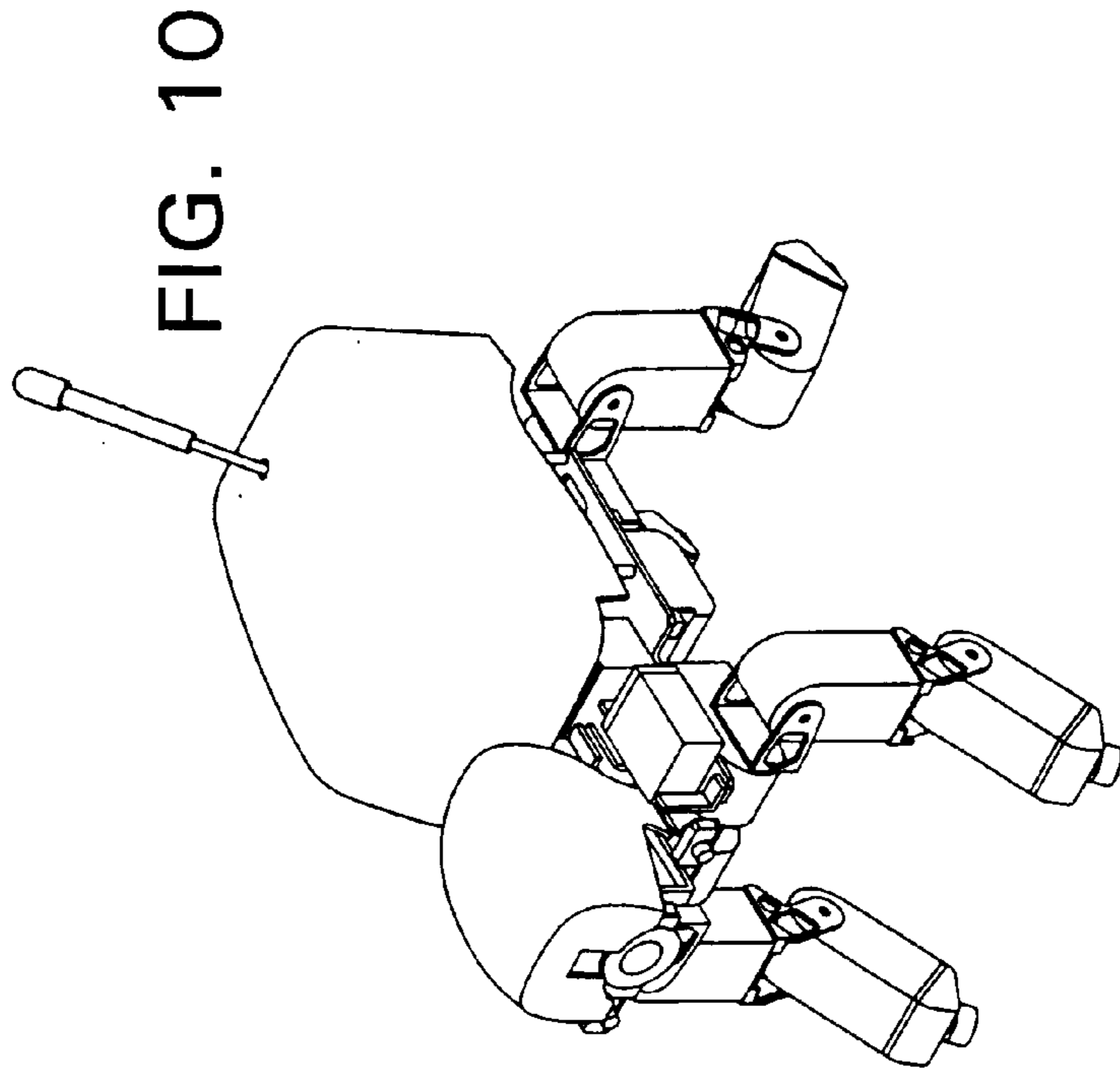


FIG. 8

FIG. 6





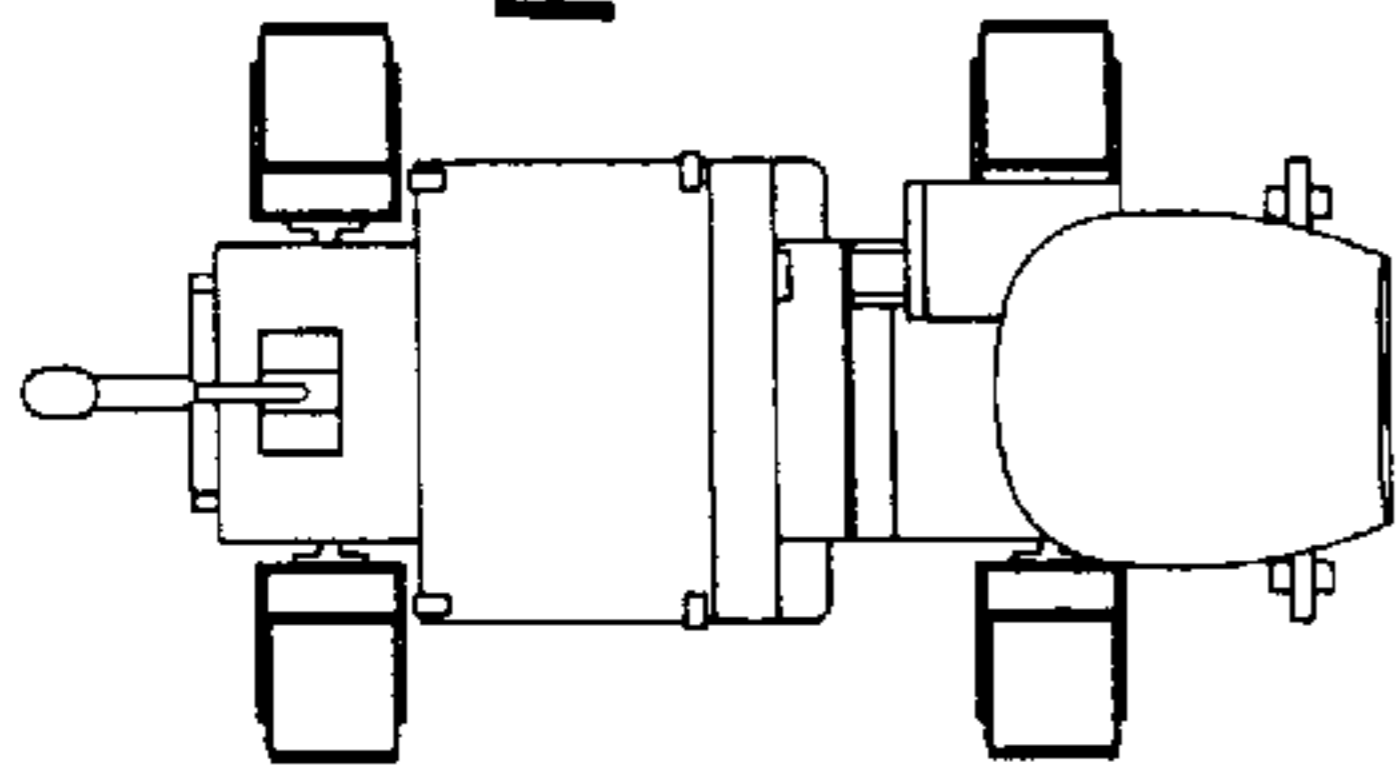


FIG. 11

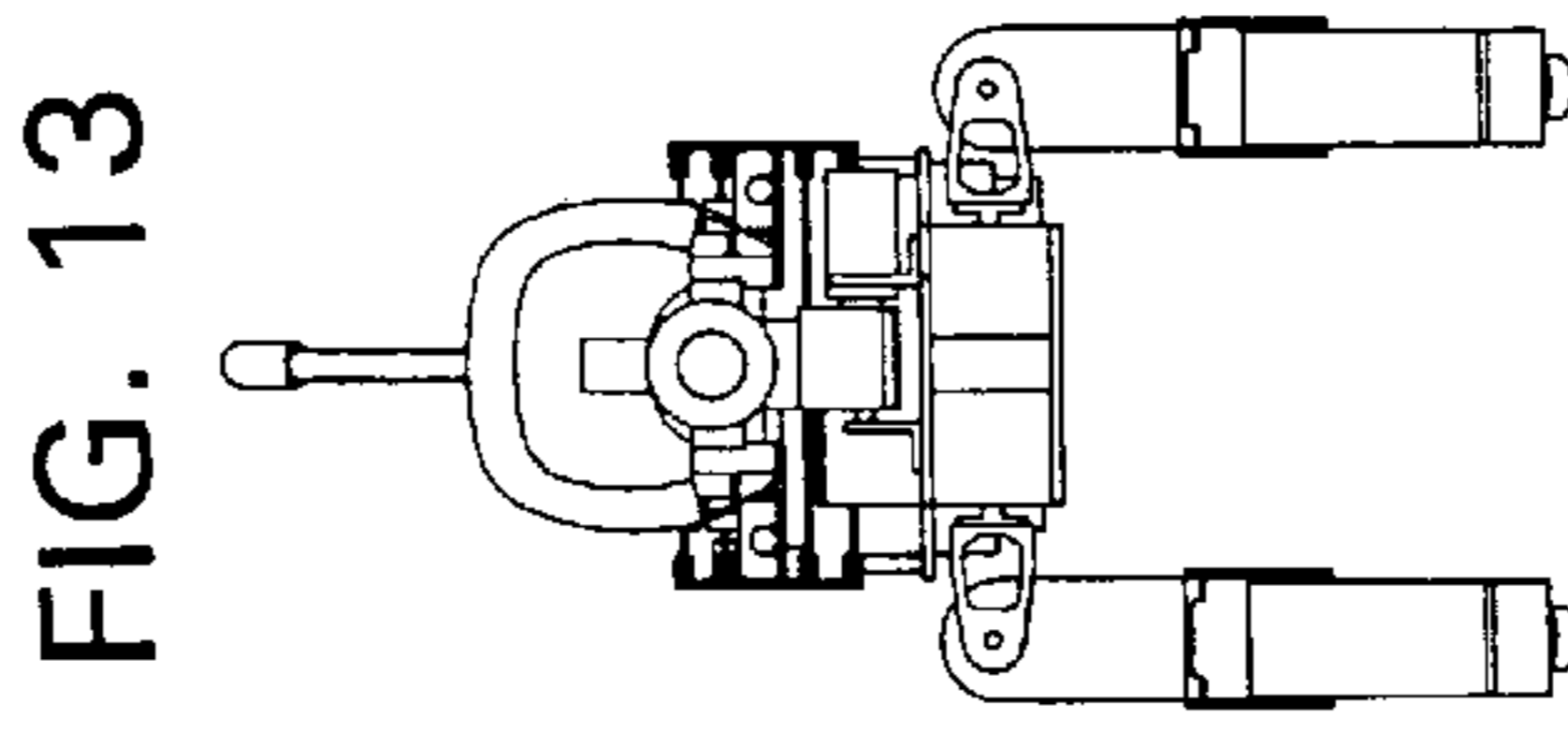


FIG. 13

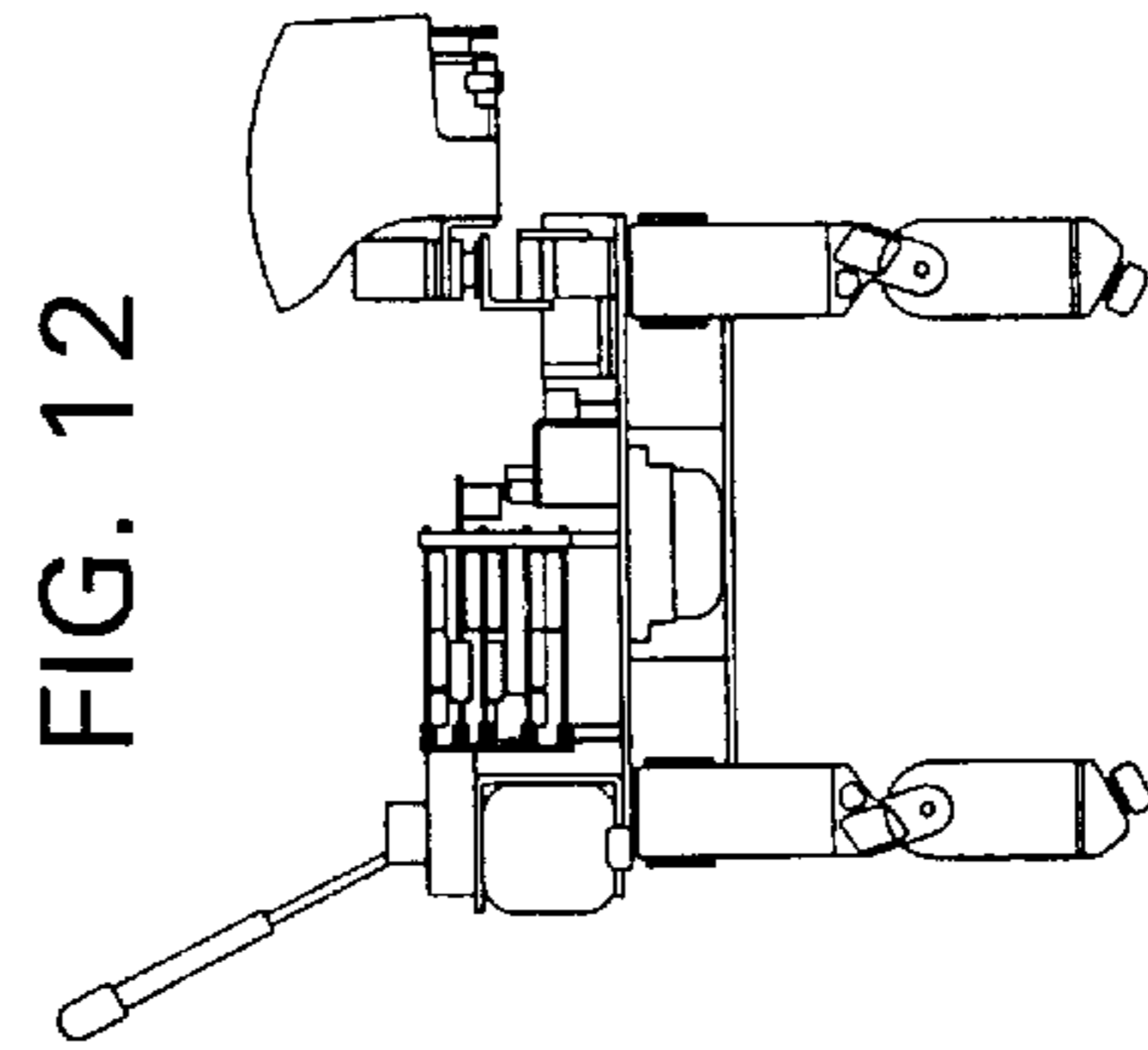


FIG. 12

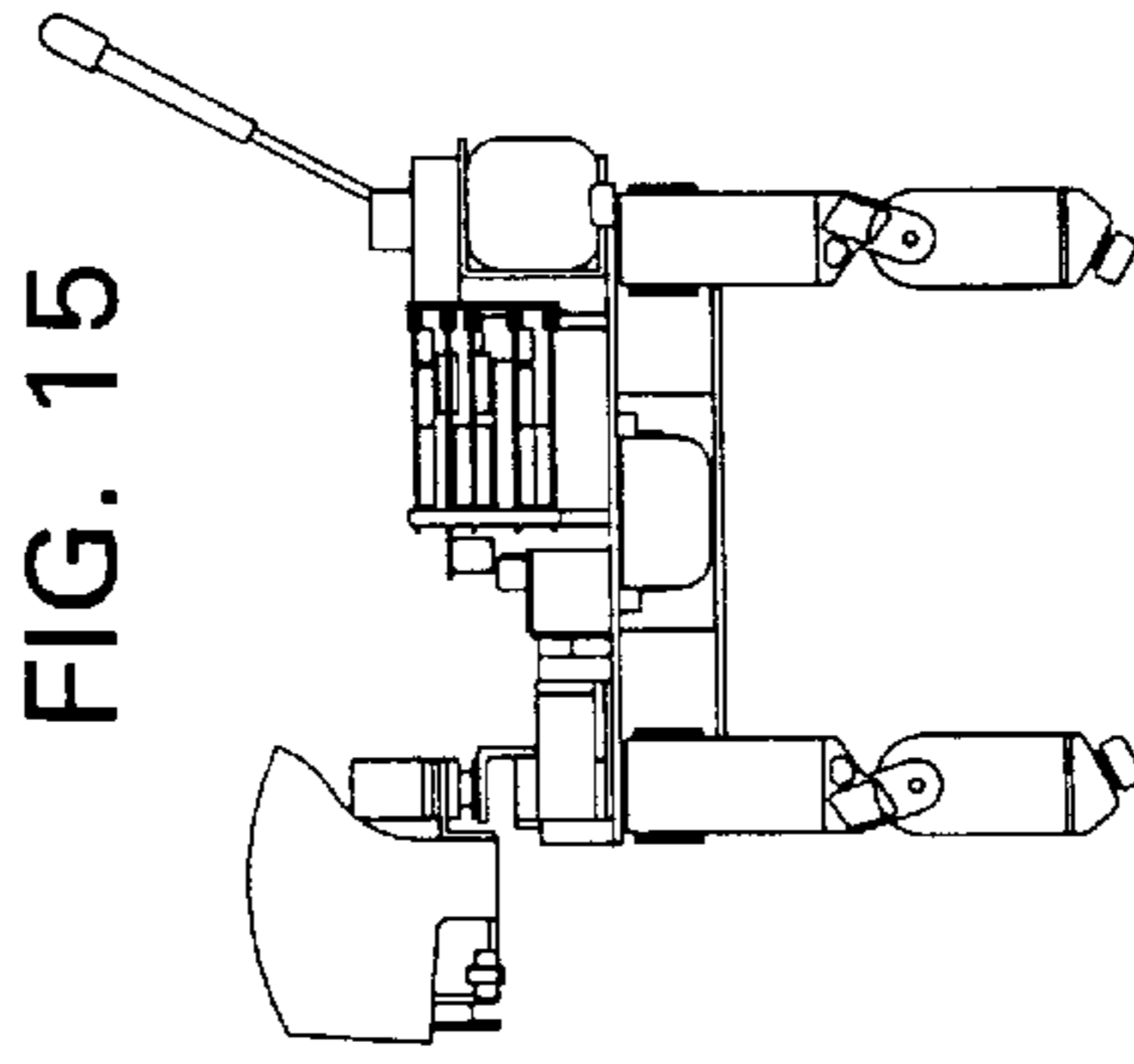


FIG. 15

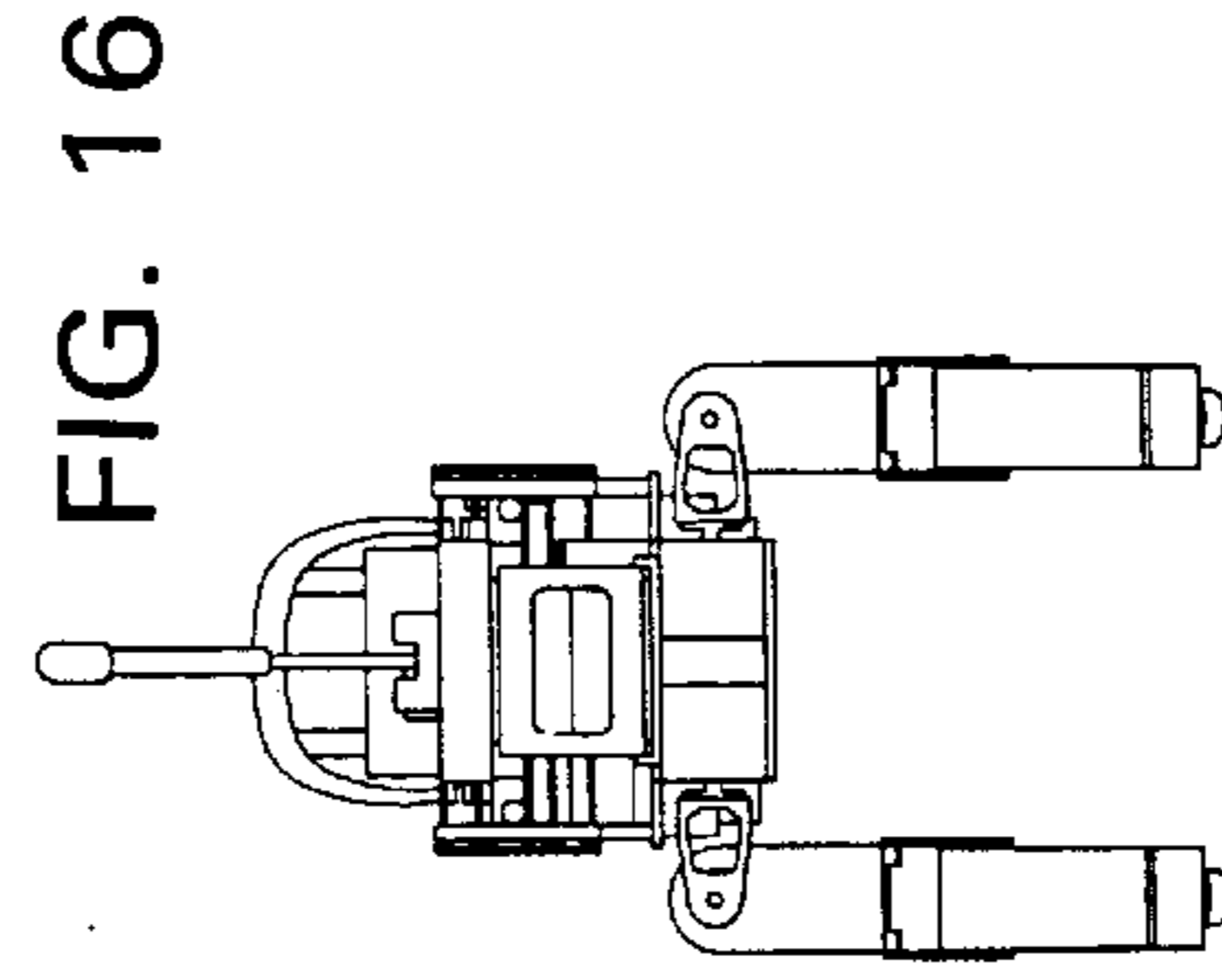


FIG. 16

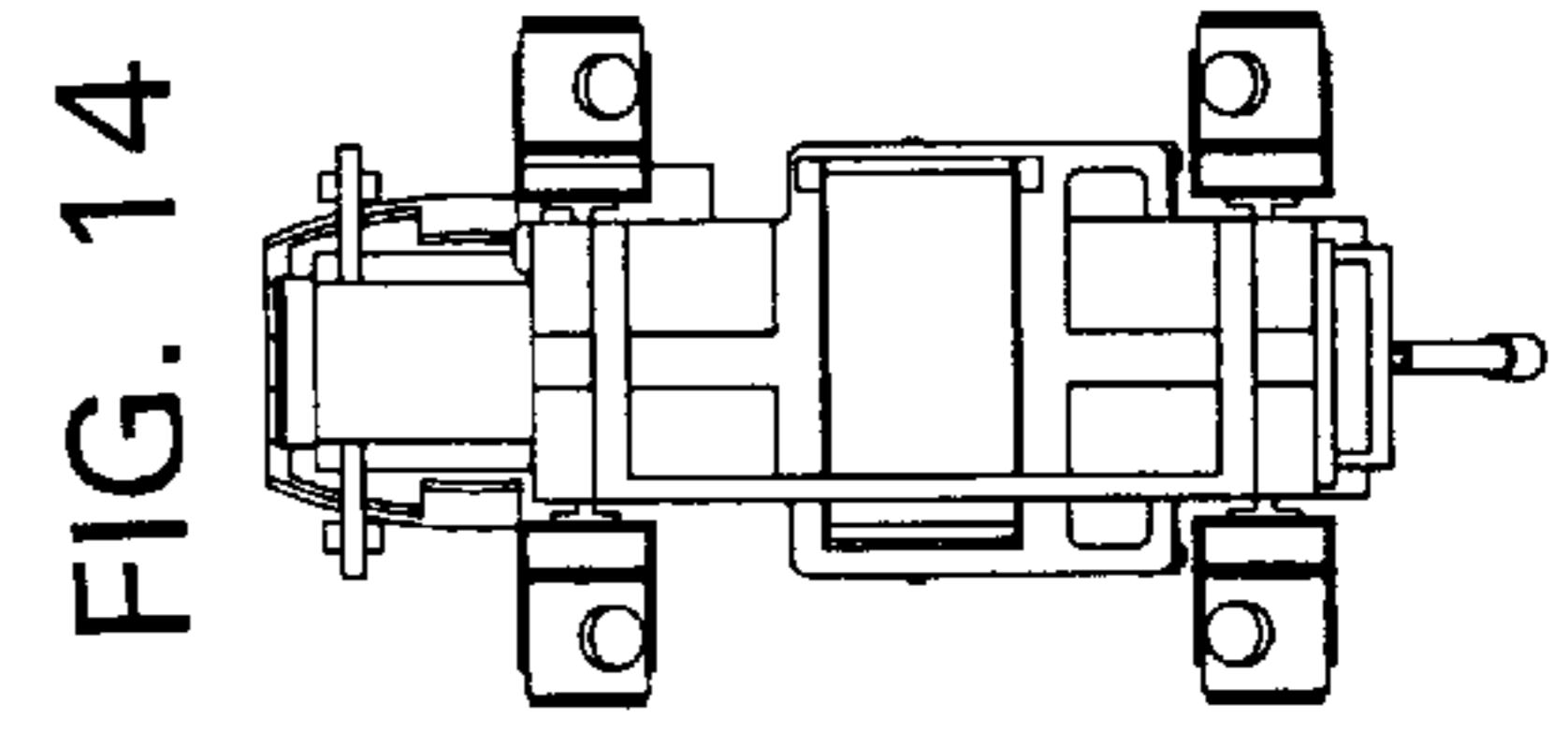


FIG. 14