



US00D418549S

United States Patent [19] Krog

[11] **Patent Number: Des. 418,549**

[45] **Date of Patent: ** Jan. 4, 2000**

[54] **TOY BUILDING ELEMENT**

[75] Inventor: **Ricco Reinholdt Krog**, Vejlen, Denmark

[73] Assignee: **Interlego AG**, Baar, Switzerland

[**] Term: **14 Years**

[21] Appl. No.: **29/093,739**

[22] Filed: **Sep. 17, 1998**

[30] **Foreign Application Priority Data**

Mar. 18, 1998 [DK] Denmark MA 0297 1998

[51] **LOC (7) Cl.** **21-01**

[52] **U.S. Cl.** **D21/497**

[58] **Field of Search** D21/483-505;
D25/113-118; 446/85, 93-96, 102-107,
110-113, 120-122, 124, 128

[56] **References Cited**

U.S. PATENT DOCUMENTS

D. 179,688 2/1957 Kaplan D21/503

D. 226,491 3/1973 Hancovsky D21/503
D. 254,450 3/1980 Pulse D21/502
D. 312,104 11/1990 Andersen D21/497
5,282,767 2/1994 Gelardi 446/121
5,518,434 5/1996 Ziegler 446/106

Primary Examiner—Raphael Barkai
Attorney, Agent, or Firm—Kane, Dalsimer, Sullivan,
Kurucz, Levy, Eisele and Richard, LLP

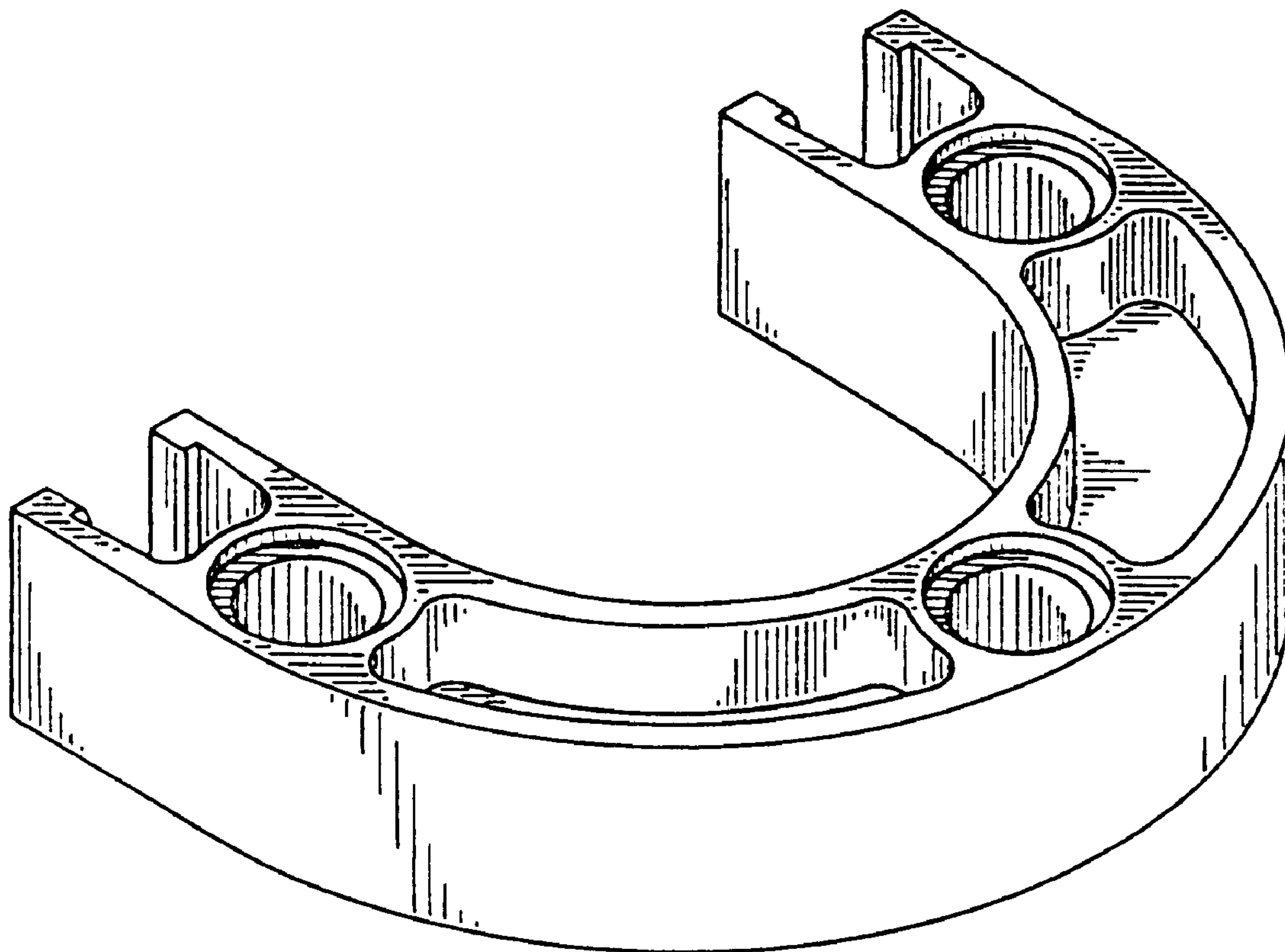
[57] **CLAIM**

The ornamental design for a toy building element, as shown and described.

DESCRIPTION

FIG. 1 is a top perspective view of the toy building element, FIG. 2 is a top plan view thereof, FIG. 3 is a front elevational view thereof, FIG. 4 is a bottom plan view thereof, FIG. 5 is a right side elevational view thereof, FIG. 6 is a left side elevational view thereof, FIG. 7 is a rear elevational view thereof; and, FIG. 8 is a bottom perspective view thereof.

1 Claim, 2 Drawing Sheets



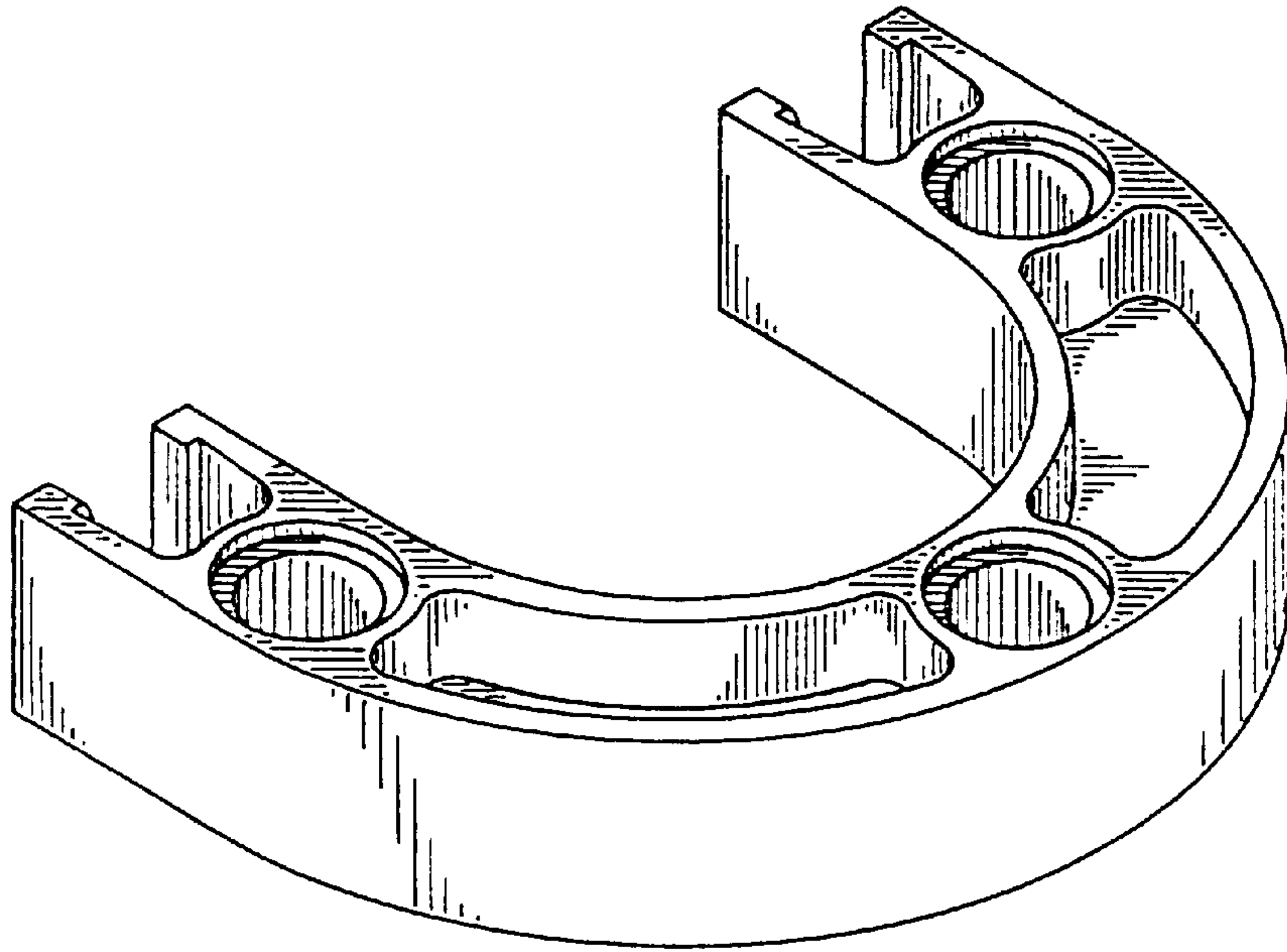


FIG. 8

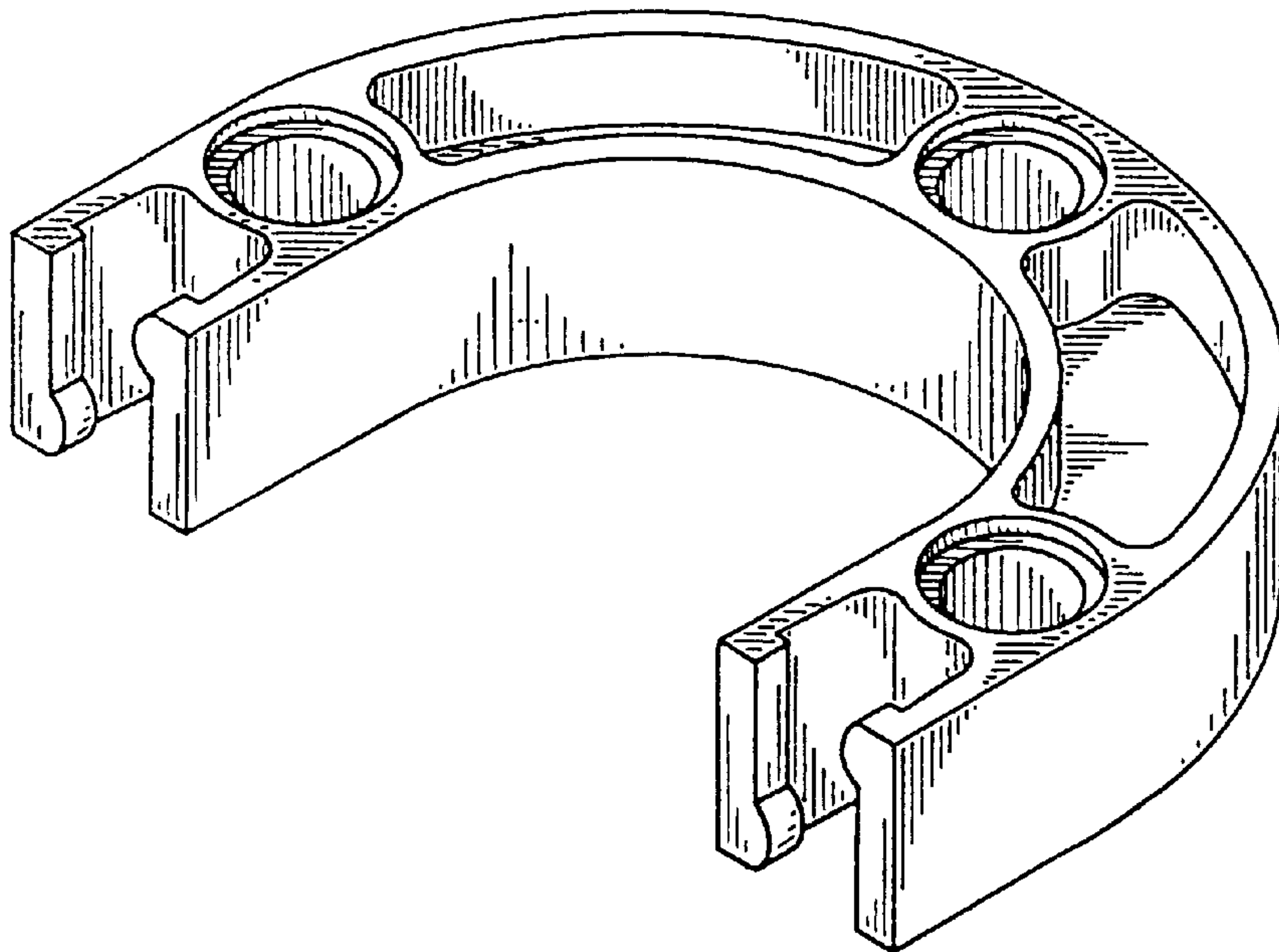


FIG. 1

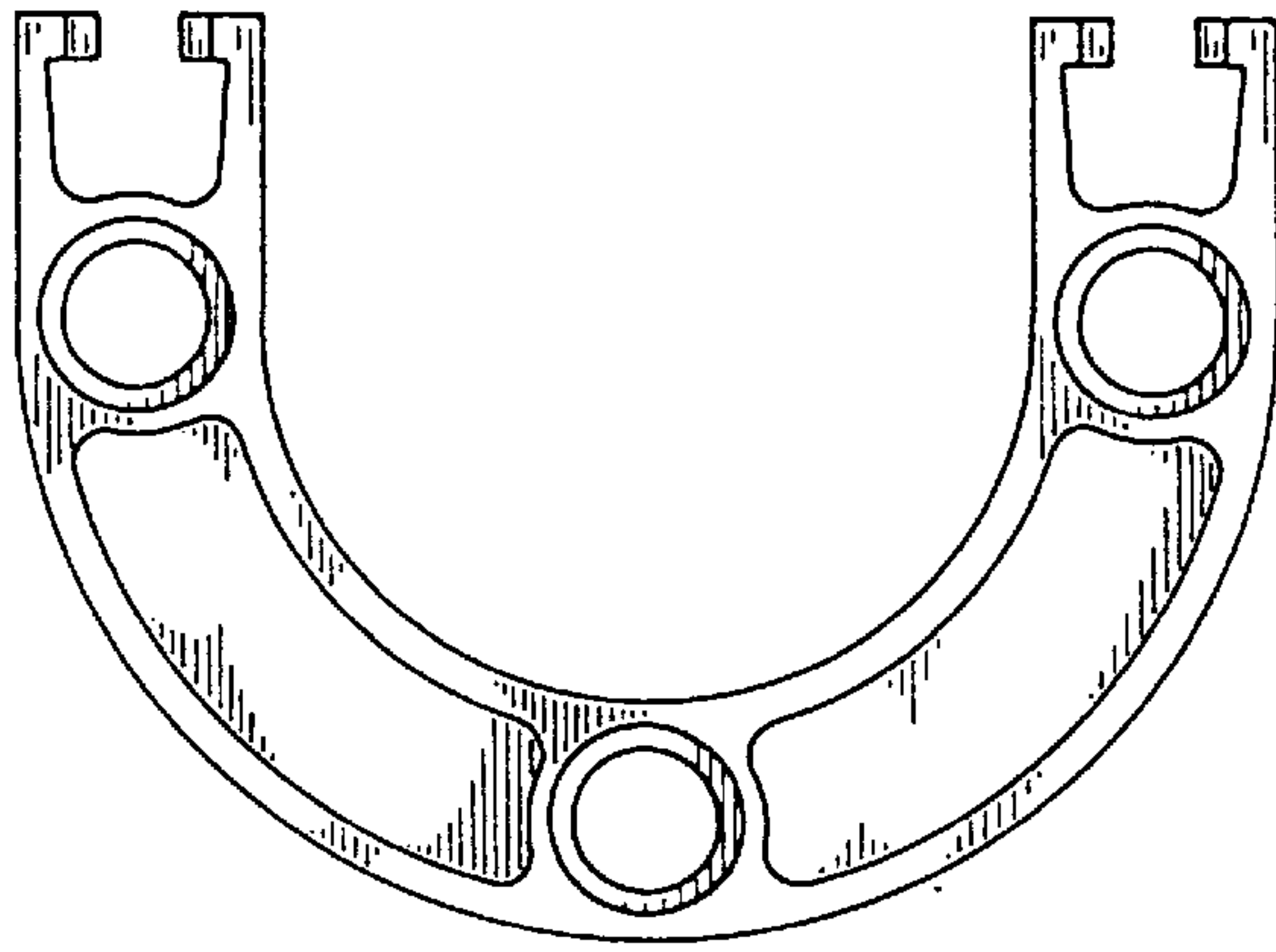


FIG. 4

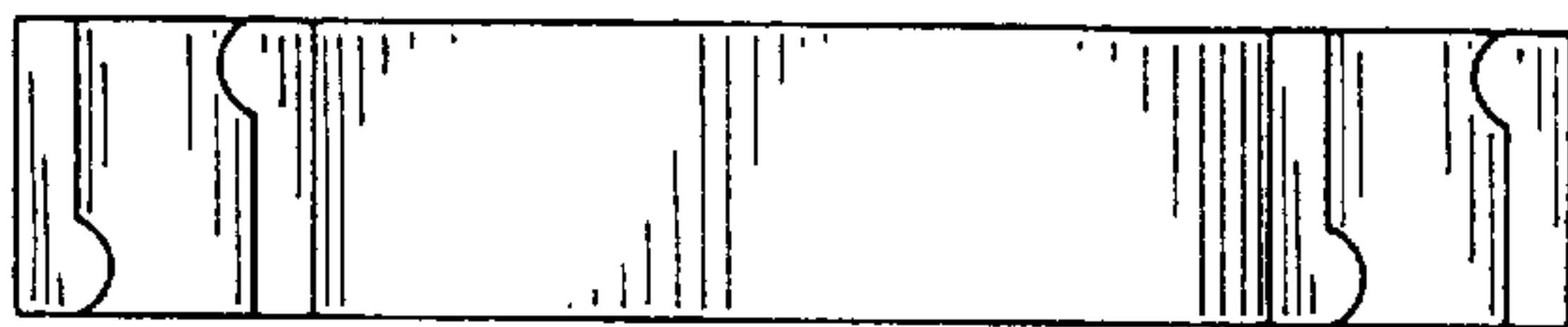


FIG. 3

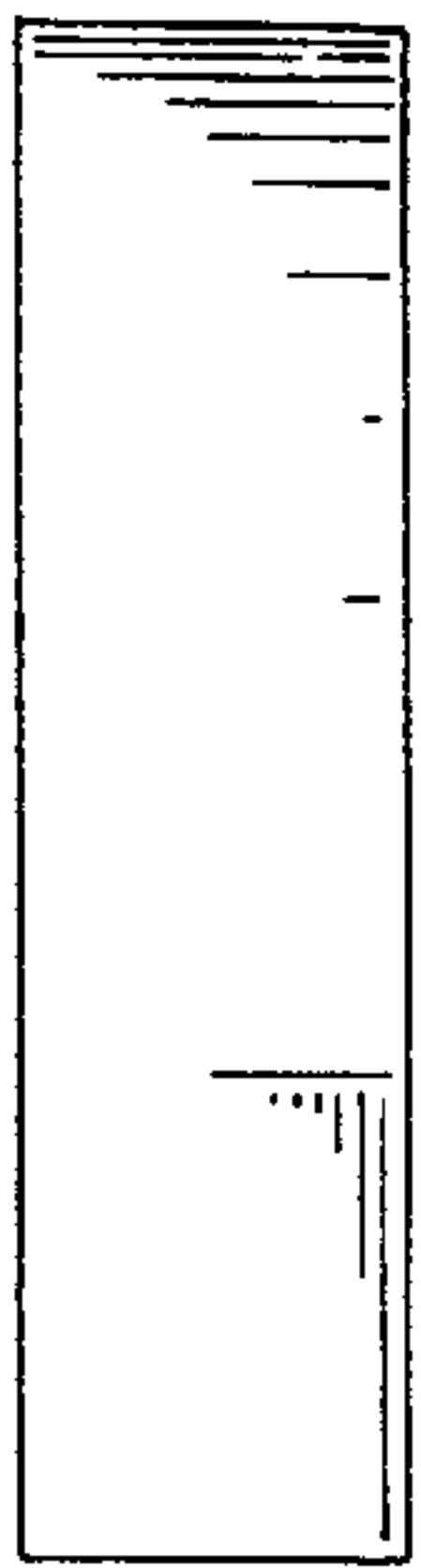


FIG. 6

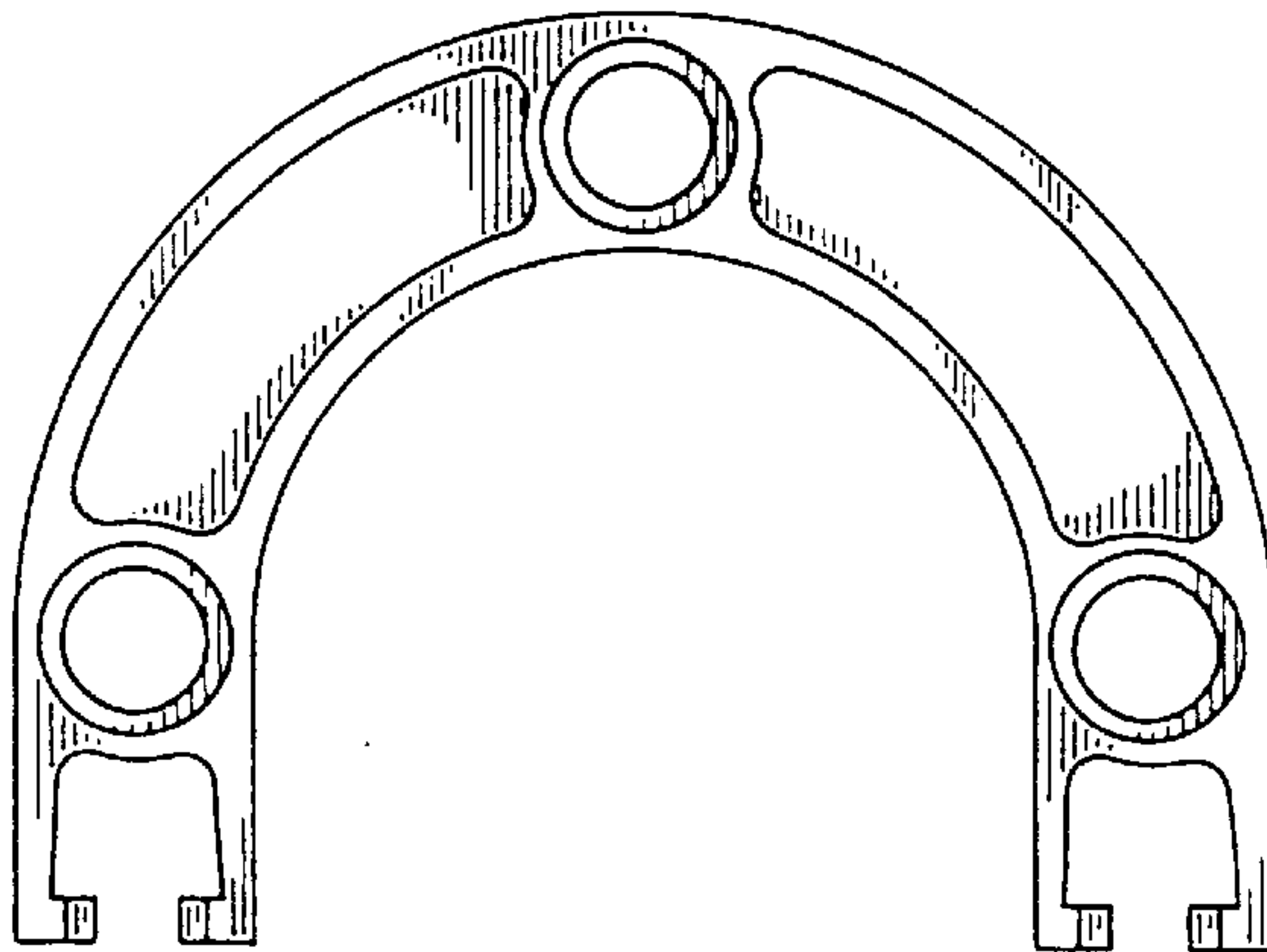


FIG. 2

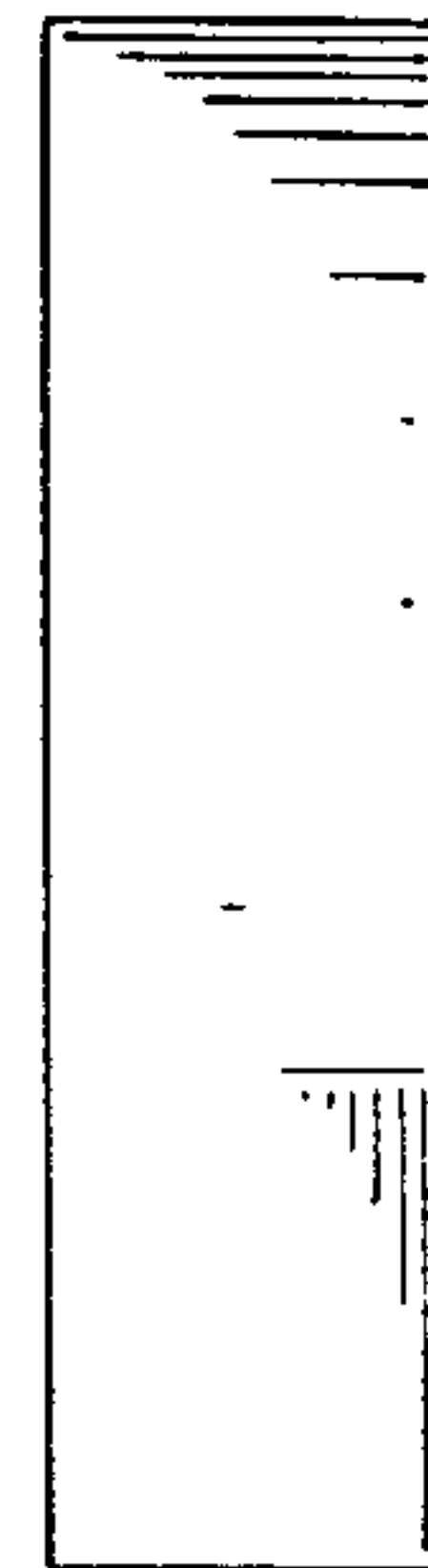


FIG. 5

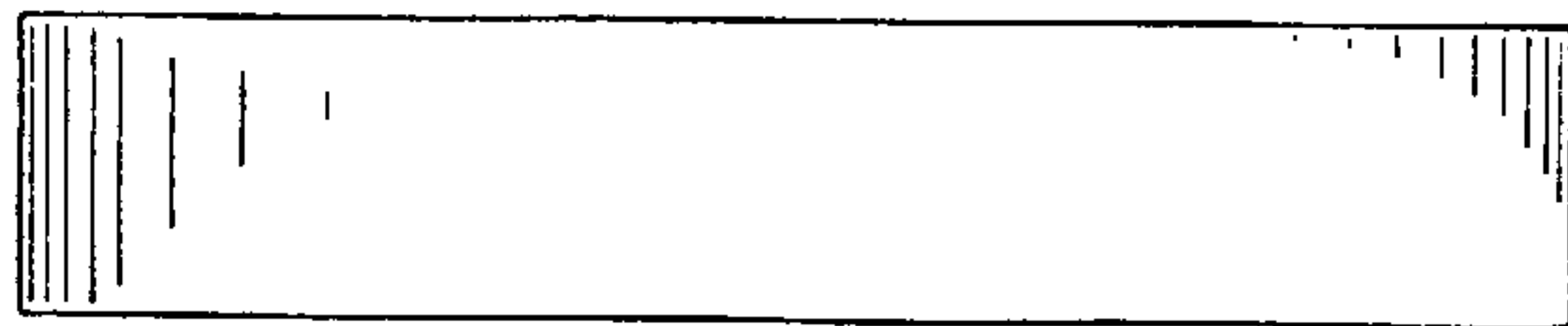


FIG. 7