



US00D418548S

United States Patent [19] Papke

[11] **Patent Number: Des. 418,548**

[45] **Date of Patent: ** Jan. 4, 2000**

[54] **LIGHTNING BUG FLASHLIGHT TOY**

[76] Inventor: **William C. Papke**, 1811 Midway Dr.,
Rockford, Ill. 61103

[**] Term: **14 Years**

[21] Appl. No.: **29/092,995**

[22] Filed: **Aug. 31, 1998**

[51] **LOC (7) Cl. 21-01**

[52] **U.S. Cl. D21/483**

[58] **Field of Search** D21/483; D30/108,
D30/109, 114; D22/122; 446/479, 481,
482, 485

[56] **References Cited**

U.S. PATENT DOCUMENTS

D. 264,887 6/1982 Tweed D30/112
D. 317,518 6/1991 Kohus D30/109

D. 339,841 9/1993 Gelinas D22/122
D. 366,678 1/1996 Cimock D21/483
D. 379,209 5/1997 Coddington, Jr. D30/108

Primary Examiner—Raphael Barkai
Attorney, Agent, or Firm—Keith Frantz

[57] **CLAIM**

The ornamental design for a lightning bug flashlight toy, as shown and described.

DESCRIPTION

FIG. 1 is a front perspective view showing my new design.
FIG. 2 is a rear perspective view thereof.
FIG. 3 is a front elevation view thereof, the rear view being identical.
FIG. 4 is a top plan view thereof; and,
FIG. 5 is a bottom plan view thereof.

1 Claim, 2 Drawing Sheets

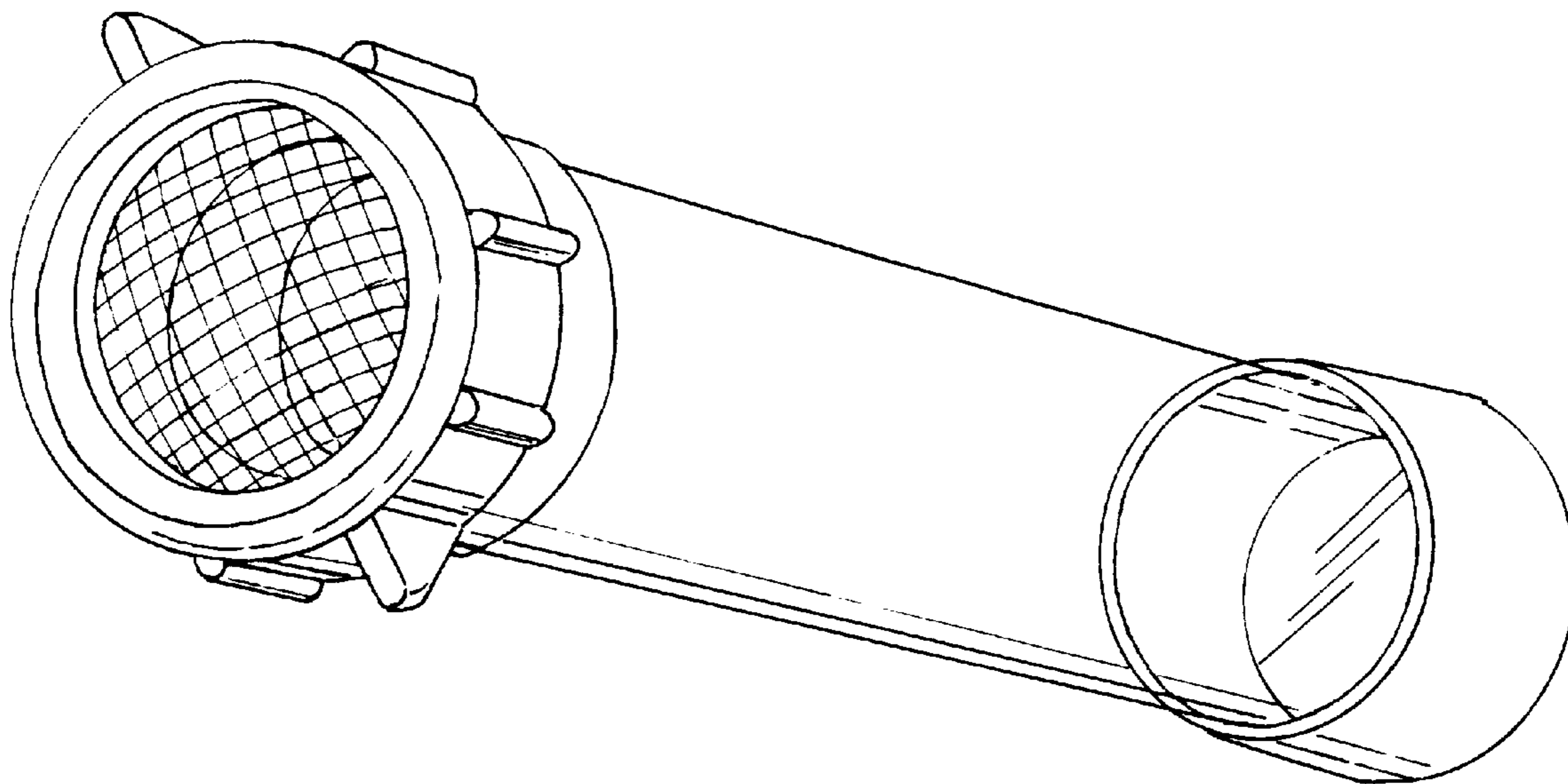


FIG. 1

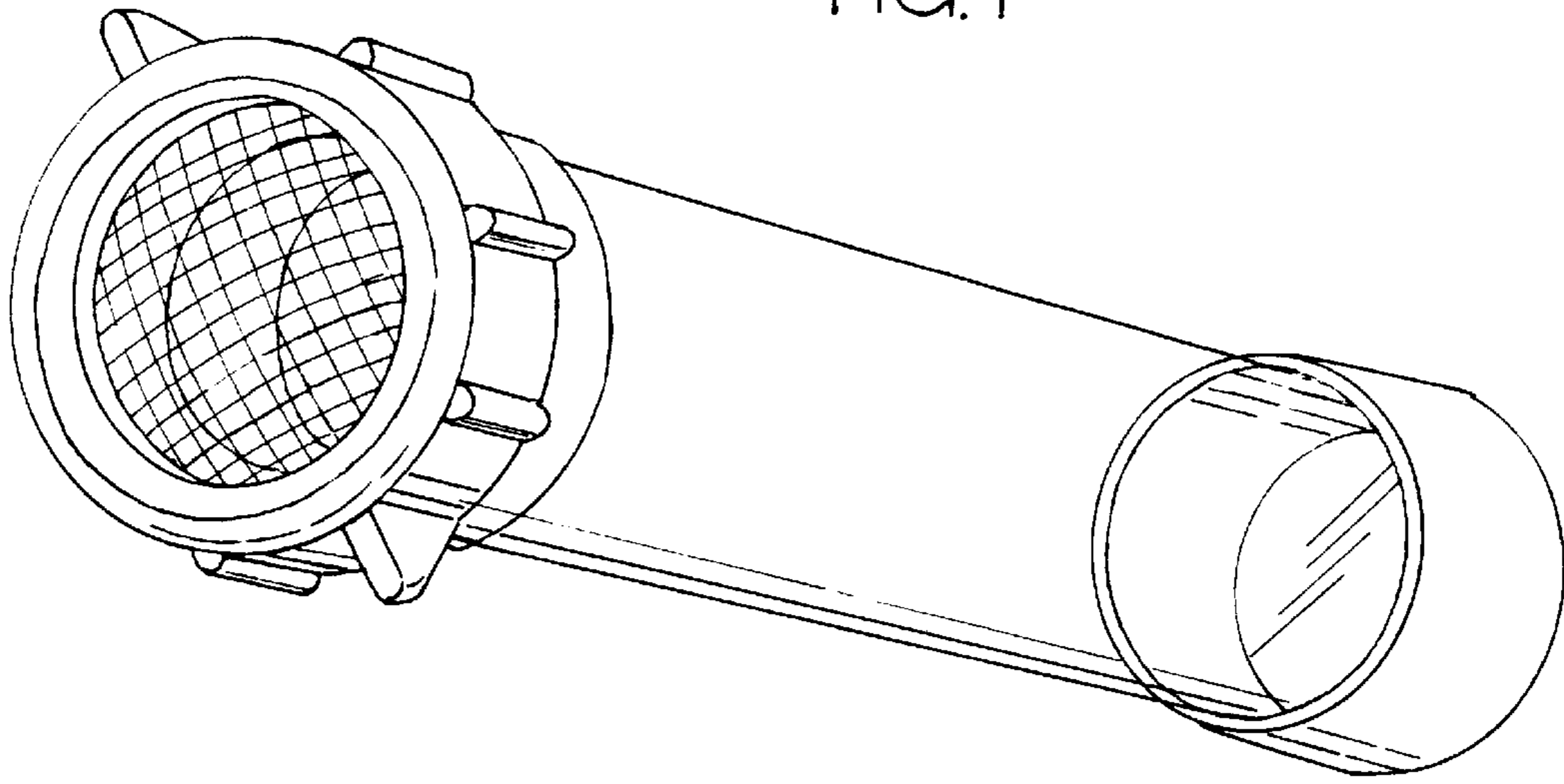


FIG. 2

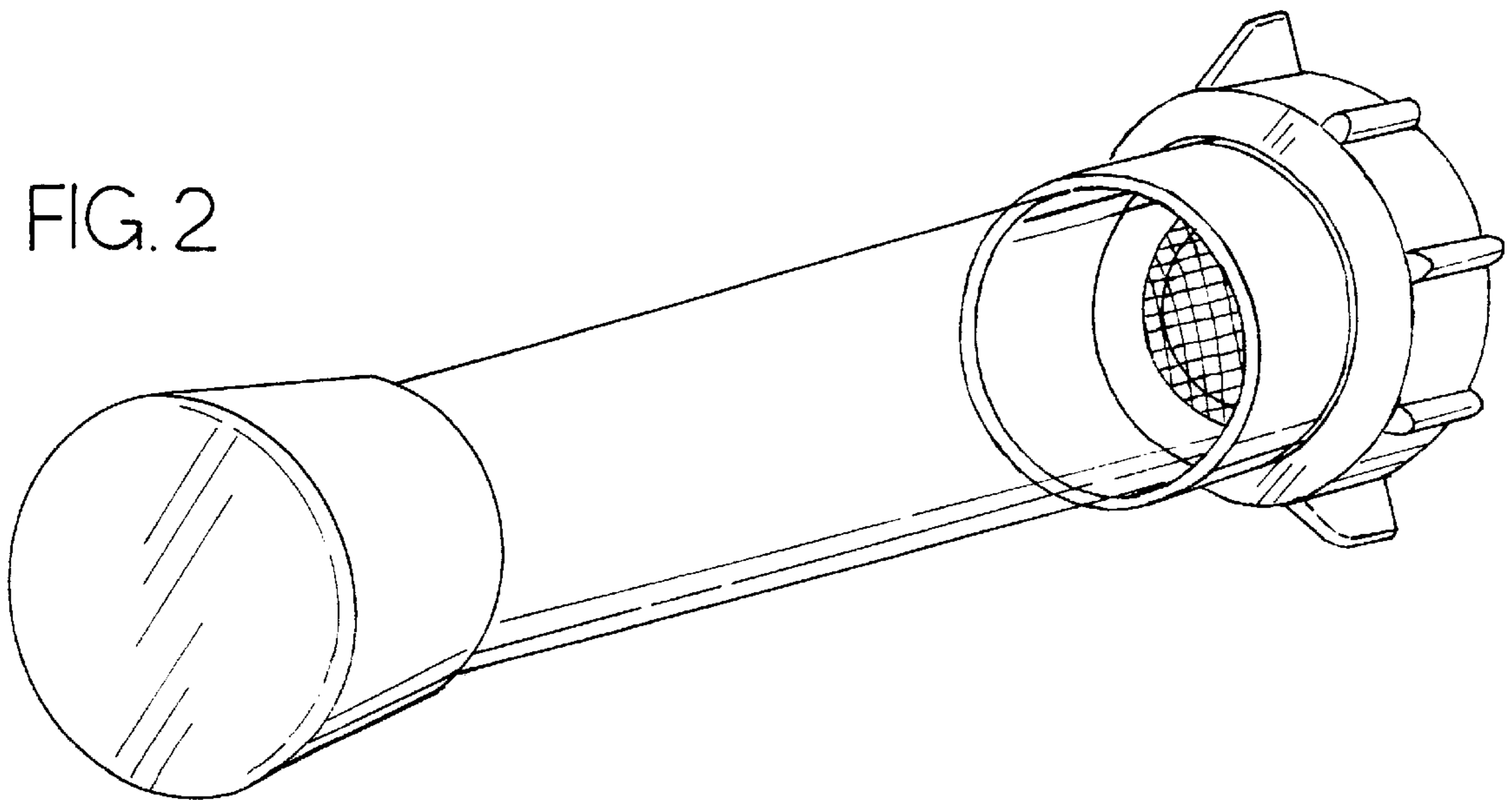


FIG. 3

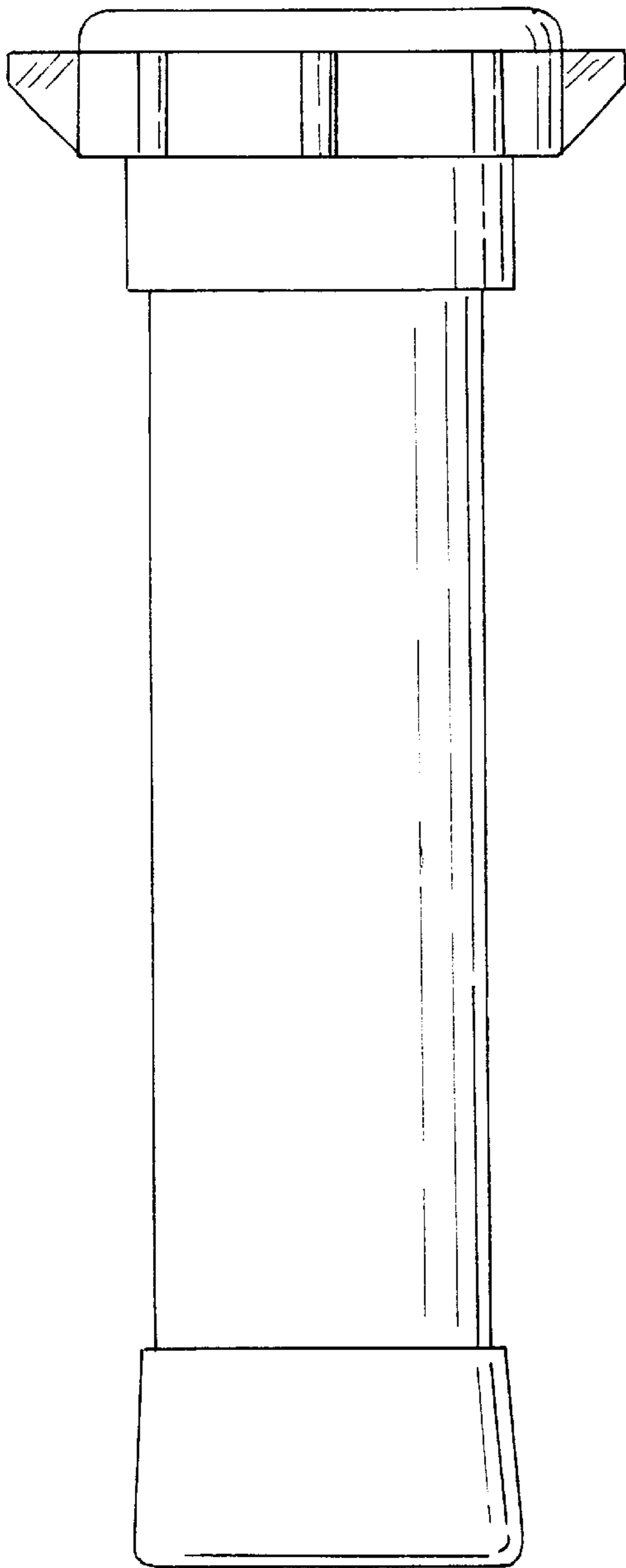


FIG. 4

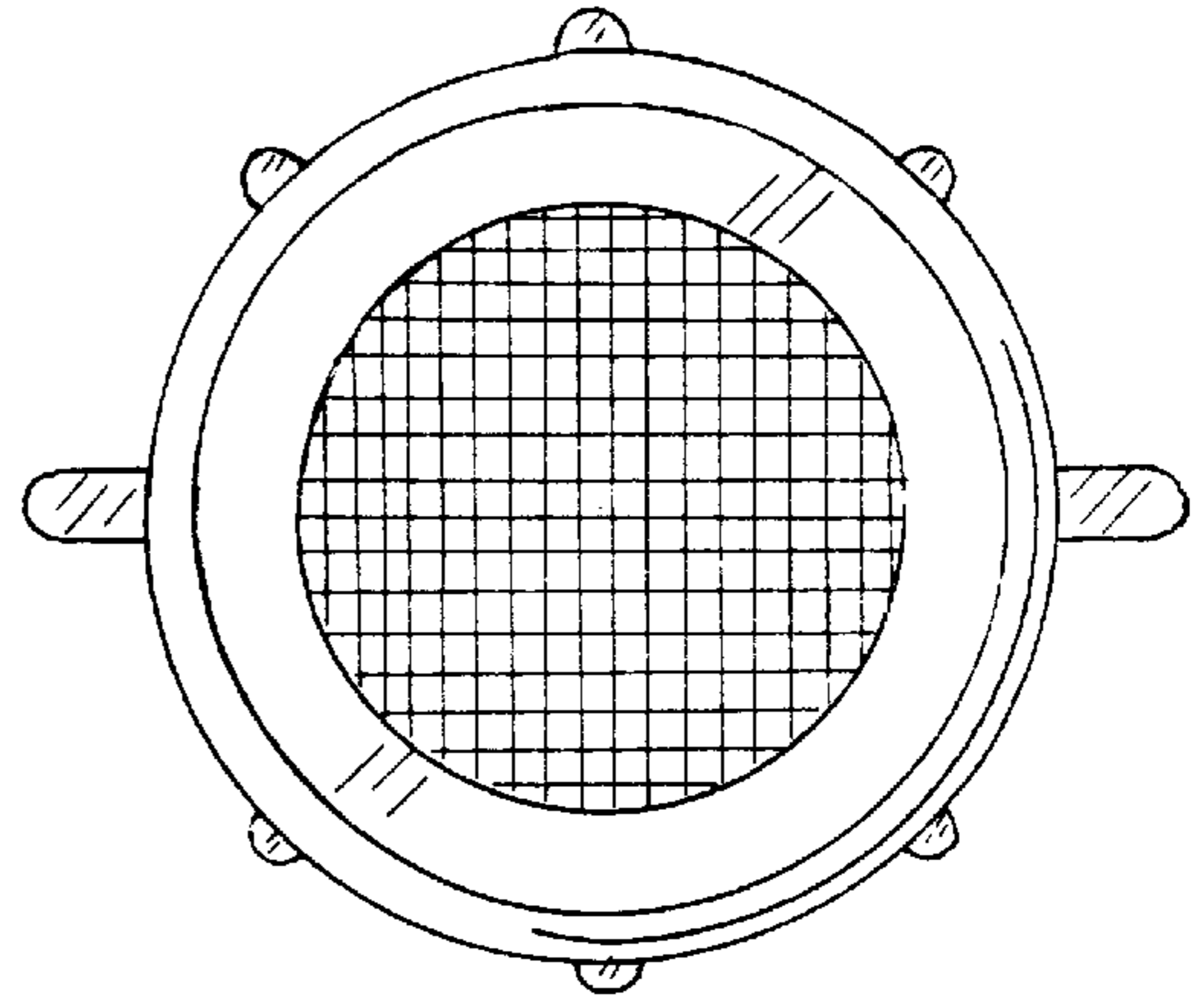


FIG. 5

