



US00D418546S

# United States Patent [19]

Jones, Jr. et al.

[11] Patent Number: Des. 418,546

[45] Date of Patent: \*\* Jan. 4, 2000

[54] CHILDREN'S RIDE-ON VEHICLE

[75] Inventors: John L. Jones, Jr., East Aurora, N.Y.; Adam W. Callif, Holland, Mich.

[73] Assignee: Mattel, Inc., El Segundo, Calif.

[\*\*] Term: 14 Years

[21] Appl. No.: 29/082,836

[22] Filed: Jan. 28, 1998

[51] LOC (7) Cl. .... 21-01

[52] U.S. Cl. .... D21/424; D21/433

[58] Field of Search ..... D21/419-435, D21/533-536, 548-551, 561-563; D12/1, 85; 446/465, 468, 470, 456; 280/828, 87.01, 87.021

[56] References Cited

U.S. PATENT DOCUMENTS

D. 200,789	4/1965	Davey	280/87.021
D. 215,861	11/1969	Cook	D21/426
D. 227,494	6/1973	Campbell	D21/424
D. 234,923	4/1975	Hepp et al.	D21/435
D. 282,187	1/1986	Cunard et al.	D21/424
D. 368,743	4/1996	Amburgey et al.	D21/433
2,330,958	10/1943	Danforth	
3,078,619	2/1963	Brown	446/465

3,154,162	10/1964	McCaleb et al.	
3,481,417	12/1969	Jarret et al.	
3,616,869	11/1971	Rilling	
3,763,945	10/1973	Danielson	
3,842,928	10/1974	Kishi	
3,870,334	3/1975	Cole	280/87.01
4,516,648	5/1985	Berger et al.	
4,541,051	9/1985	Jarret et al.	
4,655,724	4/1987	Law	
4,913,253	4/1990	Bowling	

Primary Examiner—Raphael Barkai  
Attorney, Agent, or Firm—Kolisch, Hartwell, Dickinson, McCormack & Heuser

[57] CLAIM

The ornamental design for a children's ride-on vehicle, as shown and described.

DESCRIPTION

FIG. 1 is a front view thereof;  
FIG. 2 is a top view thereof, the bottom side being unornamented;  
FIG. 3 is a left-side view thereof, the right side being a mirror image of the left side; and,  
FIG. 4 is a rear view thereof.

The broken lines shown in FIGS. 1-4 is for illustrative purposes only and forms no part of the claimed design.

1 Claim, 2 Drawing Sheets

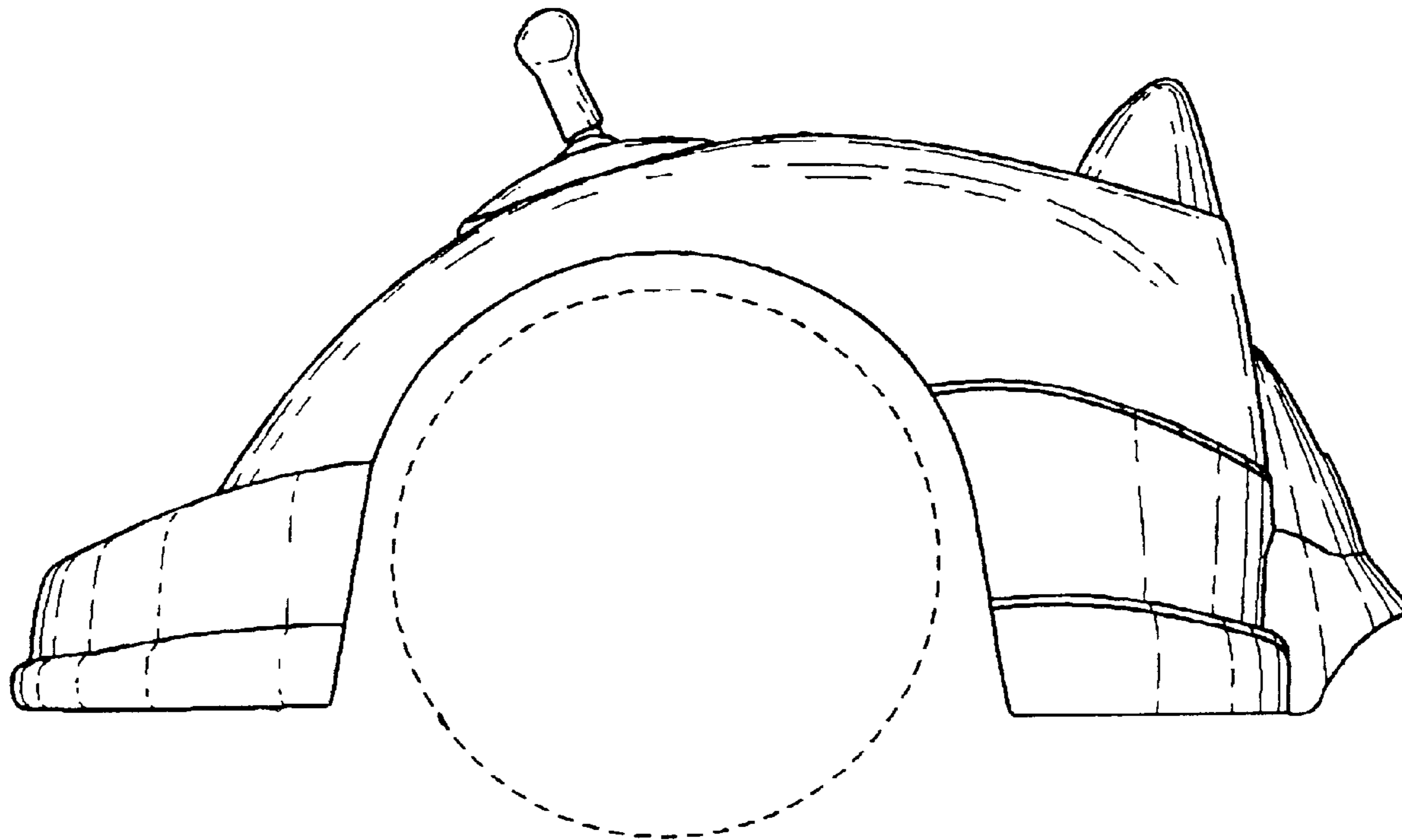


Fig. 1

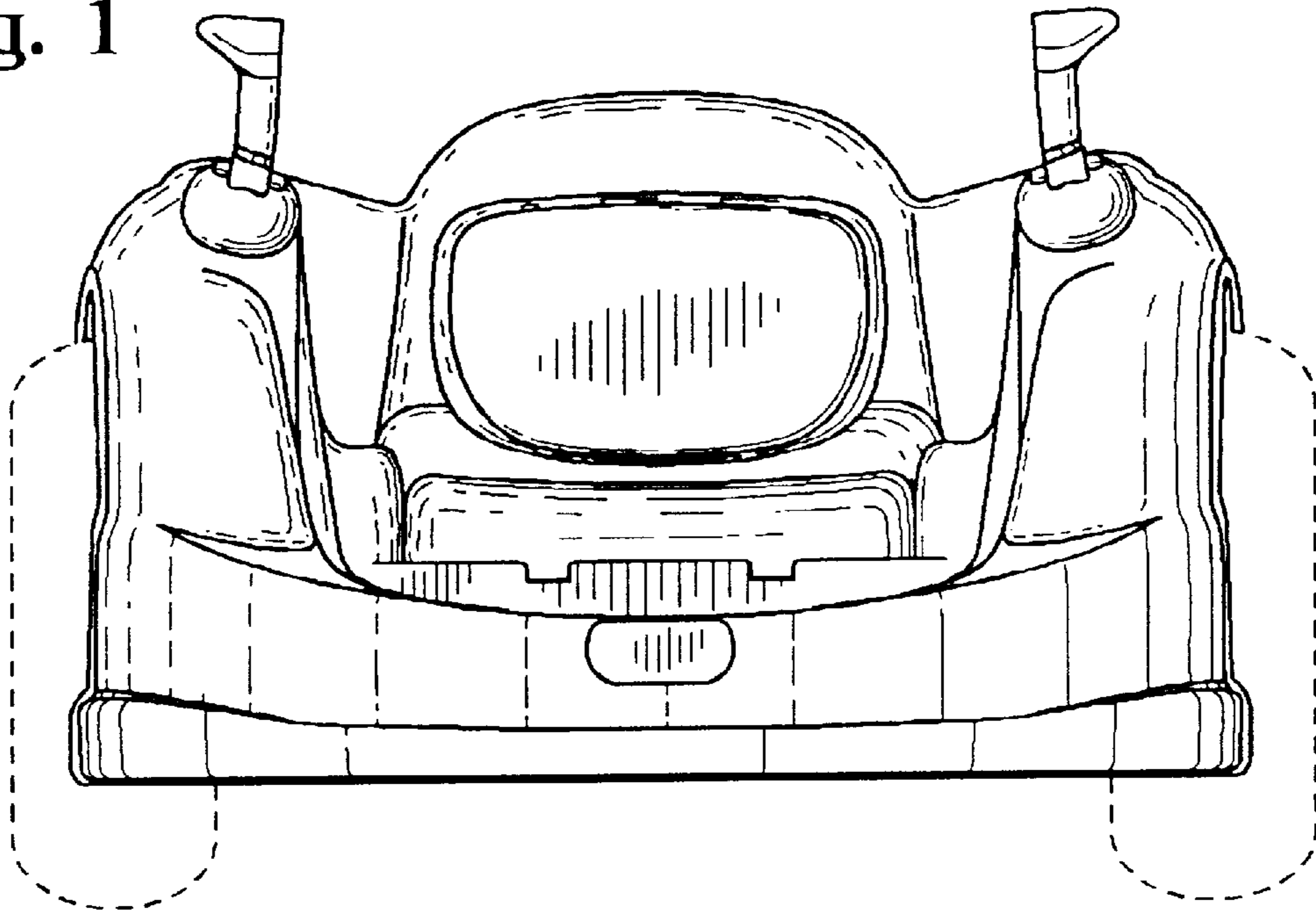


Fig. 2

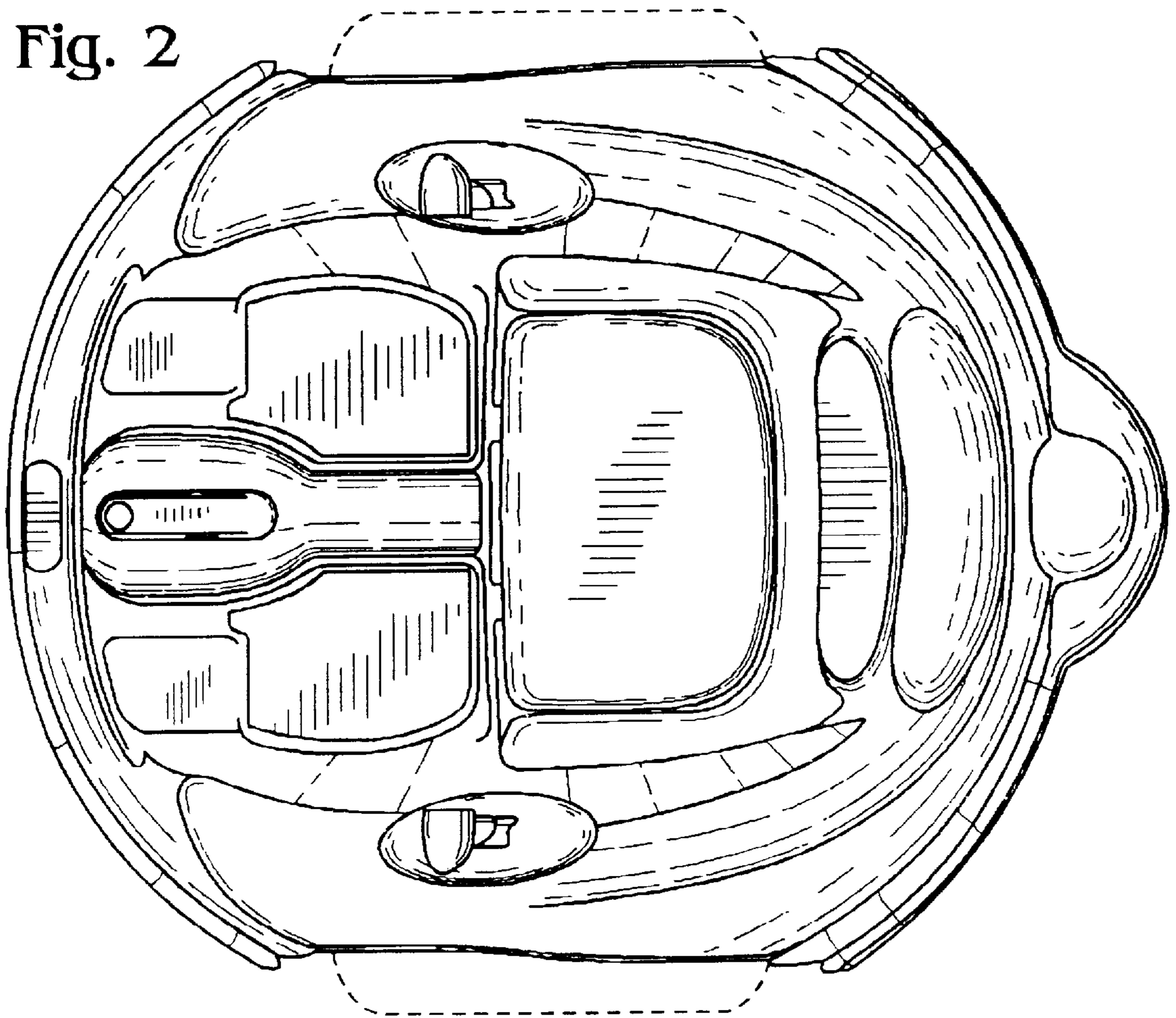


Fig. 3

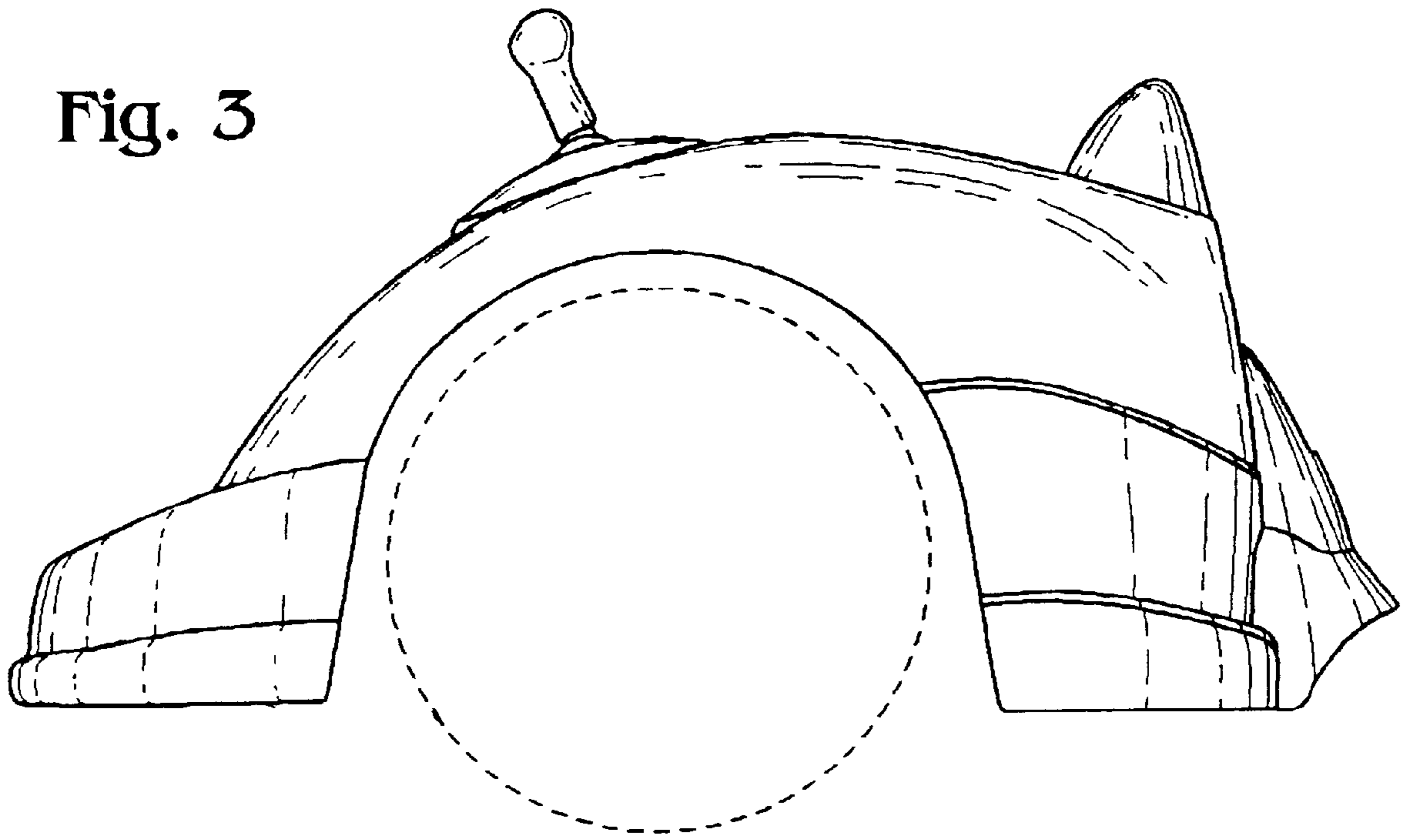


Fig. 4

