



US00D418545S

United States Patent [19] Cassel

[11] **Patent Number: Des. 418,545**
[45] **Date of Patent: ** Jan. 4, 2000**

[54] **HIGH STRENGTH SNOWBOARD**

[76] Inventor: **Donald Cassel**, 225 Monte Griggio Dr., Pacific Palisades, Calif. 90272

[**] Term: **14 Years**

[21] Appl. No.: **29/070,168**

[22] Filed: **May 1, 1997**

[51] **LOC (7) Cl.** **21-02**

[52] **U.S. Cl.** **D21/229**

[58] **Field of Search** D21/228, 229;
280/602, 607, 609, 610, 617

5,342,077	8/1994	Abondance .
5,366,234	11/1994	Rohrmoser .
5,393,085	2/1995	Forneri .
5,427,401	6/1995	Liard .
5,462,304	10/1995	Nyman .
5,499,836	3/1996	Juhasz .
5,511,815	4/1996	Karlsen .
5,514,018	5/1996	Hara .
5,538,272	7/1996	Peart .
5,553,884	9/1996	Abondance .
5,560,632	10/1996	Gauer .
5,573,264	11/1996	Deville et al. .

Primary Examiner—Kay H. Chin

[57] **CLAIM**

The ornamental design for a high strength snowboard, as shown and described.

[56] **References Cited**

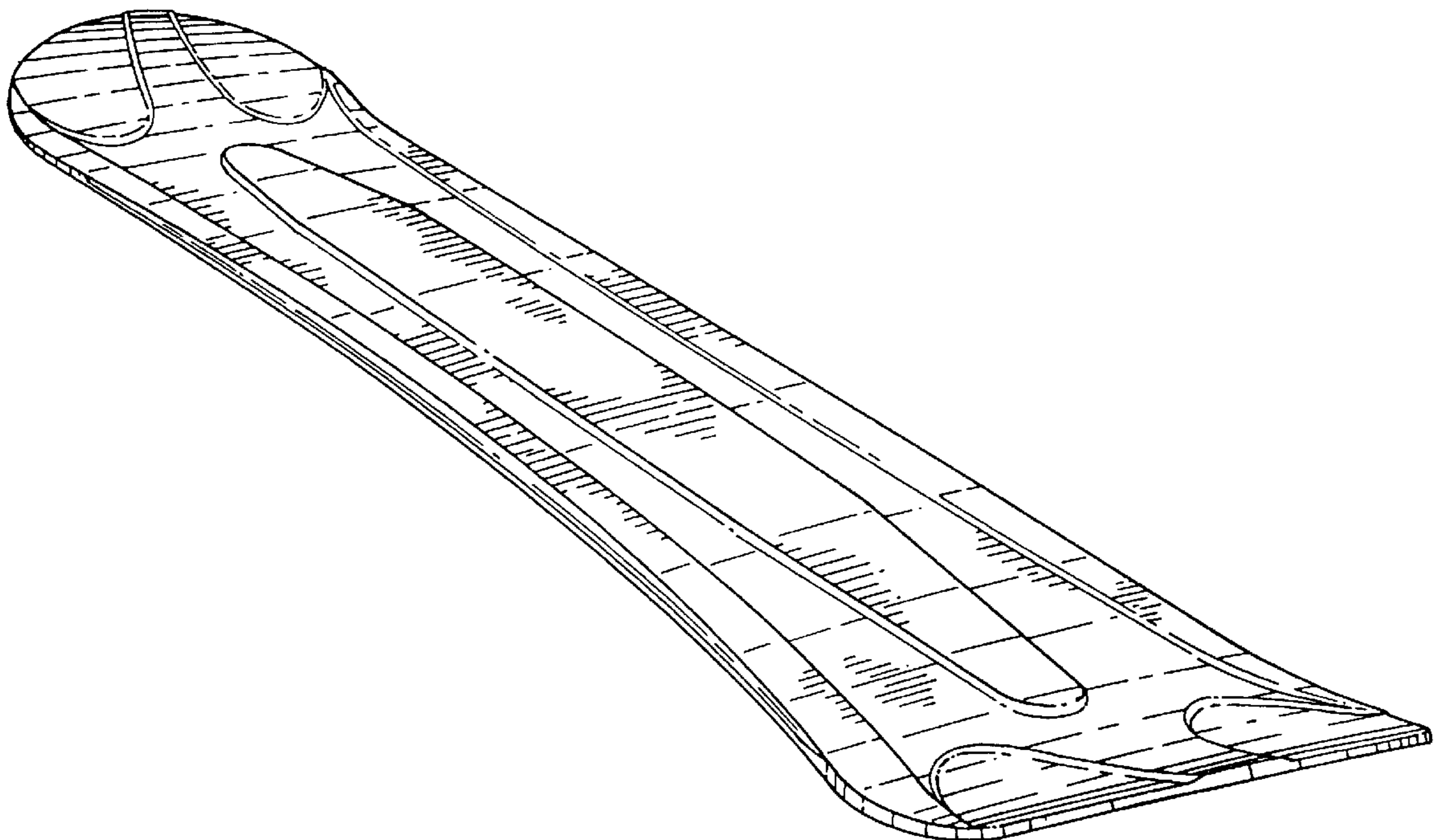
U.S. PATENT DOCUMENTS

D. 255,820	7/1980	Borden et al. .	
D. 308,239	5/1990	Olivier	D21/229
D. 376,561	12/1996	Sloss	D21/228
2,695,178	11/1954	Rheinfrank, Jr. .	
3,201,138	8/1965	Brown, Jr. .	
4,071,264	1/1978	Legrand et al. .	
4,147,377	4/1979	Plenk .	
4,305,603	12/1981	Muller et al. .	
4,405,139	9/1983	Kawahard .	
4,697,820	10/1987	Hayashi et al. .	
4,838,572	6/1989	Diard .	
4,848,784	7/1989	Scherubl .	
4,869,523	9/1989	Diard .	
4,953,884	9/1990	Diard .	
4,974,868	12/1990	Morris .	
5,002,301	3/1991	Cagneux et al. .	
5,018,760	5/1991	Remondet .	
5,104,140	4/1992	Anderson .	
5,135,249	8/1992	Morris .	
5,335,931	8/1994	Lacroix et al. .	
5,340,144	8/1994	Eleneke .	

DESCRIPTION

FIG. 1 is a perspective view of my high strength snowboard;
 FIG. 2 is an end view thereof;
 FIG. 3 is a top plan view thereof;
 FIG. 4 is a left side view, the right side being a mirror image thereof;
 FIG. 5 is a bottom view thereof;
 FIG. 6 is a cross-sectional view taken along lines 6—6 of FIG. 3 thereof;
 FIG. 7 is a cross-sectional view taken along lines 7—7 of FIG. 3 thereof;
 FIG. 8 is a top plan view of a second embodiment of the high strength snowboard;
 FIG. 9 is a top plan view of a third embodiment of the high strength snowboard; and,
 FIG. 10 is a top plan view of a fourth embodiment of the high strength snowboard.

1 Claim, 4 Drawing Sheets



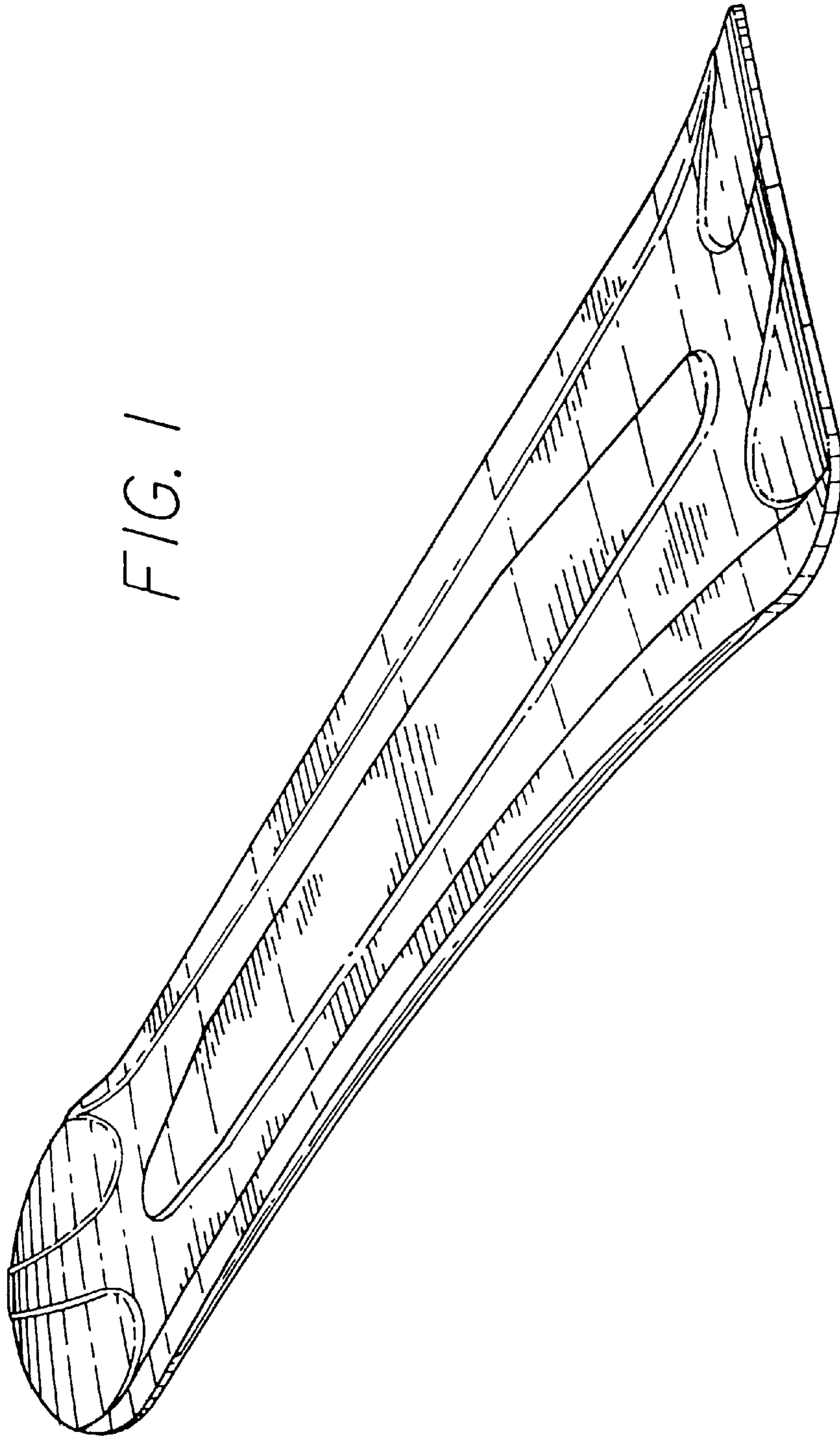


FIG. 1



FIG. 2



FIG. 4

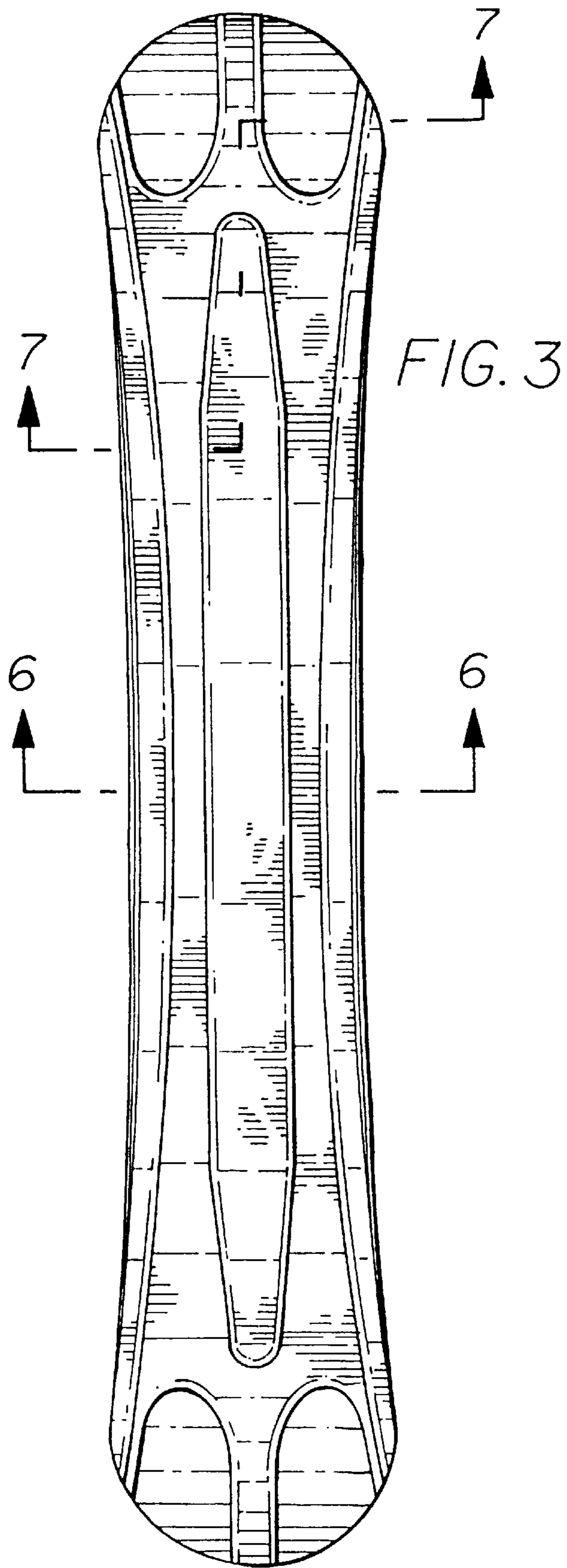


FIG. 3

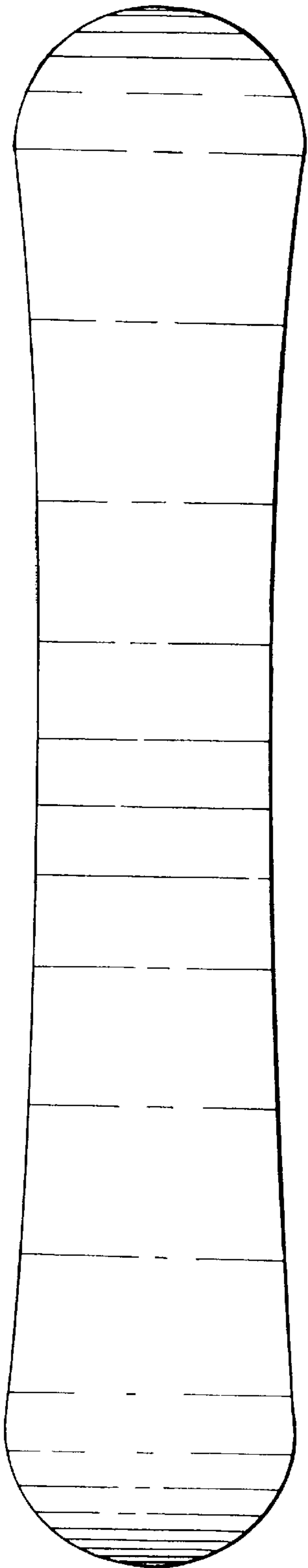


FIG. 5

FIG. 6



FIG. 7



FIG. 8

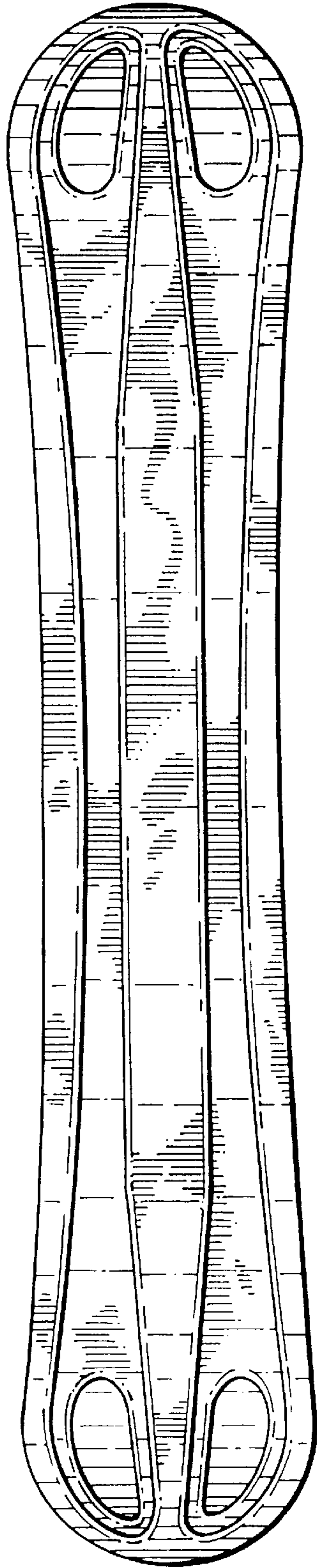


FIG. 10

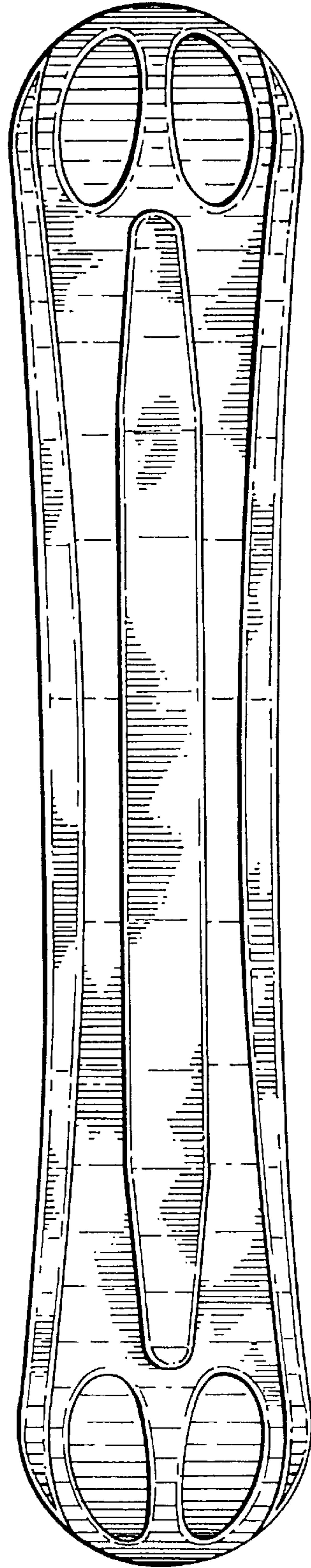


FIG. 9

